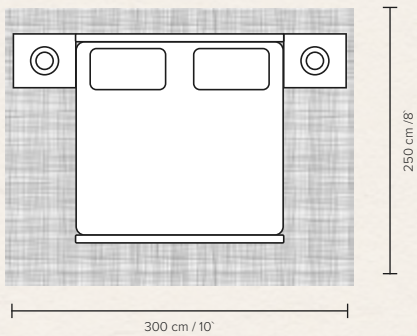
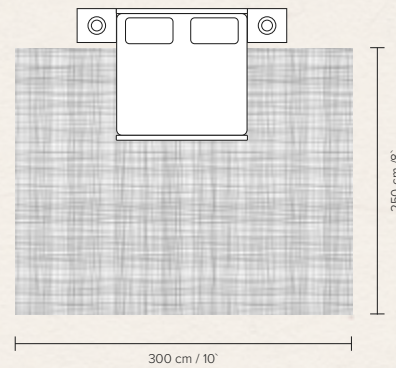


Rug Size & Placement

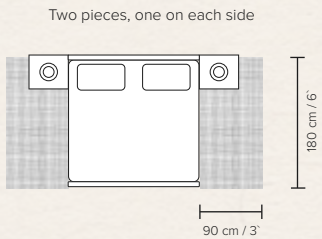
Best for a Standard Room



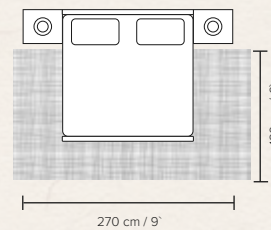
Best for a Large Room



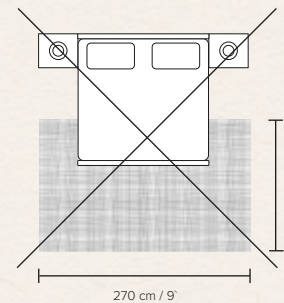
Best on a Budget



Best for a Small Room



Do Not's



bedroom

Whether to highlight the focal point of the room or to add decor, the right rug will bring more atmosphere to your interior design.

Rugs in the bedroom enhance the style, provide a cushion underfoot and soften the sounds.

The layout of your bedroom and your budget can guide you to choose the correct size.

VOLVER

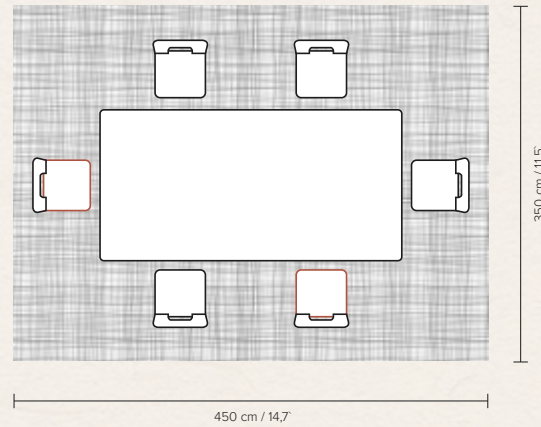
dining & meeting room

Rugs are an easy, warm way to warm up your dining or meeting room. Rugs also protect your flooring.

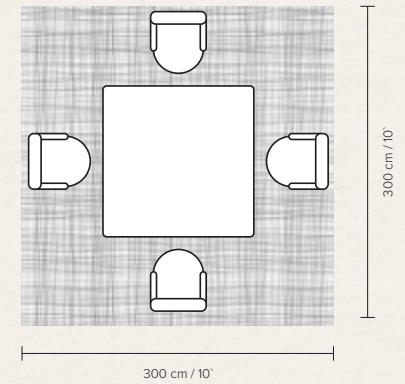
For rugs under the tables and chairs, we recommend to extend the size at least 60 cm / 24 inches beyond the chairs to accommodate moving in and out from the table. When in doubt, go for the larger size.

To determine the shape of the rug, consider the shape of your table and dynamics of the room. You may consider a round shape to diversify the arrangement of the furnishing.

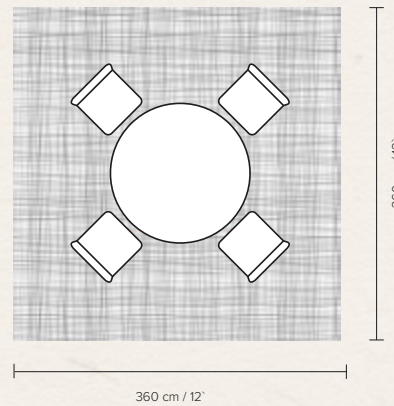
Rectangular Table



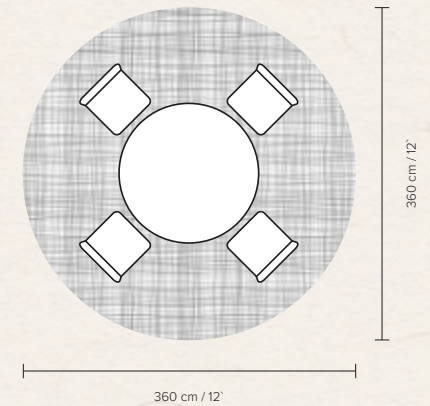
Square Table



Round Table



Round Table / Round Rug



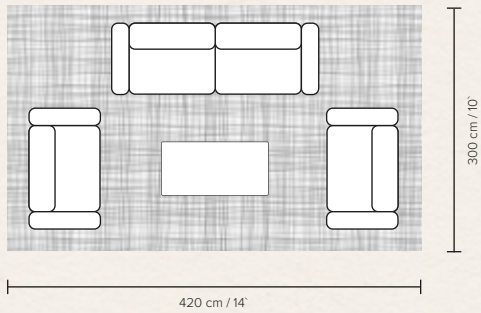
living room & lounge

As a general rule, your area rug should be about the size of your seating area.

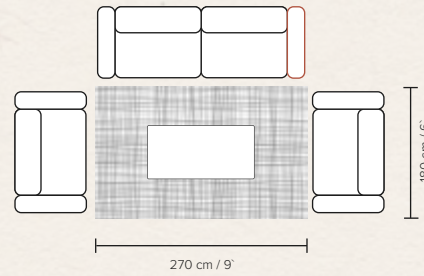
We recommend a larger rug. It will visually expand your room.

If you're working with furniture that is not placed against a wall, orient the rug with the shape of the room to help create visual flow and make the room appear larger.

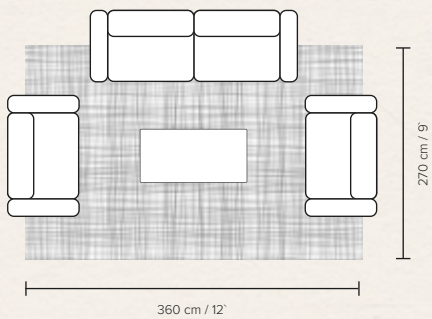
Unified



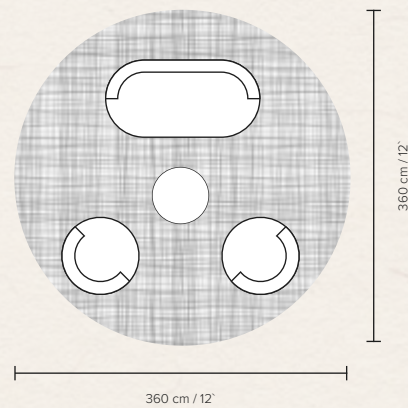
All Legs Off



Front Legs On



Round



VOLVER

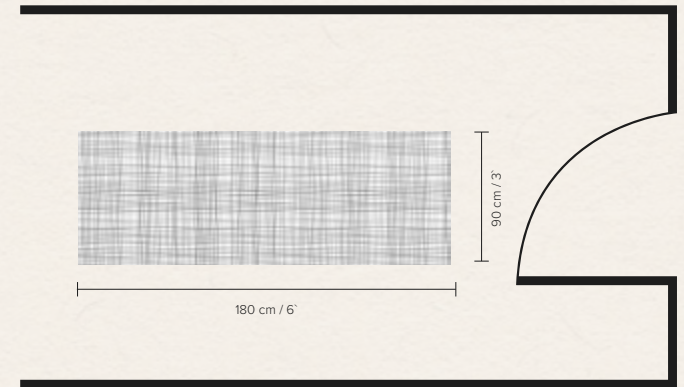
hallway

Rugs are an easy, warm way to warm up your dining or meeting room. Rugs also protect your flooring.

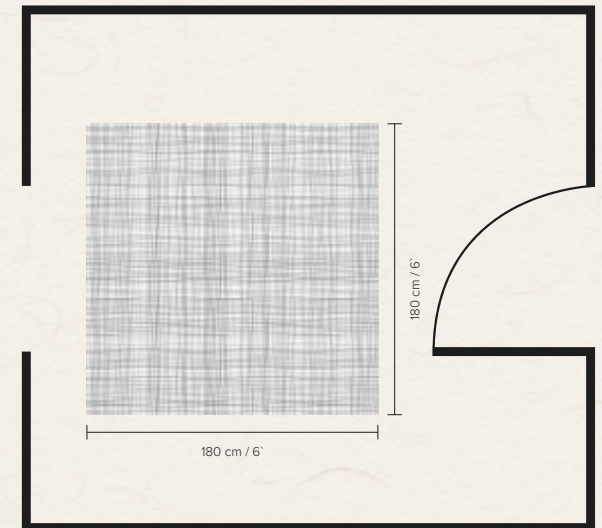
For rugs under the tables and chairs, we recommend to extend the size at least 60 cm / 24 inches beyond the chairs to accommodate moving in and out from the table. When in doubt, go for the larger size.

To determine the shape of the rug, consider the shape of your table and dynamics of the room. You may consider a round shape to diversify the arrangement of the furnishing.

Runner Rugs



Area Rugs



VOLVER STUDIOS

www.volverstudios.com
contact@volverstudios.com
T +47 99 03 82 82
Oslo, Norway