



Birlea

Suppliers of inspiration

Assembly Instructions

Thank you for purchasing a Birlea product.

For a chance to win a Love 2 Shop voucher simply post a picture of your new product on your preferred social channels tagging Birlea Furniture and using the hashtag #ShareYourStyle and #Birlea. One winner will be selected at random each month.

To view our full terms and conditions please visit our website. www.birlea.com

Are you happy with your purchase?

Yes: That's great, we would love to hear more from you. Please leave us a review on our social media channels or Trustpilot. Your feedback will be greatly appreciated.

No: If for any reason there is something missing, indifferent or incorrect with your order, please contact the retailer you purchased the item from. We will work with the retailer to resolve your issue as quickly as possible.



www.birlea.com



Birlea

Suppliers of inspiration

Assembly Video

For a step by step guide on how to build our Lynx 3 Drawer Bedside visit our YouTube channel 'BirleaFurnitureLtd' or alternatively scan the QR code on your smart phone.



How to scan a QR code from an apple device

Step One: Open up the camera app

Step Two: Hold the device's camera up to the QR code

Step Three: Your Apple device will automatically recognise the QR code and provide you with a link to the video.

How to scan a QR code from an android device

Step One: Download the QR Code reader application from the Play Store.

Step Two: Open the QR code application and open the camera.

Step Three: Your Android device will automatically recognise the QR code and provide you with a link to the video.

How to scan a QR code from a Window's device

Step One: Open up the camera app

Step Two: Hold the device's camera up to the QR code

Step Three: Your Window device will automatically recognise the QR code and provide you with a link to the video.

Please ensure that you device is up to date with the latest operating system.



Birlea

Suppliers of inspiration

Vendor: S000139



ASSEMBLY INSTRUCTIONS LYNX 3 DRAWER BEDSIDE

IMPORTANT: READ THESE INSTRUCTIONS CAREFULLY BEFORE ATTEMPTING TO ASSEMBLE OR USE YOUR LYNX 3 DRAWER BEDSIDE.

PLEASE KEEP THESE INSTRUCTIONS FOR FUTURE REFERENCE.

ASSEMBLY:

Assembly should be carried out with this item laying flat, not standing upright.

Assemble on a soft, clean surface to prevent damages.

To remove the printed numbers on the pieces, use the eraser provided.

HEALTH & SAFETY:

DO NOT use this bedside if any parts are missing, damaged or worn.

DO NOT use this bedside unless all fixings are secured.

Always use on a level, even surface.

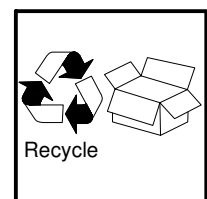
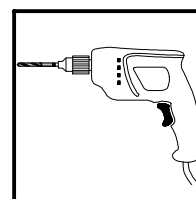
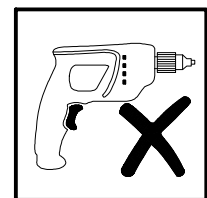
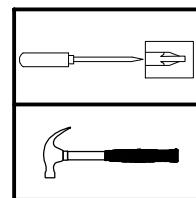
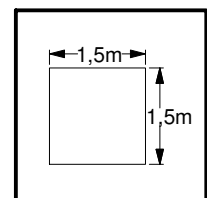
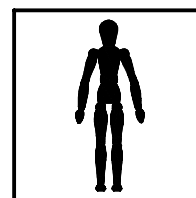
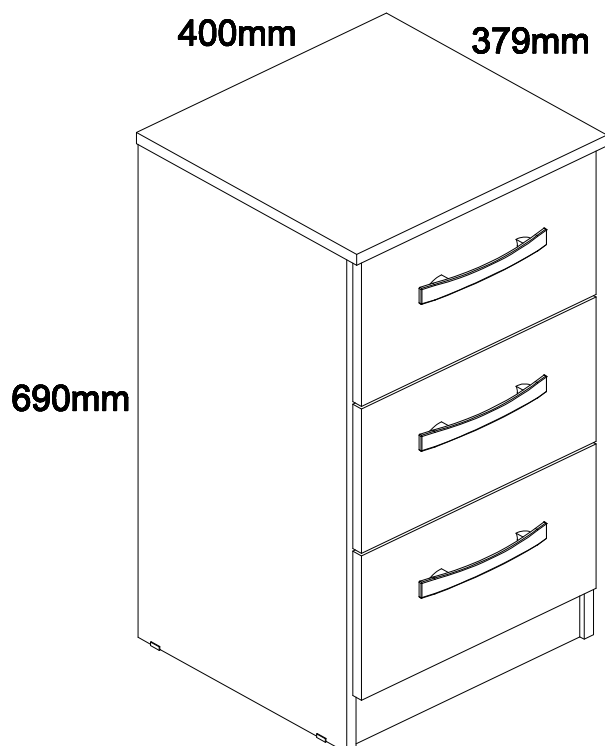
CARE & MAINTENANCE:

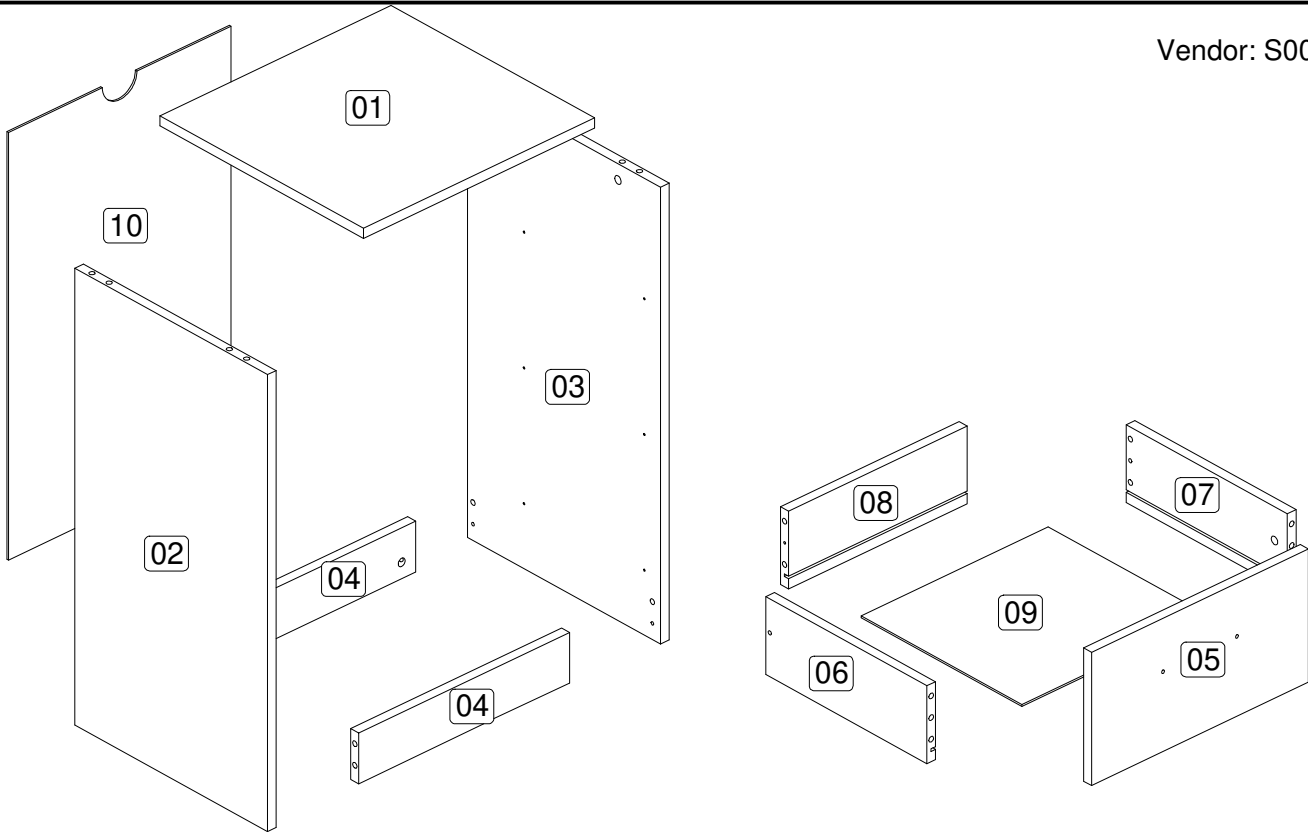
Periodically check all screws & fixings to ensure they are secure.


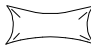
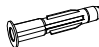
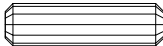


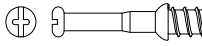





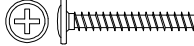

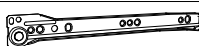
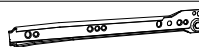


DO NOT push the bedside as this will damage the base.

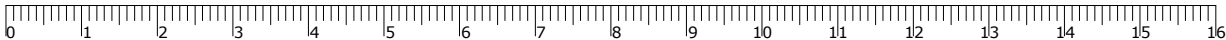
Always lift the bedside with two people to reposition.

Keep any sharp objects away from the bedside.



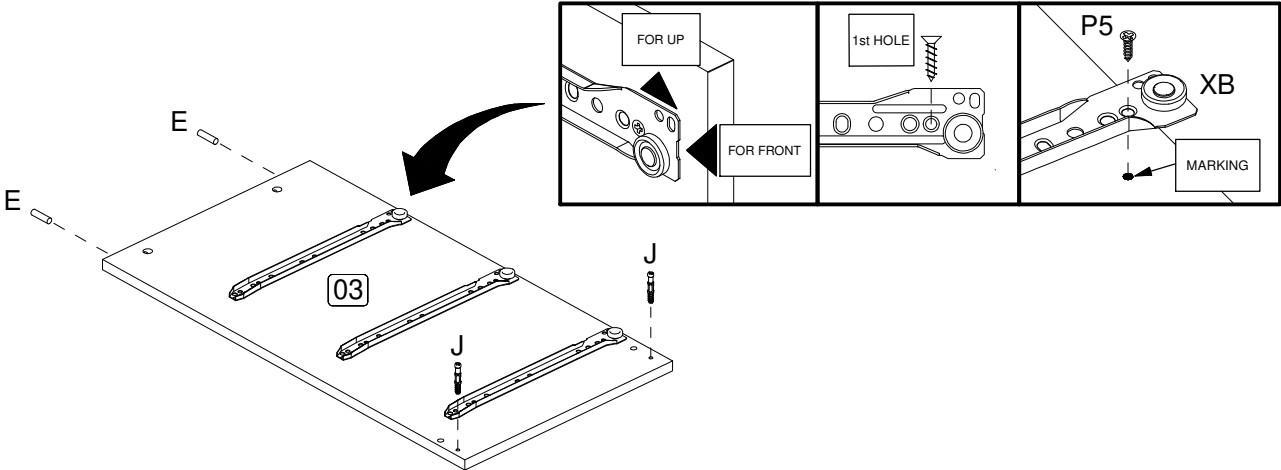


Parts List			Hardware List		
Part	Description	Qty	Part	Description	Qty
01	Top Panel	1	A	5 x 60 mm Screw 	1
02	Left Panel	1	A1	Glue 	1
03	Right Panel	1	B3	Bushing 	1
04	Plinth	2	E	8 x 30mm Wooden Dowel 	32
05	Drawer Front	3	E7	Small Plastic Foot 	4
06	Left Drawer Panel	3	E9	Strap 	1
07	Right Drawer Panel	3	J	Simple Minifix Screw 	14
08	Drawer Back	3	L	Cam Lock 	14
09	Drawer Base	3	M	Plastic Cap 	6
10	Back Panel	1	N	10 x 10mm Tack 	22
<p>** You will need a small mallet and a screwdriver for assembly.</p> <p>** Some screws and wooden dowel may remain.</p> <p>** Wall plug and screw is supplied to attach strap to the wall.</p>			O	4.5 x 45mm Screw 	6
			P5	3,5 x 14mm Screw 	25
			T	3.5 x 25mm Screw 	6
			W2	Handle 	3
			XA	Metallic slide the left field 	3
			XB	Metallic slide the right field 	3
			XC	Drawer slide left 	3
			XD	Drawer slide right 	3



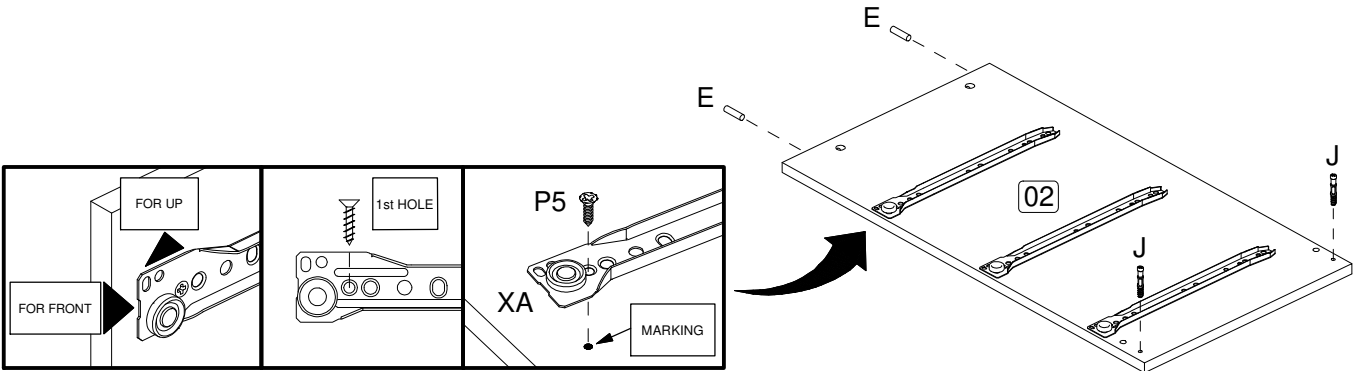
Step 1: Attach the metallic slide (XB) to the right panel (3) using hardware part P5. Insert hardware part E using a small mallet (not provided) and the part J using screwdriver (not provided).

DO NOT use any power tools as this may damage the frame and will invalidate any claim.



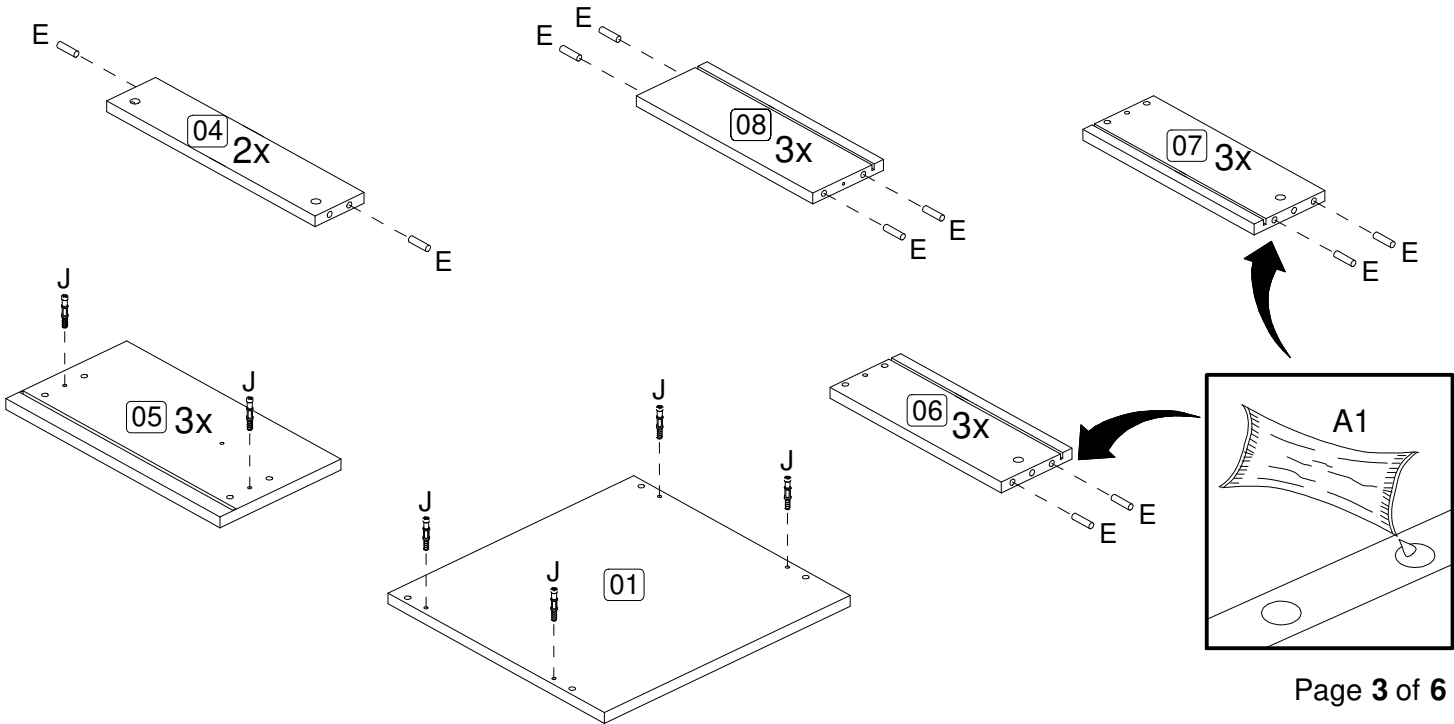
Step 2: Attach the metallic slide (XA) to the left panel (2) using hardware part P5. Insert hardware part E using a small mallet (not provided) and the part J using screwdriver (not provided).

DO NOT use any power tools as this may damage the frame and will invalidate any claim.



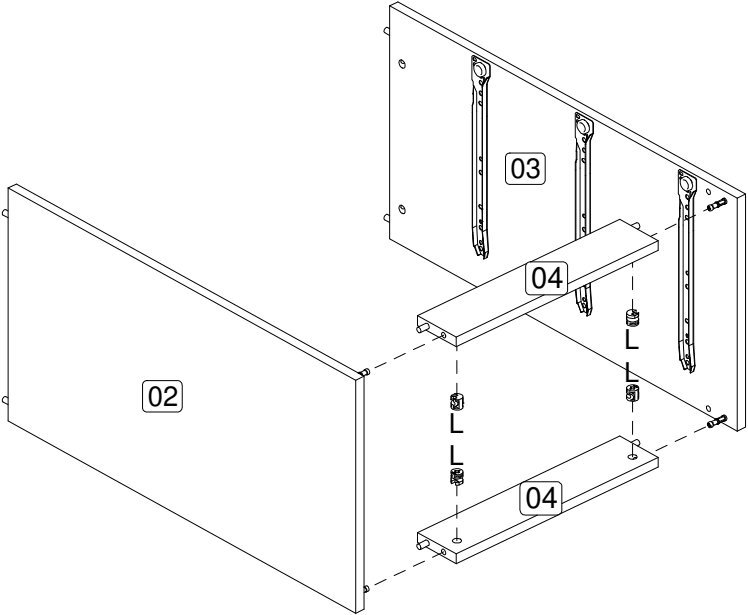
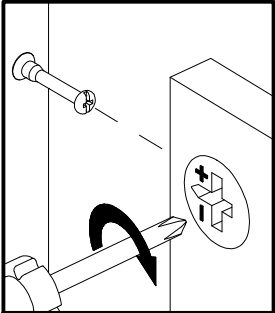
Step 3: Insert hardware parts E and J as shown using hardware part A1, a small mallet and a screwdriver (not provided).

DO NOT use any power tools as this may damage the frame and will invalidate any claim.



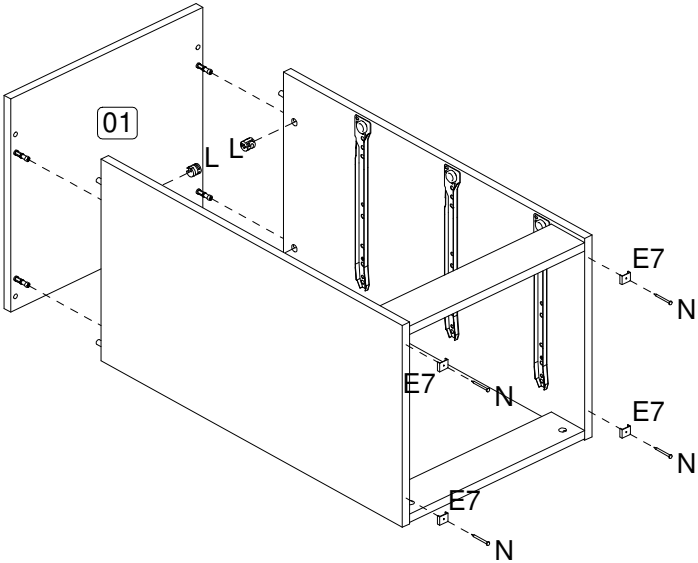
Step 4: Attach the left panel (2) and right panel (3) to the plinths (4) using hardware part L and a screwdriver (not provided).

DO NOT use any power tools as this may damage the frame and will invalidate any claim.



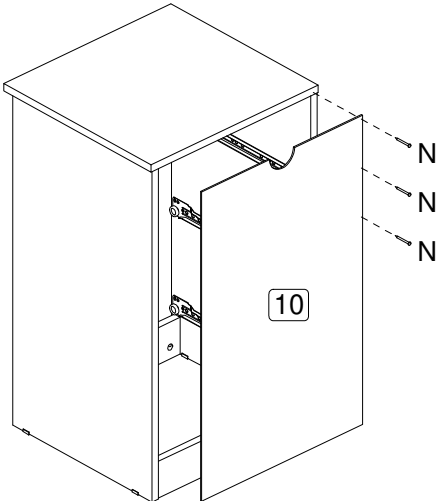
Step 5: Attach the top panel (1) using hardware parts L then attach hardware parts E7 to the base using hardware part N. You will need to use a screwdriver (not provided).

DO NOT use any power tools as this may damage the frame and will invalidate any claim.

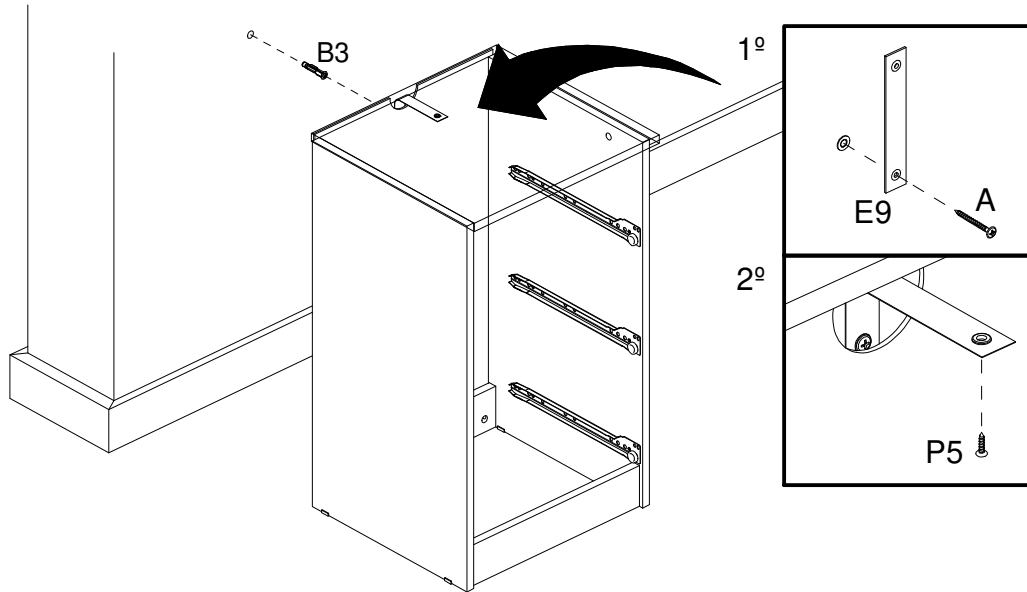


Step 6: Secure the back panel (10) using hardware part N and a small mallet (not provided).

DO NOT use any power tools as this may damage the frame and will invalidate any claim.

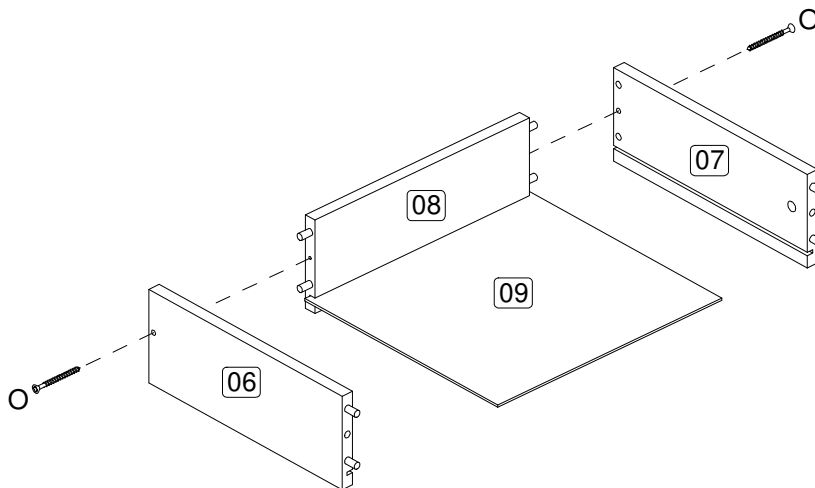


Step 7: To secure the item to the wall use hardware parts A, B3 and E9 using a drilling machine (not provided) and a screwdriver (not provided). Then attach hardware part P5 to the item with a screwdriver (not provided). **Birlea Furniture advise you use the wall straps provided to further enhance the safety of this product.**



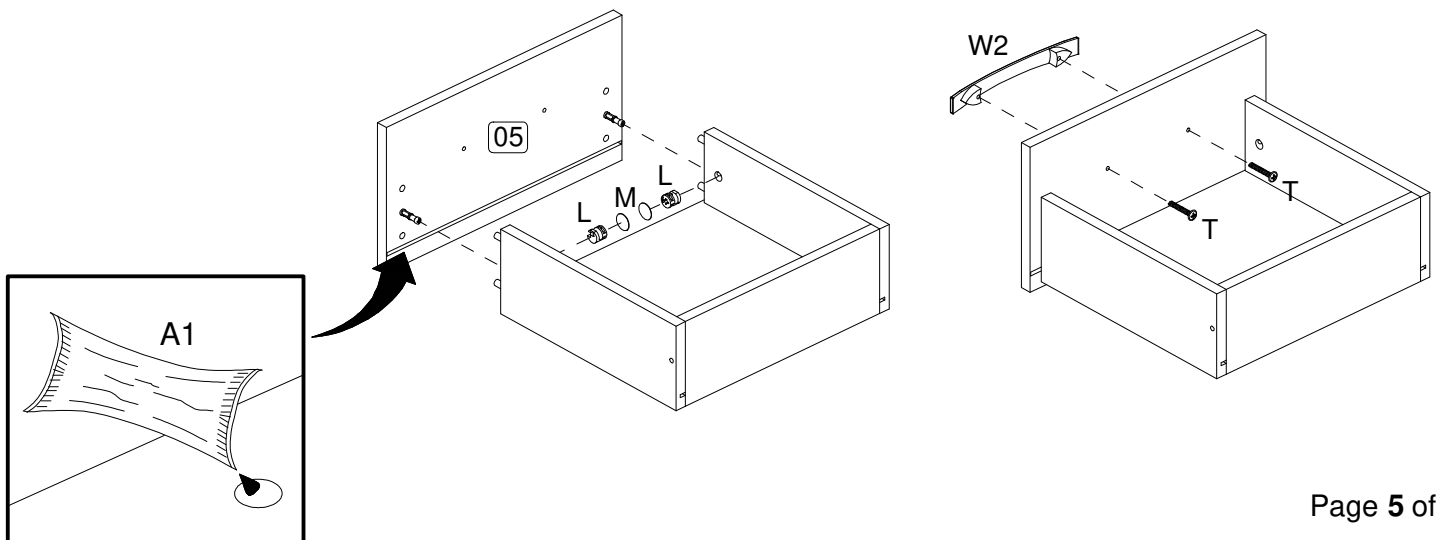
Step 8: Attach the left drawer panel (6) and right drawer panel (7) to the drawer back (8) and 9 using hardware part O and a screwdriver (not provided).

DO NOT use any power tools as this may damage the frame and will invalidate any claim.



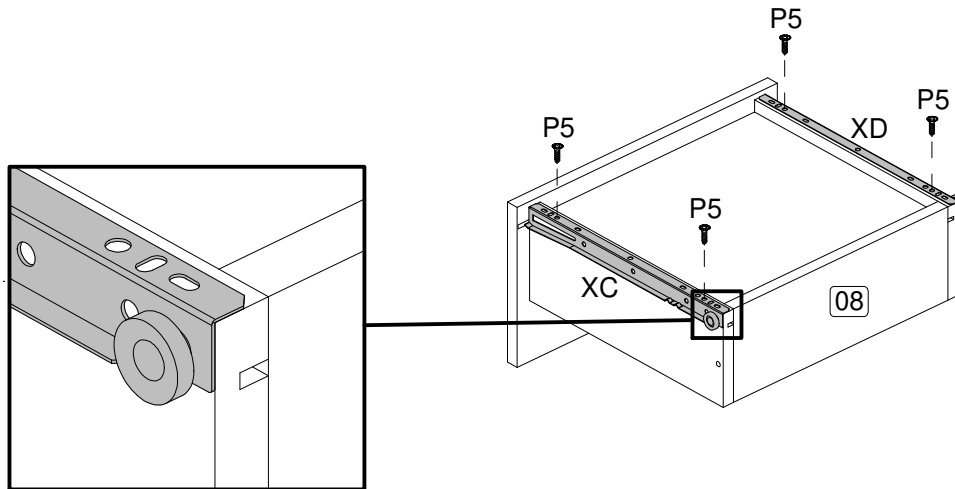
Step 9: Attach the drawer front (5) using hardware part A1, L and M with a screwdriver (not provided). Attach the handle W2 using hardware part T with a screwdriver (not provided).

DO NOT use any power tools as this may damage the frame and will invalidate any claim.

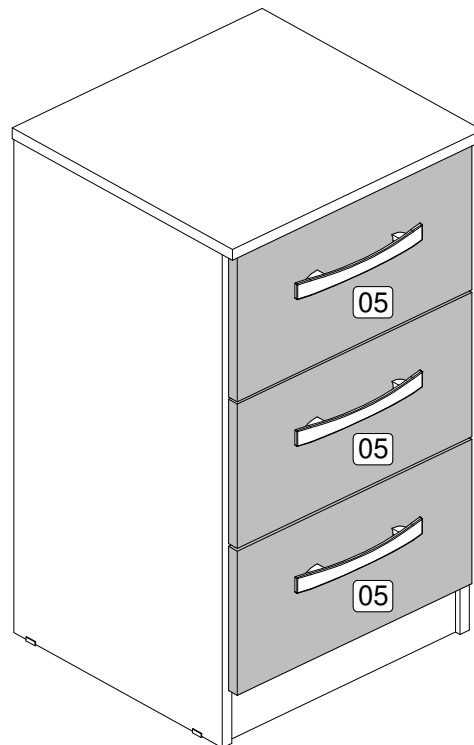
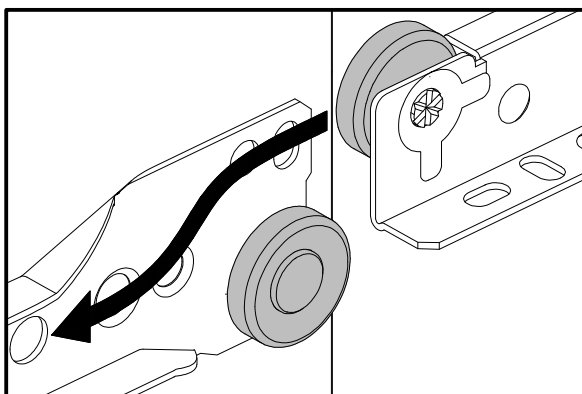


Step 10: Attach the drawer slide XC e XD in the underside of the drawer using hardware part P5 with a screwdriver (not provided).

DO NOT use any power tools as this may damage the frame and will invalidate any claim.



Step 11: Insert the drawers on the metallic slide as shown bellow.



Additional Information:

- For complete product information, images and dimension diagrams please visit the website www.birlea.com
- If you have any issues with your item please contact the retailer directly you purchased it from who will be able to resolve any issues with Birlea.
- Why don't you send us photos of your assembled furniture to info@birlea.com to be shared in our #birleahome feature on Instagram.



Birlea

Suppliers of inspiration