

ASSEMBLY INSTRUCTIONS **EMILY 4'6" BED**

IMPORTANT: READ THESE INSTRUCTIONS CAREFULLY BEFORE ASSEMBLING OR USING YOUR EMILY 4'6" BED FRAME.

PLEASE KEEP THESE INSTRUCTIONS FOR FUTURE REFERENCE.

HEALTH & SAFETY :

DO NOT jump on this bed frame.
DO NOT use this bed frame if any parts are missing, damaged or worn.
DO NOT use this bed frame unless all fixings are secured.
Please keep small parts out of reach of children.
Always use on a level, even surface.

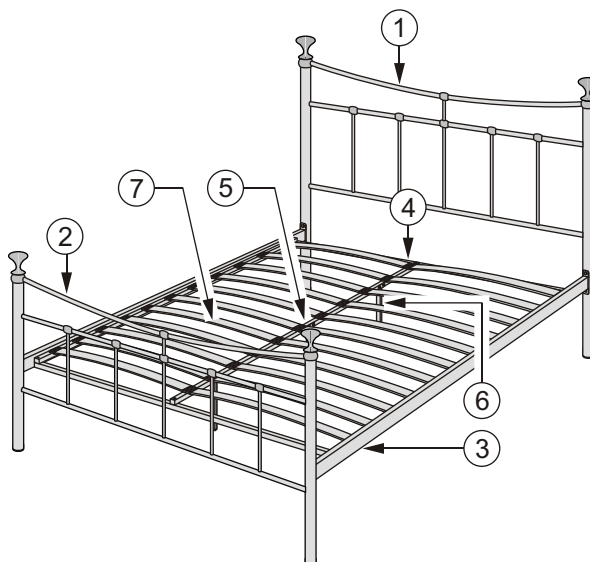
WARNING: If this bed is placed on a non-carpeted floor you must place some protection under all legs to stop the bed frame from moving. If this is not adhered to there is no guarantee if the bed frame collapses.

CARE & MAINTENANCE:

Assemble in the room of use.
Periodically check all screws & fixings to ensure they are secure.
DO NOT push the bed frame as this will damage the legs.
Always lift the bed with two people to reposition.
Keep any sharp objects away from the frame.

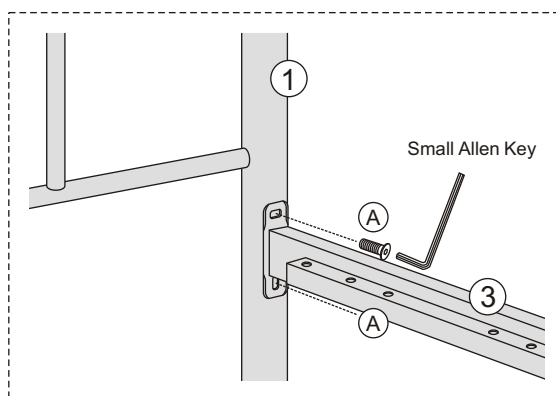


www.birlea.com

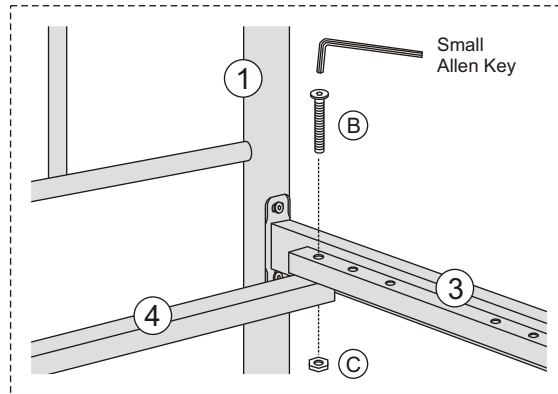


Part List				Hardware List (found in box 1)		
Part	Description	Box	Qty	Part	Description	Qty
1	Headend	1	1	A	M6 x 16mm JCBC Screw	8
2	Footend	1	1	B	M6 x 50mm JCBC Screw	4
3	Side Support	2	2	C	M6 Nut	10
4	Side Frame	2	2	D	M6 x 35mm JCBC Screw	6
5	Mid Support	2	1	E	Double Slat Cap	11
6	Base Leg	1	3	F	Single Slat Cap	22
7	Slat	3	22	G	Finial	4
**M4 Allen Key & M5 Allen Key provided				H	M8 x 50mm JCBC Screw	2
				I	M8 Nut	2

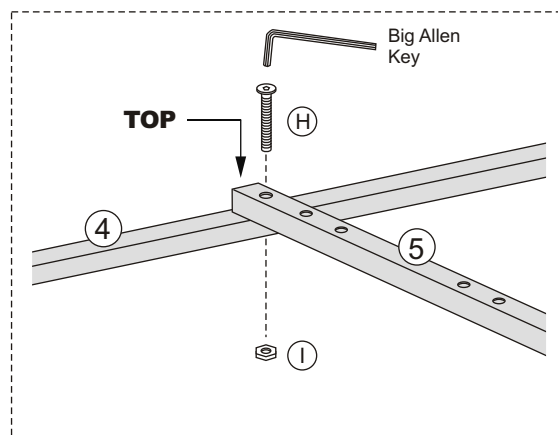
Step 1: Fix the Side Support (3) to the Headend (1) and Footend (2) using hardware part (A) but do not fully tighten yet. **DO NOT use any power tools as this may damage the frame and will invalidate any claim.**



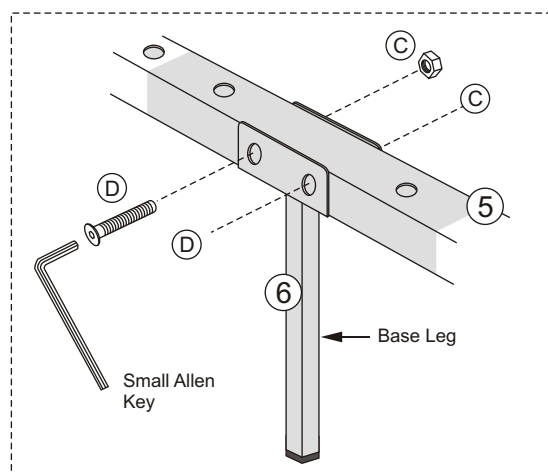
Step 2: Place the Side Frames (4) underneath the Side Supports (3) and secure using hardware parts (B) and (C).
DO NOT use any power tools as this may damage the frame and will invalidate any claim.



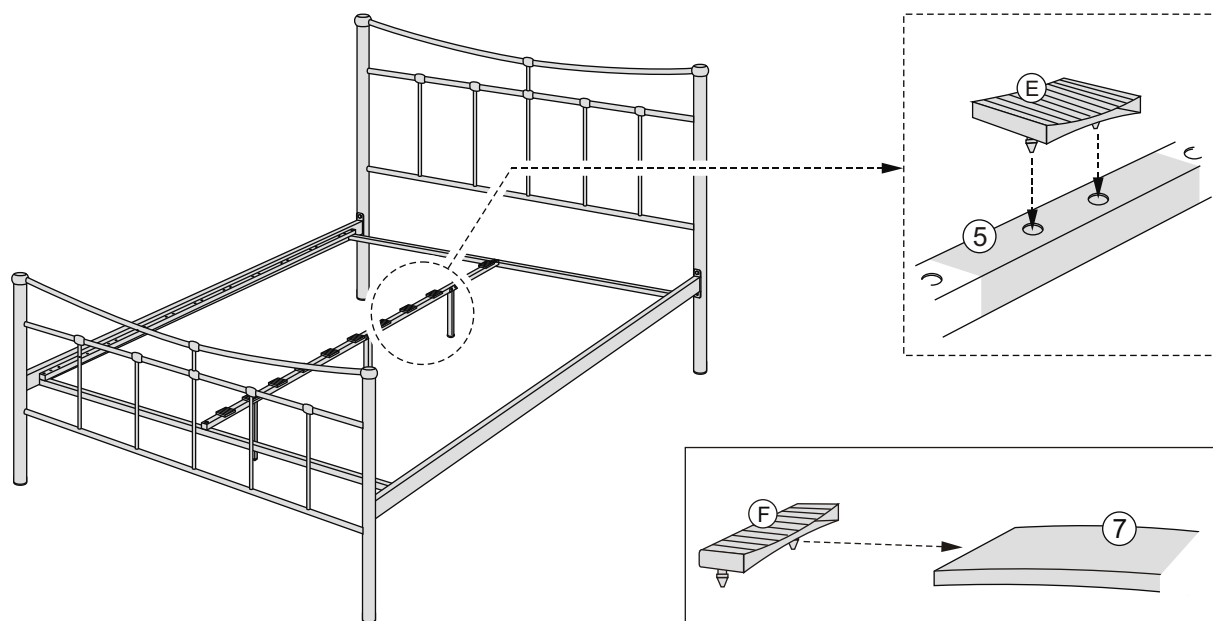
Step 3: Place the Mid Supports (5) **ON TOP** of the Side Frames (4) and secure using hardware parts (H) and (I).
DO NOT use any power tools as this may damage the frame and will invalidate any claim.



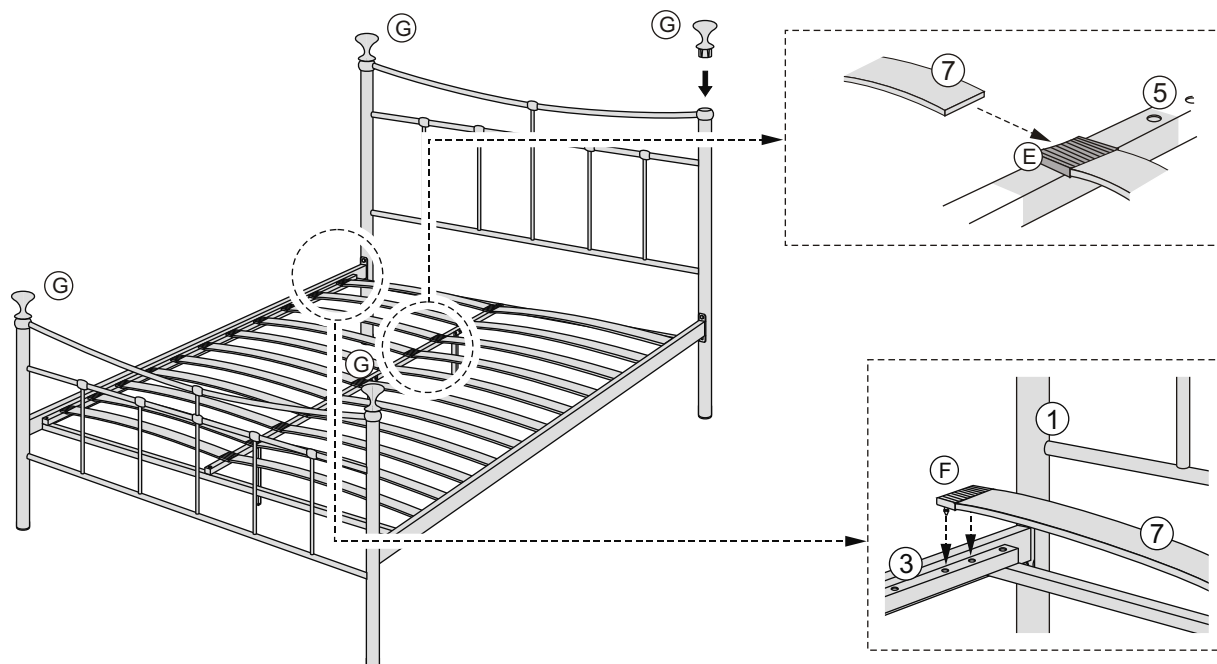
Step 4: Take the Base Leg (6) and fit to the Mid Support (5) according to the holes at the side using hardware parts (C) and (D).
DO NOT use any power tools as this may damage the frame and will invalidate any claim.



Step 5: Push hardware parts (E) into the Mid Support (5) then place hardware part (F) onto each Slat (7).
DO NOT use any power tools as this may damage the frame and will invalidate any claim.



Step 6: Slide the Slats (7) into hardware part (E) on the Mid Support (5) then push the ends into the Side Supports (3) firmly, insert hardware part (G) to the frame posts.
DO NOT use any power tools as this may damage the frame and will invalidate any claim.



Additional Information :

- For complete product information, images and dimension diagrams please visit the website www.birlea.com.
- If you have any issues with your item please contact the retailer directly you purchased it from who will be able to resolve any issues with Birlea.
- Why don't you send us photos of your assembled furniture to info@birlea.com to be shared in our [#birleahome](https://www.instagram.com/birleahome) feature on instagram.