



# Birlea

Suppliers of inspiration

Vendor: S000139



## **ASSEMBLY INSTRUCTIONS** **EDGEWARE 2 DOOR 2 DRAWER SIDEBOARD**

**IMPORTANT: READ THESE INSTRUCTIONS CAREFULLY BEFORE ASSEMBLING OR USING YOUR EDGEWARE 2 DOOR 2 DRAWER SIDEBOARD.**

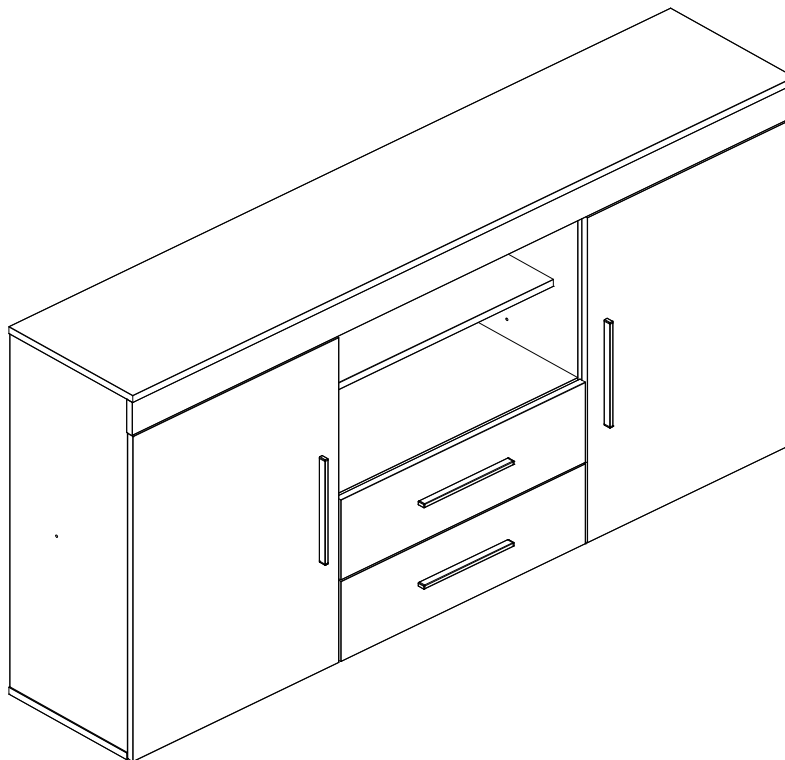
**PLEASE KEEP THESE INSTRUCTIONS FOR FUTURE REFERENCE.**

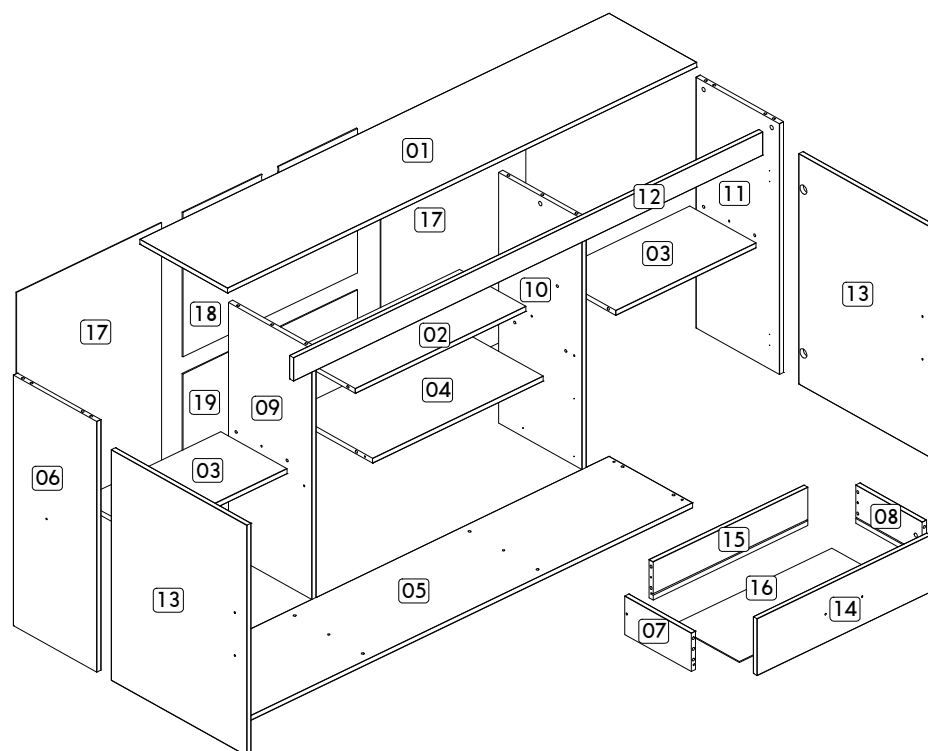
### **HEALTH & SAFETY:**



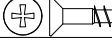
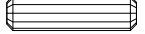


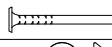






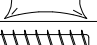
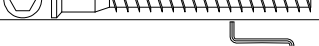


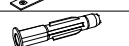
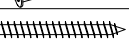



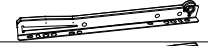



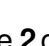
DO NOT use this item if any parts are missing, damaged or worn.  
DO NOT use this item unless all fixings are secured.  
Please keep small parts out of reach of children  
Always use on a level, even surface.

### **CARE & MAINTENANCE:**

Assemble in the room of use  
Assembly should be carried out with this item laying flat, not standing upright.  
Assemble on a soft, clean surface to prevent damages.  
To remove the printed numbers on the pieces, use the eraser provided  
Periodically check all screws & fixings to ensure they are secure.  
DO NOT push the item as this will damage the base.  
Always lift the item with two people to reposition.  
Keep any sharp objects away from the item.

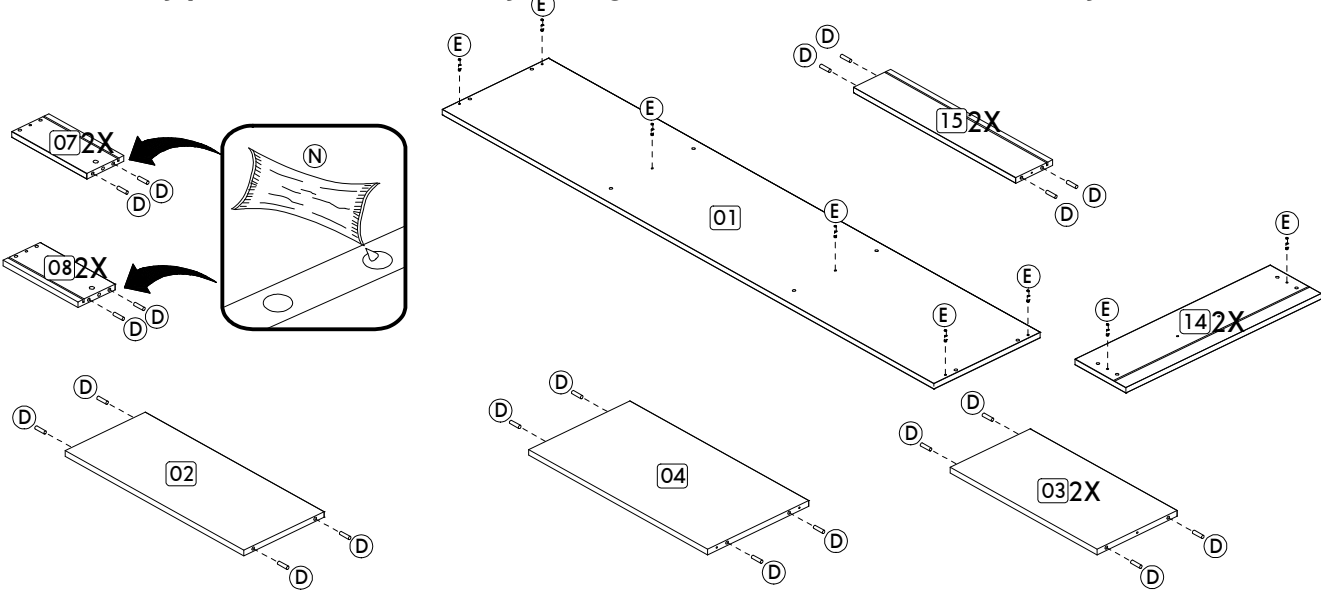




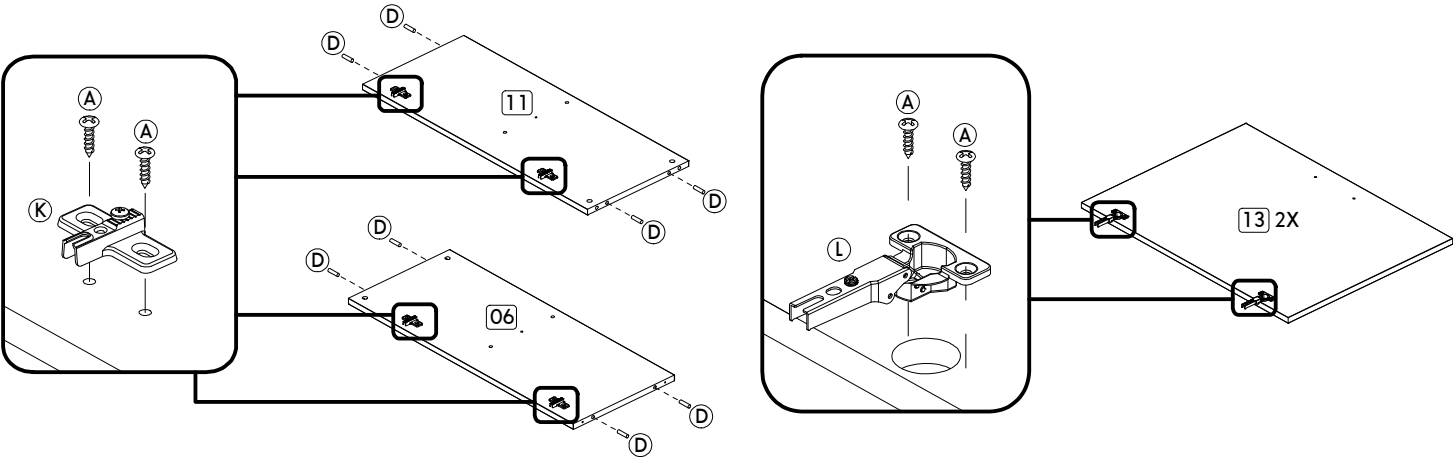
Parts List				Hardware List			
Part	Description	Box	Qty	Part	Description		Qty
1	Top Base	1	1	A	3,5 x 14 mm Screw		33
2	Center Shelf	1	1	B	3,5 x 25 mm Screw		8
3	Right/left Shelf	1	2	C	4,5 x 45 mm Screw		10
4	Drawer Base	1	1	D	8 x 30 mm Wooden Dowel		48
5	Bottom Base	1	1	E	Simple Minifix Screw		10
6	Left Side	1	1	F	Cam Lock		10
7	Left side Of drawer	1	2	G	10 x 10 mm Tack		59
8	Right Side Of Drawer	1	2	H	3,5 x 20 mm Screw		6
9	Left Divison	1	1	I	Plastic Foot		6
10	Right Division	1	1	J	Metal Bracket 46 mm		4
11	Right Side	1	1	K	Hinge Part 1		4
12	Frame	1	1	L	Hinge Part 2		4
13	Door	1	2	M	3,0 x 14 mm Screw		16
14	Drawer Front	1	2	N	Glue		1
15	Rear of drawer	1	2	O	Structural screw		8
16	Bottom of drawer	1	2	P	Allen Key		1
17	Side Backboard	1	2	Q	Handle		4
18	Center Top Backboard	1	1	R	Strap		1
19	Center Bottom Backboard	1	1	S	Bushing		1
				T	5 x 60 mm Screw		1
				U	Structural screw cover		8
				V	Metallic slide the left field		2
				W	Metallic slide the right field		2
				X	Drawer slide left		2
				Y	Drawer slide right		2
				Z	Bore patch adhesive		4
				A1	Metal claw		8

\*\* You will need a small mallet and a screwdriver for assembly.

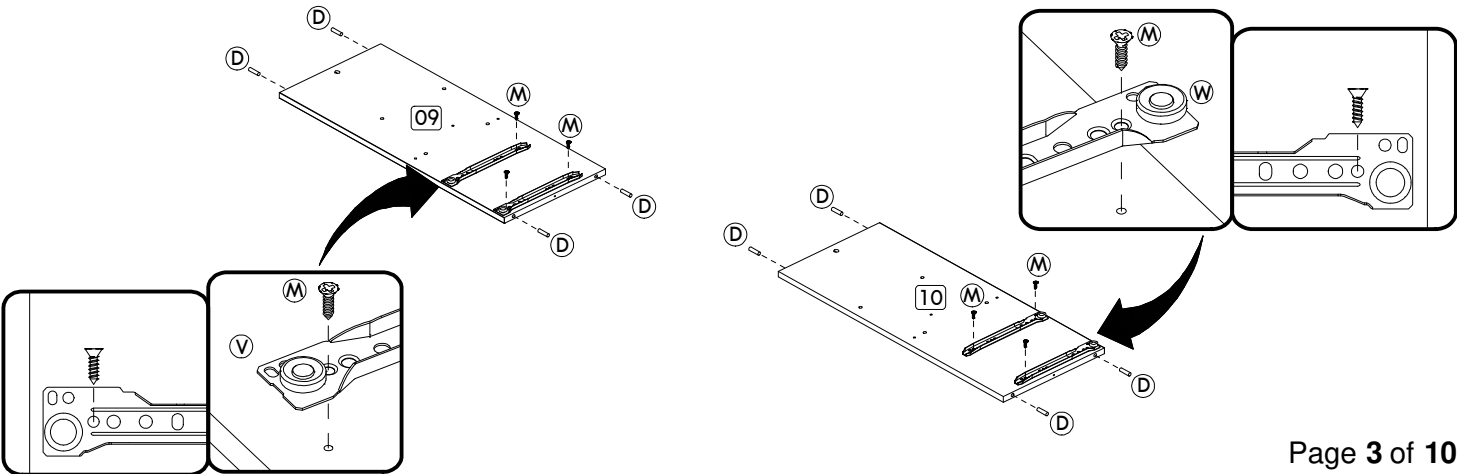
**Step 1:** Insert hardware parts D using small mallet (not provided), then attach hardware part E using a screwdriver (not provided), in the left side of drawer (7) and right side of drawer use hardware N. **DO NOT use any power tools as this may damage the frame and will invalidate any claim.**



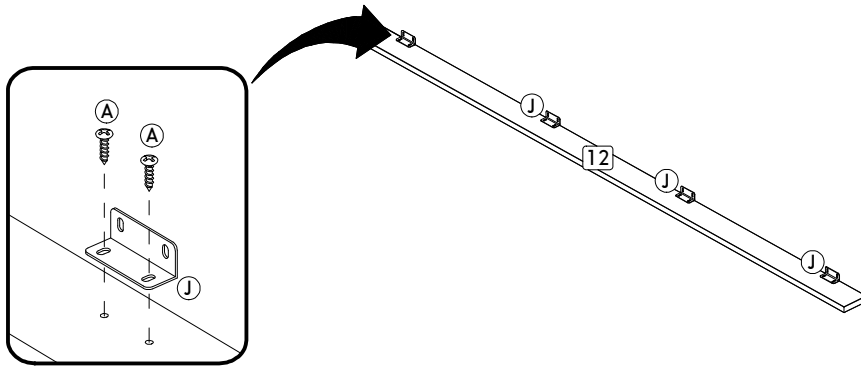
**Step 2:** Attach hardware part K to the left side (6) and the right side (11) using the hardware part A and a screwdriver (not provided), then attach hardware part L to the doors (13) using the hardware part A and a screwdriver (not provided). Insert the hardware part D to left side (6) and right side (11). **DO NOT use any power tools as this may damage the frame and will invalidate any claim.**



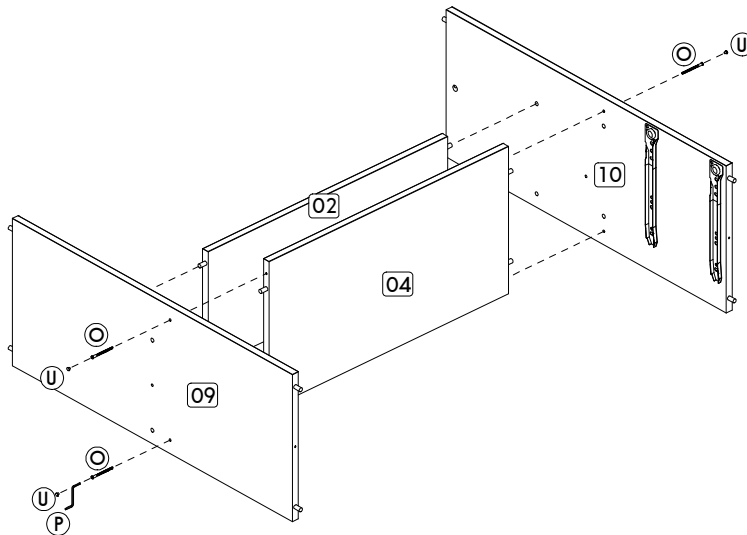
**Step 3:** Attach hardware part V to left division (9) and the hardware part W to the right division (10) using the hardware part M and a screwdriver (not provided), then attach the hardware part D using a small mallet (not provided). **DO NOT use any power tools as this may damage the frame and will invalidate any claim.**



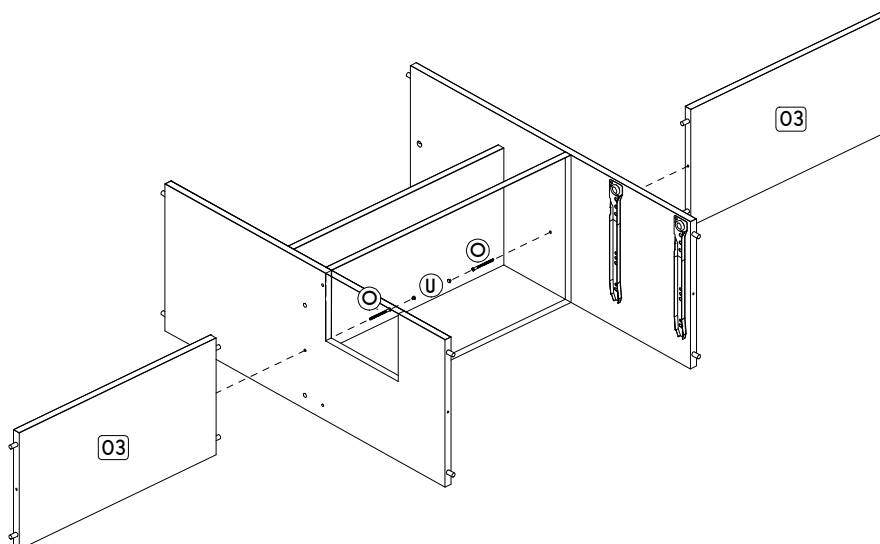
**Step 4:** Attach hardware part J to the frame (12) using hardware part A and a screwdriver (not provided).  
**DO NOT use any power tools as this may damage the frame and will invalidate any claim.**



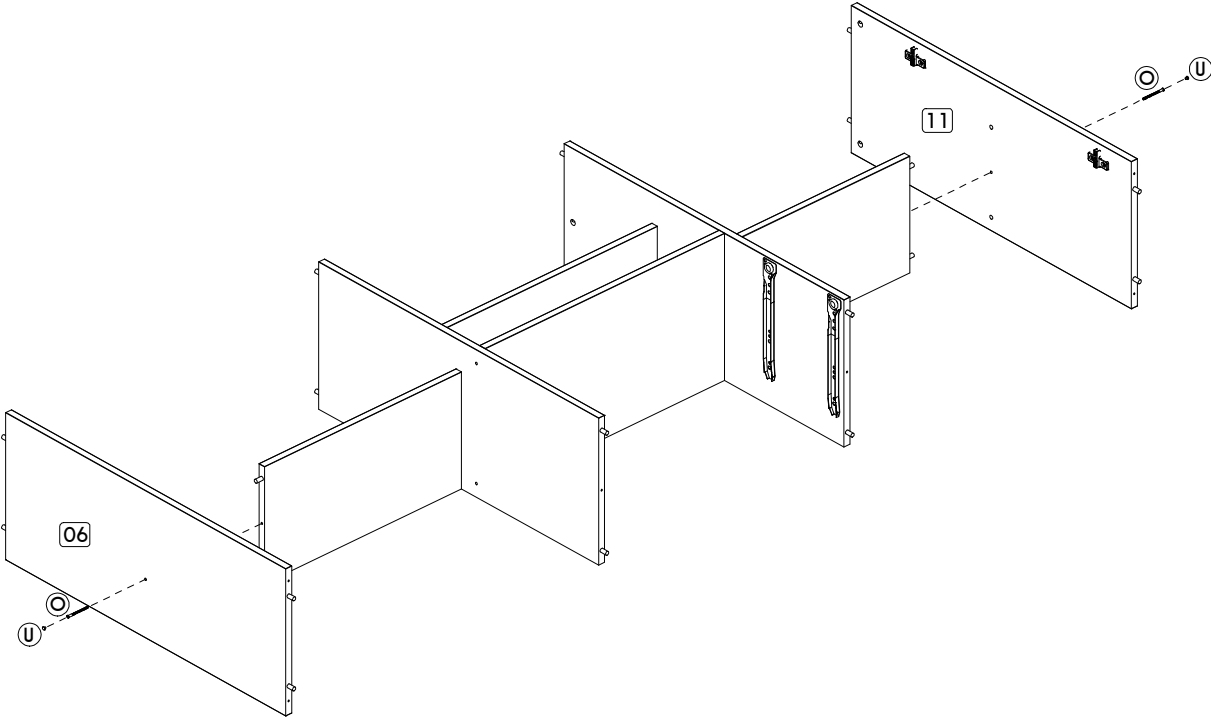
**Step 5:** Attach the left division (9) and the right division (10) to the drawer base (4) and the center shelf (2), to attach the drawer base (4) use the hardware parts O,P and U.  
**DO NOT use any power tools as this may damage the frame and will invalidate any claim.**



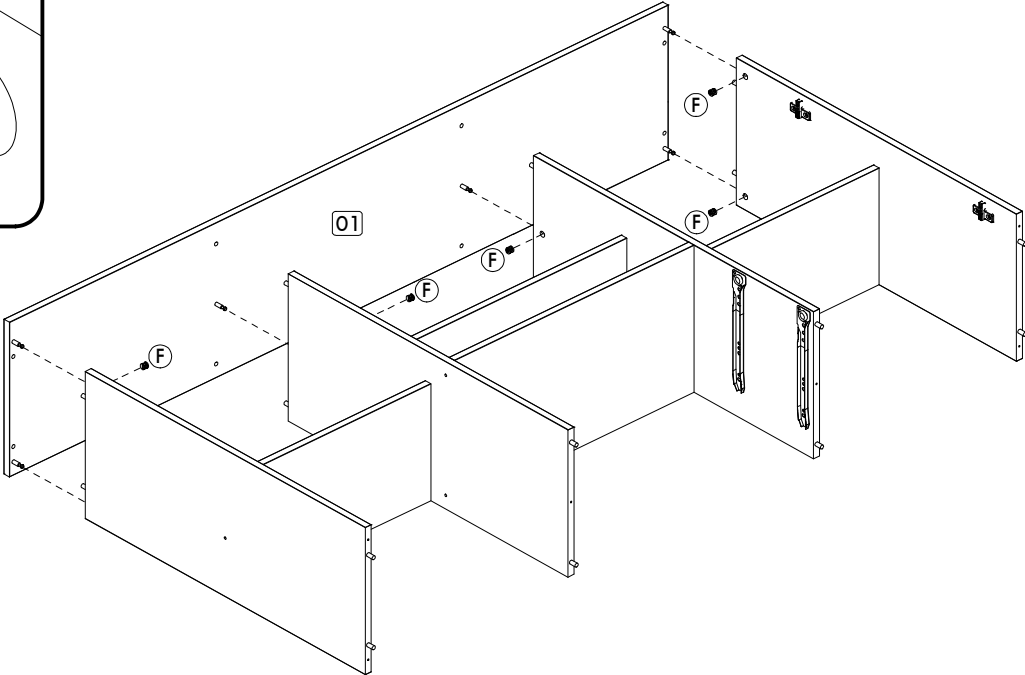
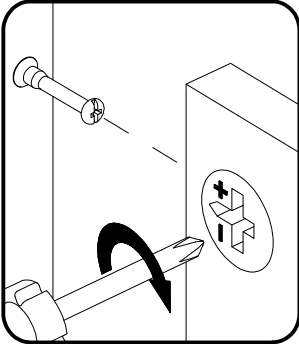
**Step 6:** Attach the right/left shelf (3) using the hardware parts O, P and U.  
**DO NOT use any power tools as this may damage the frame and will invalidate any claim.**



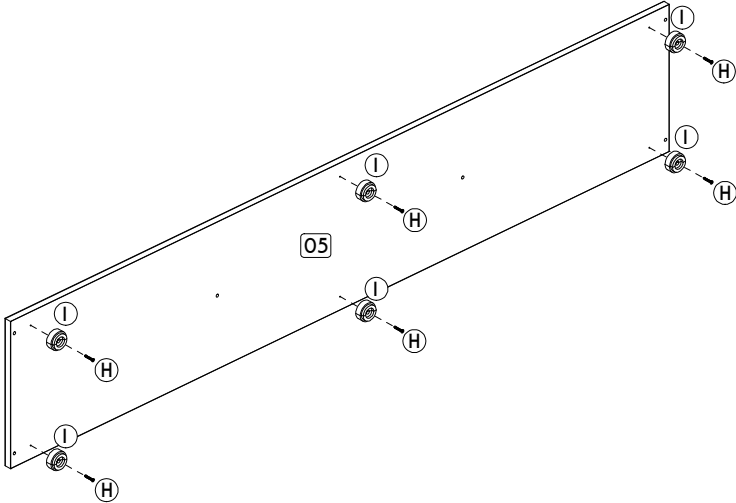
**Step 7:** Attach the left division (6) and the right division (11) using the hardware parts O, P and U.  
**DO NOT use any power tools as this may damage the frame and will invalidate any claim.**



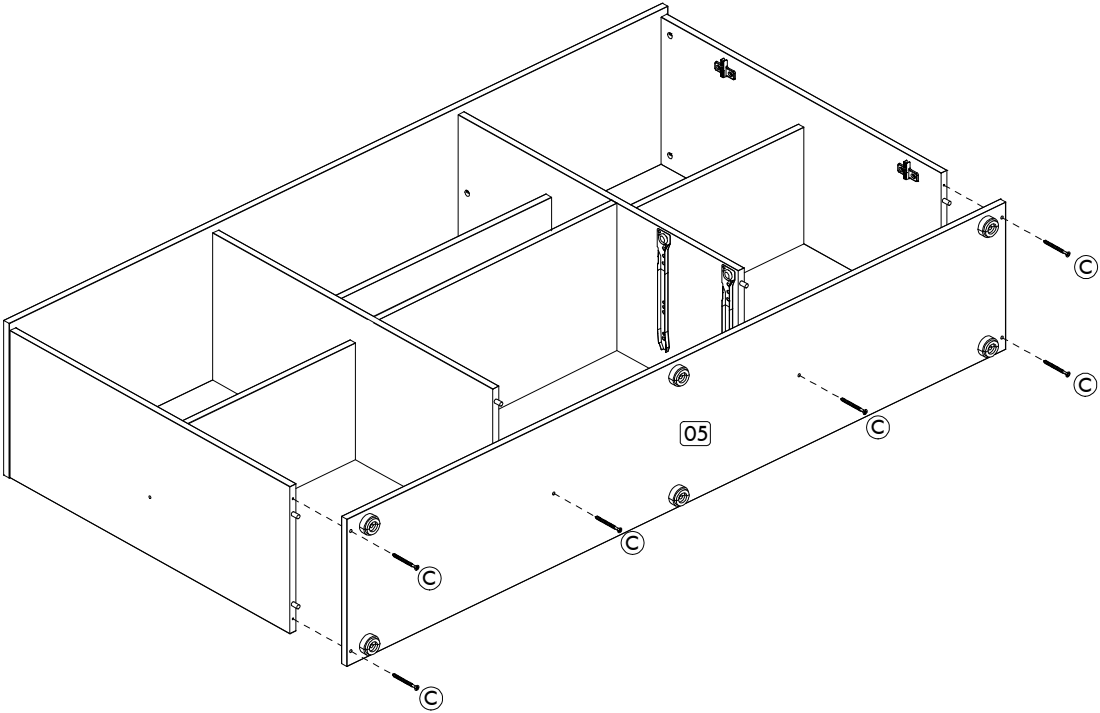
**Step 8:** Attach the top base (1) using the hardware part F and a screwdriver (not provided).  
**DO NOT use any power tools as this may damage the frame and will invalidate any claim.**



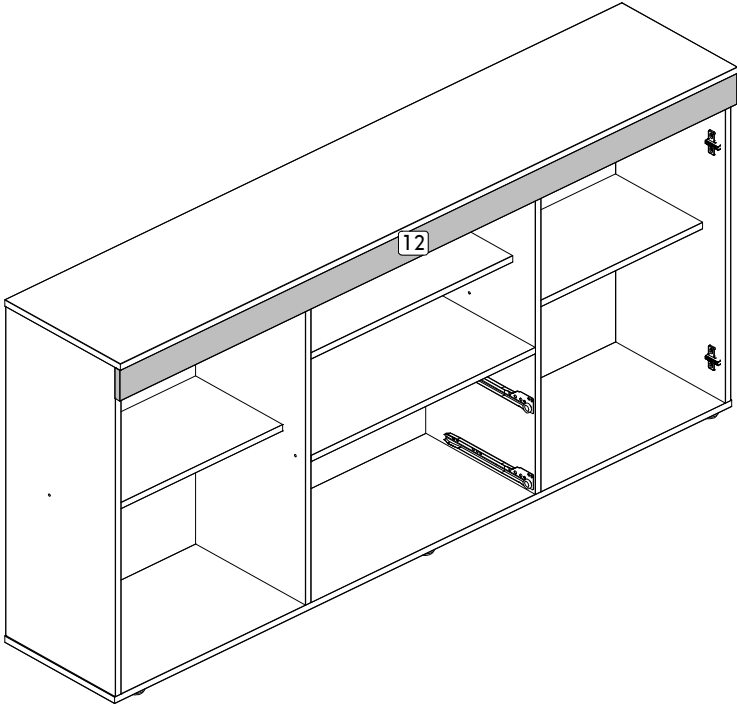
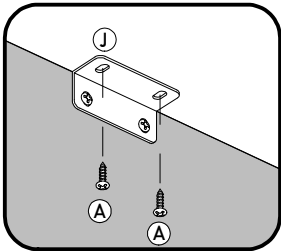
**Step 9:** Attach the hardware part I to the bottom base (5) using the hardware part H and a screwdriver (not provided).  
**DO NOT use any power tools as this may damage the frame and will invalidate any claim.**



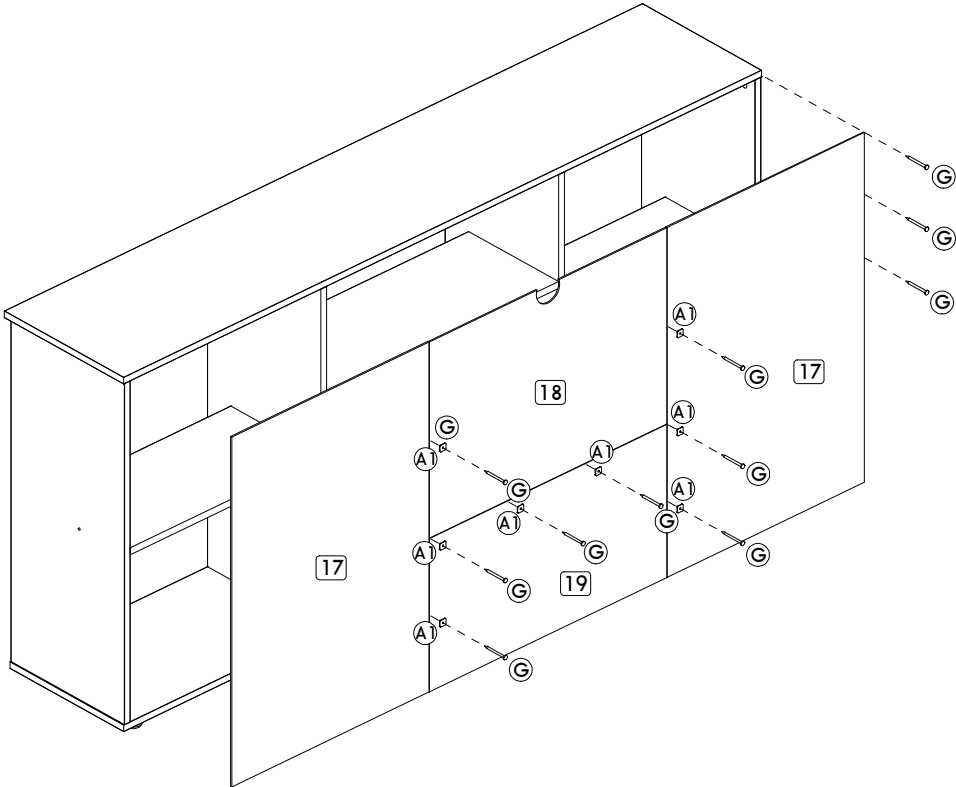
**Step 10:** Join the two sections using hardware part C and a screwdriver (not provided).  
**DO NOT use any power tools as this may damage the frame and will invalidate any claim.**



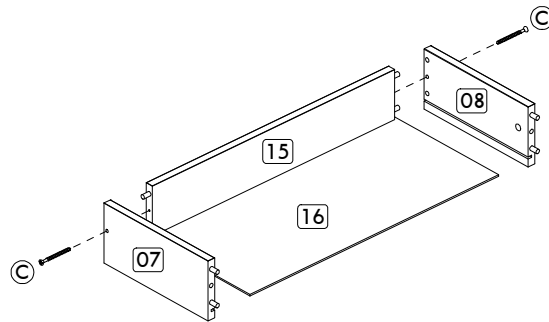
**Step 11:** Attach the frame (12) using the hardware parts A and a screwdriver (not provided).  
**DO NOT use any power tools as this may damage the frame and will invalidate any claim.**



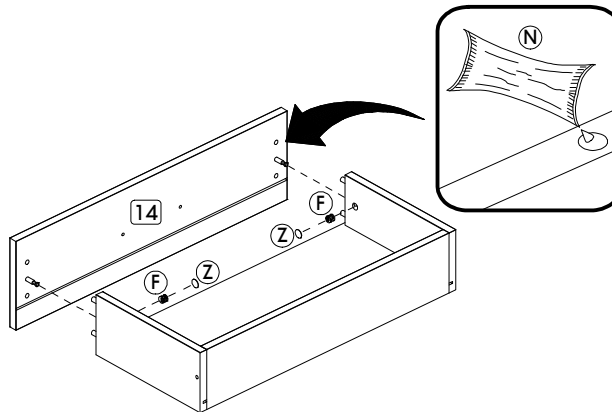
**Step 12:** Attach the side backboard (17), center top backboard (18) and center bottom backboard (19), using the hardware parts G, A1 and a small mallet (not provided).  
**DO NOT use any power tools as this may damage the frame and will invalidate any claim.**



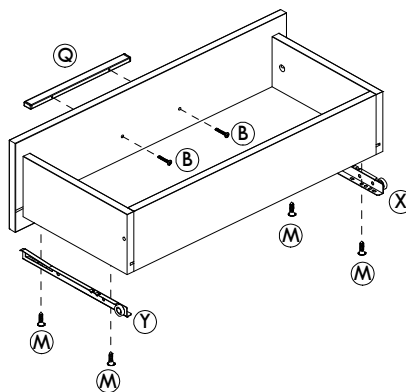
**Step 13:** Attach left side of drawers (7) and the right side of drawers (8) to the rear of drawer (15) and the bottom of drawers (16) using the hardware part C and a screwdriver (not provided).  
**DO NOT use any power tools as this may damage the frame and will invalidate any claim.**



**Step 14:** Attach the front of drawer (14) using the hardware parts F,Z and a screwdriver (not provided).  
**DO NOT use any power tools as this may damage the frame and will invalidate any claim.**

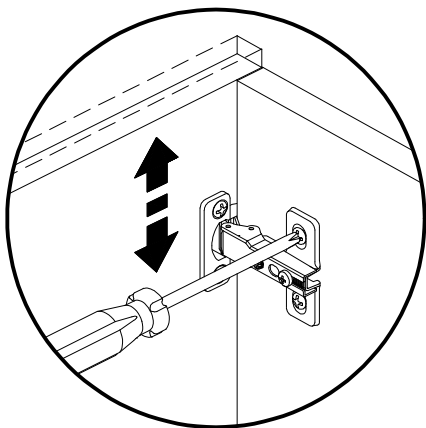
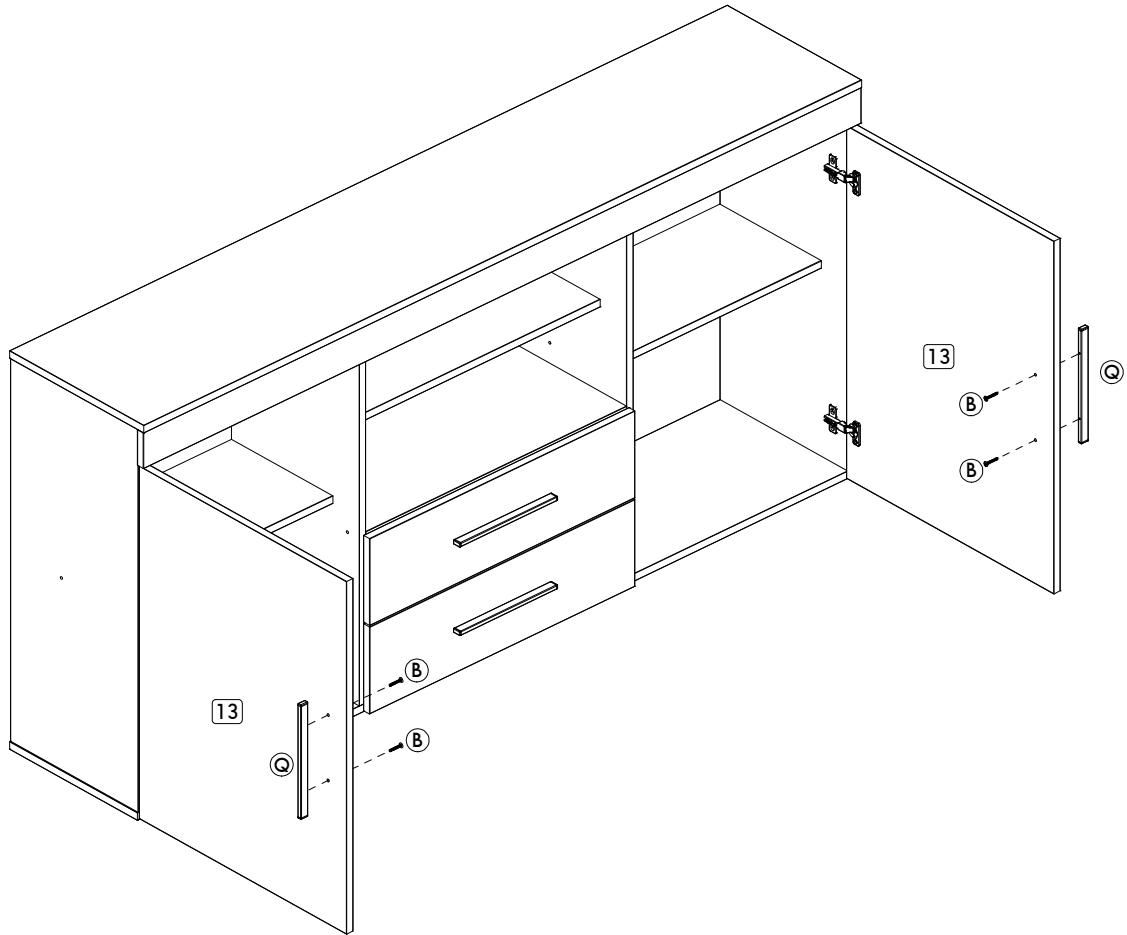


**Step 15:** Attach the hardware part X and Y using the hardware part M and a screwdriver (not provided) then attach the hardware part Q with the hardware part B and a screwdriver (not provided).  
**DO NOT use any power tools as this may damage the frame and will invalidate any claim.**

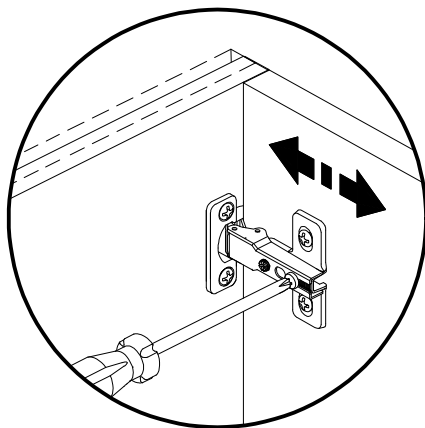




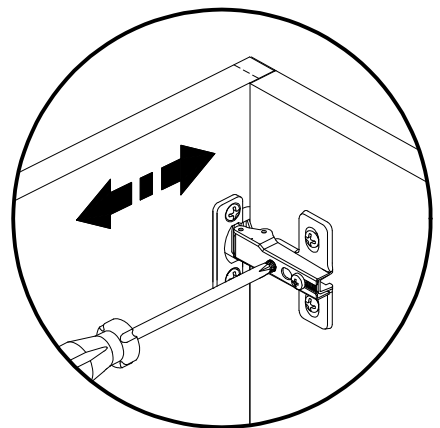
**Step 16:** Attach the hardware part Q to the doors (13) using hardware part B and a screwdriver (not provided), then attach the doors (13) to the sides.  
**DO NOT use any power tools as this may damage the frame and will invalidate any claim.**



Vertical Adjustment

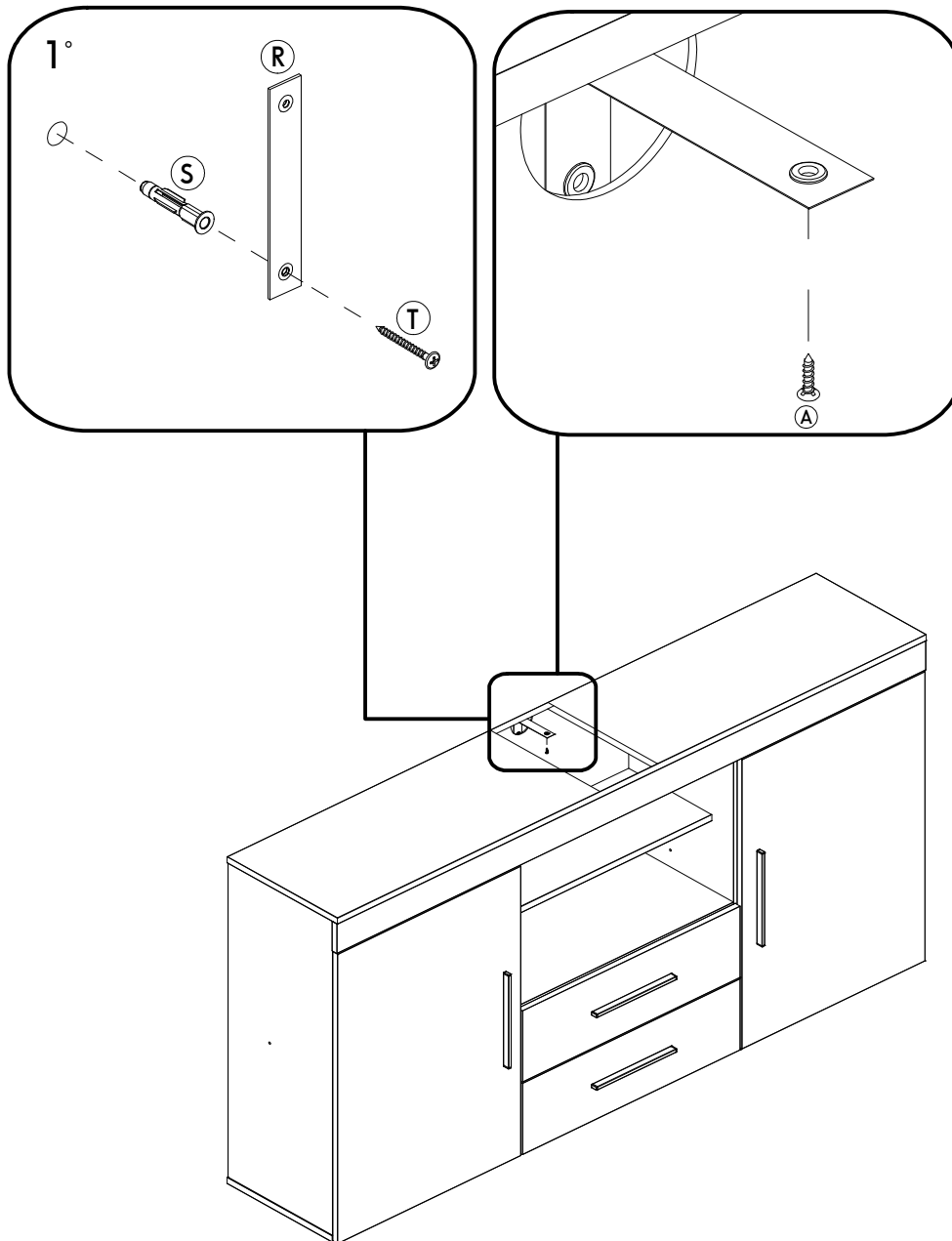


Depth Adjustment



Horizontal Adjustment

**Step 17:** To secure the item to the wall use hardware parts R, S and T using a screwdriver (not provided). Then attach hardware part A to the item with a screwdriver (not provided). **DO NOT use any power tools as this may damage the frame and will invalidate any claim.** Birlea Furniture advise you use the wall straps provided to further enhance the safety of this product.



### Additional Information:

- For complete product information, images and dimension diagrams please visit the website [www.birlea.com](http://www.birlea.com)
- If you have any issues with your item please contact the retailer directly you purchased it from who will be able to resolve any issues with Birlea.
- Why don't you send us photos of your assembled furniture to [info@birlea.com](mailto:info@birlea.com) to be shared in our #birleahome feature on Instagram.



# Birlea

Suppliers of inspiration