



Birlea

Suppliers of inspiration

Assembly Instructions

Thank you for
purchasing a
Birlea product.

For a chance to win a *Love 2 Shop* voucher simply post a picture of your new product on your preferred social channels tagging Birlea Furniture and using the hashtag **#ShareYourStyle** and **#Birlea**. One winner will be selected at random each month.

To view our full terms and conditions please visit our website. www.birlea.com

Are you happy with your purchase?

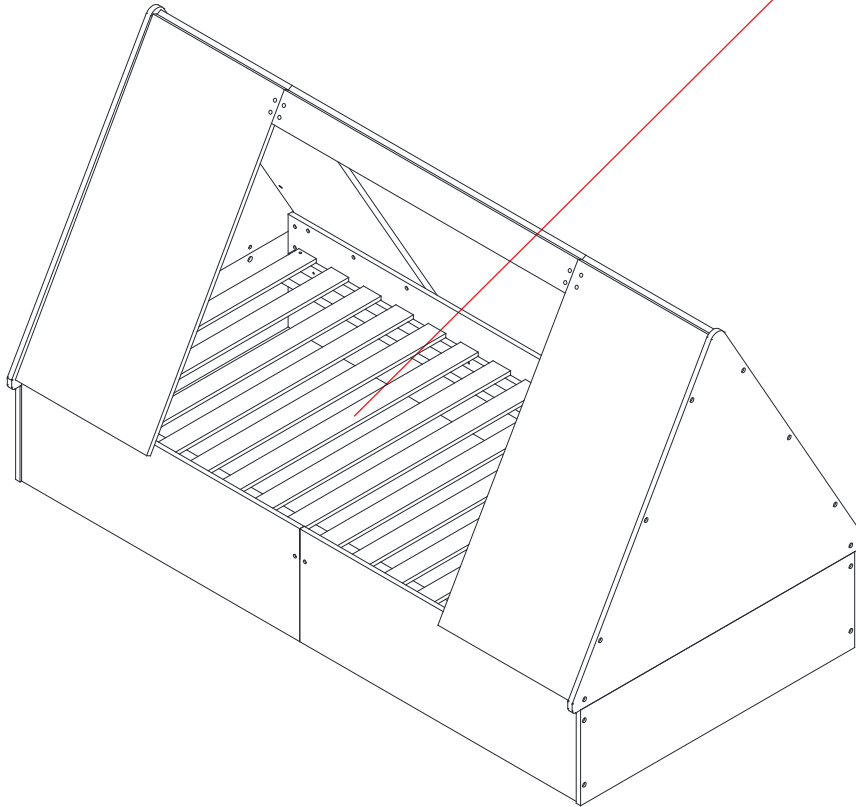
Yes: That's great, we would love to hear more from you. Please leave us a review on our social media channels or Trustpilot. Your feedback will be greatly appreciated.

No: If for any reason there is something missing, indifferent or incorrect with your order, please contact the retailer you purchased the item from. We will work with the retailer to resolve your issue as quickly as possible.



www.birlea.com

The maximum weight allowed on bed: 60kg.



Factory ID: Manufactured in China
Date of Manufacture: 1222(MMY)



90CM TENT BED

Product Code:
DIS-MICTB3, DIS-MINTB3, DIS-SPITB3.

BIRLEA FURNITURE LTD
UNIT 6A-1, WEST MEADOW RISE,
CASTLE
DONINGTON, DERBYSHIRE, DE74 2HL

CERTIFICATION LABEL

These bed models have been tested by an independent laboratory and is in compliance with BS 8509: 2008+ A1: 2011.

WARNING: THIS PRODUCT IS SUITABLE FOR CHILDREN IN THE AGE RANGE 5-12 YEARS.



Birlea

Suppliers of inspiration

ASSEMBLY INSTRUCTION

90CM TENT BED

IMPORTANT!

READ CAREFULLY AND KEEP FOR FUTURE REFERENCE

2 PERSON ASSMBLY

Assembly to be carried out by a competent adults only.

During assembly children should be kept away from the product due to the possible risk of injury.

Do not use the furniture if any part is broken, torn or missing and use only spare parts approved by the manufacturer.

Assemble the furniture on a soft level surface to avoid damaging the product or your floor.

We recommend furniture be assembled near where they will be placed, to avoid moving the product unnecessarily once assembled.

If there is a need to move the furniture, please remove all loose items and have extra hands to help lift the furniture to the desired location. Dragging the furniture will damage both the furniture and the floor.

Ensure that fingers and legs are clear of all adjustments when adjusting this product.

Regularly check and re-tighten (if necessary) all bolts on furniture that you have assembled yourself.

This product is suitable for children in the age range 5-12 years.

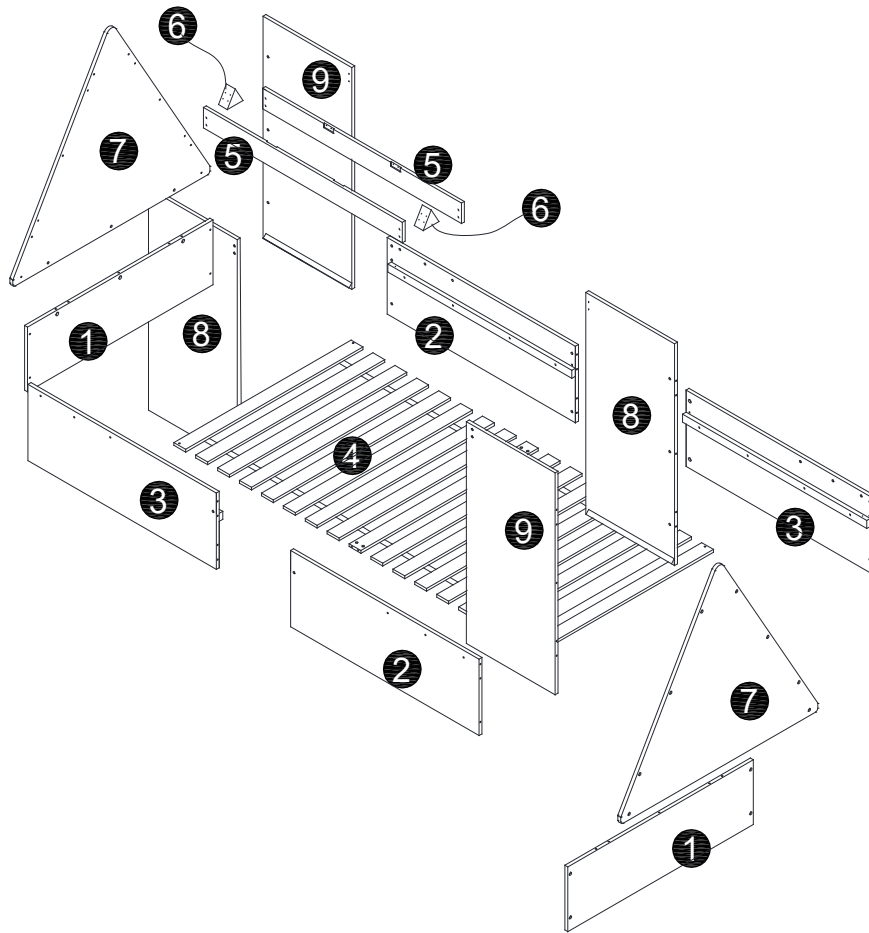
Care and Maintenance of your Furniture

Avoid placing hot items directly onto the surface unless using a thick insulation material such as placemats or coasters. Heat may lead to discolouration or other damage to the surface of the product.

Use a soft cloth that has been dampened in water to clean the surface of this product. Do not use abrasive cleaners, furniture wax or polish on the surface of this product, as it may damage the surface.

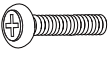
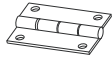




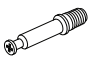


CAUTION: FREQUENT EXPOSURE TO DIRECT SUNLIGHT OR SIMILAR SOURCES MAY CAUSE THE SURFACE TO DISCOLOUR OR FADE.





Parts List							
PART	DESCRIPTION	QTY	BOX	PART	DESCRIPTION	QTY	BOX
1	Short side panel	2	2	6	Wood block	2	2
2	Side rail	2	2	7	Headboard/Footboard	2	1
3	Side rail	2	2	8	Front/Back panel	2	1
4	Bed slat	1	2	9	Front/Back panel	2	1
5	Top support rail	2	1				

HARDWARE (IN BOX 1)

A		M6x45mm	28	G			2
B		Ø10x10mm	38	H		M4x10mm	8
C		M6x25mm	16	I		M5x25mm	28
D		M6x38mm	10				
E		Ø15x12mm	10				
F		M5x35mm	4				

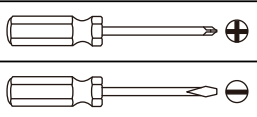
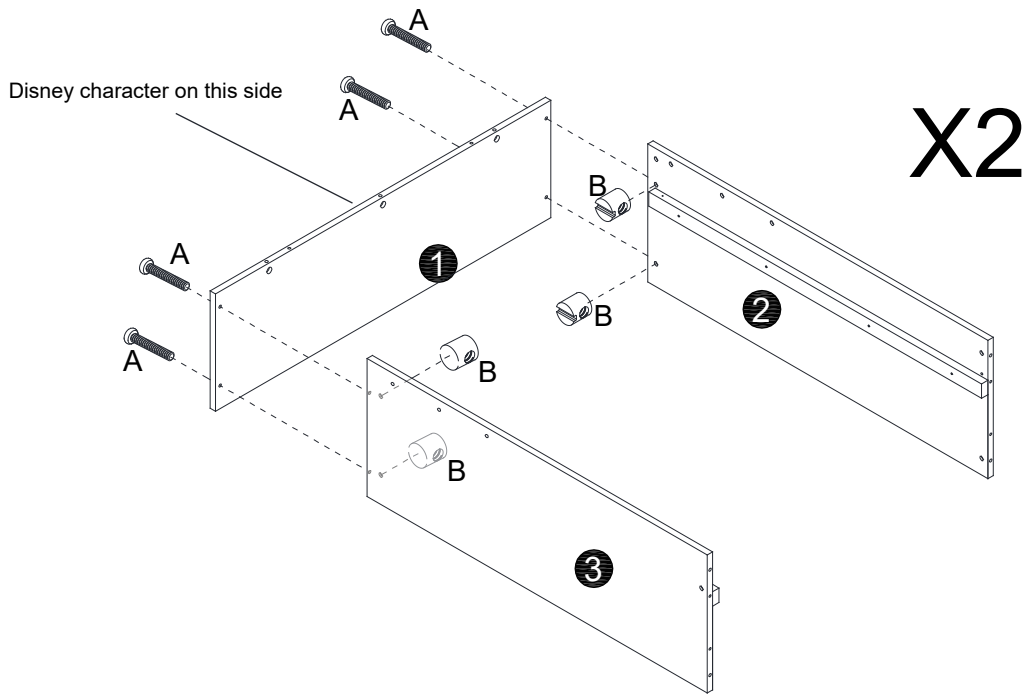
**You will need a Phillips head screwdriver and a Flat head screwdriver (not provided).



Birlea

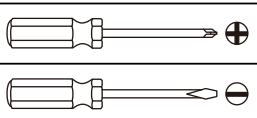
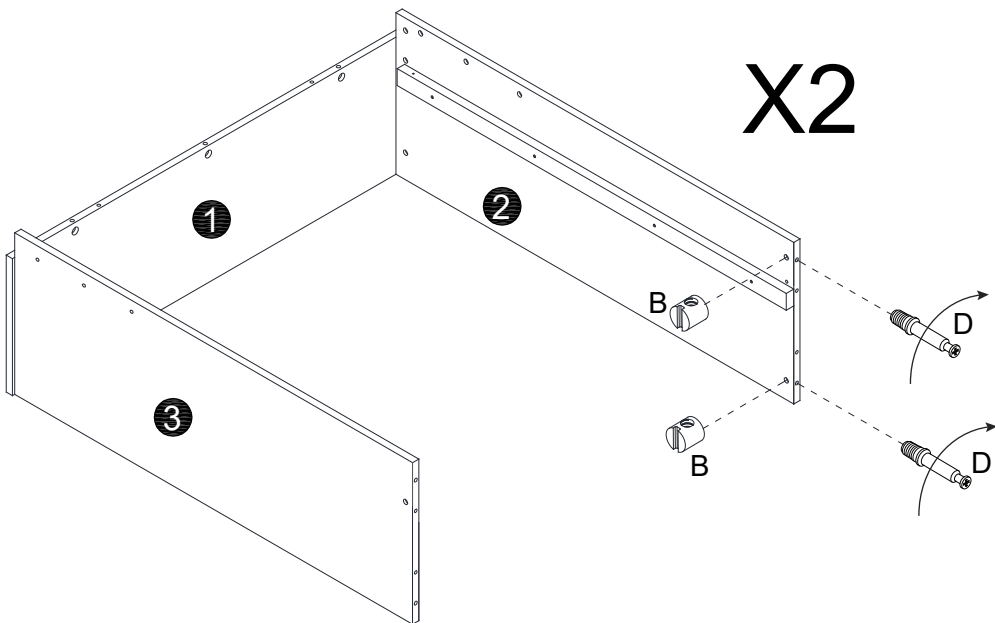
Suppliers of inspiration

01



A		M6x45mm	8
B		Ø10x10mm	8

02



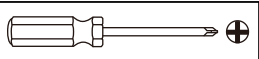
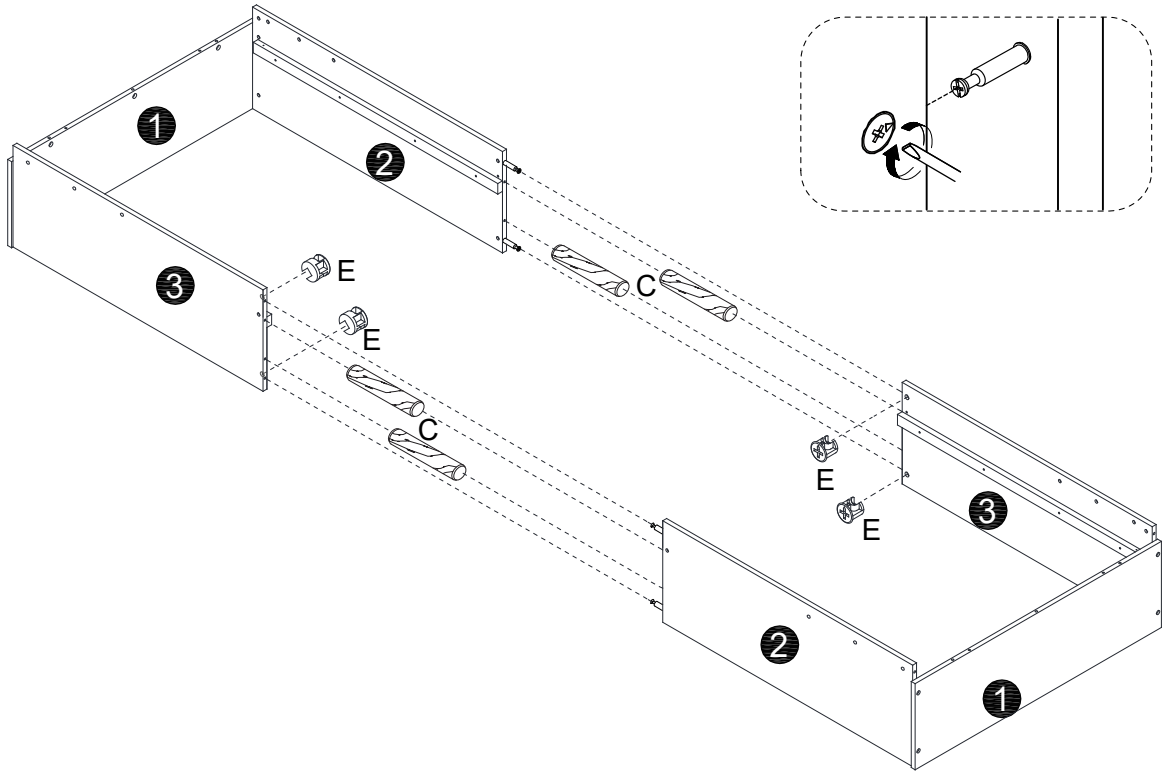
B		Ø10x10mm	4
D		M6x38mm	4





Birlea

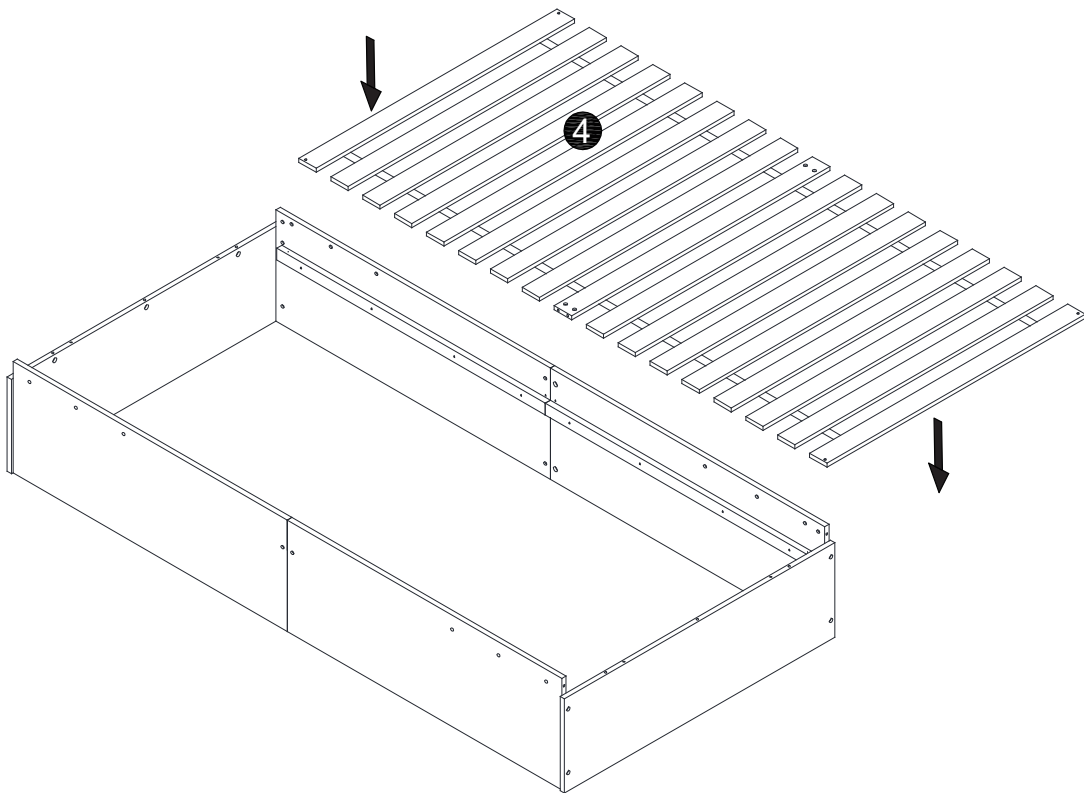
Suppliers of inspiration

03



C	 M6x25mm	4
E	 Ø15x12mm	4

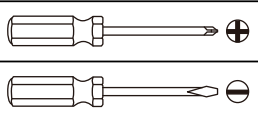
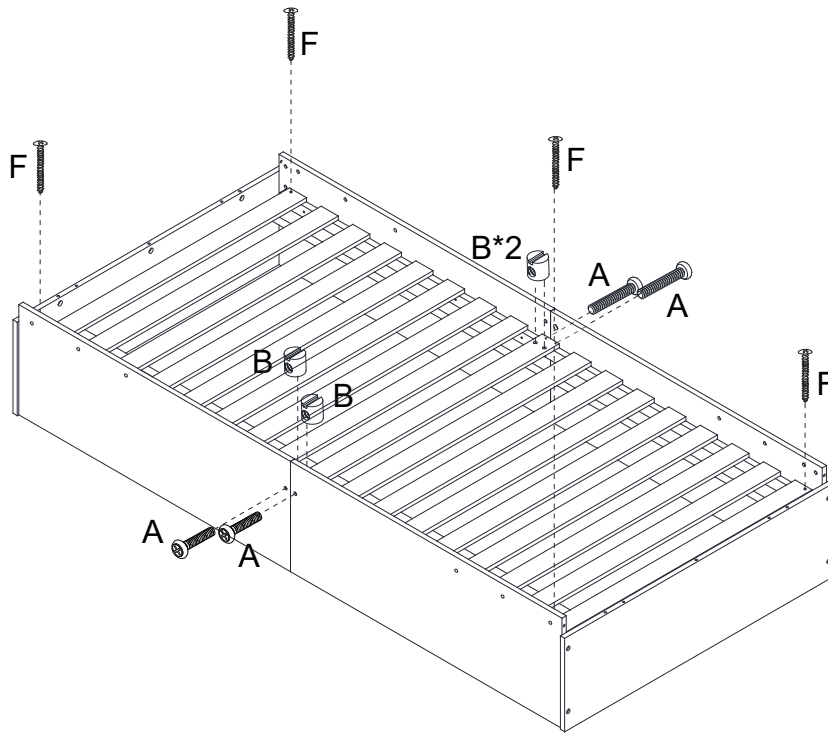
04

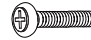




Birlea

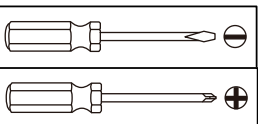
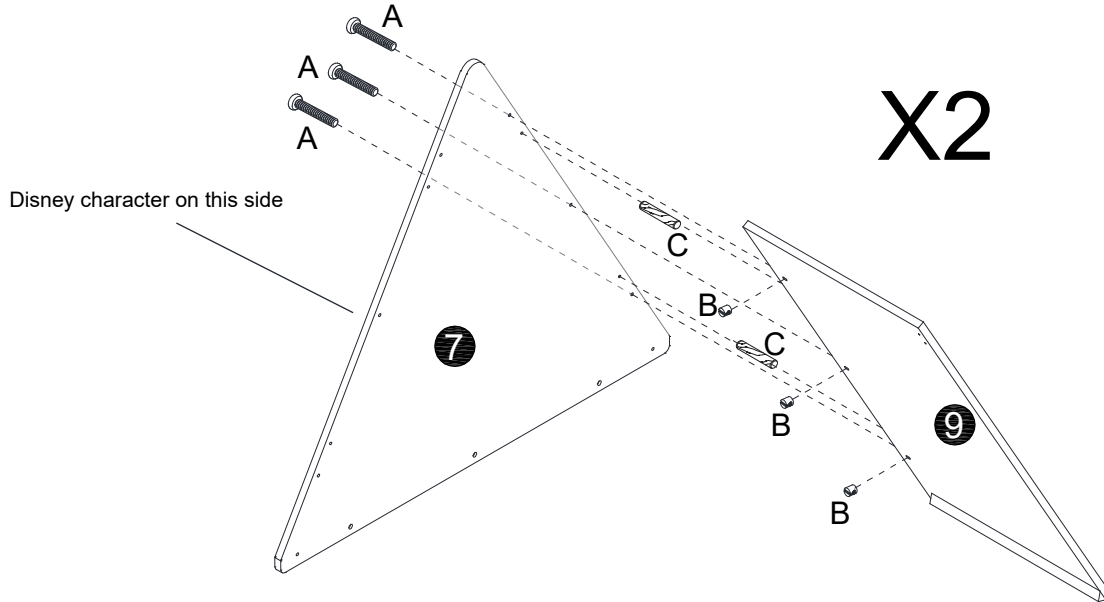
Suppliers of inspiration




05



A		M6x45mm	4
B		Ø10x10mm	4
F		M5x35mm	4

06



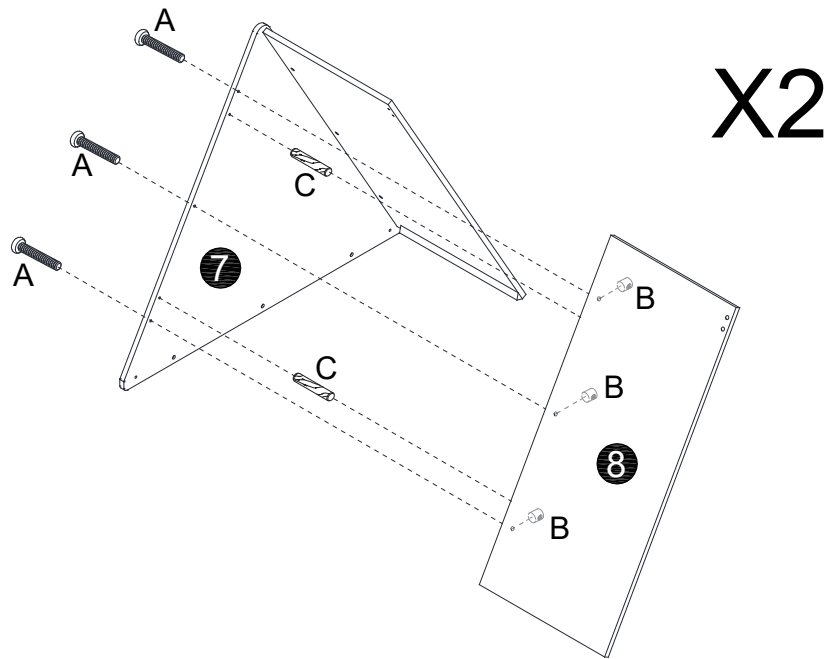
A		M6x45mm	6
B		Ø10x10mm	6
C		M6x25mm	4



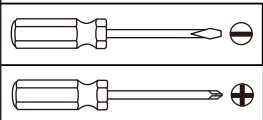
Birlea

Suppliers of inspiration

07

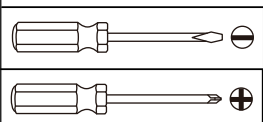
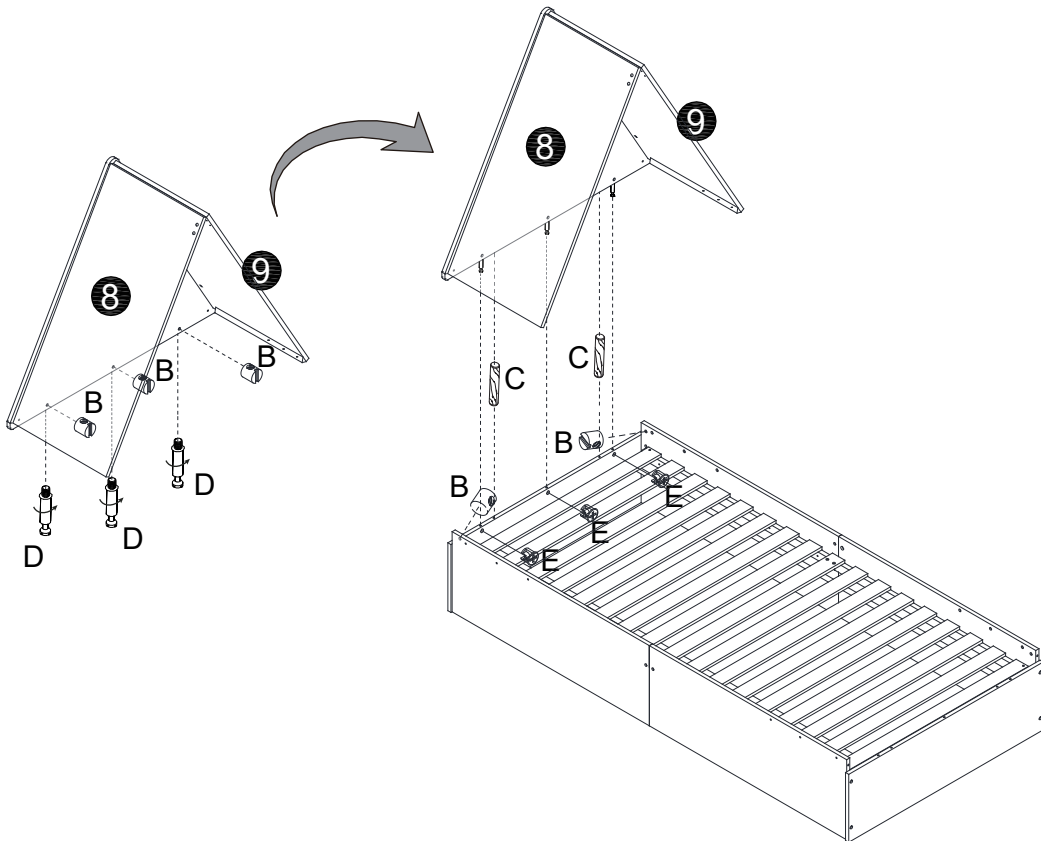


X2



A		M6x45mm	6
B		Ø10x10mm	6
C		M6x25mm	4

08



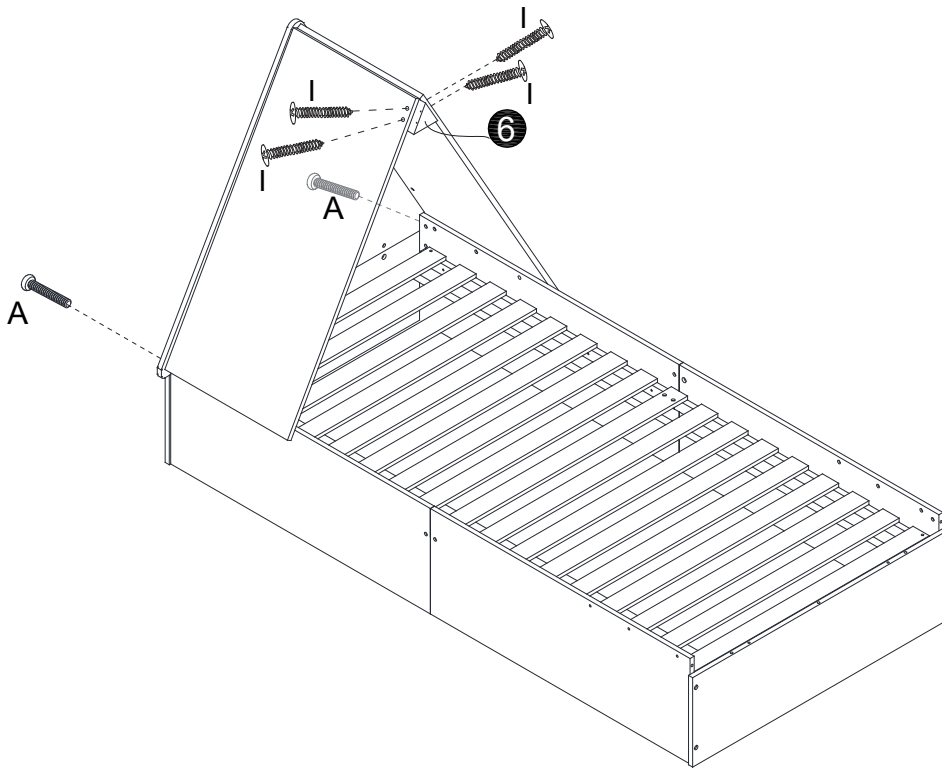
B		Ø10x10mm	5	D		M6x38mm	3
C		M6x25mm	2	E		Ø15x12mm	3





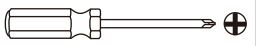
Birlea

Suppliers of inspiration

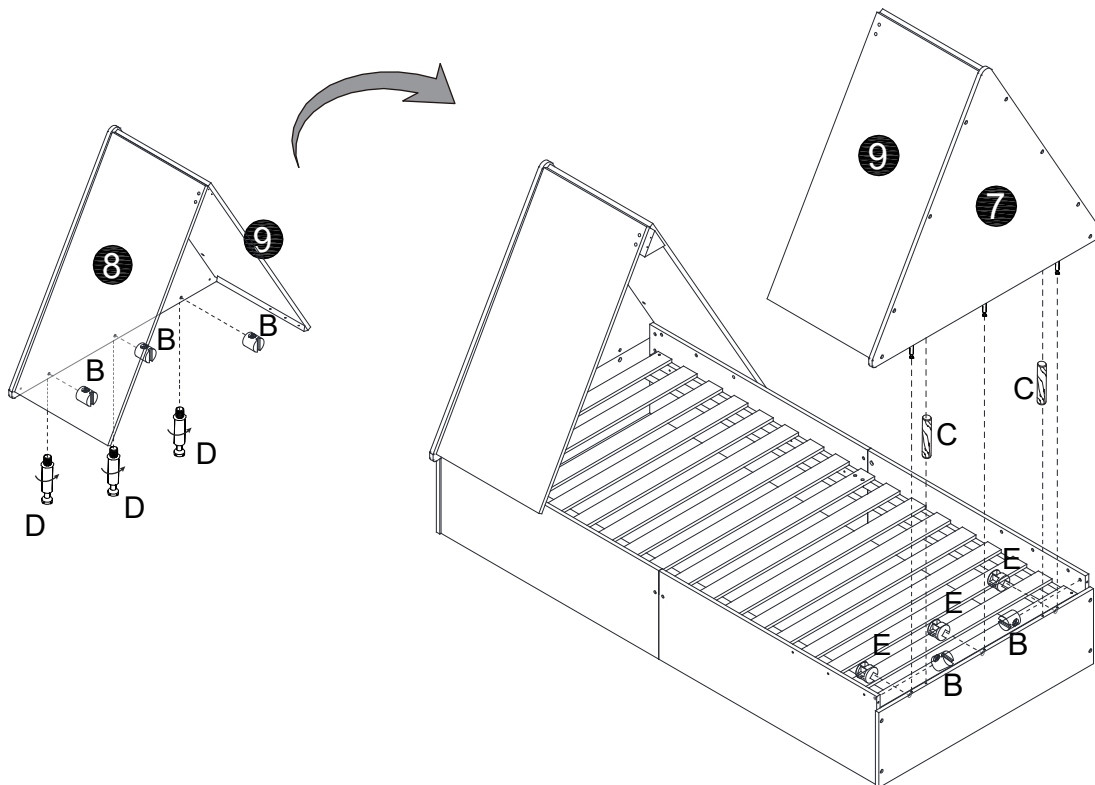
09


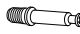




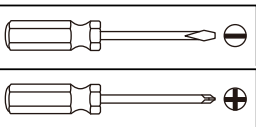
A		M6x45mm	2
I		M5x25mm	4



10



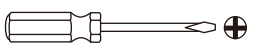
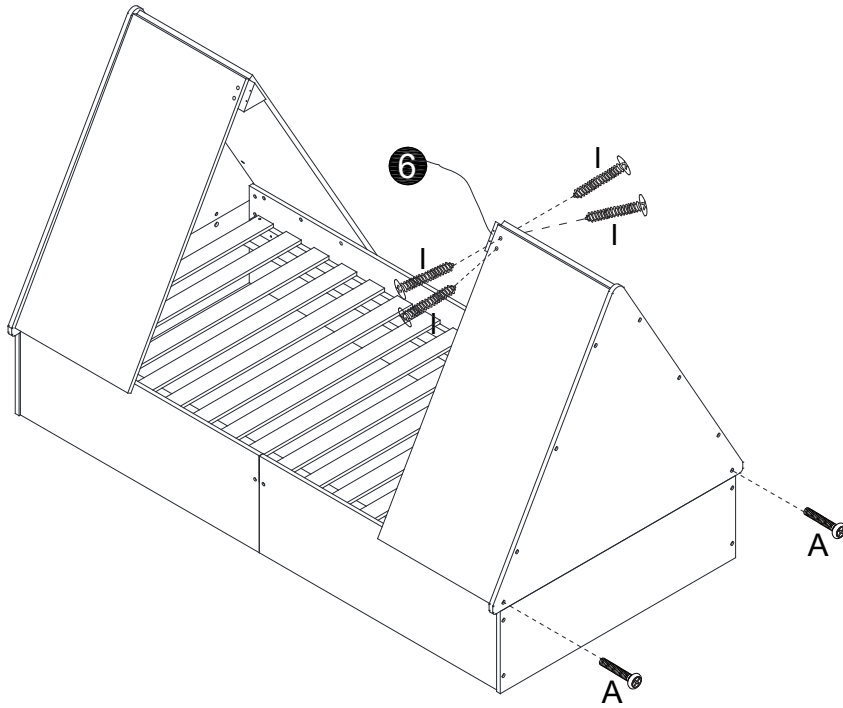
B		Ø10x10mm	5	D		M6x38mm	3
C		M6x25mm	2	E		Ø15x12mm	3

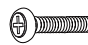



Birlea

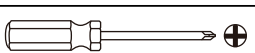
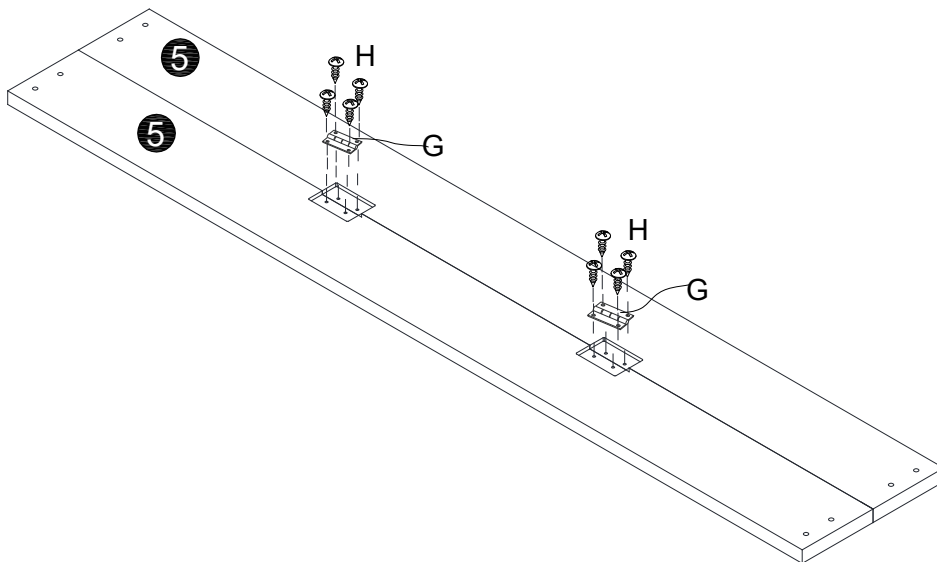
Suppliers of inspiration



11



A		M6x45mm	2
I		M5x25mm	4

12



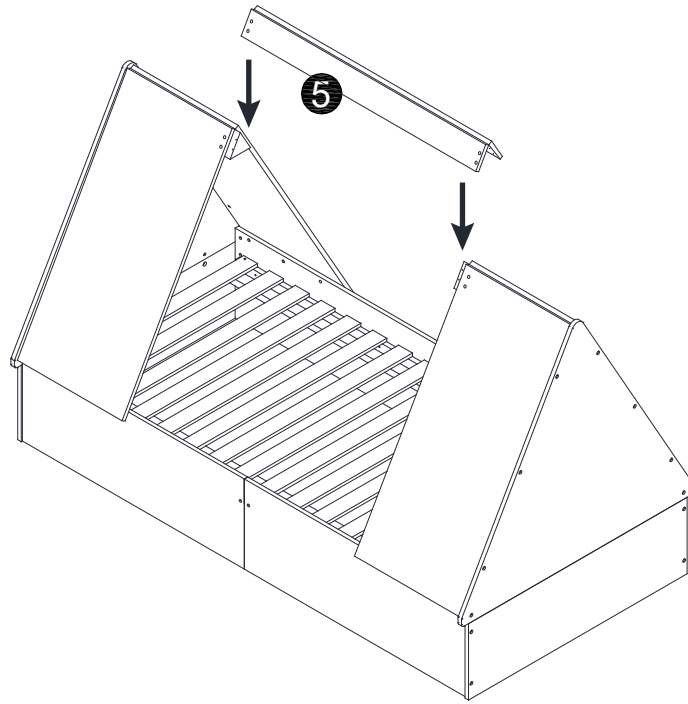
G			2
H		M4x10mm	8



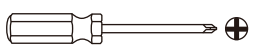
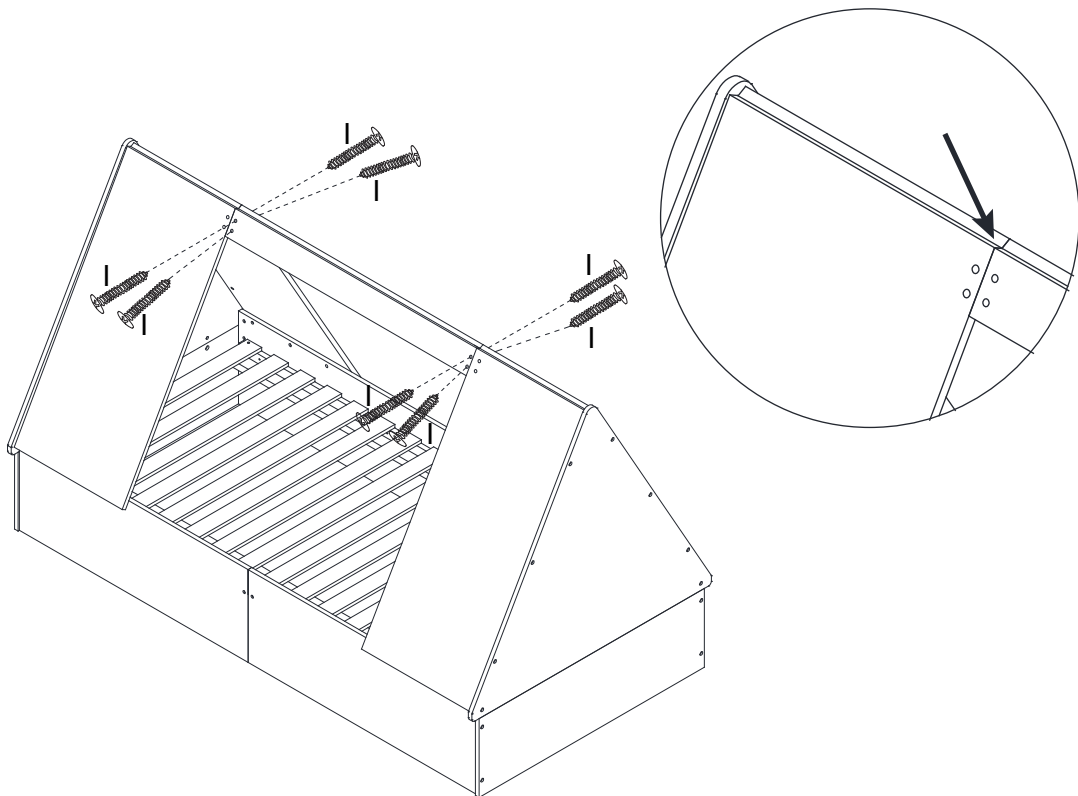
Birlea

Suppliers of inspiration

13



14



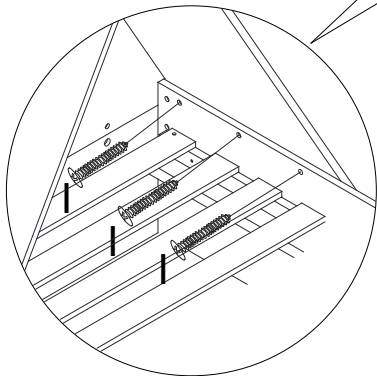
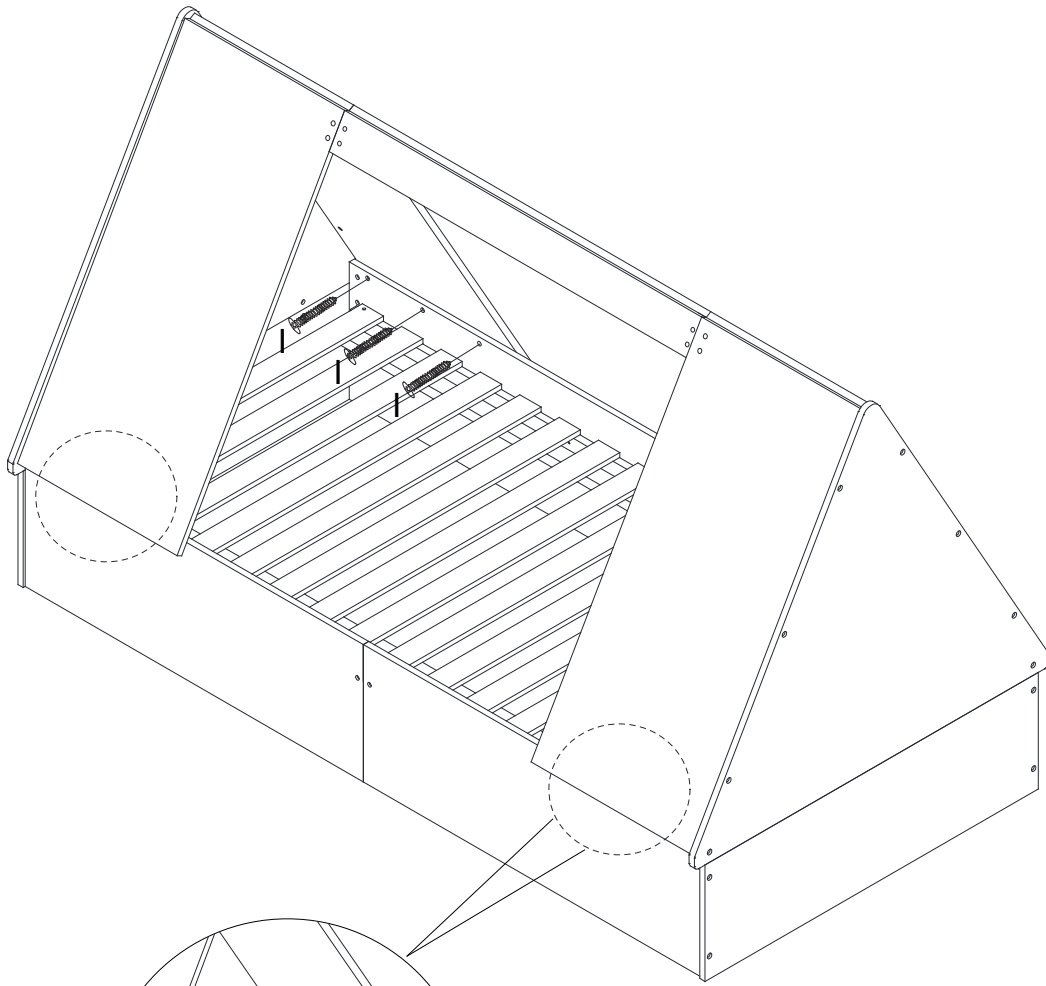
I	 M5x25mm	8
---	-----------------------------------------------------------------------------------------------	---



Birlea


Suppliers of inspiration

15



X4



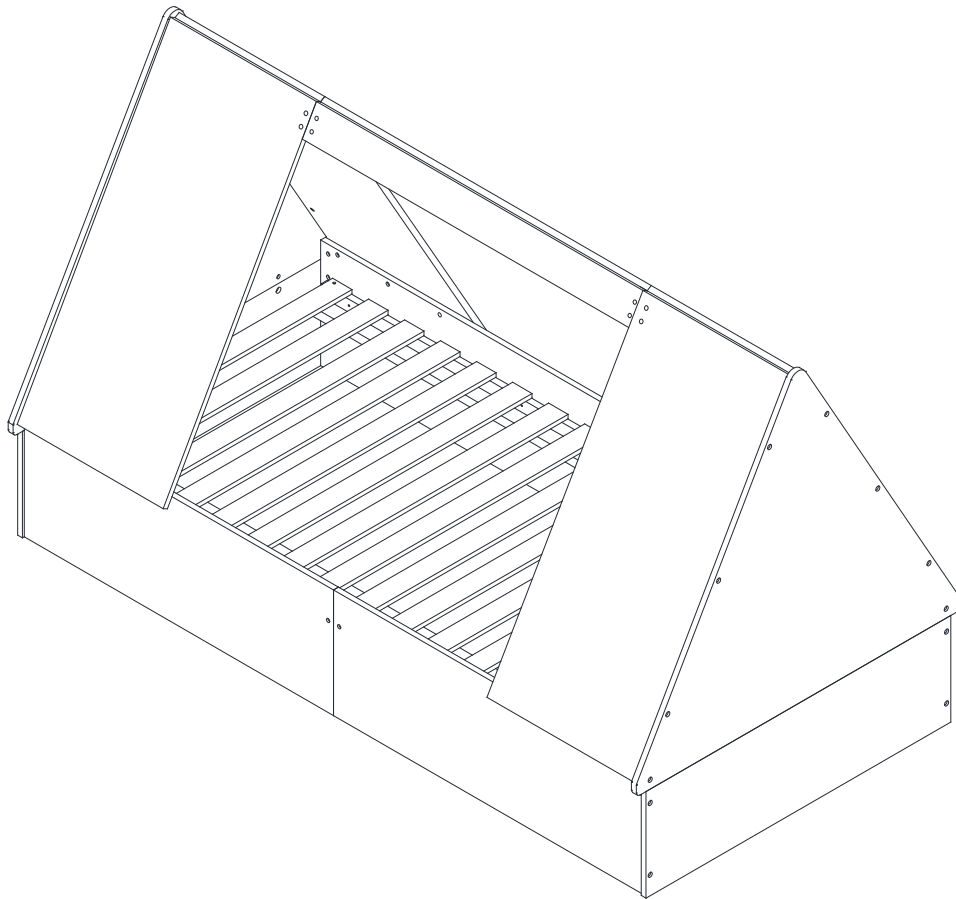
I		M5x25mm	12
---	---------------------------------------------------------------------------------------	---------	----



Birlea

Suppliers of inspiration

16



WARNING!

Do NOT place this child's bed near heat sources, windows and other furniture.

Do NOT use the child's bed if any part is broken, torn or missing and use only spare parts approved by the manufacturer.

Use mattress which is 190cm long and 90cm wide on the bed.

The child's bed conforms to BS8509:2008 + A1: 2011.



Birlea

Suppliers of inspiration

Additional Information:

- For complete product information, images and dimension diagrams please visit the website www.birlea.com
- If you have any issues with your item please contact the retailer directly you purchased it from who will be able to resolve any issues with Birlea.
- Why don't you send us photos of your assembled furniture to info@birlea.com to be shared in our [#birleahome](https://www.instagram.com/birleahome) feature on Instagram.



Birlea

Suppliers of inspiration