



Birlea

Suppliers of inspiration

Assembly Instructions

Thank you for
purchasing a
Birlea product.

For a chance to win a Love 2 Shop voucher simply post a picture of your new product on your preferred social channels tagging Birlea Furniture and using the hashtag **#ShareYourStyle** and **#Birlea**. One winner will be selected at random each month.

To view our full terms and conditions please visit www.birlea.com

Are you happy with your purchase?

Yes: That's great, we would love to hear more from you. Please leave us a review on our social media channels or Trustpilot. Your feedback will be greatly appreciated.

No: If for any reason there is something missing, indifferent or incorrect with your order, please contact the retailer you purchased the item from. We will work with the retailer to resolve your issue as quickly as possible.





Birlea

Suppliers of inspiration

Assembly Video

For a step by step guide on how to build our Woodbury Bed visit our YouTube channel 'BirleaFurnitureLtd' or alternatively scan the below code on your smart phone.



How to scan a QR code from an apple device

Step One: Open up the camera app

Step Two: Hold the device's camera up to the QR code

Step Three: Your Apple device will automatically recognise the QR code and provide you with a link to the video.

How to scan a QR code from an android device

Step One: Download the QR Code reader application from the Play Store.

Step Two: Open the QR code application and open the camera.

Step Three: Your Android device will automatically recognise the QR code and provide you with a link to the video.

How to scan a QR code from a Window's device

Step One: Open up the camera app

Step Two: Hold the device's camera up to the QR code

Step Three: Your Window device will automatically recognise the QR code and provide you with a link to the video.

Please ensure that your device is up to date with the latest operating system.

WOODBURY - Super King

Assembly Instructions

Before you begin...

1. Please check in your desired room of use.
2. Unpack all boxes and lay out each component on the floor.
3. Check your product for any damage that may be immediately obvious. If damage is identified, please contact your retailer.
4. Please read through these instructions thoroughly to ensure you have constructed your bed correctly.

For Care and Maintenance of your bed...

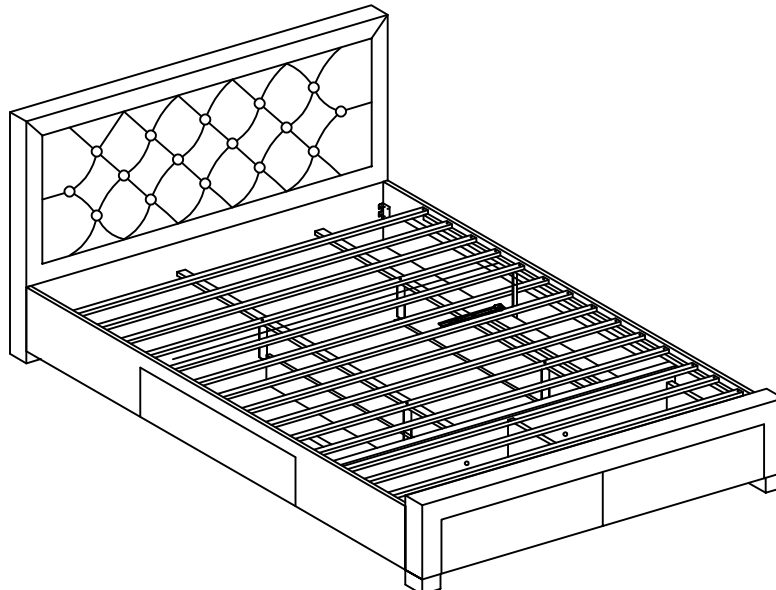
- Always assemble in your desired room of use.
- Always check all screw and fixings periodically to ensure they are still secure.
- Do not push or pull this bed as it will cause damage.
- Always lift this bed with a second person to prevent damage or injury.
- Keep any sharp objects away from this bed frame.

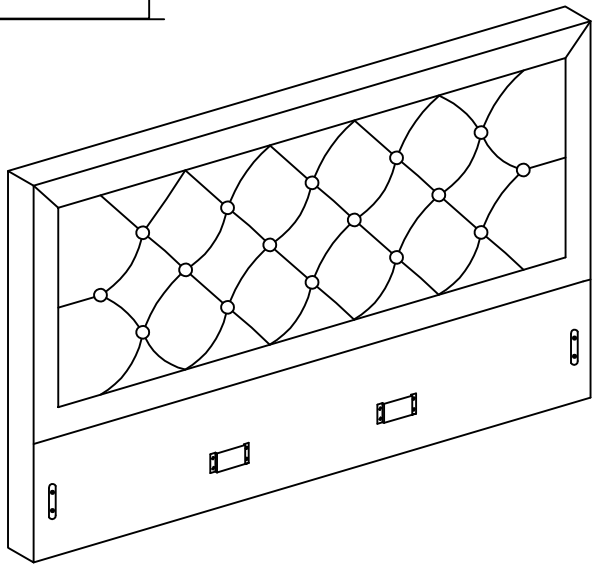
For your Health and Safety...

- Please don't not jump on this bed.
- Do not use this bed if you find missing, damaged or worn parts. Please contact your retailer.
- Please do not use this bed until you have fully secure all fixings.
- Please keep all small components away from children.
- Please ensure this bed is on an even, level surface.

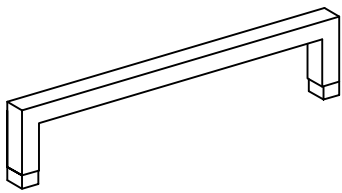
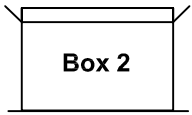
Also...

If your desired room of choice has a non-carpeted surface ensure please that you use some form of protection and **do not** place directly on the wooden floor. This will prevent the bed from moving and therefore collapsing which will void your guarantee...

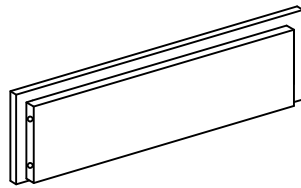




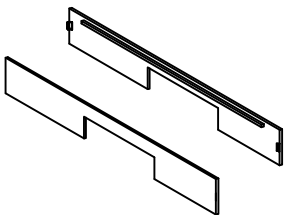
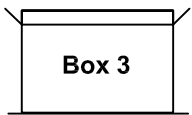
1.Headboard (x1)



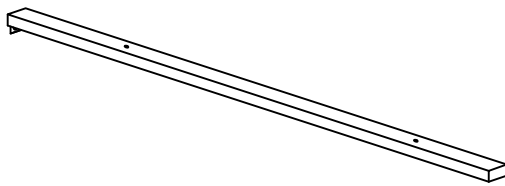
2.Footboard (x1)



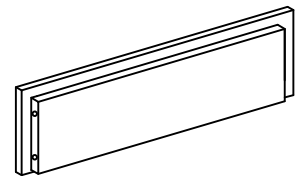
10.Footboard Drawer Front (x2)



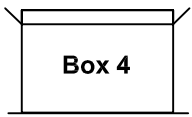
3.Siderail L/R (x2)



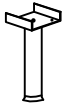
5.Centre Rail (x2)



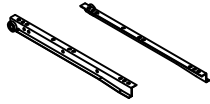
9.Side Rail Drawer Front (x2)



Box 4



6.Support Legs (x4)



7.Drawer Runner Pack 1 (x8)



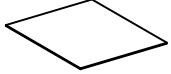
8.Drawer Runner Pack 2 (x8)



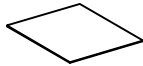
11.Side Rail Drawer Back (x2)



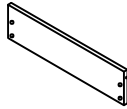
12.Footboard Drawer Back (x2)



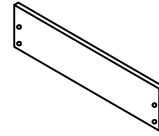
13.Siderail Drawer Base (x2)



14.Footboard Drawer Base (x2)



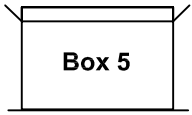
15.Siderail Drawer Side (x4)



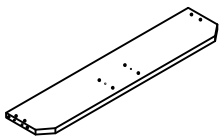
16.Footboard Drawer Side (x4)



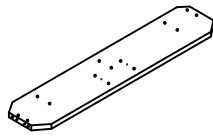
17. Drawer Support (x8)



Box 5



18.Drawer Frame (x1)



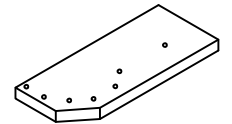
19.Drawer Frame (x1)



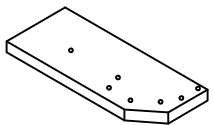
20.Drawer Centre Frame (x2)



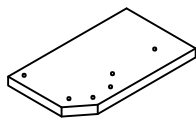
21.Drawer Frame Support (x2)



22.Drawer Frame Divider 1 (x1)



23.Drawer Frame Divider 2 (x1)



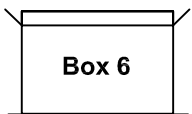
24.Drawer Centre Divider (x1)



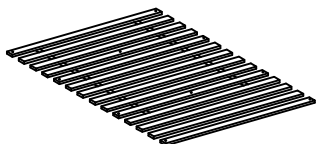
25.Drawer Frame Support (x1)



26.Drawer Frame Support (x1)



Box 6

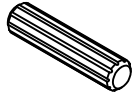


4.Slat (x1)

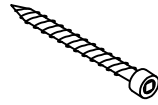


Hardware

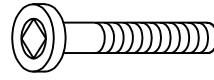
All fitting are stored within Box 4



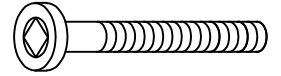
A. Plastic Dowel (x31)



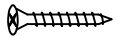
B. M6 x 40 mm JCBC W (x17)



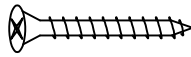
C. M6 x 40 mm JCBC (x10)



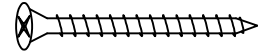
D. M6 x 60 mm JCBC (x4)



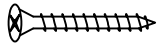
E. M3.5 x 16 mm CSK (x48+1)



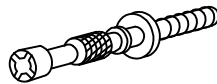
F. M4 x 32 mm CSK (x18)



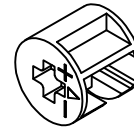
G. M4 x 50 mm CSK (x32)



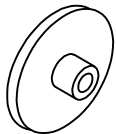
H. M4 x 25 mm CSK (x2)



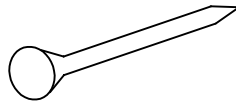
I. Mini Fix Bolt (x10)



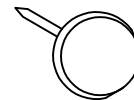
J. Mini fix Housing (x10)



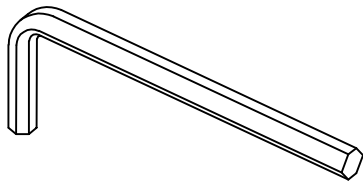
K. Mini Fix Cap (x10)



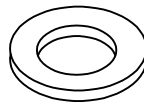
L. Power Nail $\frac{6}{8}$ (x52)



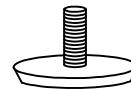
M. White Nail (x16)



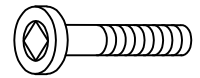
N. Allen Key 65 mm (x1)



O. M6 Flat Washer (x10)



P. Adjuster (x4)



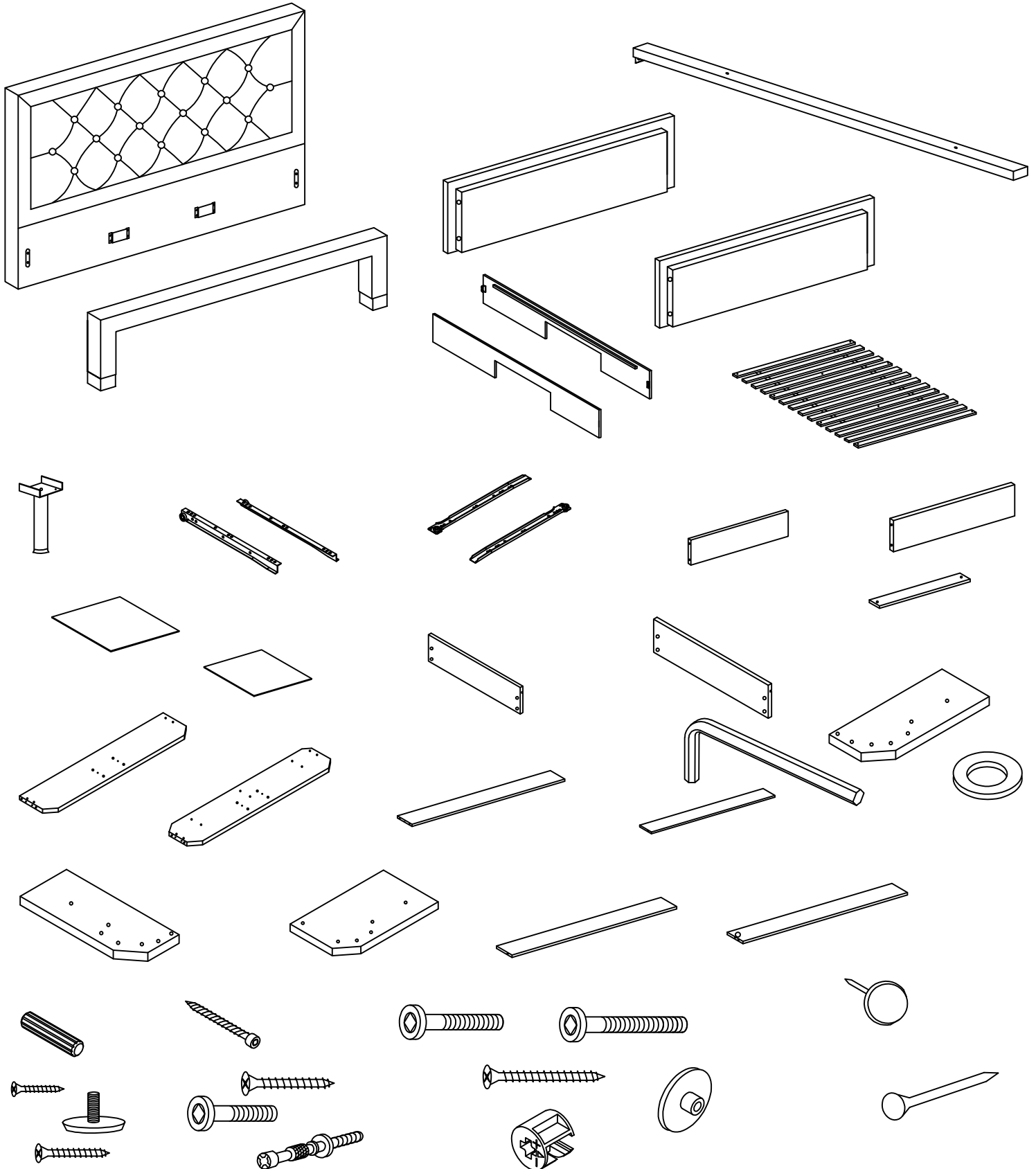
Q. M6 x 30 mm JCBC (x8)

***You will need a small mallet and screwdriver (not provided)**

*** There is one CSK screw 16mm as spares.**

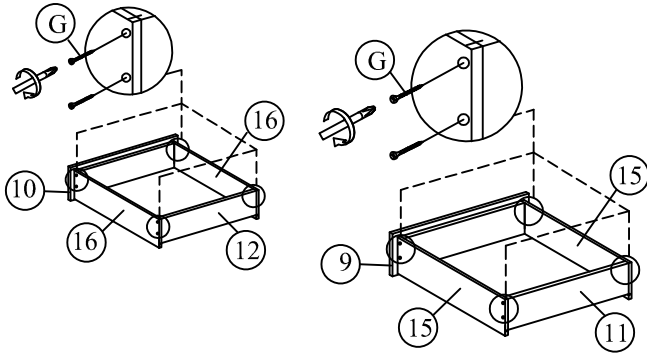
Step 1

Unpack all components from the boxes and check you are not missing anything. Please check these against the list on page 3,4 & 5. Should you identify any missing components, please contact the retailer you purchased the bed from.



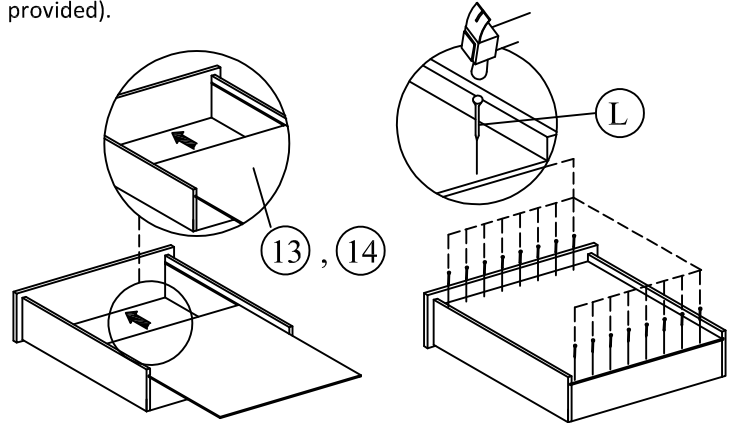
Step 2

Join together the 4x Drawer Front (9 & 10), 4x Drawer Back (11 & 12) and 8x Drawer Side (15 & 16) using hardware 32x M4 x 50 mm CSK (G) and screwdriver (not provided). Repeat for the remaining drawer.



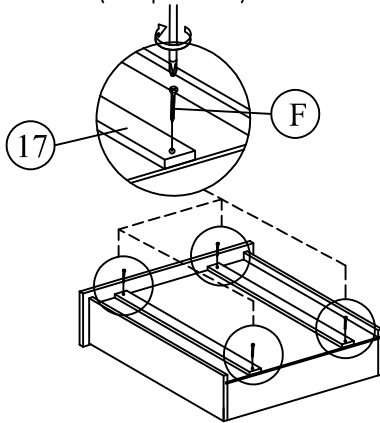
Step 3

Slide the 4x Drawer Base (13 & 14) into position on all four drawer. Secure with hardware 52x Power Nail (L) and small mallet (not provided).



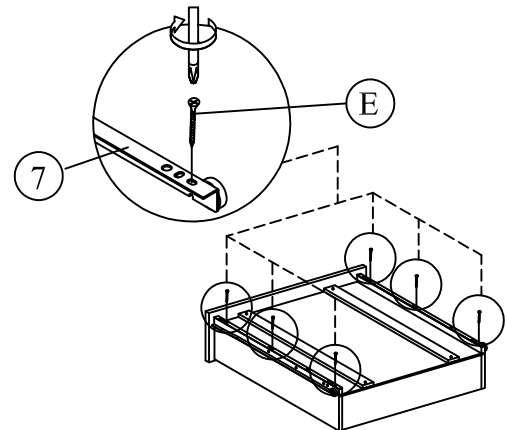
Step 4

Secure the 8x Drawer Support (17) using hardware 16x M4 x 32 mm CSK (F) and screwdriver (not provided).



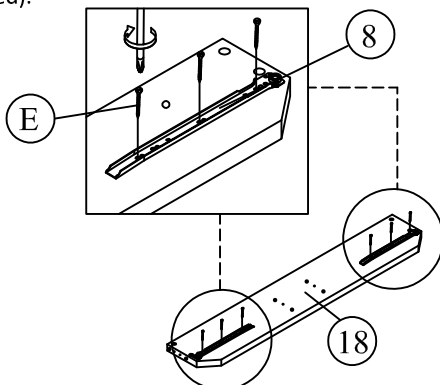
Step 5

Attach the 8x Drawer Runner from pack 1 (7) using hardware 24x M3.5 x 16 mm CSK (E) and screwdriver (not provided).



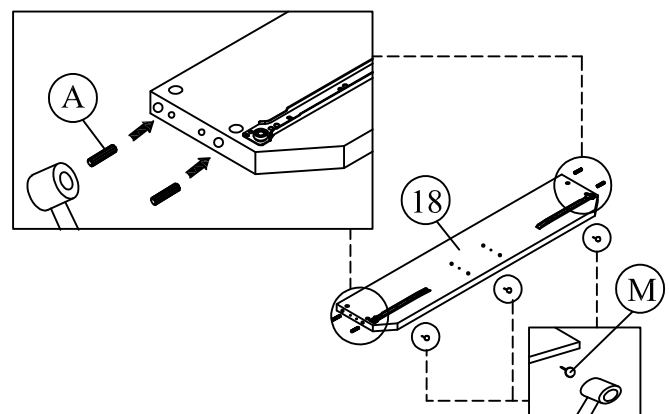
Step 6

Attach the 2x Drawer Runner from pack 2 (8) to the drawer frame (18) using hardware 6x M3.5 x 16 mm CSK (E) and screwdriver (not provided).



Step 7

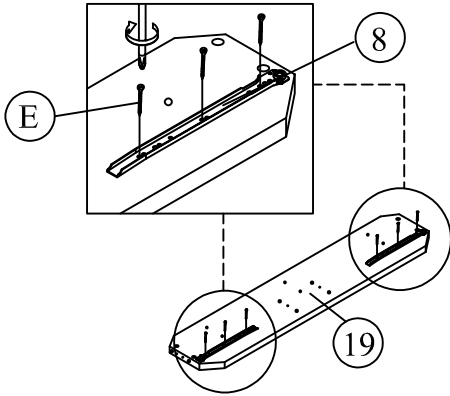
Insert hardware 4x Plastic Dowel (A) and 3x White Nail (M) to the Drawer Frame (18) using a small mallet (not provided).



DO NOT use any power tools as this may damage the frame and will invalidate any claim.

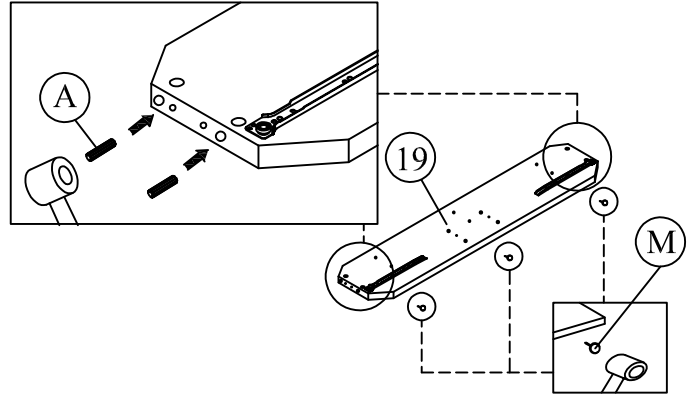
Step 8

Attach the 2x Drawer Runner from pack 2 (8) to the 1x Drawer Frame (19) using hardware 6x M3.5 x 16 mm CSK (E) and screwdriver (not provided).



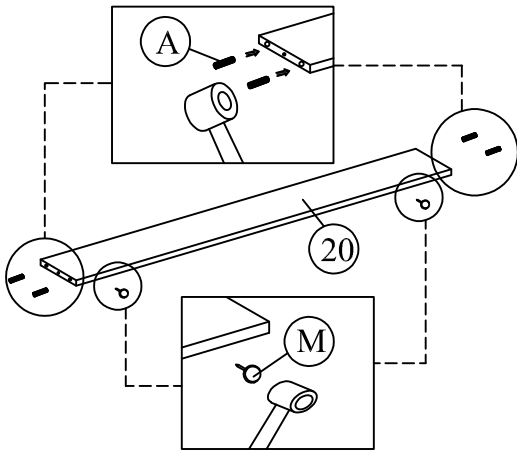
Step 9

Insert hardware 4x Plastic Dowel (A) and 3x White Nail (M) to the 1x Drawer Frame (19) using a small mallet (not provided).



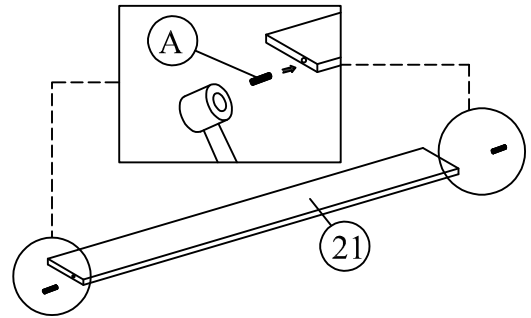
Step 10

Insert hardware 8X Plastic Dowel (A) and 4x White Nail (M) to the 2x Drawer Center Frame (20) using a small mallet (not provided).



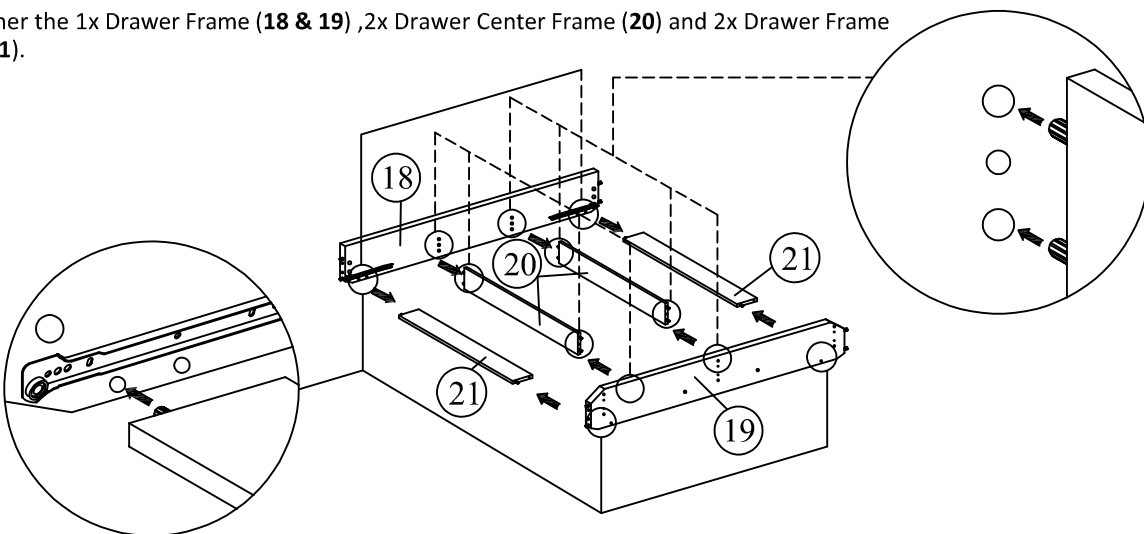
Step 11

Insert hardware 4x Plastic Dowel (A) to the 2x Drawer Frame Support (21) using a small mallet (not provided).



Step 12

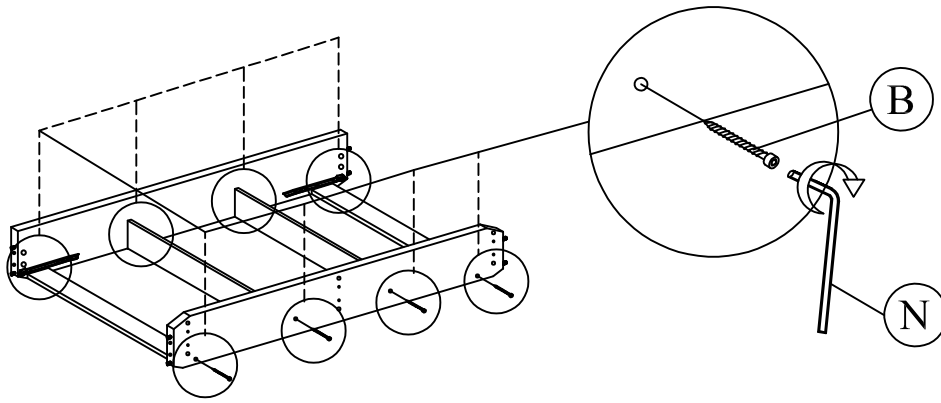
Join together the 1x Drawer Frame (18 & 19), 2x Drawer Center Frame (20) and 2x Drawer Frame Support (21).



DO NOT use any power tools as this may damage the frame and will invalidate any claim.

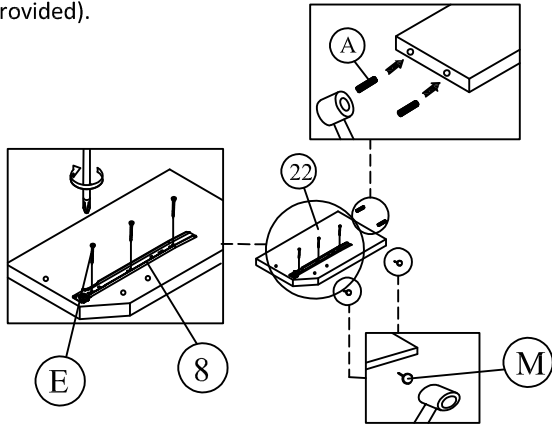
Step 13

Secure the frame using hardware 8x M6 x 40 mm JCBC W (B) and 1x Allen Key (N).



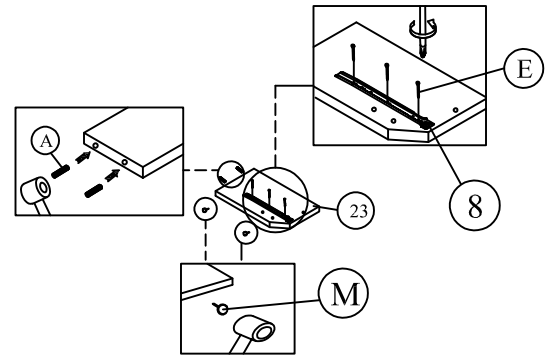
Step 14

Attach the 1x Drawer Runner from pack 2 (8) to the 1x Drawer Frame Divider 1 (22) using hardware 3x M3.5 x 16 mm CSK (E) and screwdriver(not provided).Insert hardware 2x Plastic Dowel (A) and 2x White Nail (M) to the 1x Drawer Frame Divider 1 (22) using a small mallet (not provided).



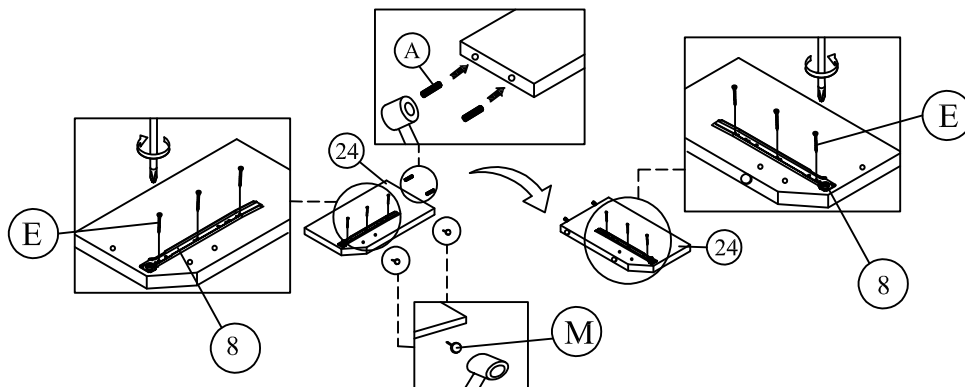
Step 15

Attach the 1x Drawer Runner from pack 2 (8) to the 1x Drawer Frame Divider 2 (23) using hardware 3x M3.5 x 16 mm CSK (E) and screwdriver(not provided).Insert hardware 2x Plastic Dowel (A) and 2x White Nail (M) to the 1x Drawer Frame Divider 2 (23) using a small mallet (not provided).



Step 16

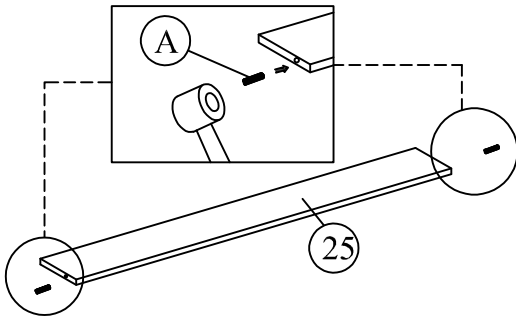
Attach the 1x Drawer Runner from pack 2 (8) to the 1x Drawer Center Divider (24) using hardware 3x M3.5 x 16 mm CSK (E) and screwdriver(not provided).Insert hardware 2x Plastic Dowel (A) and 2x White Nail (M) to the 1x Drawer Center Divider (24) using a small mallet (not provided).Then flip 1x Drawer Runner from pack 2 (8) to the other side and repeat the same step.



DO NOT use any power tools as this may damage the frame and will invalidate any claim.

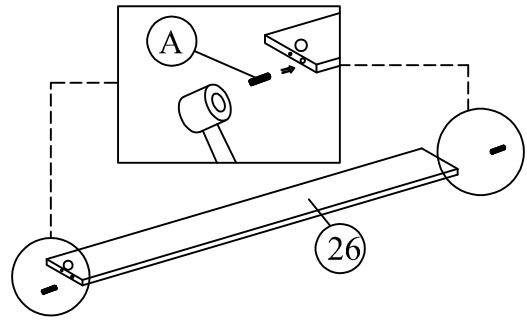
Step 17

Insert hardware 2x Plastic Dowel (A) to the 1x Drawer Frame Support (25) using a small mallet (not provided).



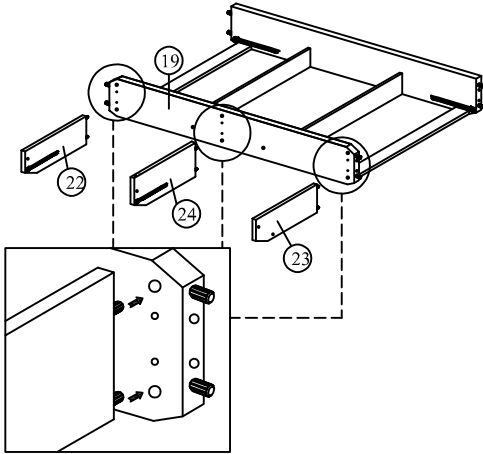
Step 18

Insert hardware 2x Plastic Dowel (A) to the 1x Drawer Frame Support (26) using a small mallet (not provided).



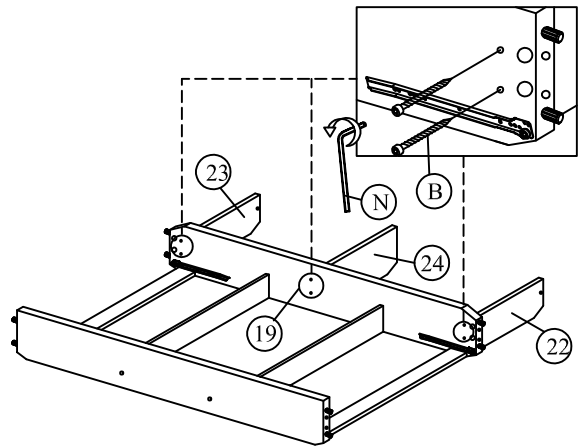
Step 19

Join together the 1x Drawer Frame Divider (22 & 23) and 1x Drawer Center Divider (24) to the 1x Drawer Frame (19) .



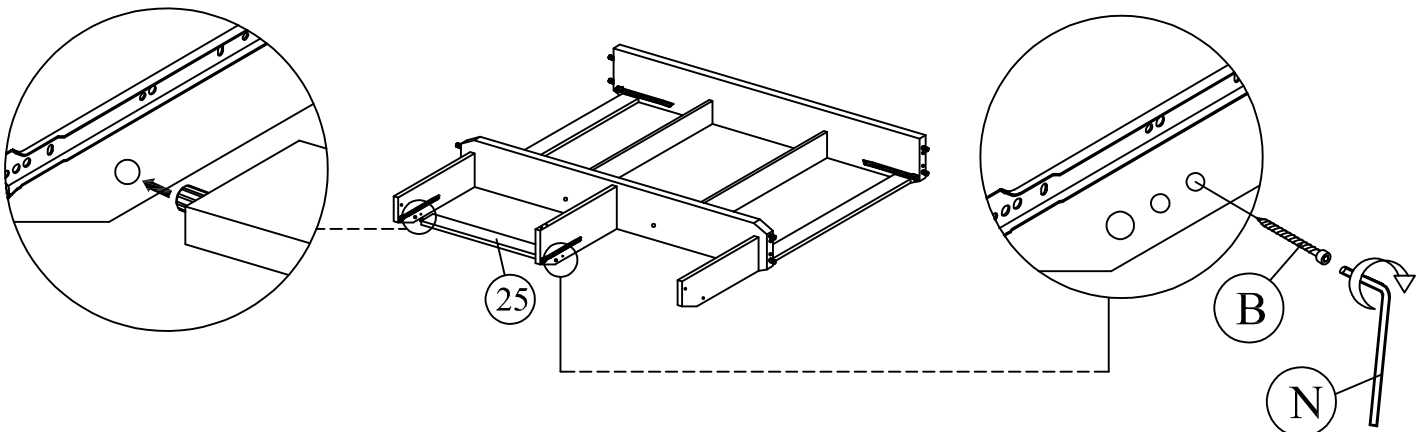
Step 20

Secure the frame using hardware 6x M6 x 40 mm JCBC W (B) and 1x Allen Key (N) .



Step 21

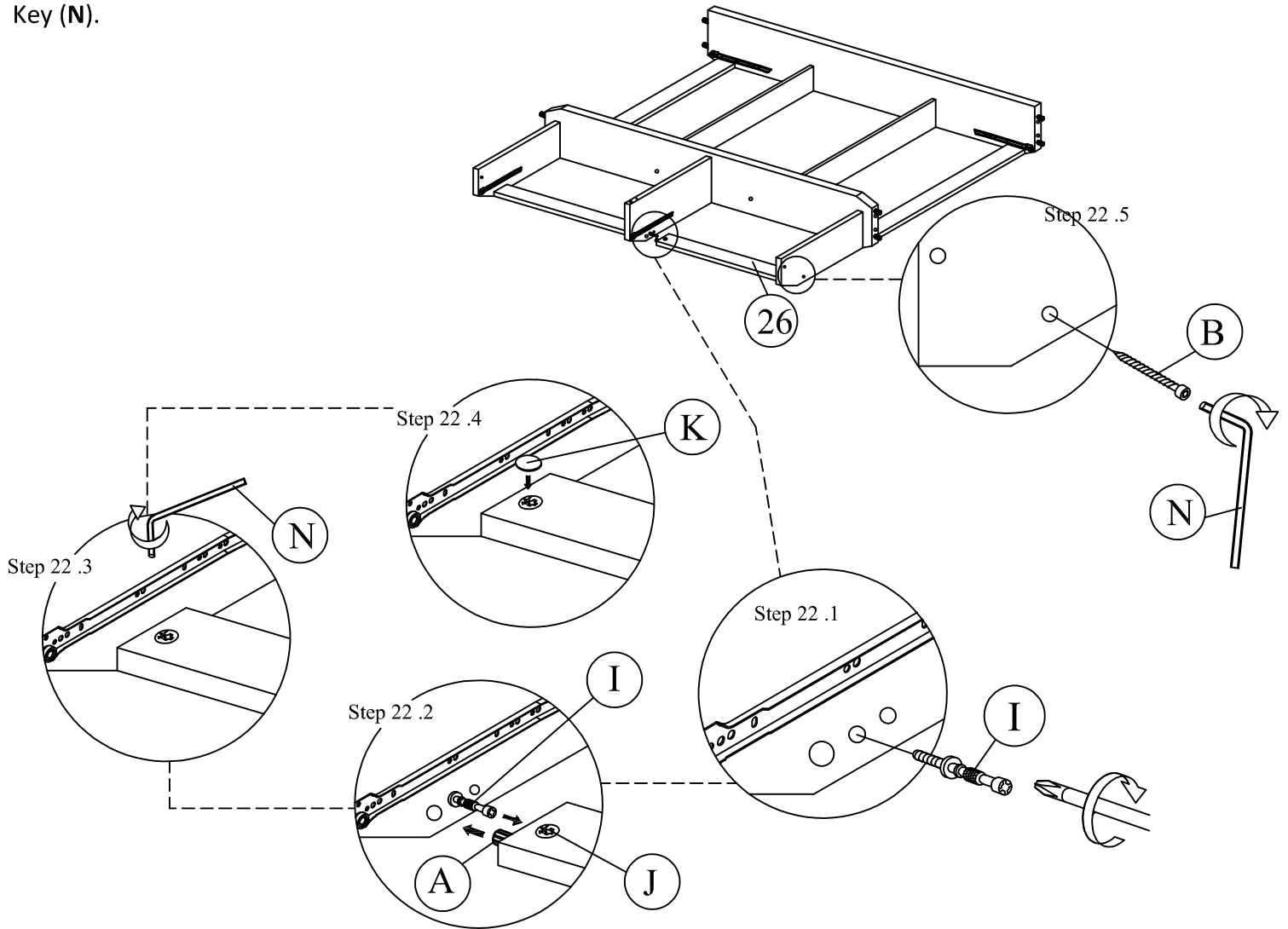
Insert the 1x Drawer Frame Support (25) to the set up frame . Secure the 1x Drawer Frame Support (25) using hardware 2x M6 x 40 mm JCBC W (B) and 1x Allen Key (N) .



DO NOT use any power tools as this may damage the frame and will invalidate any claim.

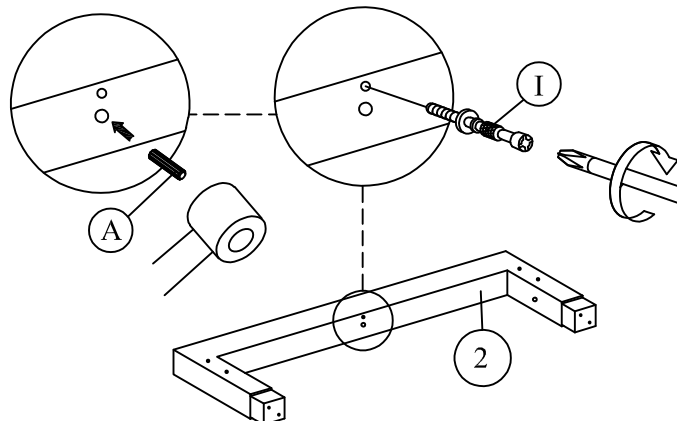
Step 22

Insert the 1x Drawer Frame Support (26) to the set up frame . Secure the 1x Drawer Frame Support (26) using hardware 1x M6 x 40 mm JCBC W (B) ,1x Mini Fix Bolt (I) , 1x Mini fix Housing (J) ,1x Mini Fix Cap (K) and 1x Allen Key (N).



Step 23

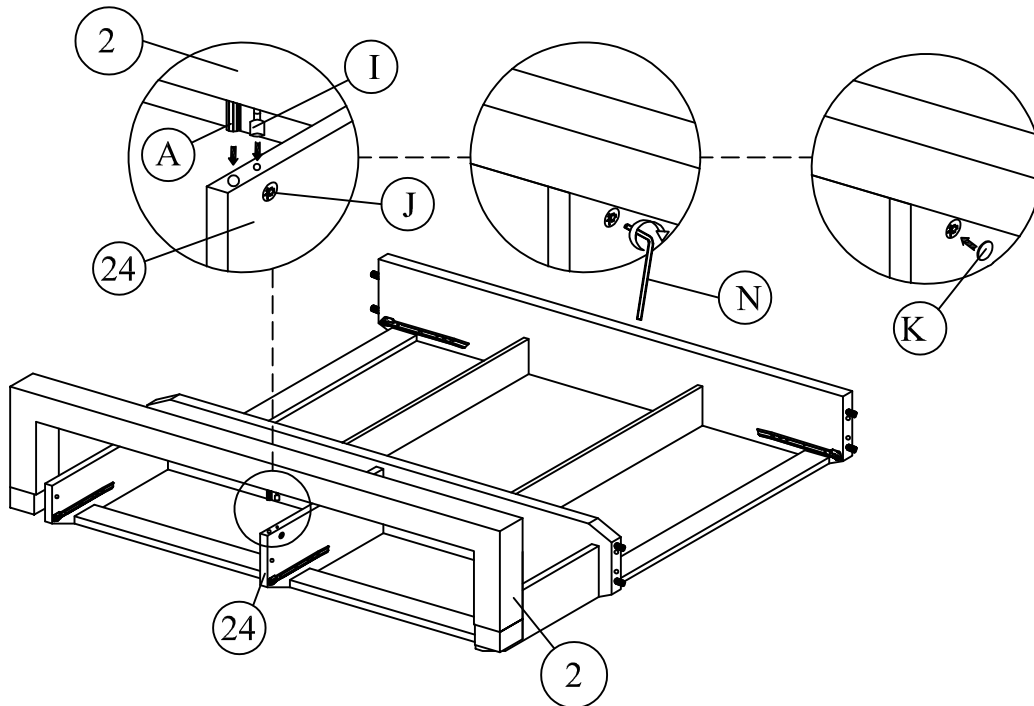
Insert hardware 1x Plastic Dowel (A) to the 1x Footboard (2) using a small mallet (not provided), then insert hardware 1x Mini Fix Bolt (I) using a screwdriver (not provided).



DO NOT use any power tools as this may damage the frame and will invalidate any claim.

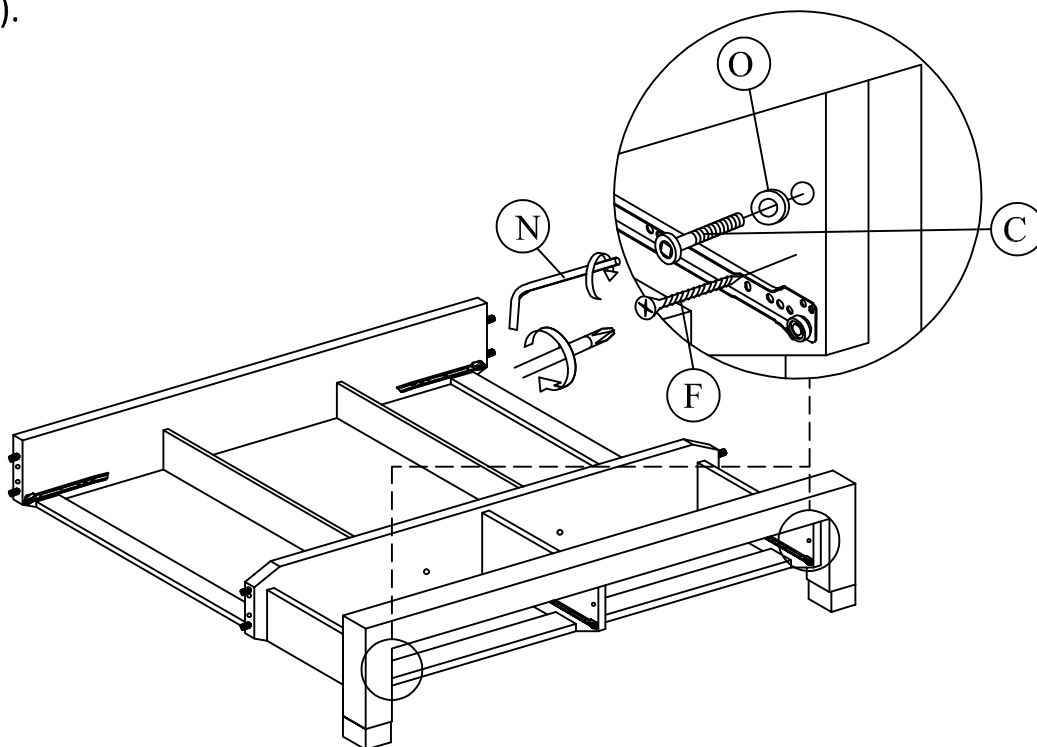
Step 24

Attach the 1x Footboard (2) to the 1x Frame (24) using the screws and hardware 1x Mini Fix Bolt (I) , 1x Mini fix Housing (J) ,1x Mini Fix Cap (K) and 1x Allen Key (N).



Step 25

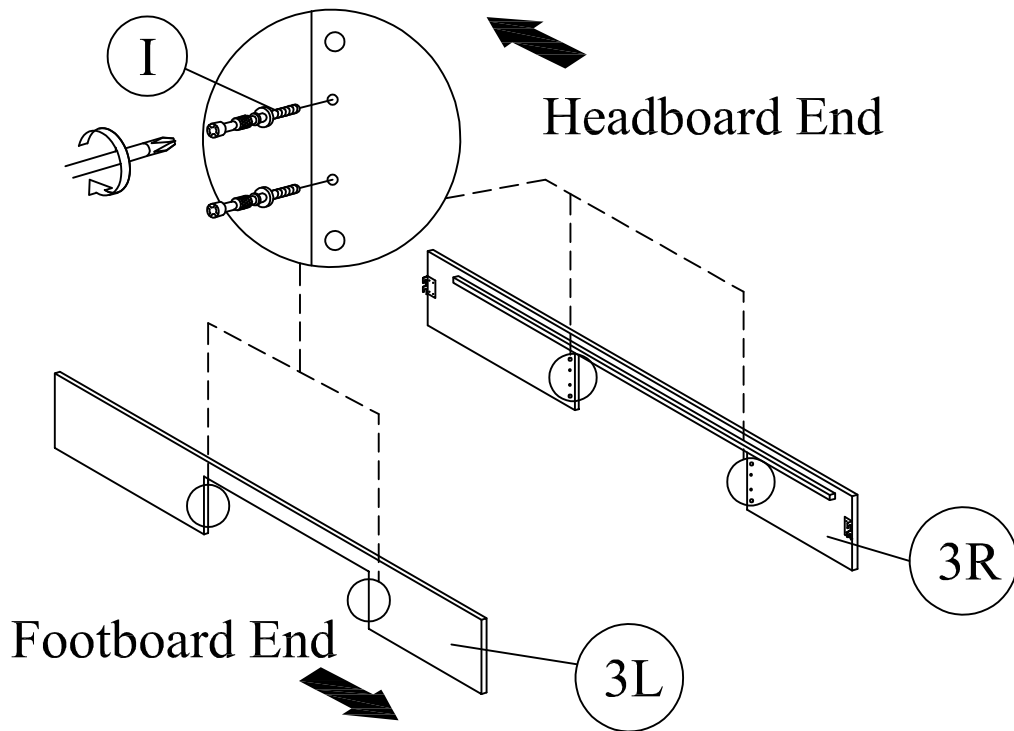
Secure the frame using hardware 2x M6 x 40 mm JCBC (C), 2x M4 x 32 mm CSK (F), 1x Allen Key (N) and 2x M6 Flat Washer (O) with a screwdriver (not provided).



DO NOT use any power tools as this may damage the frame and will invalidate any claim.

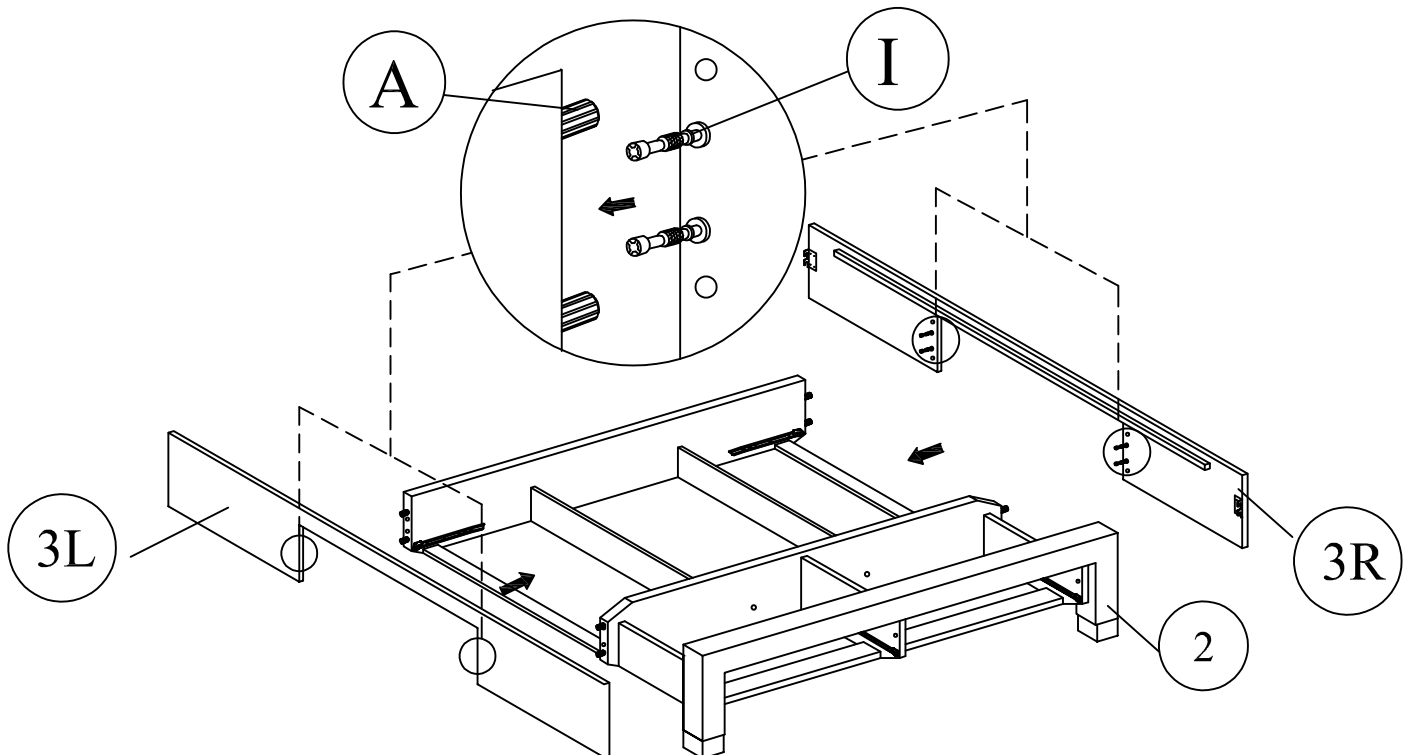
Step 26

Insert hardware 4x Mini Fix Bolt (I) to the 2x Side Rails (3) using a screwdriver (not provided).



Step 27

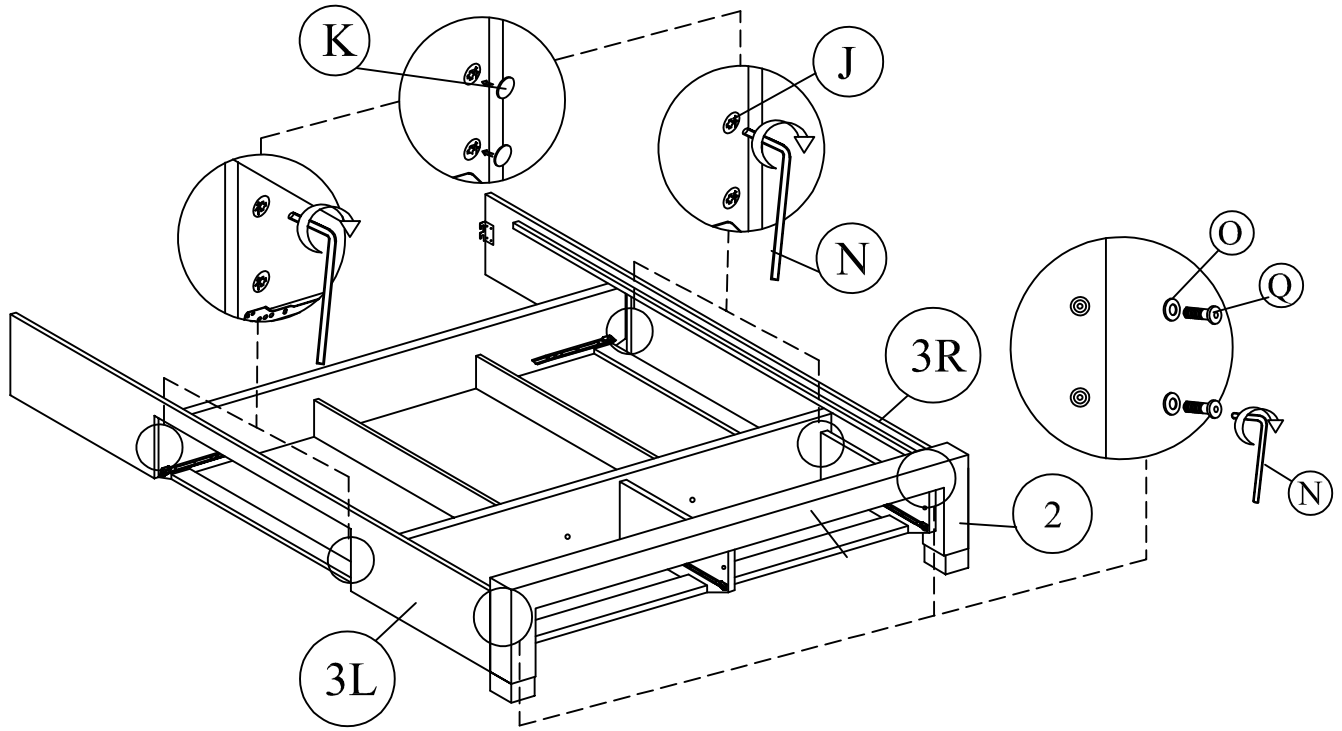
Secure the frame using hardware 8x Plastic Dowel (A) and 8x Mini Fix Bolt (I).



DO NOT use any power tools as this may damage the frame and will invalidate any claim.

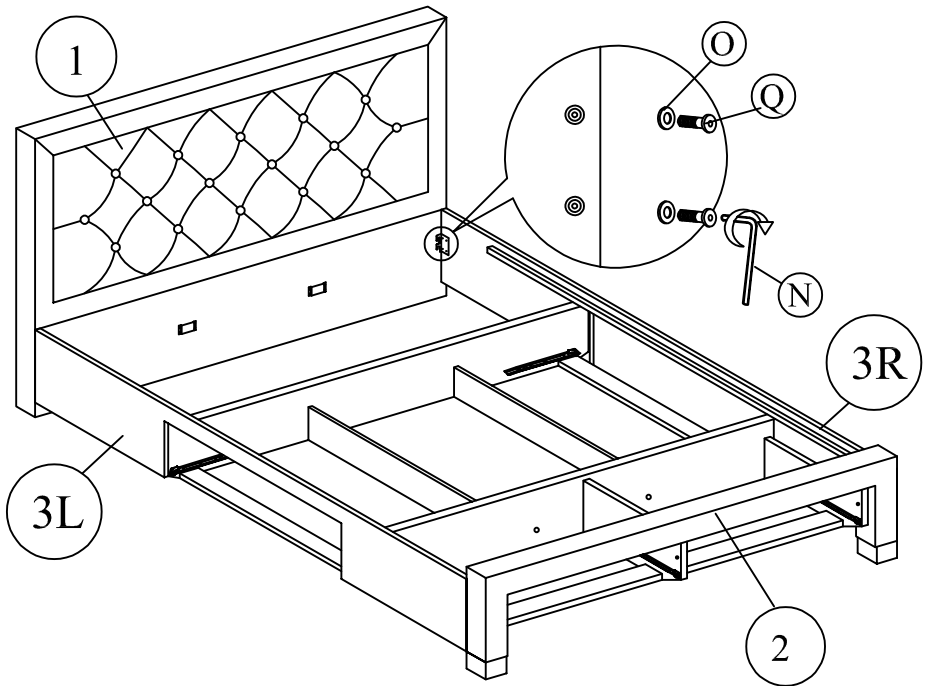
Step 28

Secure the frame using hardware 8x Mini fix Housing (J) ,8x Mini Fix Cap (K) and 1x Allen Key (N).



Step 29

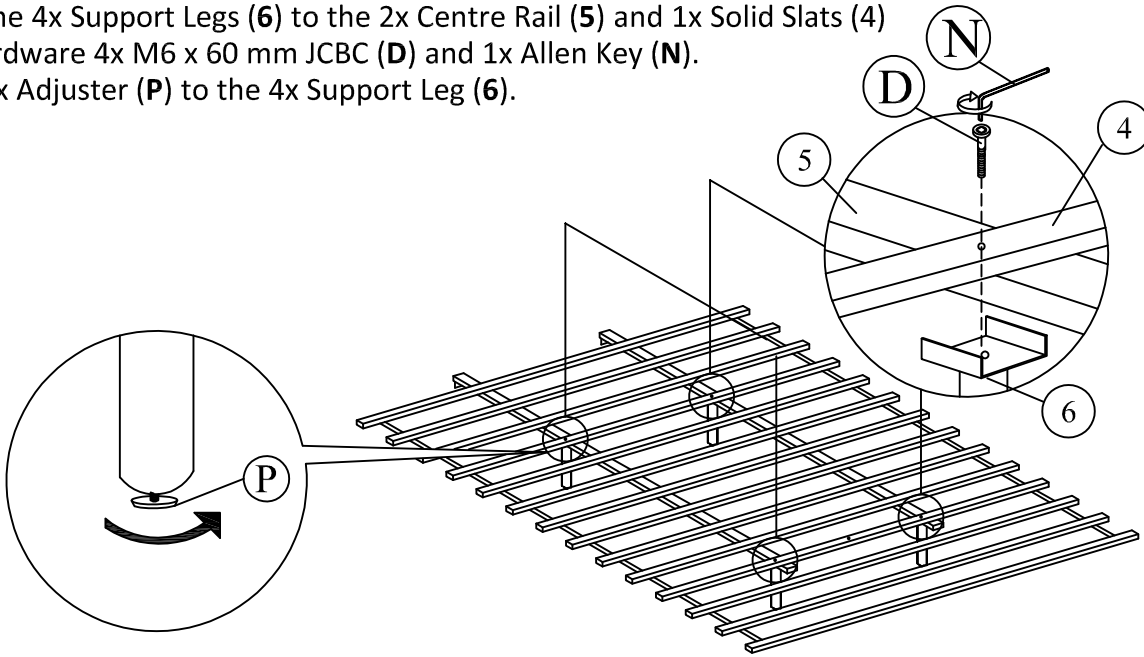
Attach the 1x Headboard (1) and 1x Footboard (2) using the 8x M6 x 30 mm JCBC (Q) & M6 Flat Washer (O) and 1x Allen Key (N).



DO NOT use any power tools as this may damage the frame and will invalidate any claim.

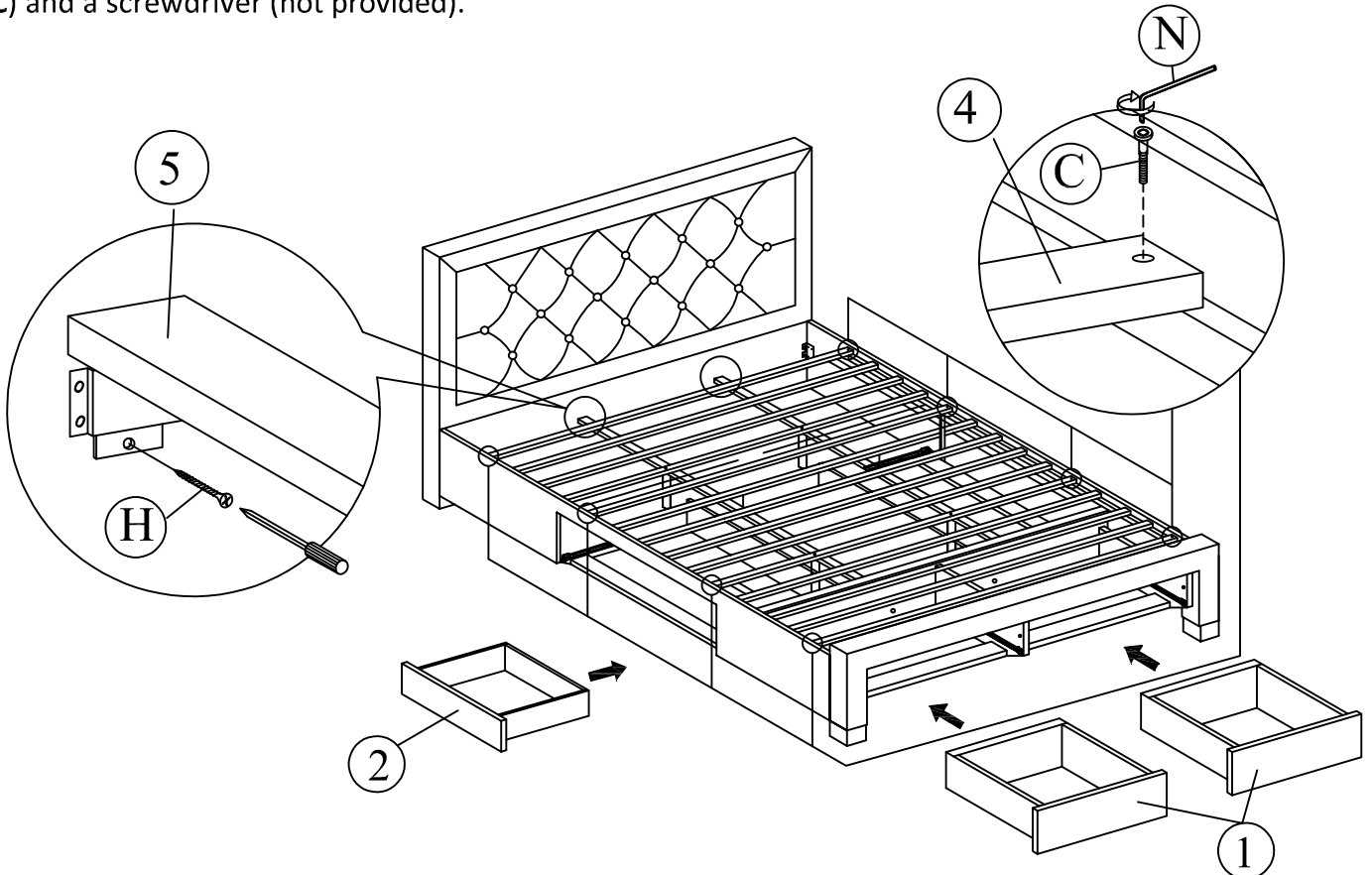
Step 30

Attach the 4x Support Legs (6) to the 2x Centre Rail (5) and 1x Solid Slats (4) using hardware 4x M6 x 60 mm JCBC (D) and 1x Allen Key (N). Attach 4x Adjuster (P) to the 4x Support Leg (6).



Step 31

Place the slat section into the assembled frame and secure to the 1x Headboard (1) using hardware 2x M4 x 25 mm CSK (H) and a screwdriver (not provided). Secure the 1x Solid Slats (4) using hardware 8x M6 x 40 mm JCBC (C) and a screwdriver (not provided).



DO NOT use any power tools as this may damage the frame and will invalidate any claim.