



Birlea

Suppliers of inspiration

Assembly Instructions

Thank you for
purchasing a
Birlea product.

For a chance to win a Love 2 Shop voucher simply post a picture of your new product on your preferred social channels tagging Birlea Furniture and using the hashtag **#ShareYourStyle** and **#Birlea**. One winner will be selected at random each month.

To view our full terms and conditions please visit www.birlea.com

Are you happy with your purchase?

Yes: That's great, we would love to hear more from you. Please leave us a review on our social media channels or Trustpilot. Your feedback will be greatly appreciated.

No: If for any reason there is something missing, indifferent or incorrect with your order, please contact the retailer you purchased the item from. We will work with the retailer to resolve your issue as quickly as possible.



MAYFAIR-Super King

Assembly Instructions

Before you begin...

1. Please check in your desired room of use.
2. Unpack all boxes and lay out each component on the floor.
3. Check your product for any damage that may be immediately obvious. If damage is identified, please contact your retailer.
4. Please read through these instructions thoroughly to ensure you have constructed your bed correctly.

For Care and Maintenance of your bed...

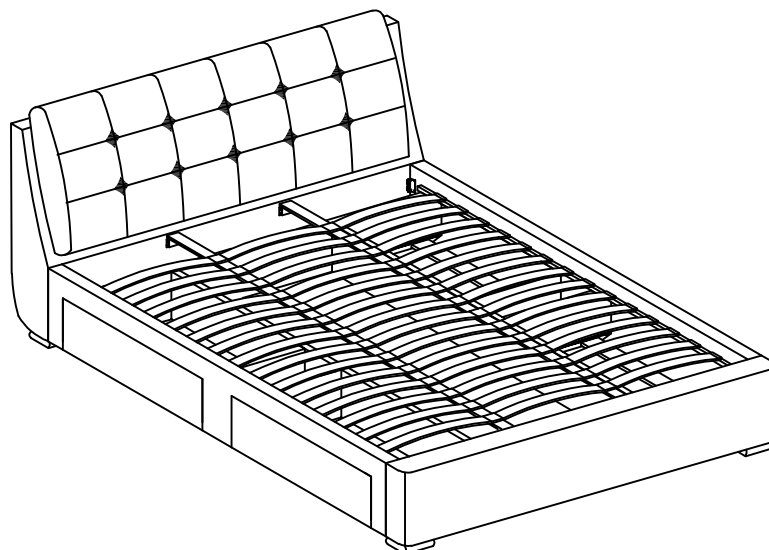
- Always assemble in your desired room of use.
- Always check all screw and fixings periodically to ensure they are still secure.
- Do not push or pull this bed as it will cause damage.
- Always lift this bed with a second person to prevent damage or injury.
- Keep any sharp objects away from this bed frame.

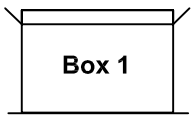
For your Health and Safety...

- Please don't not jump on this bed.
- Do not use this bed if you find missing, damaged or worn parts. Please contact your retailer.
- Please do not use this bed until you have fully secure all fixings.
- Please keep all small components away from children.
- Please ensure this bed is on an even, level surface.

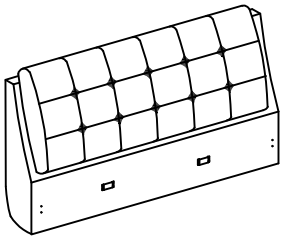
Also...

If your desired room of choice has a non-carpeted surface ensure please that you use some form of anti-slip protection and **do not** place directly on the wooden floor. This will prevent the bed from moving and therefore collapsing which will void your guarantee...

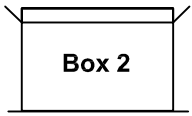




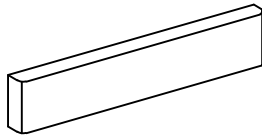
Box 1



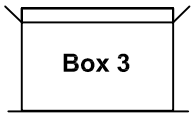
1.Headboard (x1)



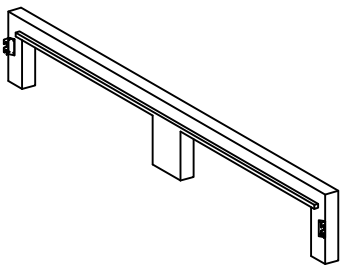
Box 2



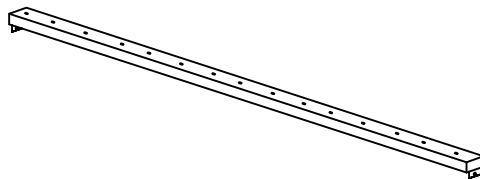
2.Footboard (x1)



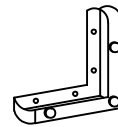
Box 3



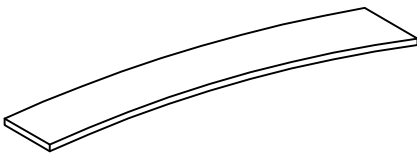
3.Siderail (x2)



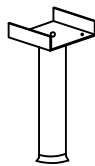
4. Centre Rail (x2)



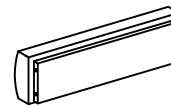
9.Legs (x4)



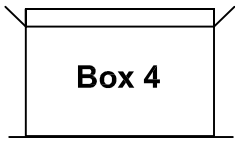
5.Slats (x42)



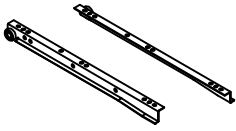
8.Support Legs (x4)



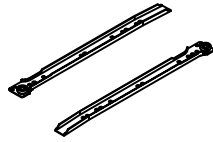
10.Drawer Front Panel (x4)



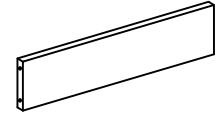
Box 4



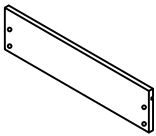
6. Drawer Runner Pack 1
(x8)



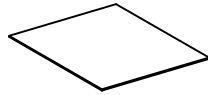
7. Drawer Runner Pack 2
(x8)



11. Drawer Back Panel
(x4)



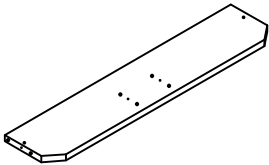
12. Drawer Side Panel
(x8)



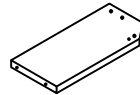
13. Drawer Bottom Panel
(x4)



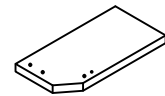
14. Drawer Support (x8)



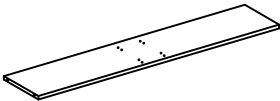
15. Drawer Holder Side Panel
(x2)



16. Drawer Divider 1 (x2)



17. Drawer Divider 2 (x2)



18. Drawer Frame Cross Bar
(x2)

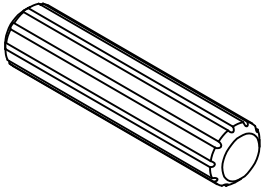


19. Drawer Frame Support
(x4)

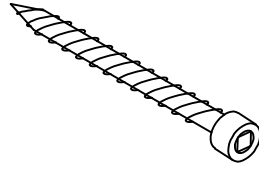


Hardware

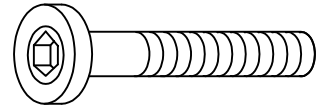
All fitting are stored within Box 3



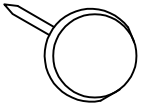
**A. Plastic Dowel (8 x 25)
(x24)**



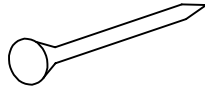
**B. M6 x 40 mm JCBC W
(x24)**



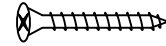
**C. M6 x 40 mm JCBC
(x20)**



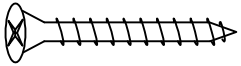
**D. White Nail Leg
(x20)**



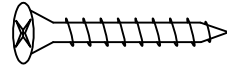
**E. Power Nail 6/8
(x48)**



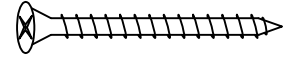
**F. M3.5 x 16 mm CSK
(x48+1)**



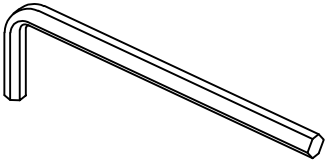
**G. M4 x 25 mm CSK
(x16)**



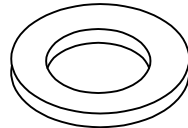
**H. M4 x 32 mm CSK
(x16)**



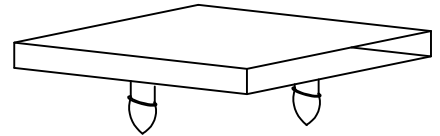
**I. M4 x 50 mm CSK
(x32)**



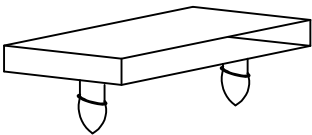
**J. Allen Key 65 mm
(x1)**



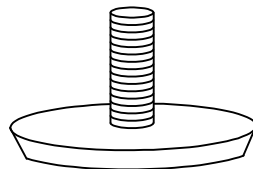
**K. M6 Flat Washer
(x24)**



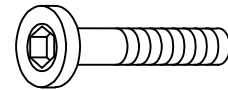
L. Middle Slat Cap (x28)



M. End Slat Cap (x28)



N. Adjuster (x4)

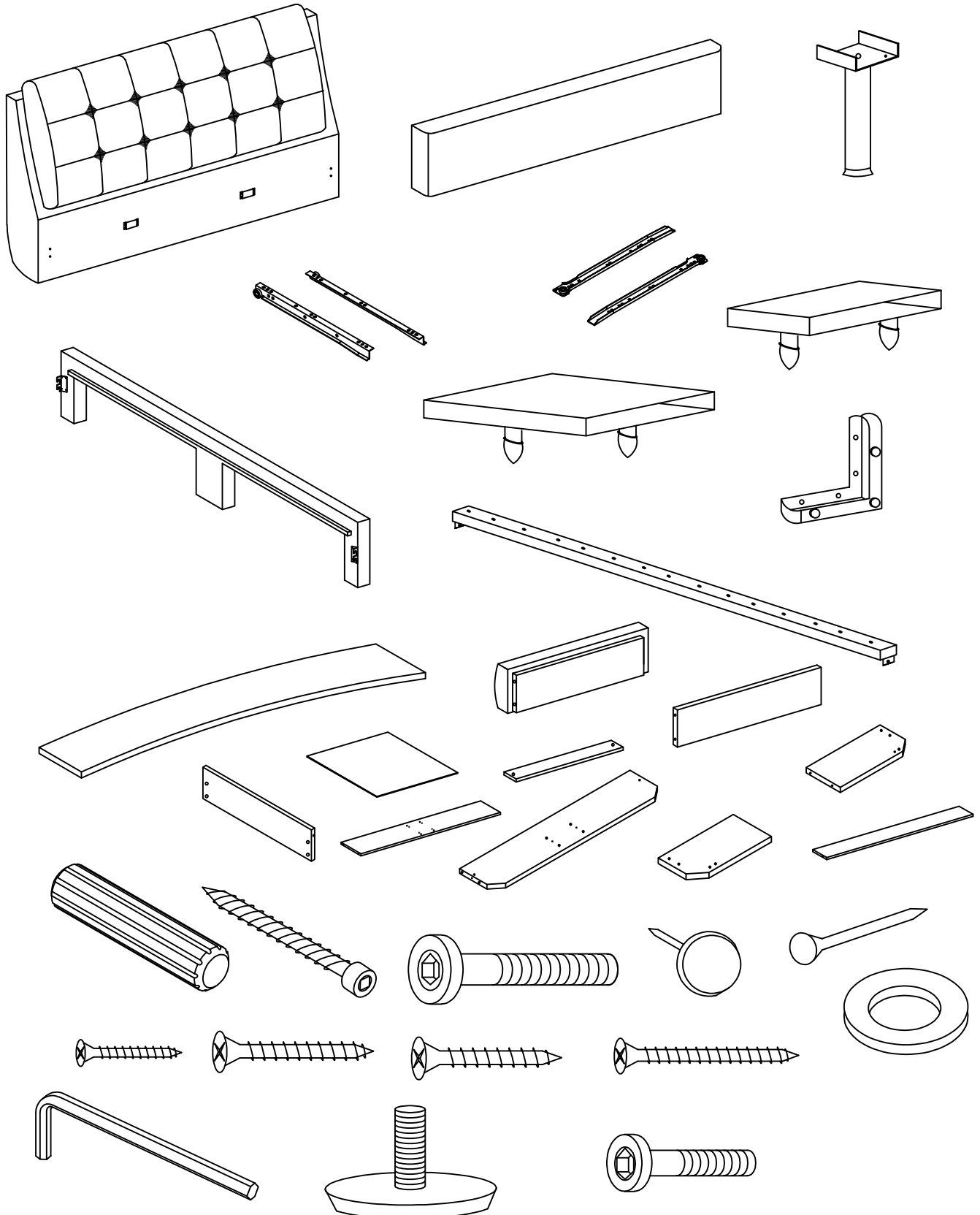


**O. M6 x 30 mm JCBC
(x8)**

***You will need a screwdriver (not provided)**

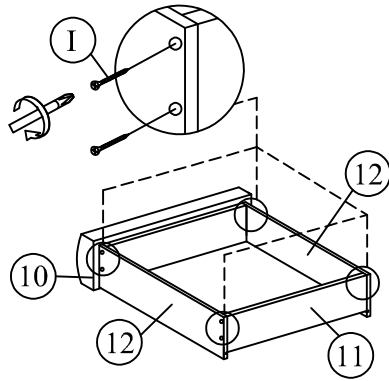
Step 1

Unpack all components from the boxes and check you are not missing anything. Please check these against the list on page 3 & 4 and should you identify any missing components, please contact the retailer you purchased the bed from.



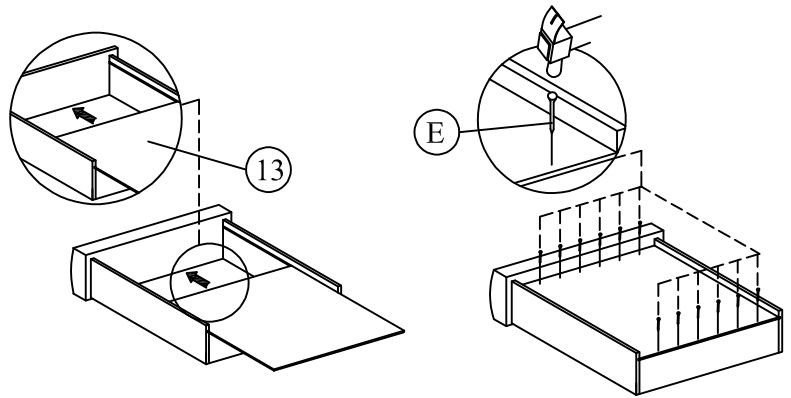
Step 2

Join together the 1x Drawer Front Panel (10), 1x Drawer Back Panel (11) and 2x Drawer Side Panel (12) using hardware 8x M4 x 50 mm CSK (I) and screwdriver (not provided). Repeat for the remaining drawer.



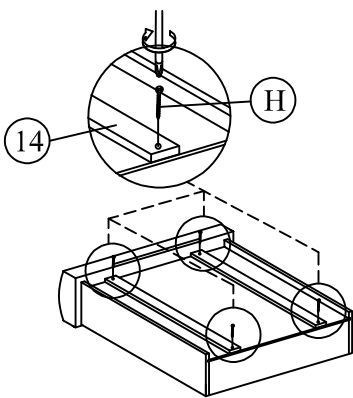
Step 3

Slide the 1x Drawer Bottom Panel (13) into position on all Two drawer. Secure with hardware 12x Power Nail (E) and small mallet (not provided).



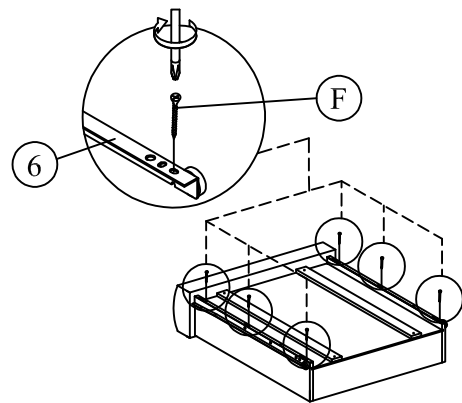
Step 4

Secure the 2x Drawer Support (14) using hardware 4x M4 x 32mm CSK (H) and screwdriver (not provided).



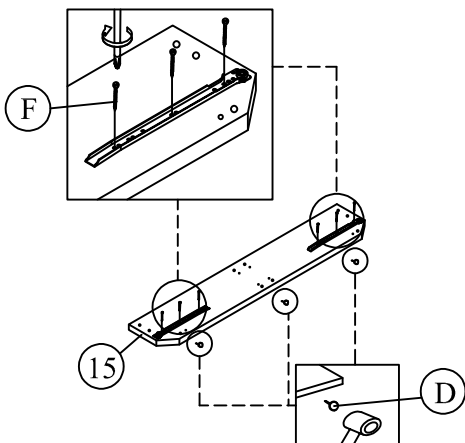
Step 5

Attach the 4x Drawer Runner From Pack 1 (6) using hardware 12x M3.5 x 16 mm CSK (F) and screwdriver (not provided).



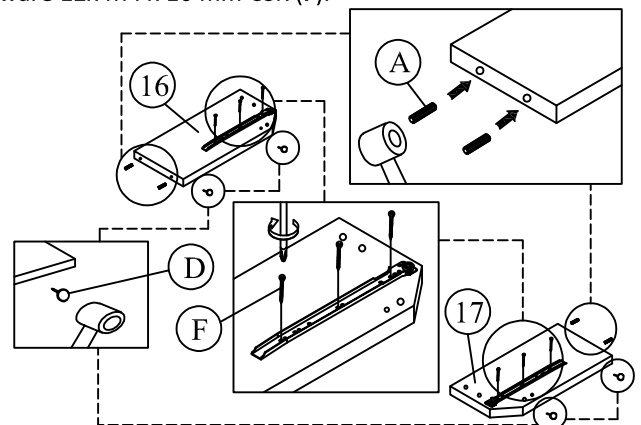
Step 6

Attach the 4x Drawer Runner From Pack 2 (7) to the 2x Drawer Holder Side Panel (15) using hardware 12x M3.5 x 16 mm CSK (F) and screwdriver (not provided).



Step 7

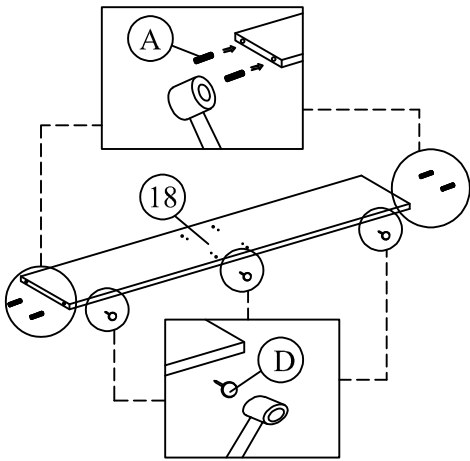
Insert hardware 8x Plastic Dowel (A) and 4x White Nail Leg (D) to the 1x Drawer Divider 1 (16) and 1x Drawer Divider 2 (17) using a small mallet (not provided). Attach 4x Drawer Runner (7) using hardware 12x M4 x 16 mm CSK (F).



DO NOT use any power tools as this may damage the frame and will invalidate any claim.

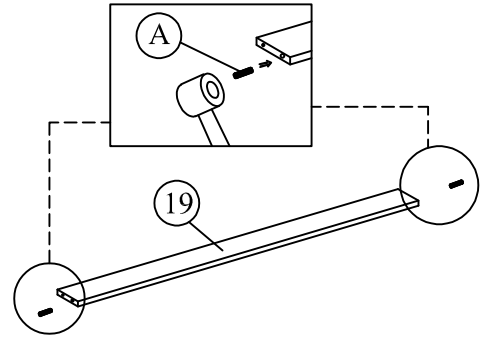
Step 8

Insert hardware 8x Plastic Dowel (A) and 6x White Nail Leg (D) to the 2x Drawer Frame Cross Bar (18) using a small mallet (not provided).



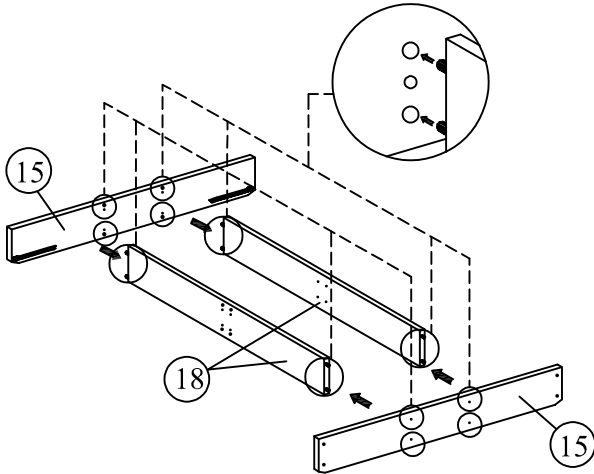
Step 9

Insert hardware 8x Plastic Dowel (A) to the 4x Drawer Frame Support (19) using a small mallet (not provided).



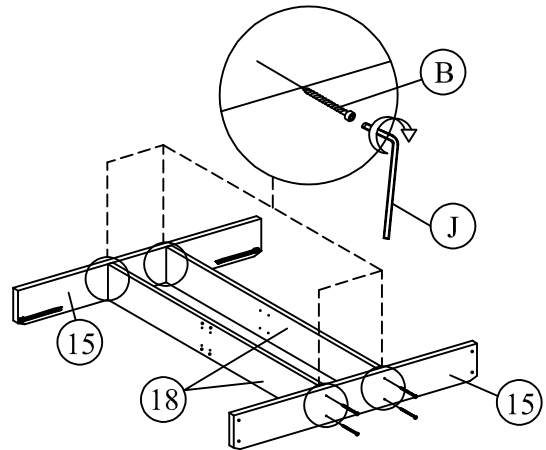
Step 10

Join together the 2x Drawer Frame Cross Bar (18) to the 2x Drawer Holder Side Panel (15).



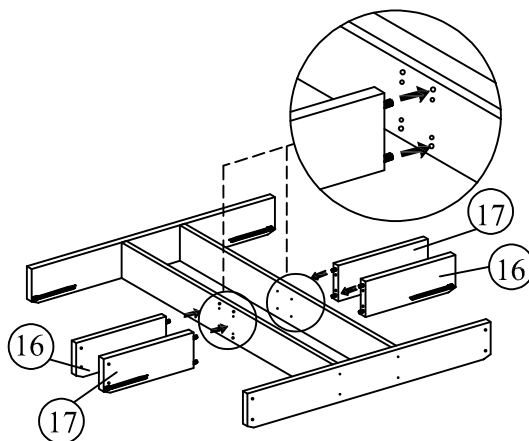
Step 11

Secure the frame using hardware 8x M6 x 40 mm JCBC W (B) and 1x Allen Key (J).



Step 12

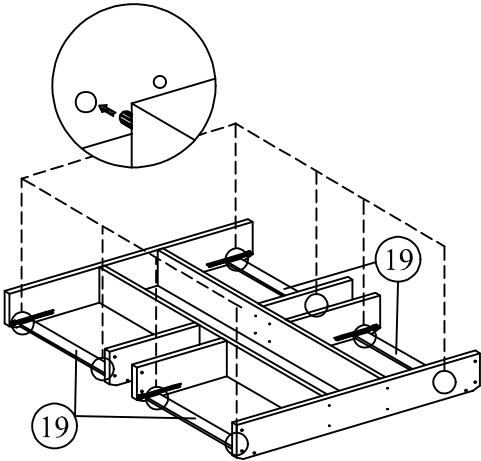
Attach the 4x drawer frame dividers (16) and (17).



DO NOT use any power tools as this may damage the frame and will invalidate any claim.

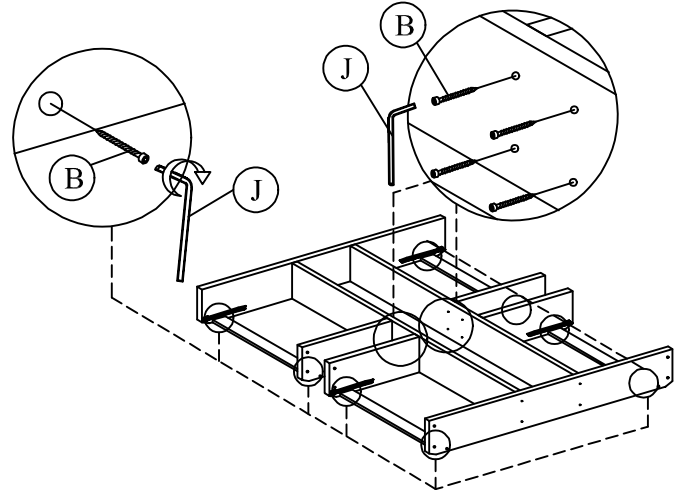
Step 13

Insert the 4x drawer frame support (19) .



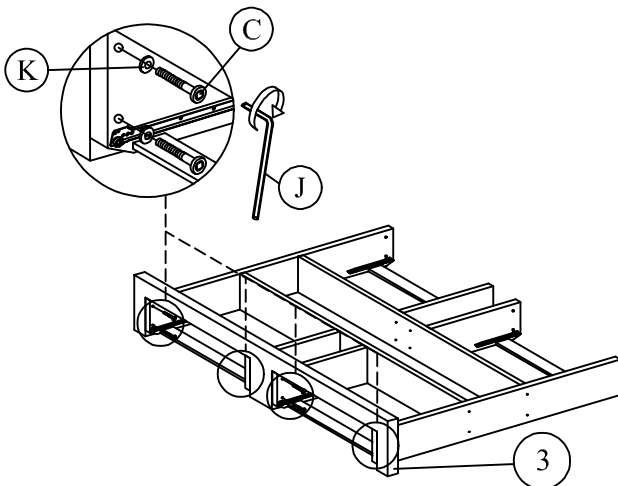
Step 14

Secure the frame using hardware 8x M6 x 40 mm JCBC W (B) and 1x Allen Key (J) .



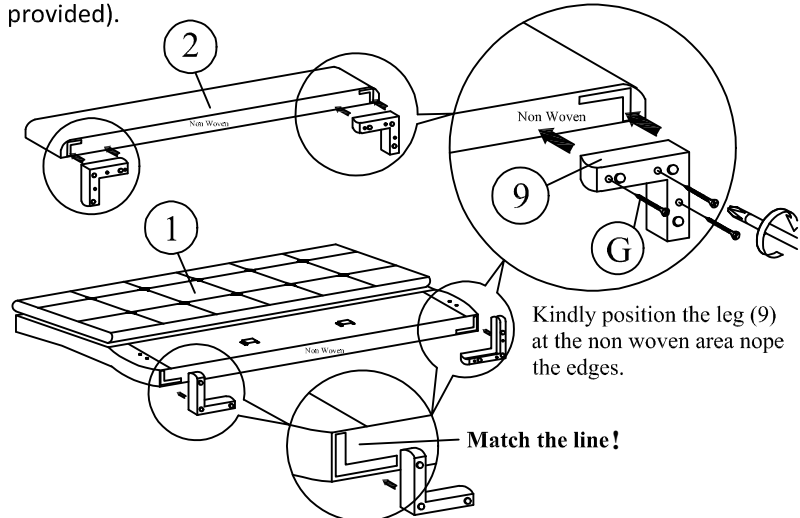
Step 15

Attach the 1x side rails (3) using hardware 8x M6 x 40 mm JCBC (C) and 8x M6 Flat Washer (K) using 1x Allen Key (J). Repeat for the other side rails.



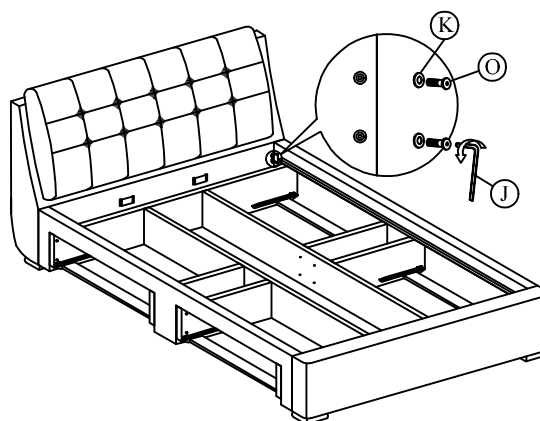
Step 16

Attach the 4x legs (9) to the 1x headboard (1) and footboard (2) using hardware 12x M4 x 25 mm CSK (G) and a screwdriver (not provided).



Step 17

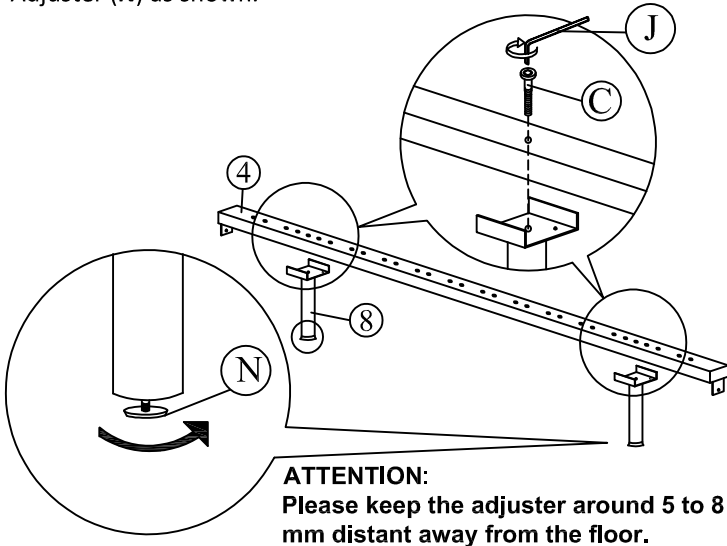
Secure the 1x headboard (1) and 1x footboard (2) using hardware the 8x M6 x 30 mm JCBC (O) and 8x M6 Flat Washer (K) and 1x Allen Key (J).



DO NOT use any power tools as this may damage the frame and will invalidate any claim.

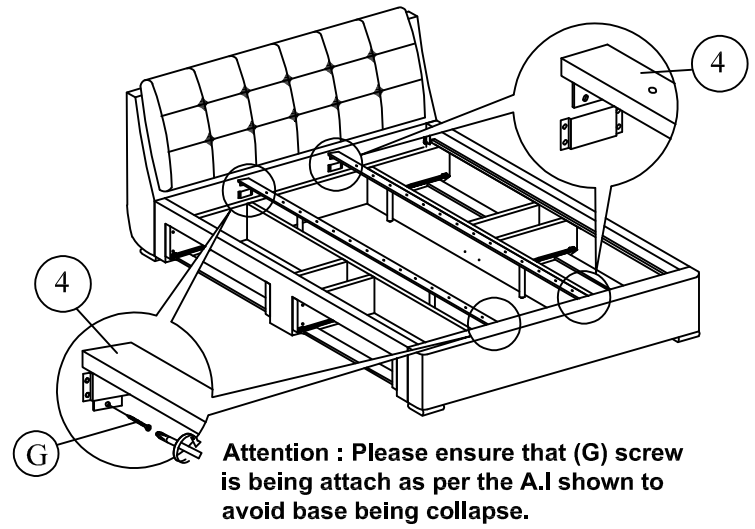
Step 18

Attach the 4x support legs (8) to the 2x centre rail (4) using hardware 4x M6 x 40 mm JCBC (C) and 1x Allen Key (J). Add 4x Adjuster (N) as shown.



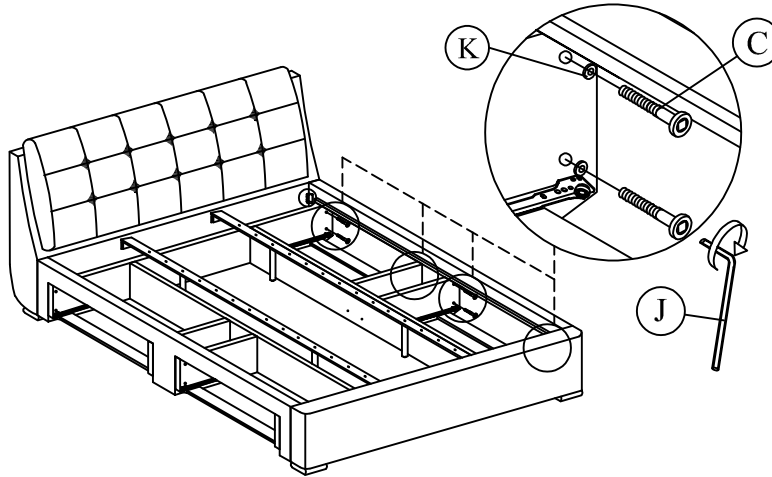
Step 19

Secure the 2x centre rail (4) into position using hardware 4x M4 x 25 mm CSK (G) and a screwdriver (not provided).



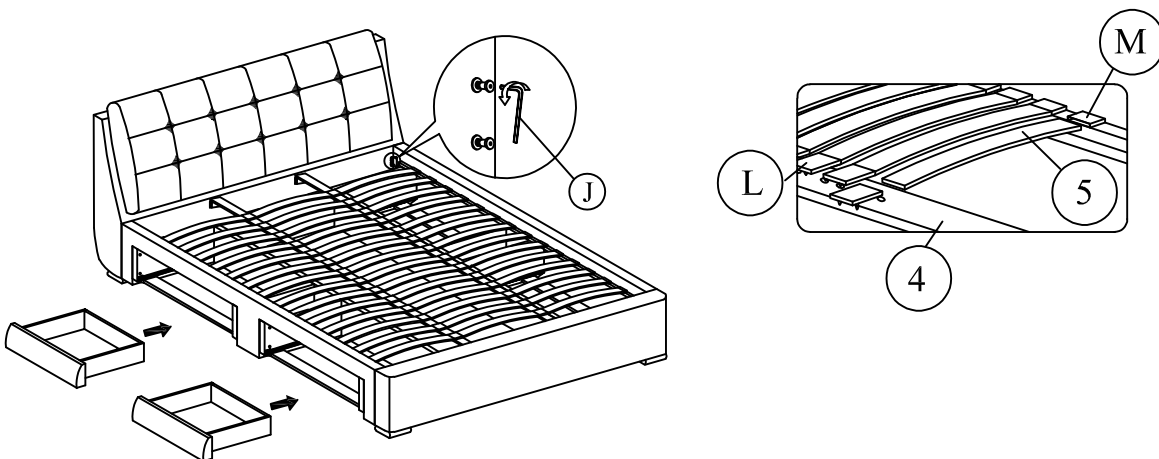
Step 20

Secure the frame using hardware 8x M6 x 40 mm JCBC (C) and 8x M6 Flat Washer (K) and 1x Allen Key (J).



Step 21

Attach the 42X Slats (5) into the 28x Middle slat caps (L) and 28x End slat caps (M), then secure the frame using 1x Allen Key (J).



DO NOT use any power tools as this may damage the frame and will invalidate any claim.