



# Birlea

Suppliers of inspiration

## Assembly Instructions

Thank you for  
purchasing a  
**Birlea** product.

For a chance to win a Love 2 Shop voucher simply post a picture of your new product on your preferred social channels tagging Birlea Furniture and using the hashtag **#ShareYourStyle** and **#Birlea**. One winner will be selected at random each month.

To view our full terms and conditions please visit [www.birlea.com](http://www.birlea.com)

### Are you happy with your purchase?

**Yes:** That's great, we would love to hear more from you. Please leave us a review on our social media channels or Trustpilot. Your feedback will be greatly appreciated.

**No:** If for any reason there is something missing, indifferent or incorrect with your order, please contact the retailer you purchased the item from. We will work with the retailer to resolve your issue as quickly as possible.



# VALENTINO-King

## Assembly Instructions

### Before you begin...

1. Please check in your desired room of use.
2. Unpack all boxes and lay out each component on the floor.
3. Check your product for any damage that may be immediately obvious. If damage is identified, please contact your retailer.
4. Please read through these instructions thoroughly to ensure you have constructed your bed correctly.

### For Care and Maintenance of your bed...

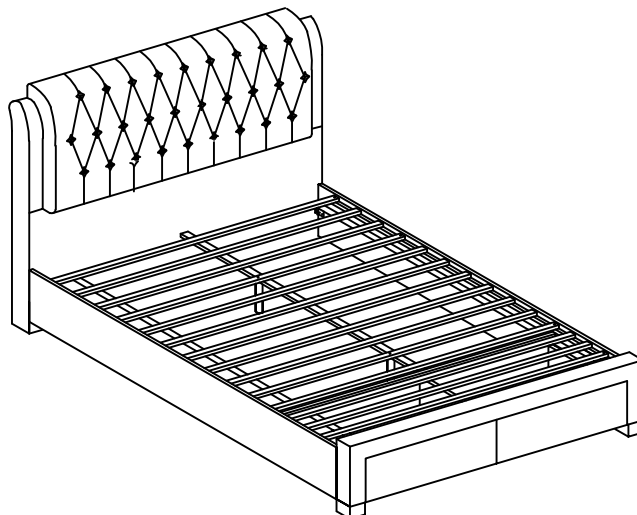
- Always assemble in your desired room of use.
- Always check all screw and fixings periodically to ensure they are still secure.
- Do not push or pull this bed as it will cause damage.
- Always lift this bed with a second person to prevent damage or injury.
- Keep any sharp objects away from this bed frame.

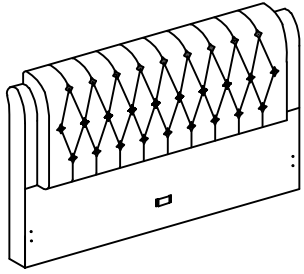
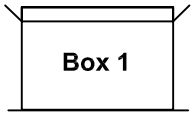
### For your Health and Safety...

- Please don't not jump on this bed.
- Do not use this bed if you find missing, damaged or worn parts. Please contact your retailer.
- Please do not use this bed until you have fully secure all fixings.
- Please keep all small components away from children.
- Please ensure this bed is on an even, level surface.

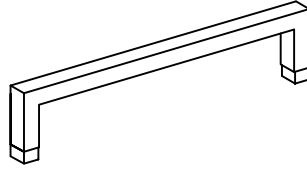
### Also...

If your desired room of choice has a non-carpeted surface ensure please that you use some form of anti-slip protection and **do not** place directly on the wooden floor. This will prevent the bed from moving and therefore collapsing which will void your guarantee...

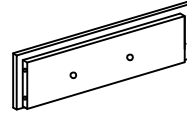




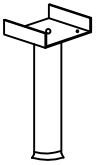
1. Headboard (x1)



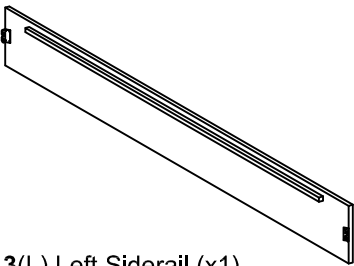
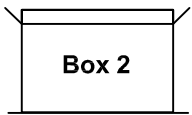
2. Footboard (x1)



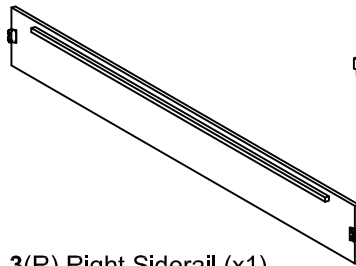
9. Drawer Front Panel (x2)



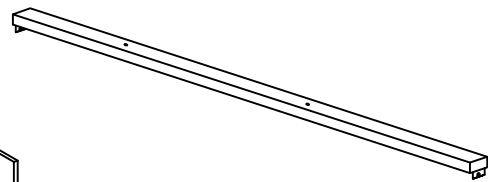
6. Support Legs (x2)



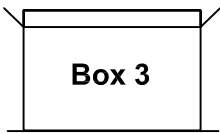
3(L). Left Siderail (x1)



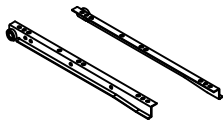
3(R). Right Siderail (x1)



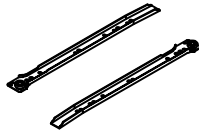
5. Centre Rail (x1)



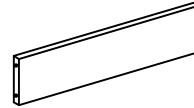
Box 3



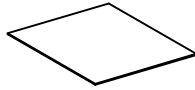
7. Drawer Runner Pack 1 (x4)



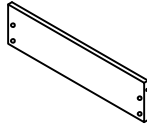
8. Drawer Runner Pack 2 (x4)



10. Drawer Back Panel (x2)



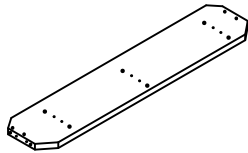
11. Drawer Bottom Panel (x2)



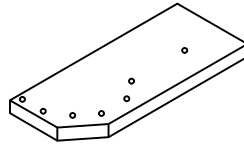
12. Drawer Side Panel (x4)



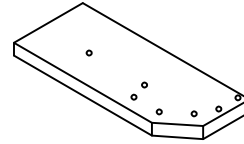
13. Drawer Support (x4)



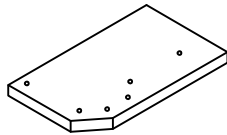
14. Drawer Holder Side Panel (x1)



15. Drawer Frame Divider 1 (x1)



16. Drawer Frame Divider 2 (x1)



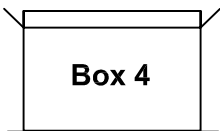
17. Drawer Centre Divider (x1)



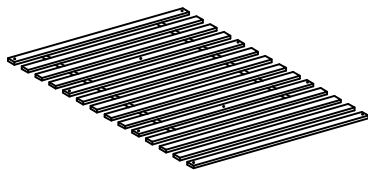
18. Drawer Frame Support (x1)



19. Drawer Frame Support (x1)



Box 4

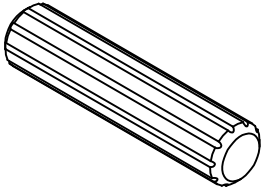


4. Slat (x1)

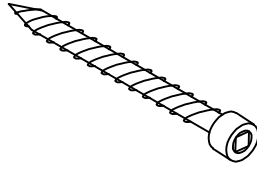


**Hardware**

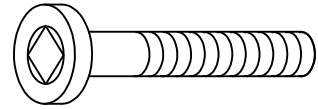
All fitting are stored within Box 1



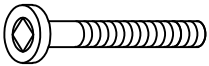
**A. Plastic Dowel ( 8 x 25 )  
(x15)**



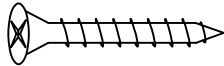
**B. M6 x 40 mm JCBC W  
(x9)**



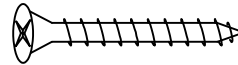
**C. M6 x 40 mm JCBC  
(x10)**



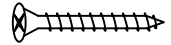
**D. M6 x 60 mm JCBC  
(x2)**



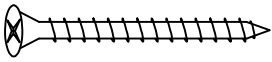
**E. M3.5 x 16 mm CSK  
(x24+1)**



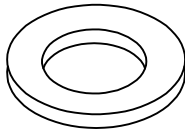
**F. M4 x 25 mm CSK  
(x1)**



**G. M4 x 32 mm CSK  
(x10)**



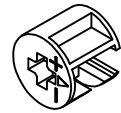
**H. M4 x 50 mm CSK  
(x16)**



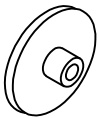
**I. M6 Flat Washer  
(x10)**



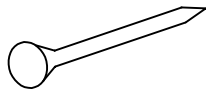
**J. Mini Fix Bolt  
(x6)**



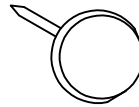
**K. Mini fix Housing  
(x6)**



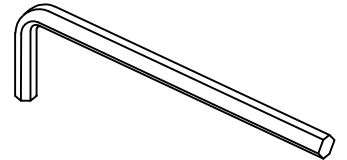
**L. Mini Fix Cap  
(x6)**



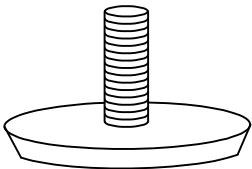
**M. Power Nail 6/8  
(x24)**



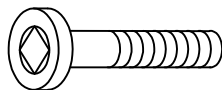
**N. White Nail Leg  
(x9)**



**O. Allen Key 65 mm  
(x1)**



**P. Adjuster (x2)**

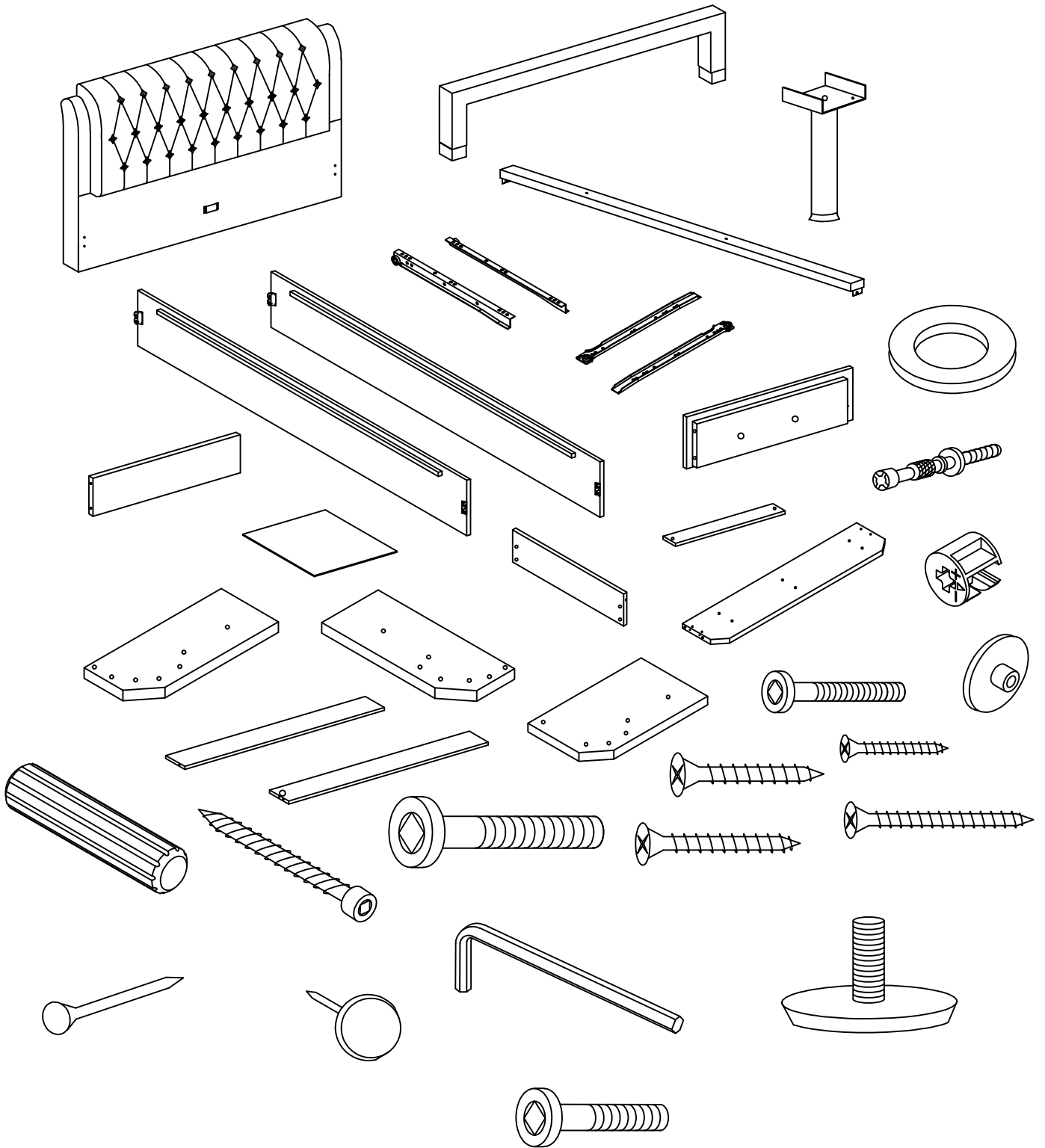


**Q. M6 x 30 mm JCBC  
(x8)**

**\*You will need a screwdriver (not provided)**

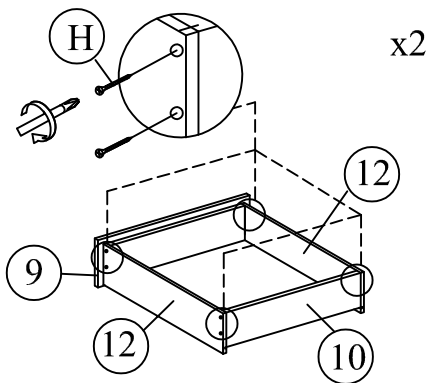
# Step 1

Unpack all components from the boxes and check you are not missing anything. Please check these against the list on page 3, 4 & 5 and should you identify any missing components, please contact the retailer you purchased the bed from.



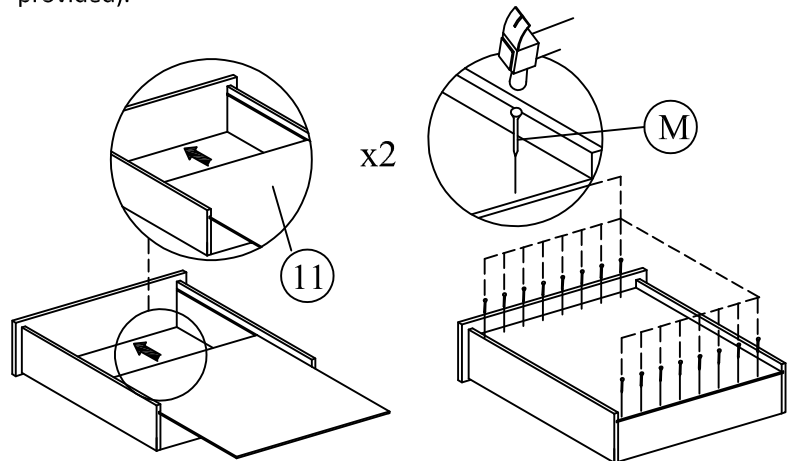
### Step 2

Join together the 1x Drawer Front Panel (9), 1x Drawer Back Panel (10) and 2x Drawer Side Panel (12) using hardware 8x M4 x 50 mm CSK (H) and screwdriver (not provided). Repeat for the remaining drawer.



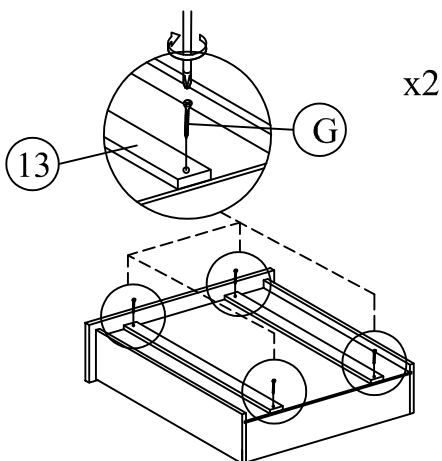
### Step 3

Slide the 1x Drawer Bottom Panel (11) into position on all Two drawer. Secure with hardware 12x Power Nail (M) and small mallet (not provided).



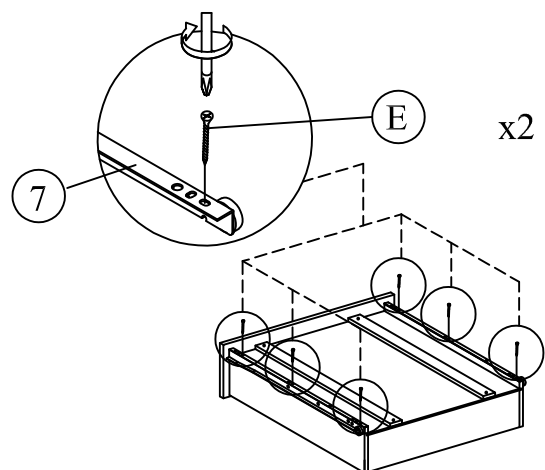
### Step 4

Secure the 2x Drawer Support (13) using hardware 4x M4 x 25mm CSK (G) and screwdriver (not provided).



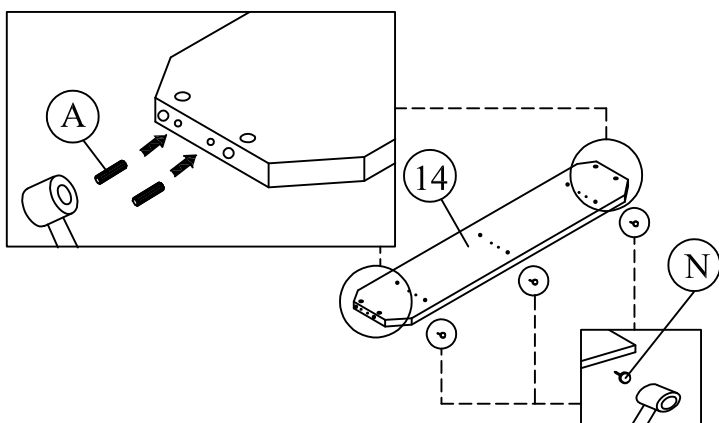
### Step 5

Attach the 4x Drawer Runner From Pack 1 (7) using hardware 12x M3.5 x 16 mm CSK (E) and screwdriver (not provided).



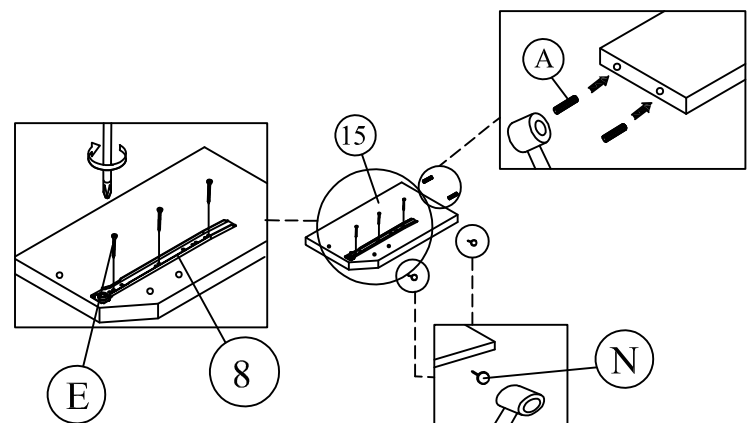
### Step 6

Insert hardware 4x Plastic Dowel (A) and N to the 1x Drawer Holder Side Panel (14) using a small mallet (not provided).



### Step 7

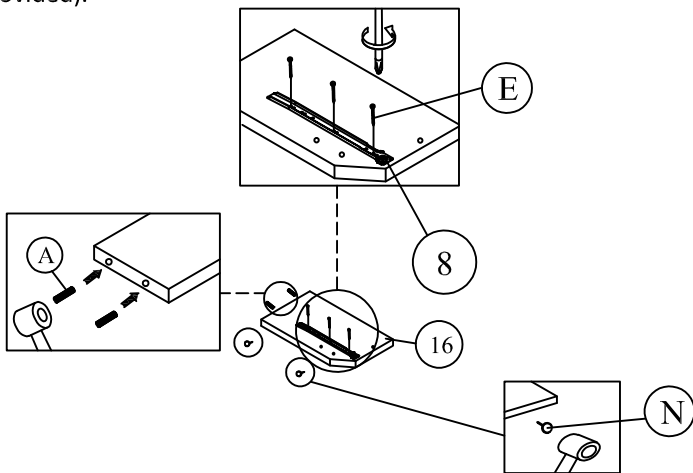
Attach the 1x drawer runners from pack 2 (8) to the 1x Drawer Frame Divider 1 (15) using hardware 3x M3.5 x 16 mm CSK (E) and a screwdriver (not provided). Insert hardware 2x Plastic Dowel (A) and 2x White Nail (N) using a small mallet (not provided).



**DO NOT use any power tools as this may damage the frame and will invalidate any claim.**

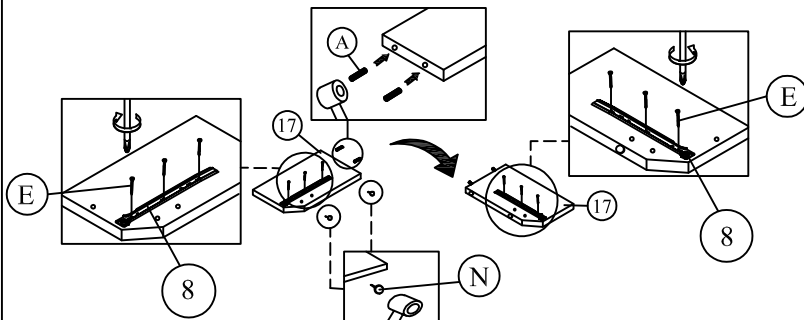
### Step 8

Attach the 1x drawer runners from pack 2 (8) to the 1x Drawer Frame Divider 2 (16) using hardware 3x M3.5 x 16 mm CSK (E) and a screwdriver (not provided). Insert hardware 2x Plastic Dowel (A) and 2x White Nail (N) using a small mallet (not provided).



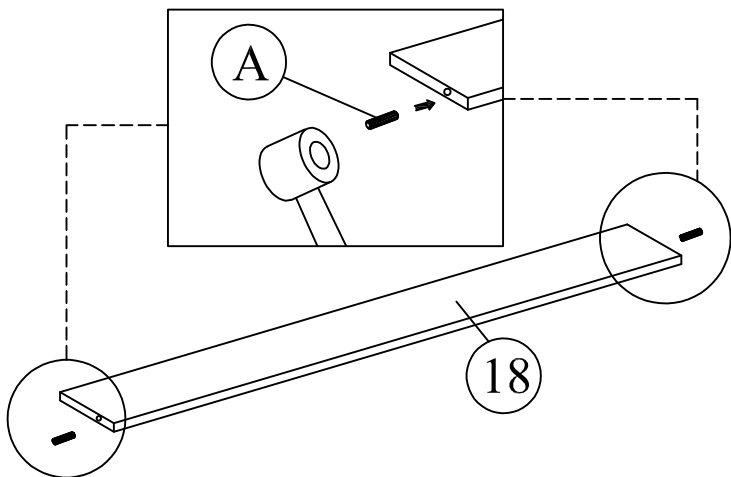
### Step 9

Attach the 2x Drawer Runners from pack 2 (8) to the 1x Drawer Centre Divider (17) using hardware 3x M3.5 x 16 mm CSK (E) and a screwdriver (not provided). Insert hardware 2x Plastic Dowel (A) and 2x White Nail (N) using a small mallet (not provided).



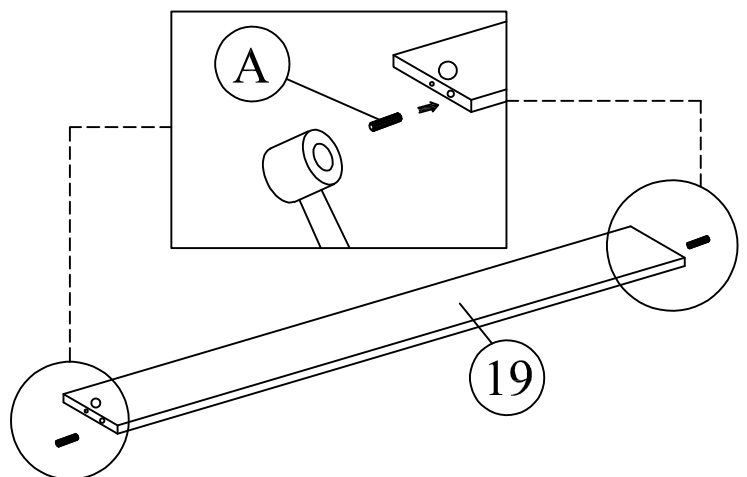
### Step 10

Insert hardware 2x Plastic Dowel (A) to the 1x Drawer Frame Support (18) using a small mallet (not provided).



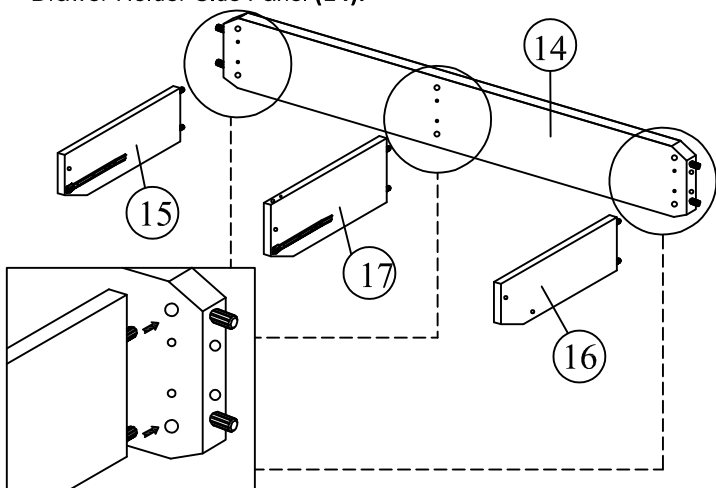
### Step 11

Insert hardware 2x Plastic Dowel (A) to the 1x Drawer Frame Support (19) using a small mallet (not provided).



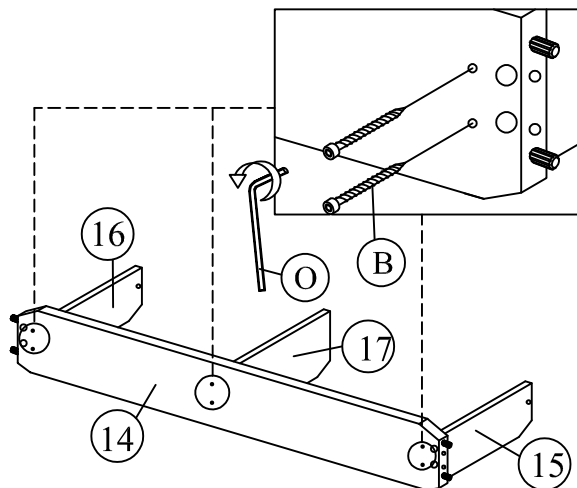
### Step 12

Insert the 1x Drawer Frame Divider 1 (15), 1x Drawer Frame Divider 2 (16) and 1x Drawer Centre Divider (17) to the 1x Drawer Holder Side Panel (14).



### Step 13

Secure using hardware 1x M6 x 40 mm JCBC W (B) using 1x Allen Key 65 mm (O).

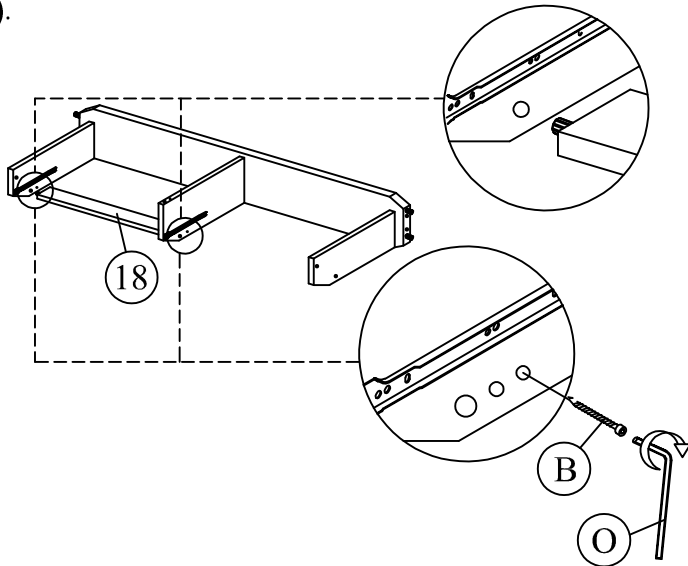


**DO NOT use any power tools as this may damage the frame and will invalidate any claim.**



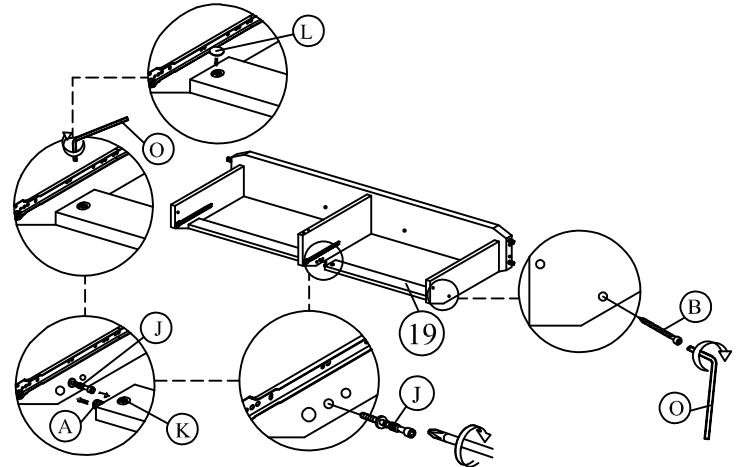
### Step 14

Insert and secure the 1x Drawer Frame Support (18) using hardware 1x M6 x 40 mm JCBC W (B) using 1x Allen Key 65 mm (O).



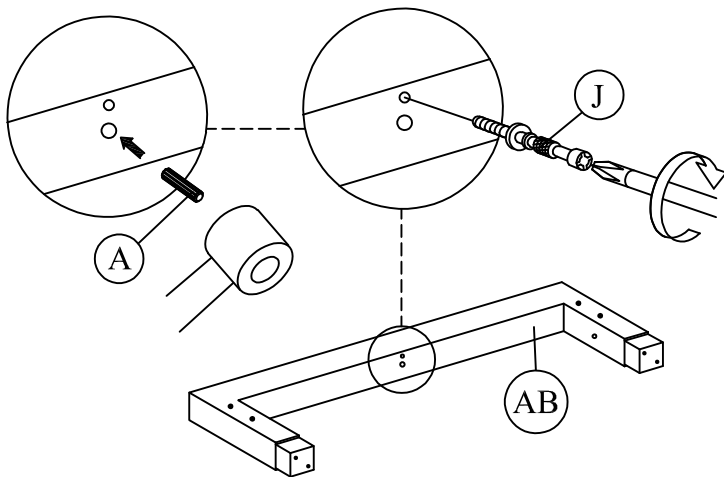
### Step 15

Insert and secure the 1x Drawer Frame Support (19) using hardware 1x M6 x 40 mm JCBC W (B) using 1x Allen Key 65 mm (O). Secure the supports in the centre using hardware 1x Mini Fix Bolt (J), 1x Mini fix Housing (K) using 1x Allen Key 65 mm (O). Cover the 1x Mini fix Housing (K) with 1x Mini Fix Cap (L).



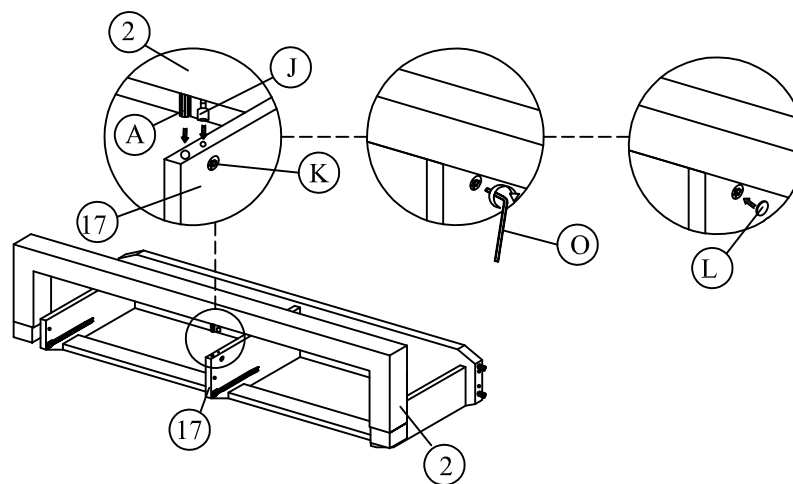
### Step 16

Insert hardware 1x Plastic Dowel (A) to the 1x Footboard (2) using a small mallet (not provided), then insert hardware 1x Mini Fix Bolt (J) using a screwdriver (not provided).



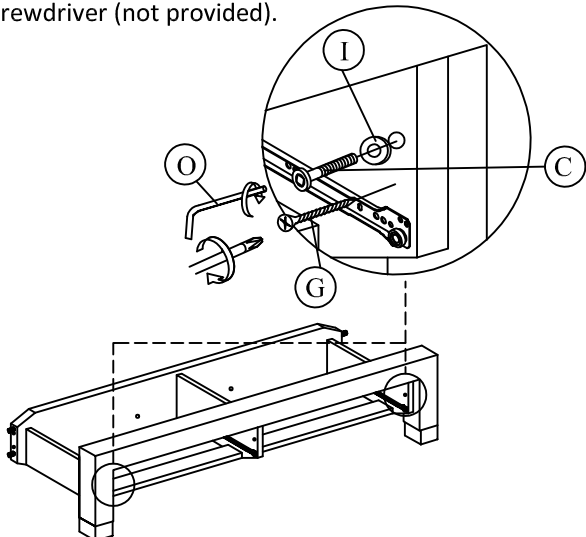
### Step 17

Attach the 1x Footboard (2) to the 1x Drawer Centre Divider (17) using the hardware 1x Mini Fix Bolt (J) & 1x Mini fix Housing (K). Cover the 1x Mini fix Housing (K) with 1x Mini Fix Cap (L).



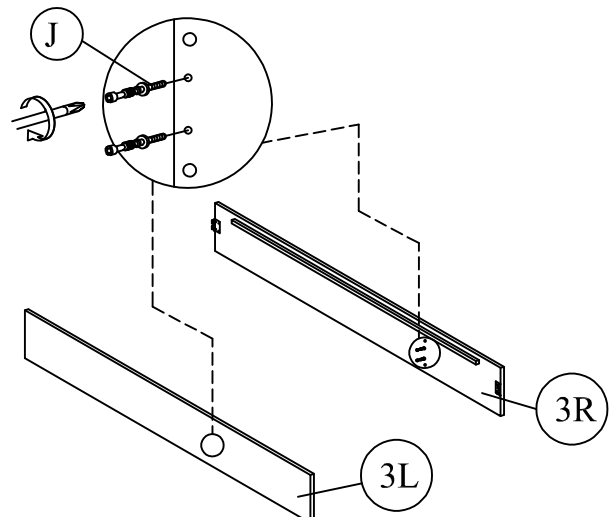
### Step 18

Secure the frame using hardware 2x M6 x 40 mm JCBC (C), 2x M4 x 32mm CSK (G), 2x M6 Flat Washer (I) using 1x Allen Key 65 mm (O) and screwdriver (not provided).



### Step 19

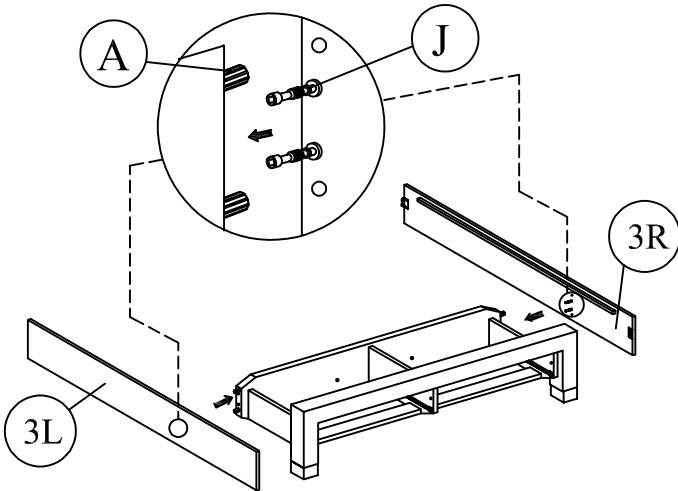
Insert hardware 4x Mini Fix Bolt (J) to the 2x Siderail (3) using a screwdriver (not provided).



**DO NOT use any power tools as this may damage the frame and will invalidate any claim.**

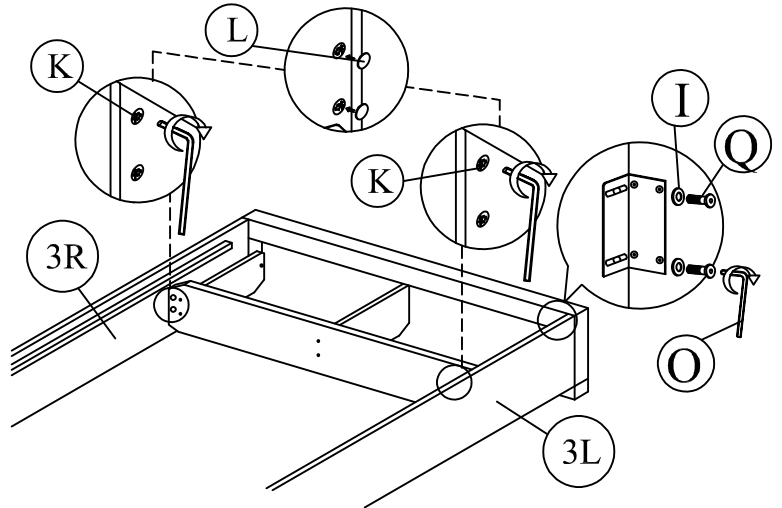
### Step 20

Secure the frame using hardware 4x Plastic Dowel (A) and 4x Mini Fix Bolt (J).



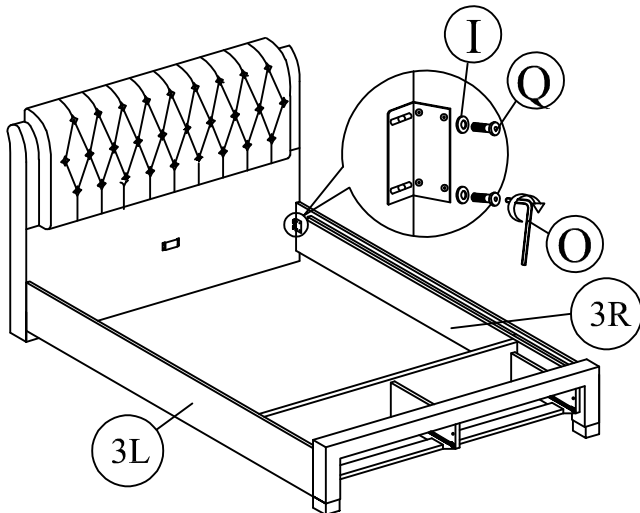
### Step 21

Secure the frame using hardware 4x M6 Flat Washer (I), 4x Mini fix Housing (K), 4x Mini Fix Cap (L) and 4x M6 x 30 mm JCBC (Q) using 1x Allen Key 65 mm (O).



### Step 22

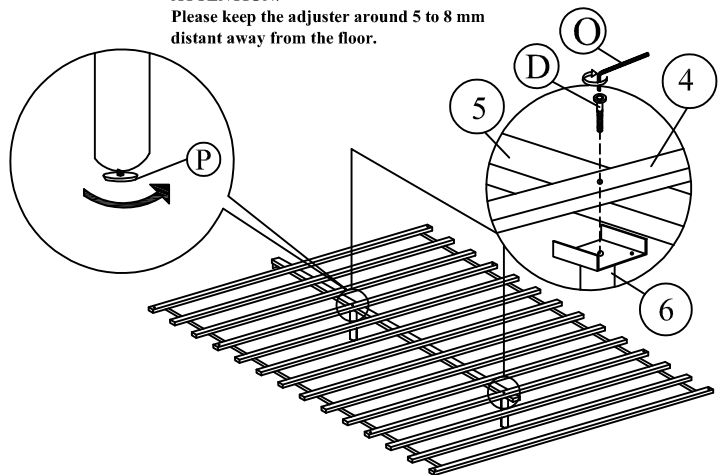
Secure the frame using hardware 4x M6 Flat Washer (I), 4x M6 x 30 mm JCBC (Q) using 1x Allen Key 65 mm (O).



### Step 23

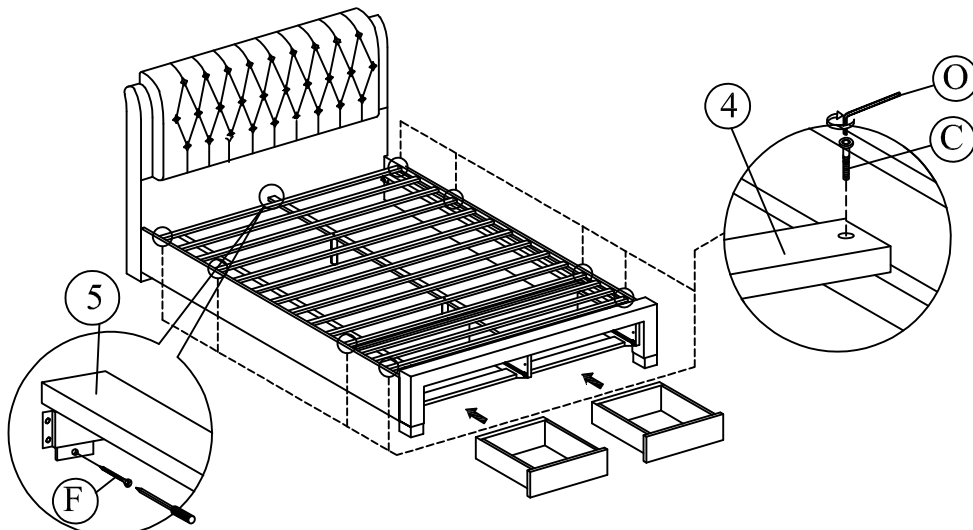
Attach the 2x Support Legs (6) to the 1x Centre Rail (5) and 1x Slats (4) using hardware 2x M6 x 60 mm JCBC (D) and 1x Allen Key 65 mm (O).

**ATTENTION:**  
Please keep the adjuster around 5 to 8 mm distant away from the floor.



### Step 24

Place the slat section into the assembled frame and secure to the 1x Headboard (1) using hardware 1x M4 x 25 mm CSK (F) and a screwdriver (not provided). Secure the solid 1x Slats (4) using hardware 8x M6 x 40 mm JCBC (C) using 1x Allen Key 65 mm (O).



**DO NOT use any power tools as this may damage the frame and will invalidate any claim.**