



**Birlea**

Suppliers of inspiration

Vendor: S000145



# ASSEMBLY INSTRUCTIONS

## OPULENCE FABRIC 5' BED

**IMPORTANT: READ THESE INSTRUCTIONS CAREFULLY BEFORE ATTEMPTING TO ASSEMBLE OR USE YOUR BED FRAME.**

**PLEASE KEEP THESE INSTRUCTIONS FOR FUTURE REFERENCE**

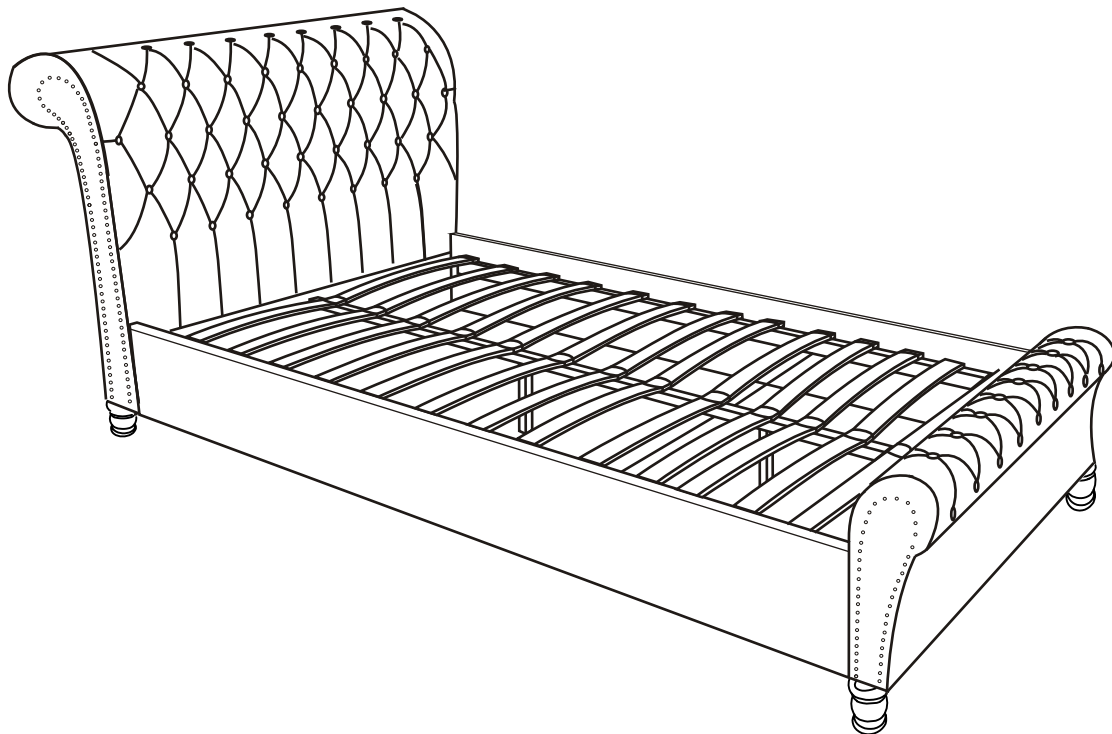
### **HEALTH & SAFETY:**

DO NOT jump on this bed frame  
DO NOT use this bed frame if any parts are missing, damaged or worn  
DO NOT use this bed frame unless all fixings are tightly secured  
Always use on a level, even surface

**WARNING:** IF THIS BED FRAME IS ON A LAMINATED FLOOR YOU MUST PLACE SOME PROTECTION UNDER ALL LEGS TO STOP THE BED FRAME FROM MOVING. IF THIS IS NOT ADHERED TO THERE IS NO GUARANTEE IF THE BED FRAME COLLAPSES

### **CARE & MAINTENANCE:**

Periodically check all screws & fixings to ensure they are tightly secured  
DO NOT push the bed frame as this will damage the legs.  
Always lift the bed with 2 people whenever you need to change the bed frames position  
Keep any sharp objects away from the bed frame

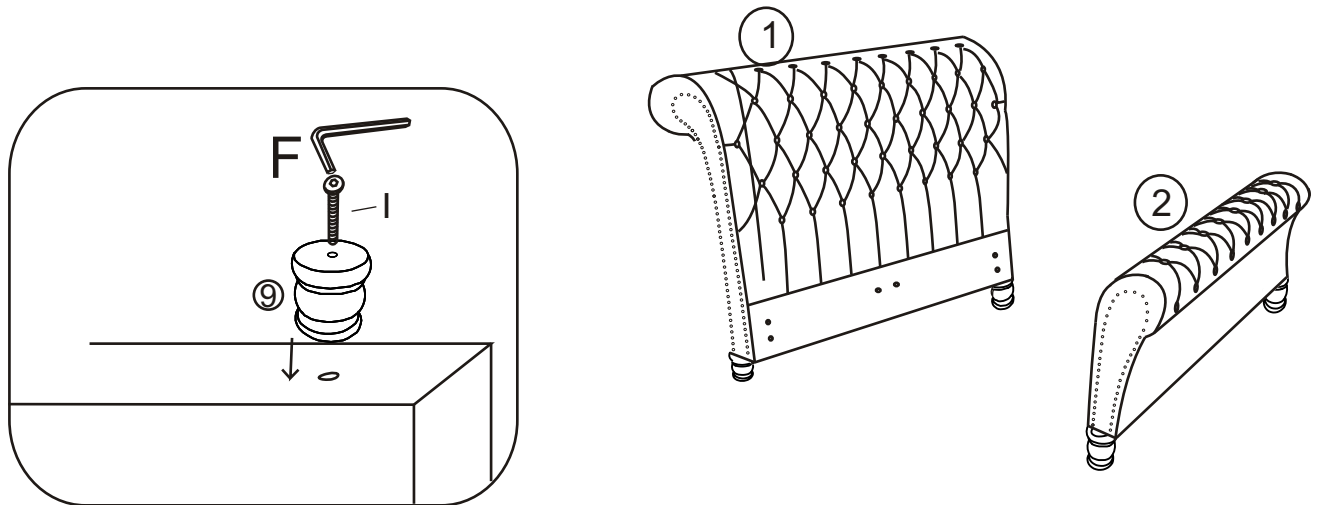


## PARTS LIST

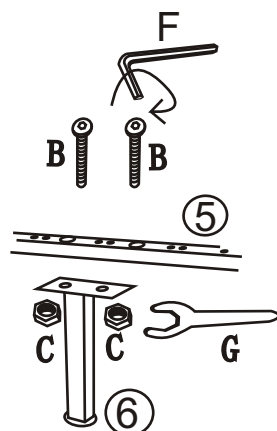
## HARDWARE LIST

No	Item	Box	Qty	No	Item	Box	Qty
1	Headboard	1	1	A	Bolt M8x30mm	1	12
2	Footboard	3	1	B	Bolt M8x40mm	1	4
3	Side Rail	2	2	C	Nut M8x13mm	1	4
4	Double Plastic Cap	1	14	D	Spring Washer	1	8
5	Centre Support Bar	2	1	E	Flat Washer	1	8
6	Support Leg	1	2	F	Allen Key M5	1	1
7	Slat	1	28	G	Spanner	1	1
8	Single Plastic Cap	1	28	I	Bolt M8x70mm	1	4
9	Leg	1	4				

### STEP 1 FIXING LEGS (9) TO HEADBOARD(1) AND FOOTBOARD(2)

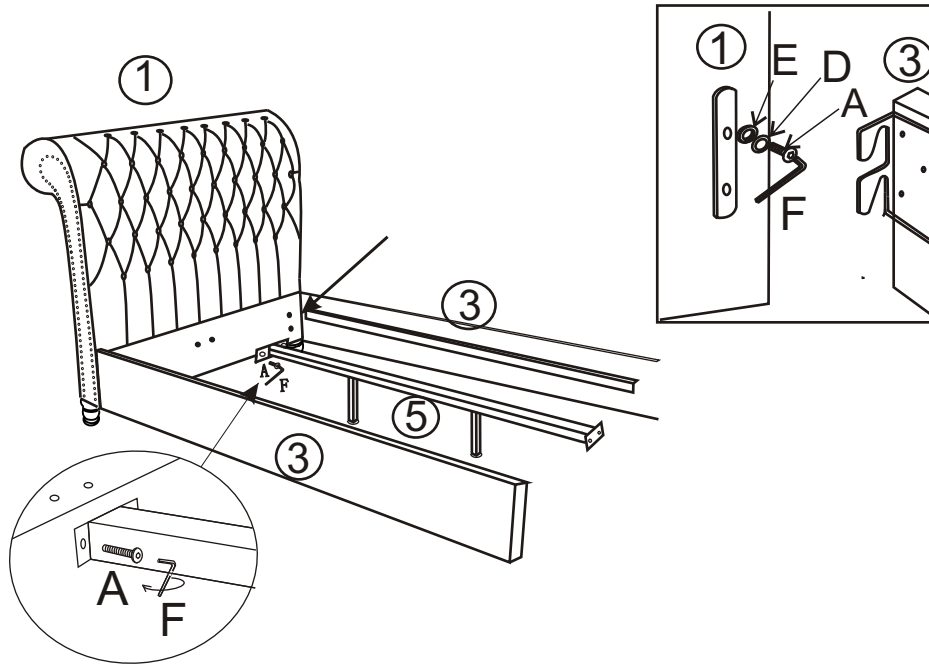


### STEP 2 FIXING SUPPORT LEGS(6) TO CENTRE SUPPORT BAR(5)



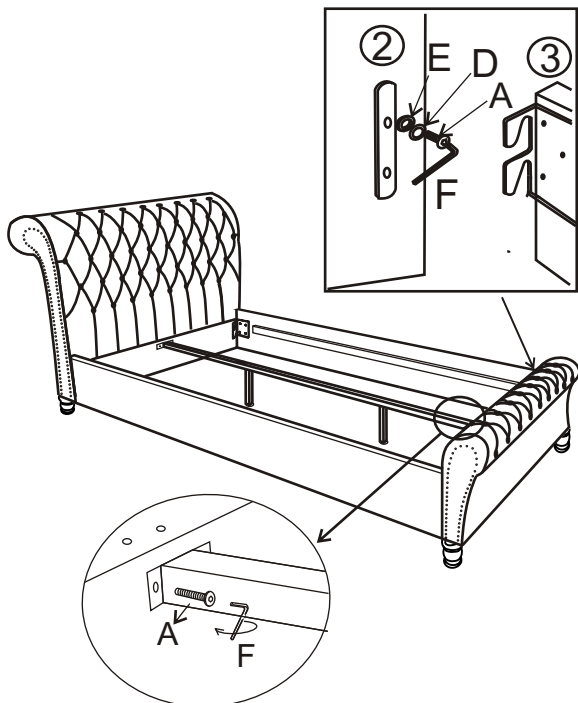
STEP 3 FIXING SIDE RAILS(3) TO HEADBOARD(1)

STEP 4 FIXING CENTRE SUPPORT BAR(5) TO HEADBOARD(1)

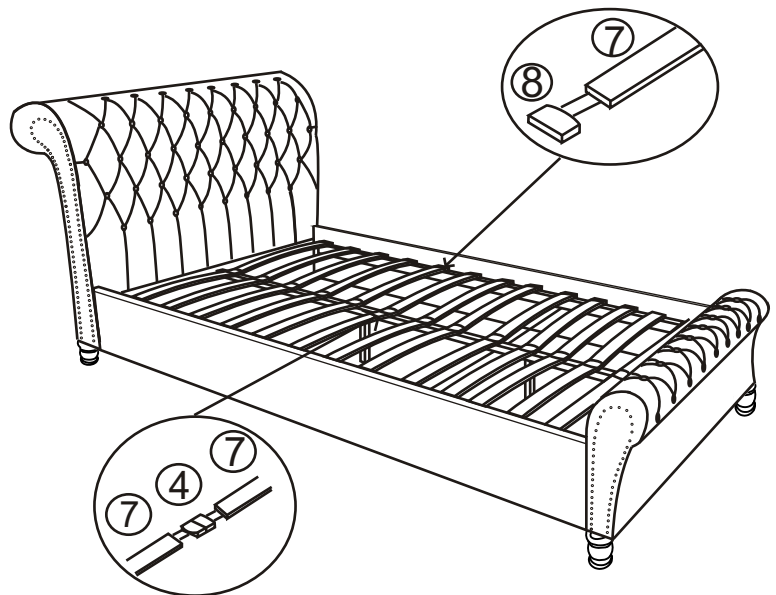


STEP 5 FIXING SIDE RAILS(3) TO FOOTBOARD(2)

STEP 6 FIXING CENTRE SUPPORT BAR(5)  
TO FOOTBOARD(2)



STEP 7 FIXING PLASTIC CAPS(4)(8)  
AND SLATS(7)



Additional Information :

- For complete product information , images and dimension diagrams please visit the website [www.birlea.com](http://www.birlea.com)
- If you have any issues with your item please contact the retailer directly you purchased it from who will be able to resolve any issues with Birlea.
- Why don't you send us photos of your assembled furniture to [info@birlea.com](mailto:info@birlea.com) to be shared in our #birleahome feature on instagram.