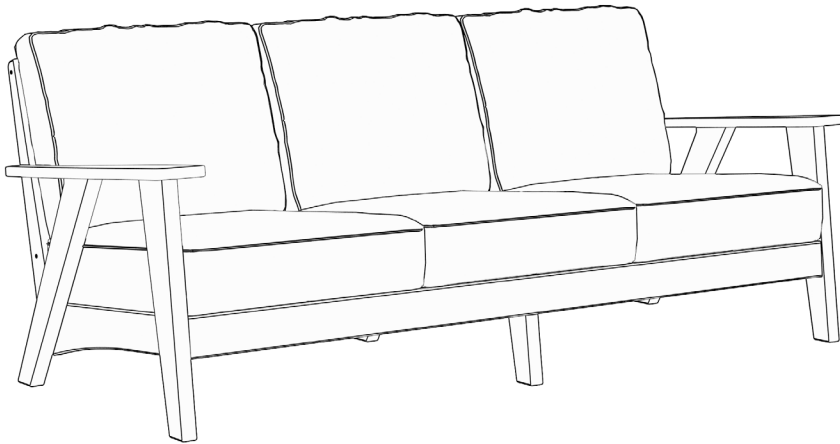




# PADDY O'

furniture

Sofa  
PATDCU3000L-FO



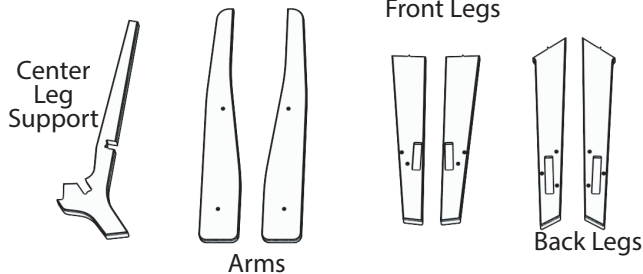
### Tools Required

- \* Drill
- \* Philips head driver bit
- \* Rubber Mallet

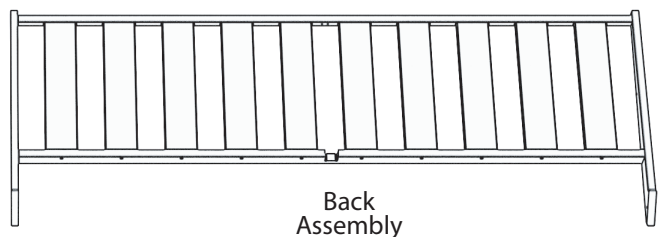
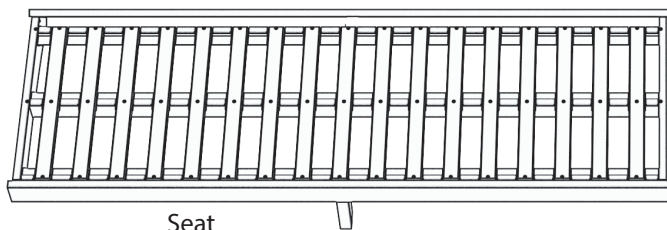
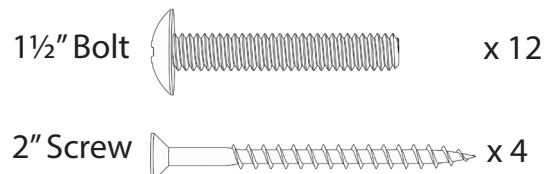
### Assembly Tips

- \* Perform assembly on a clean, soft surface to prevent parts from being scratched
- \* Always start bolts by hand to prevent cross threading
- \* If your drill has a clutch set it to medium torq. Once parts are pulled together, add 1/4 to 1/2 turn.

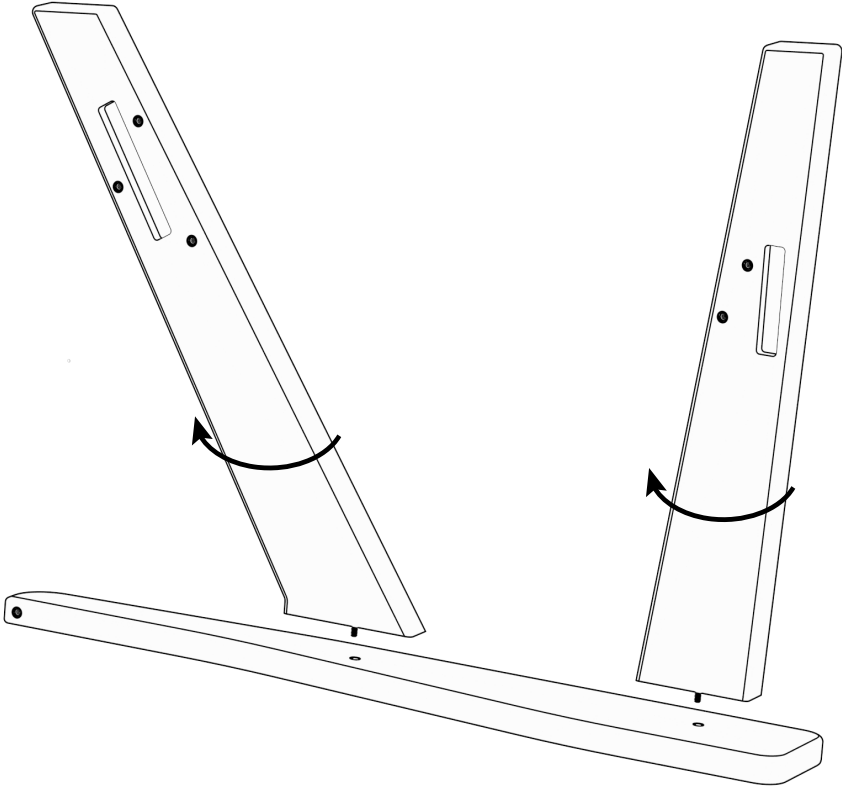
### Parts Included



### Hardware Included



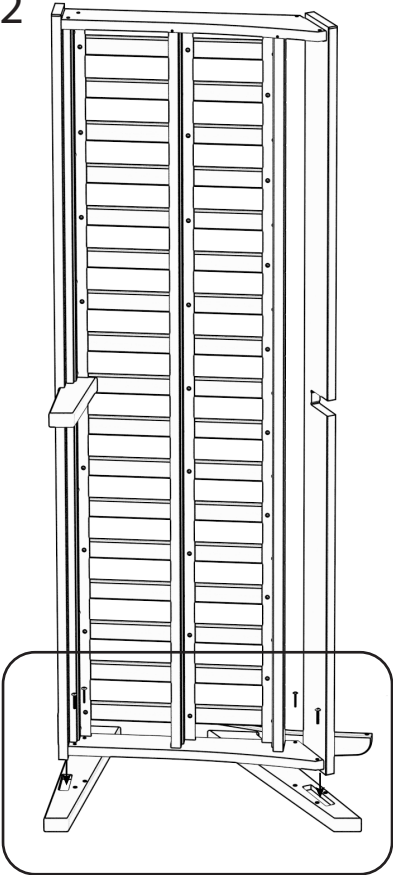
# Step 1



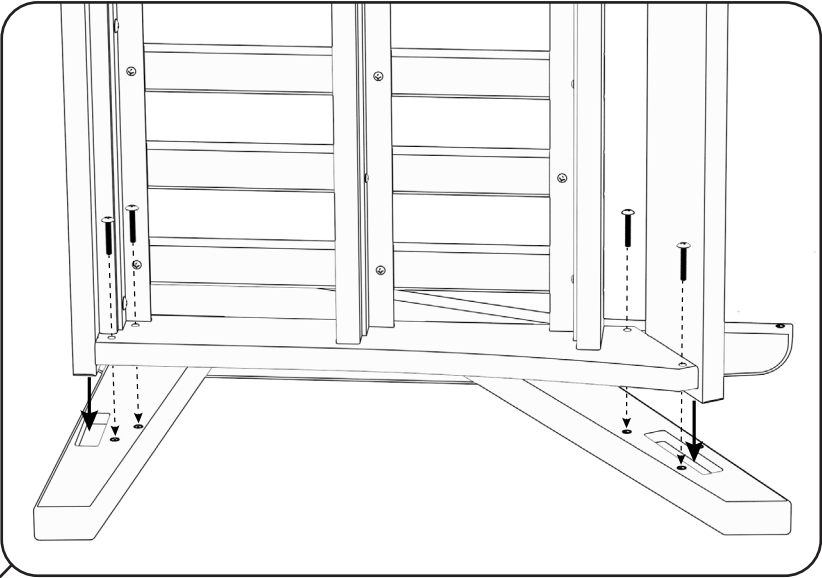
Thread the front and back leg in to the inserts as shown above.  
Repeat on the opposite arm and legs.

---

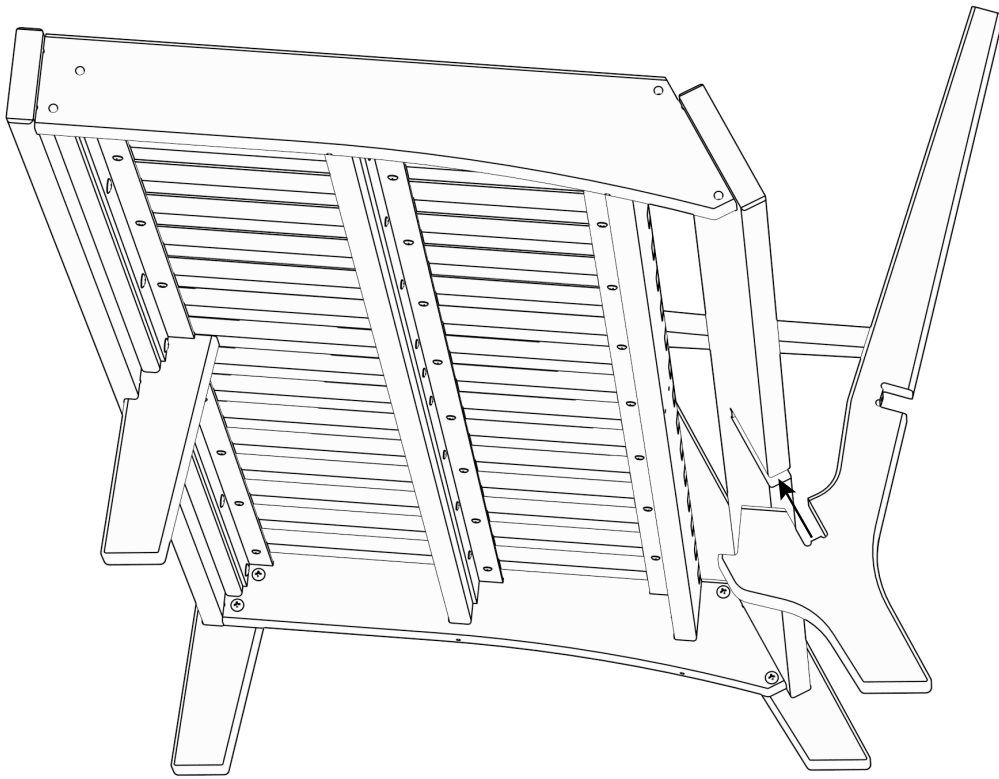
# Step 2



Insert ends of Seat Assembly in to slots on legs.  
Secure using (4) 1¼" Bolts.



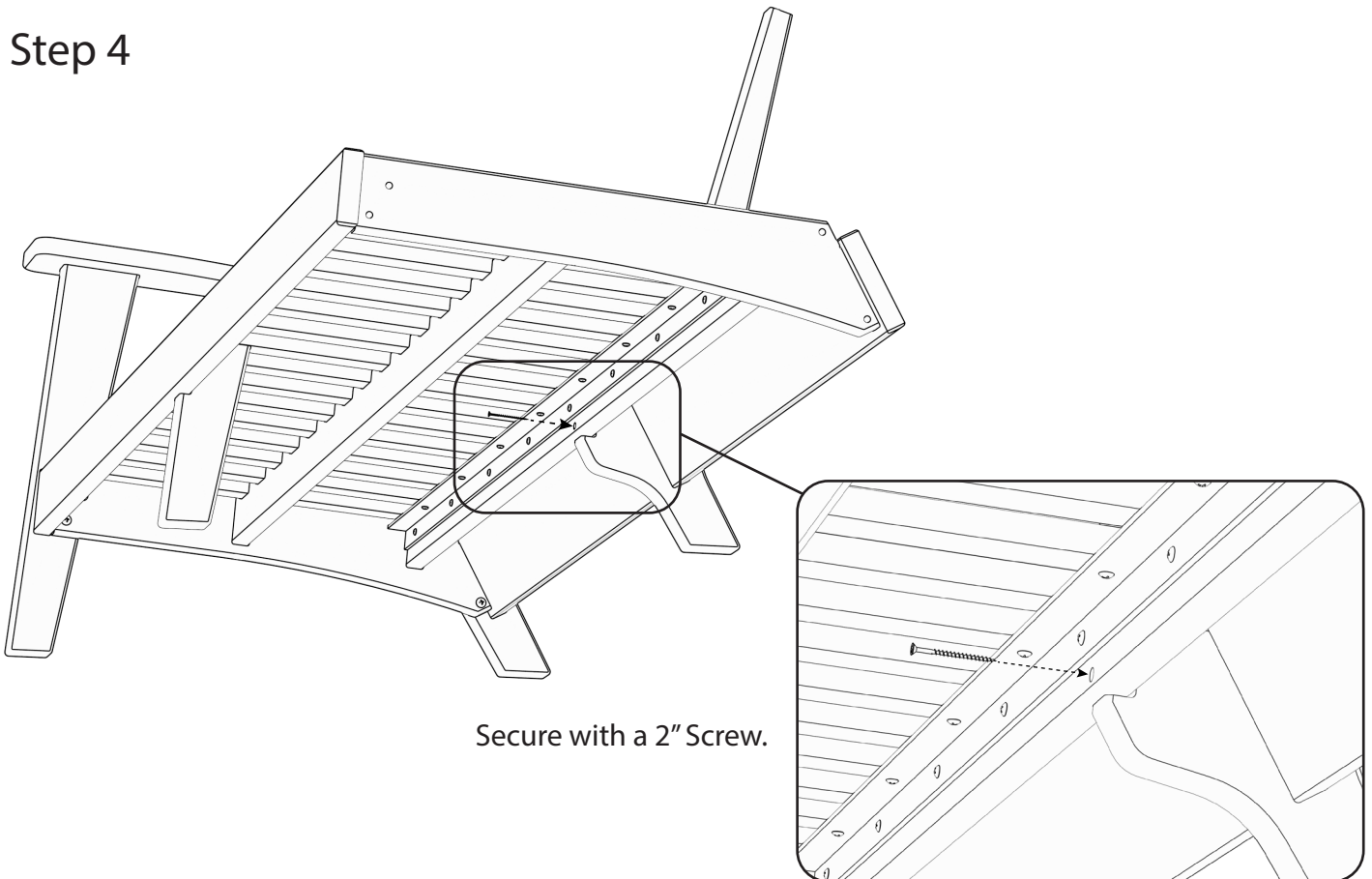
### Step 3



Slide Center Leg Support in to Seat Assembly as shown.

---

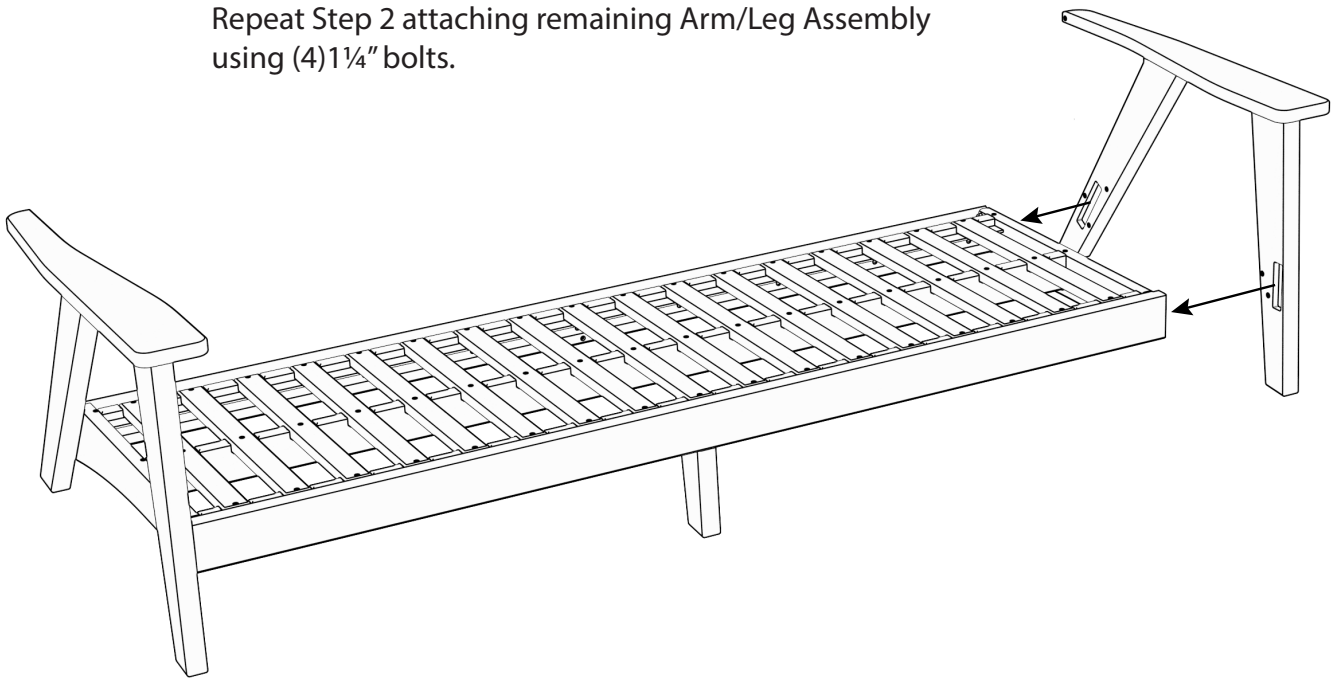
### Step 4



Secure with a 2" Screw.

## Step 5

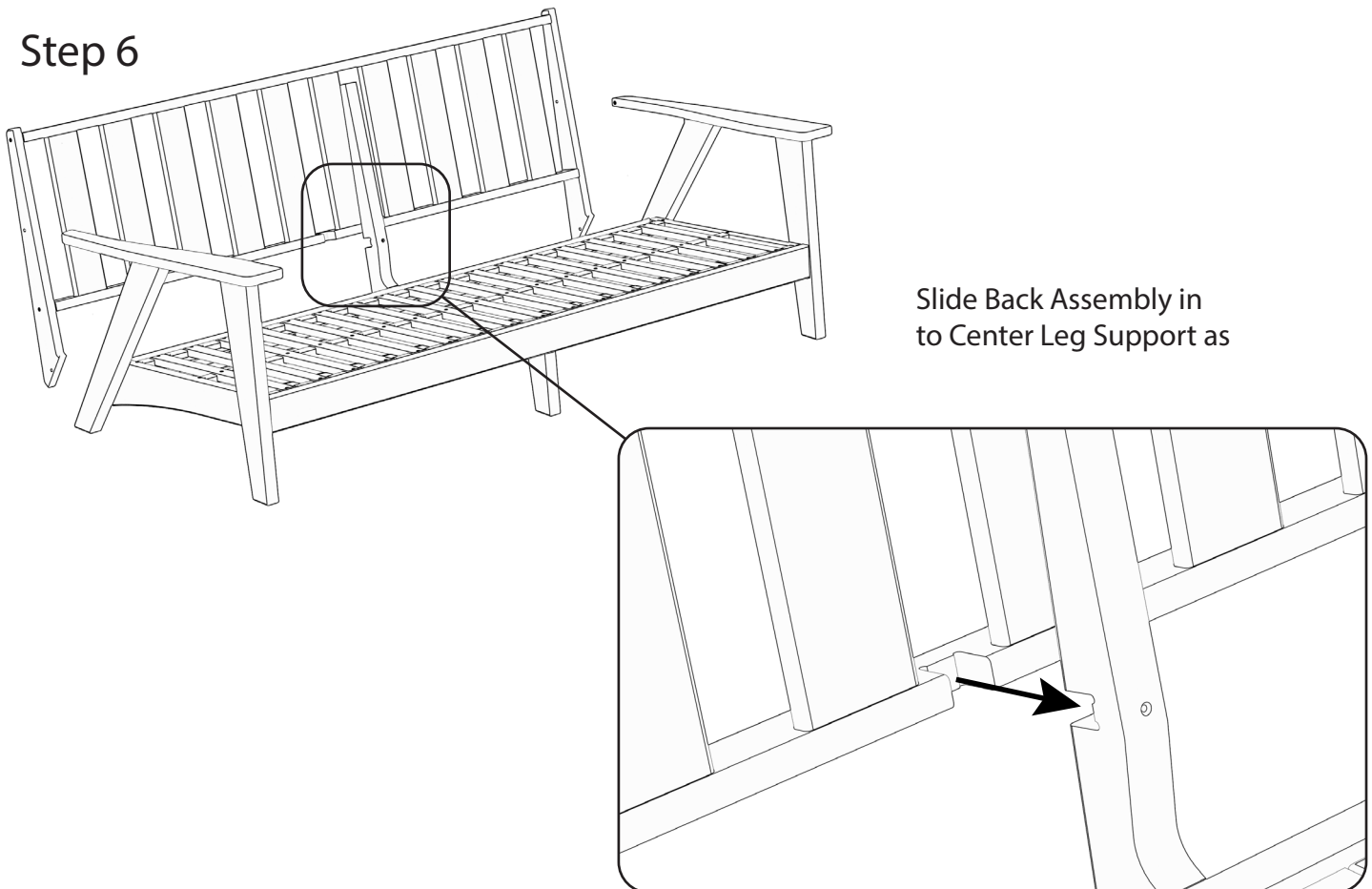
Repeat Step 2 attaching remaining Arm/Leg Assembly using (4) 1¼" bolts.



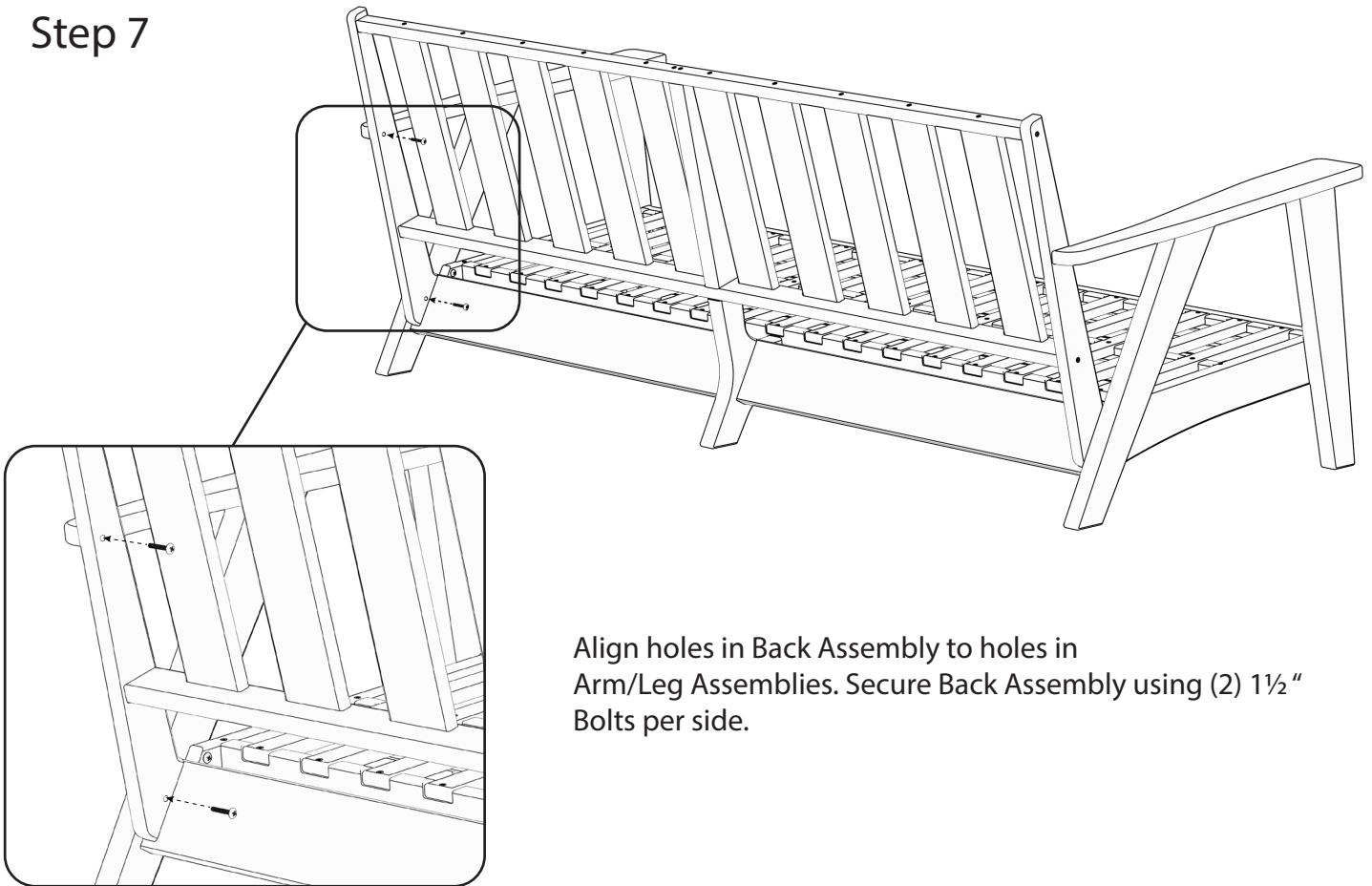
---

## Step 6

Slide Back Assembly in to Center Leg Support as

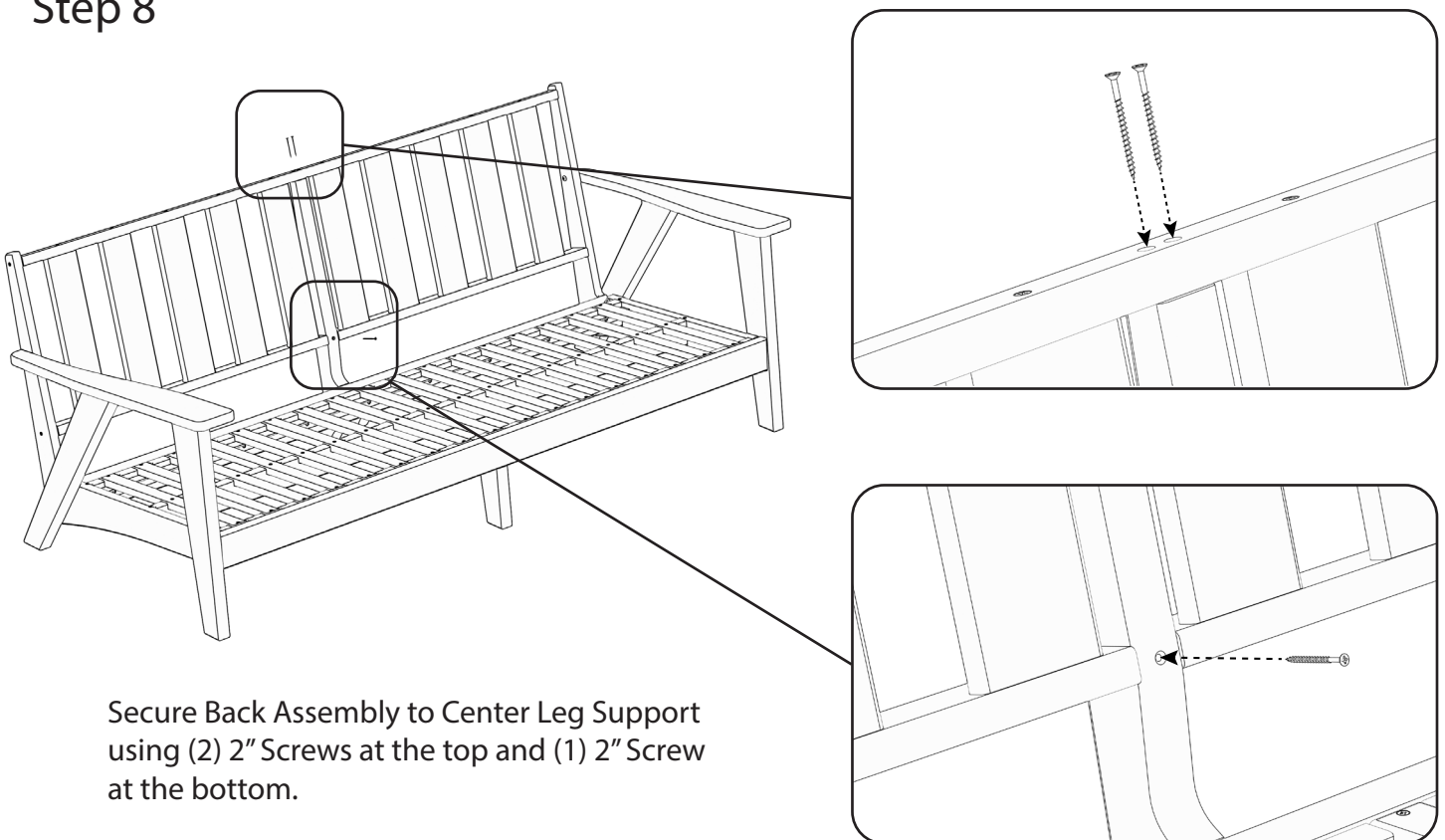


## Step 7



Align holes in Back Assembly to holes in Arm/Leg Assemblies. Secure Back Assembly using (2) 1½" Bolts per side.

## Step 8



Secure Back Assembly to Center Leg Support using (2) 2" Screws at the top and (1) 2" Screw at the bottom.