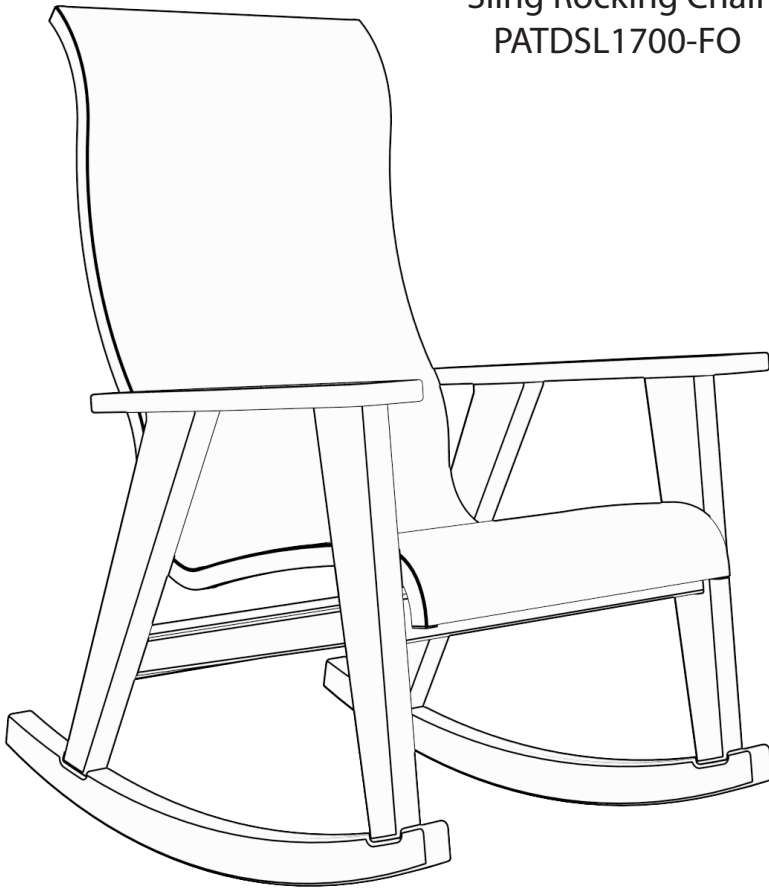




PADDY O'

furniture

Sling Rocking Chair
PATDSL1700-FO



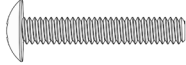
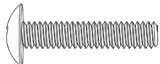
Tools Required

- * Drill
- * Philips head driver bit
- * Rubber Mallet

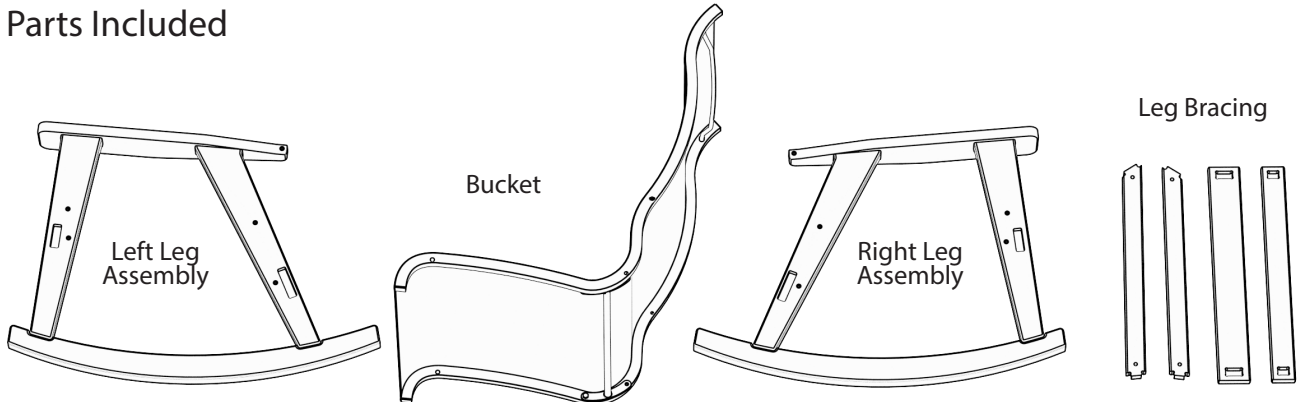
Assembly Tips

- * Perform assembly on a clean, soft surface to prevent parts from being scratched
- * Always start bolts by hand to prevent cross threading
- * If your drill has a clutch set it to medium torq. Once parts are pulled together, add 1/4 to 1/2 turn.

Hardware Included

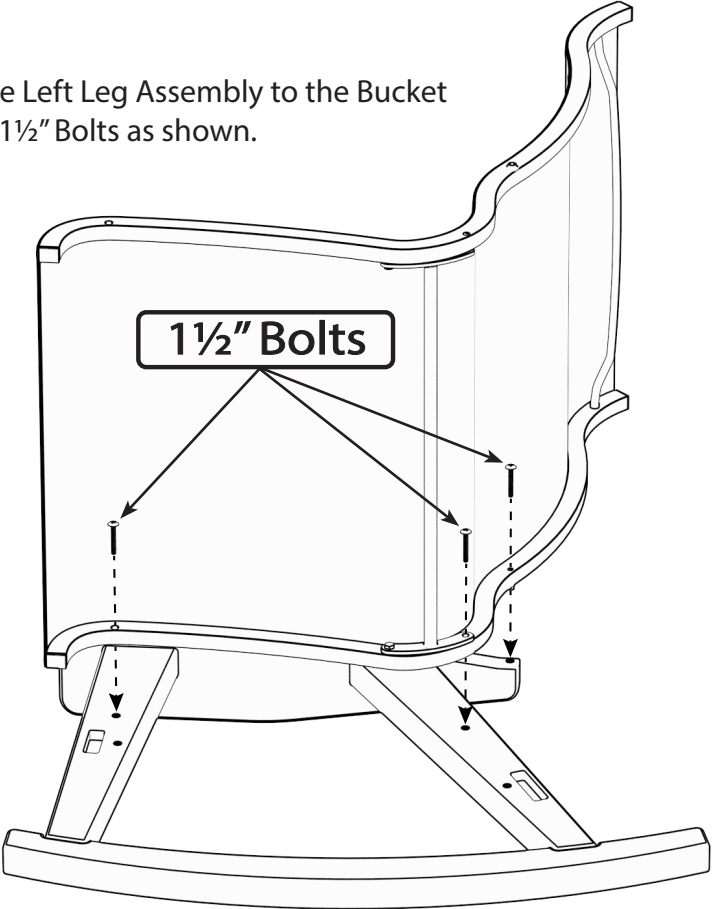
- | | | |
|----------|---|-----|
| 1½" Bolt |  | x 6 |
| 1¼" Bolt |  | x 4 |

Parts Included



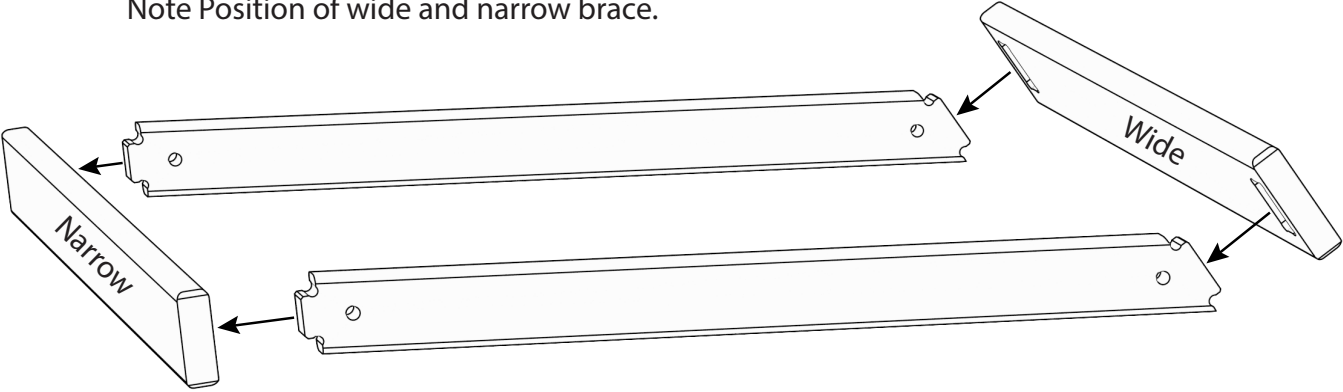
Step 1

Attach the Left Leg Assembly to the Bucket using (3) 1½" Bolts as shown.

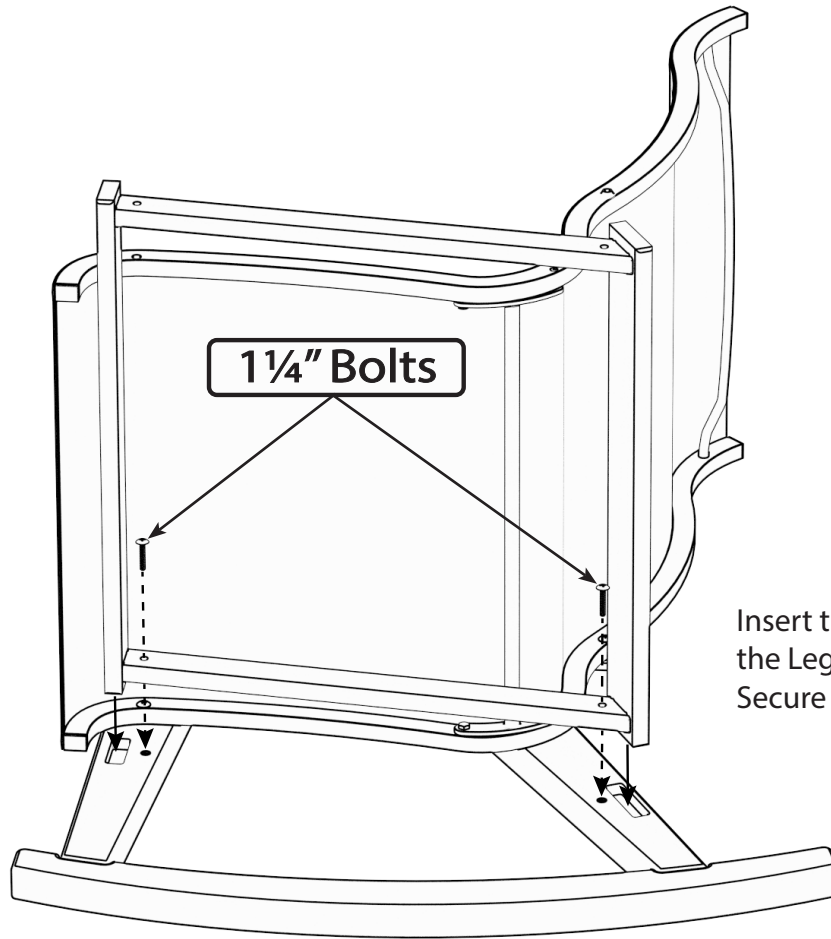


Step 2

Connect Leg Bracing as shown below.
Note Position of wide and narrow brace.

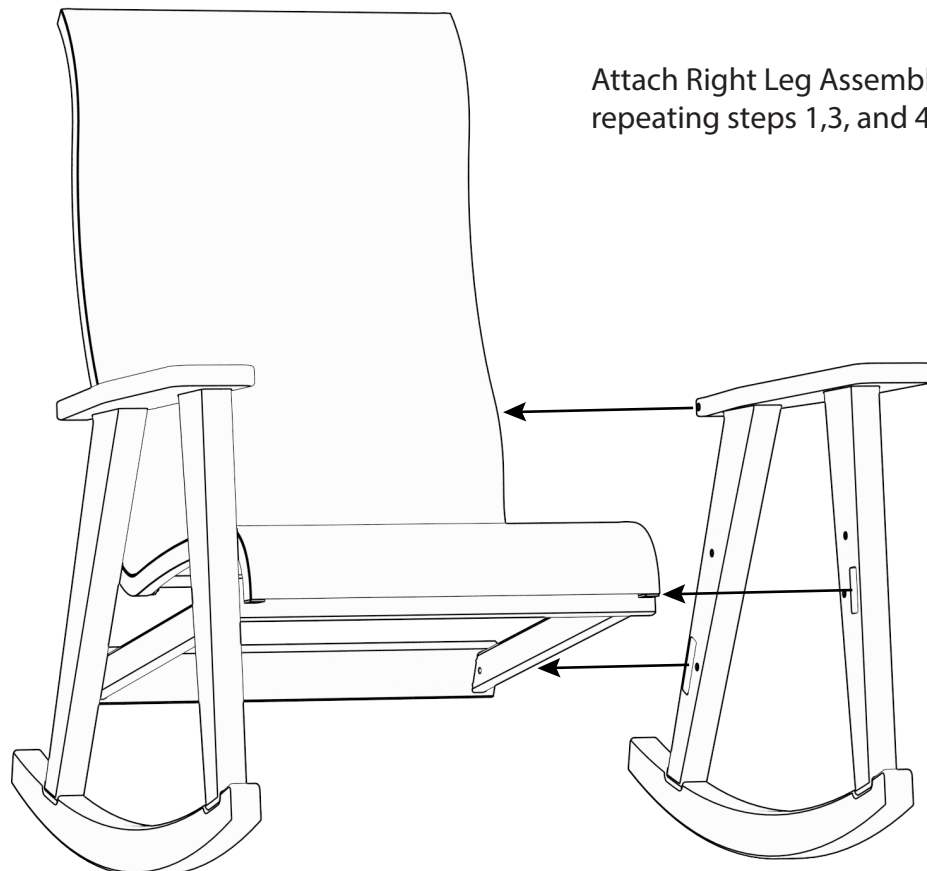


Step 3



Insert the Leg Bracing in to the Leg Assembly as shown. Secure with (2) 1 1/4\" Bolts.

Step 4



Attach Right Leg Assembly repeating steps 1,3, and 4.