

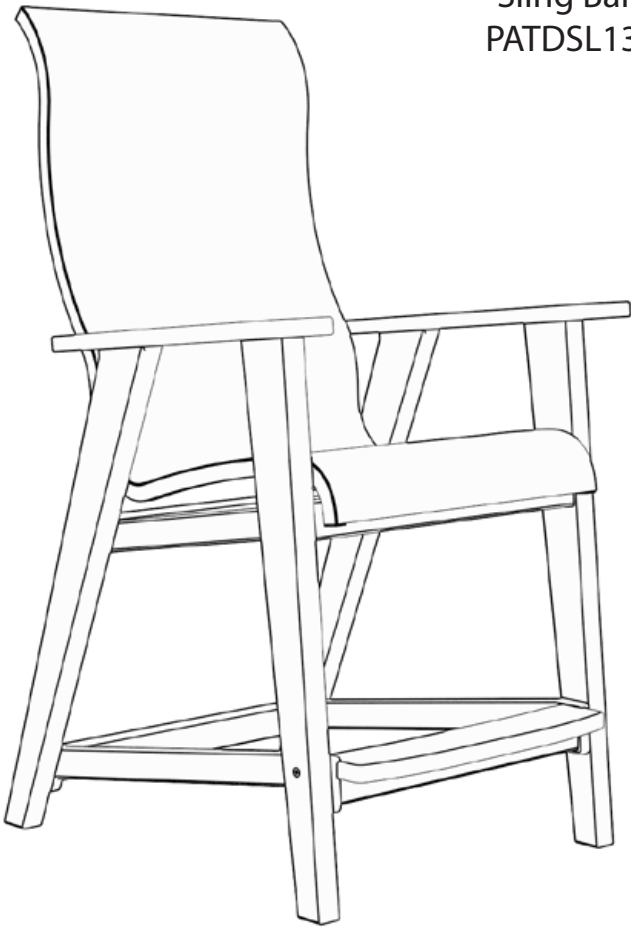


PADDY O'

furniture

Sling Balcony Chair
PATDSL1303-FO

Sling Bar Chair
PATDSL1305-FO






Tools Required

- * Drill
- * T20 torx (star) driver bit
- * Philips head driver bit
- * Rubber Mallet

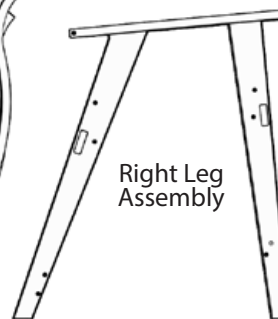
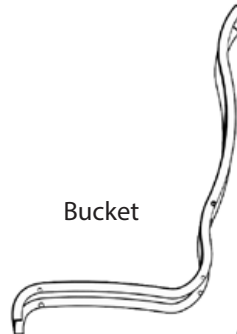
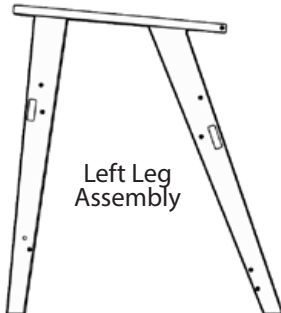
Assembly Tips

- * Perform assembly on a clean, soft surface to prevent parts from being scratched
- * Always start bolts by hand to prevent cross threading
- * If your drill has a clutch set it to medium torq. Once parts are pulled together, add 1/4 to 1/2 turn.

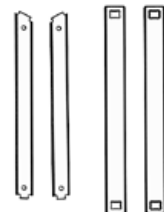
Hardware Included

- | | | |
|-----------|---|------|
| 1½" Bolt |  | x 6 |
| 1¼" Bolt |  | x 10 |
| 2½" Screw |  | x 2 |

Parts Included

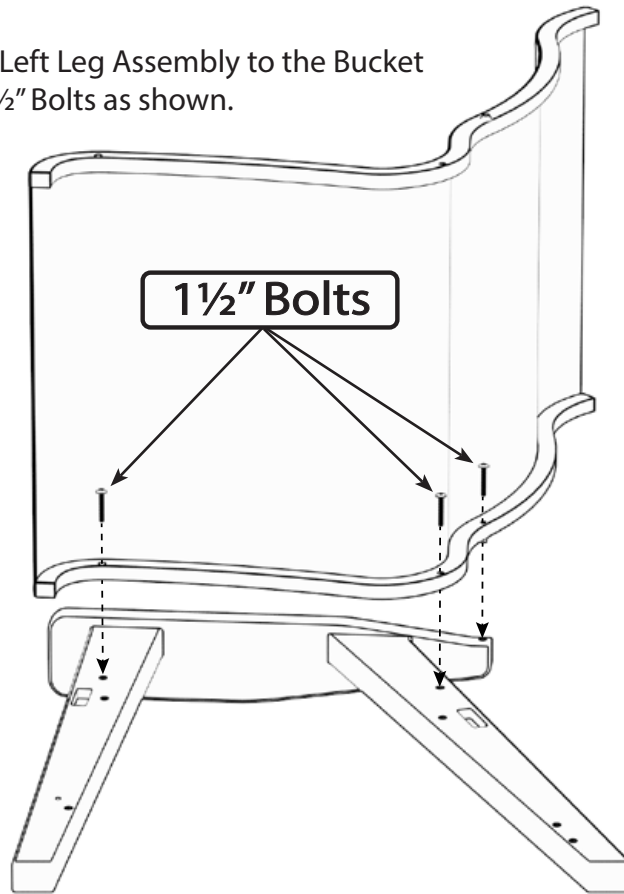


Leg Bracing



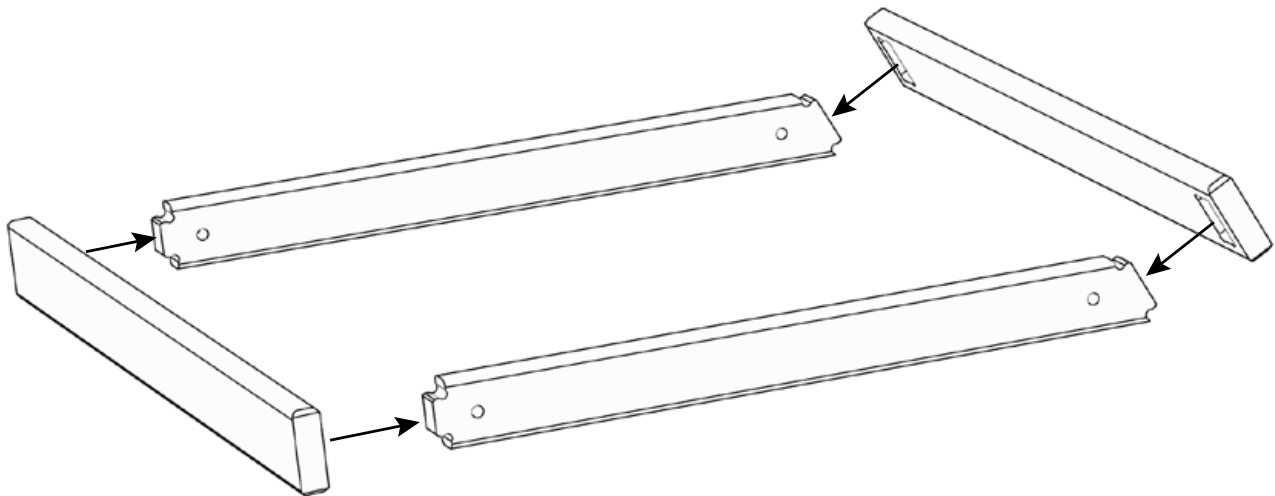
Step 1

Attach the Left Leg Assembly to the Bucket using (3) 1½" Bolts as shown.

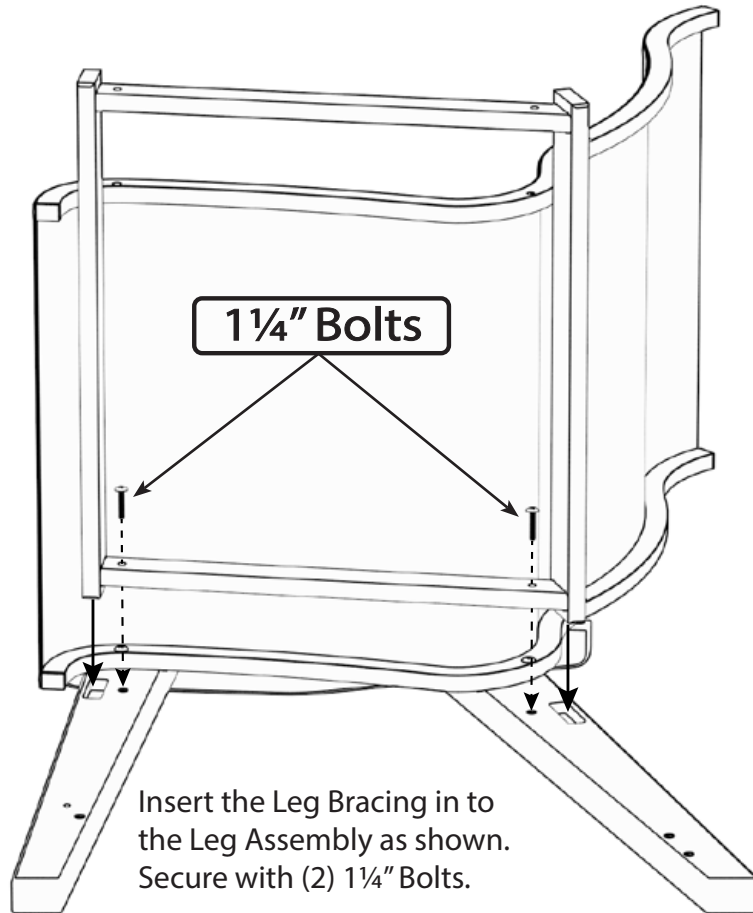


Step 2

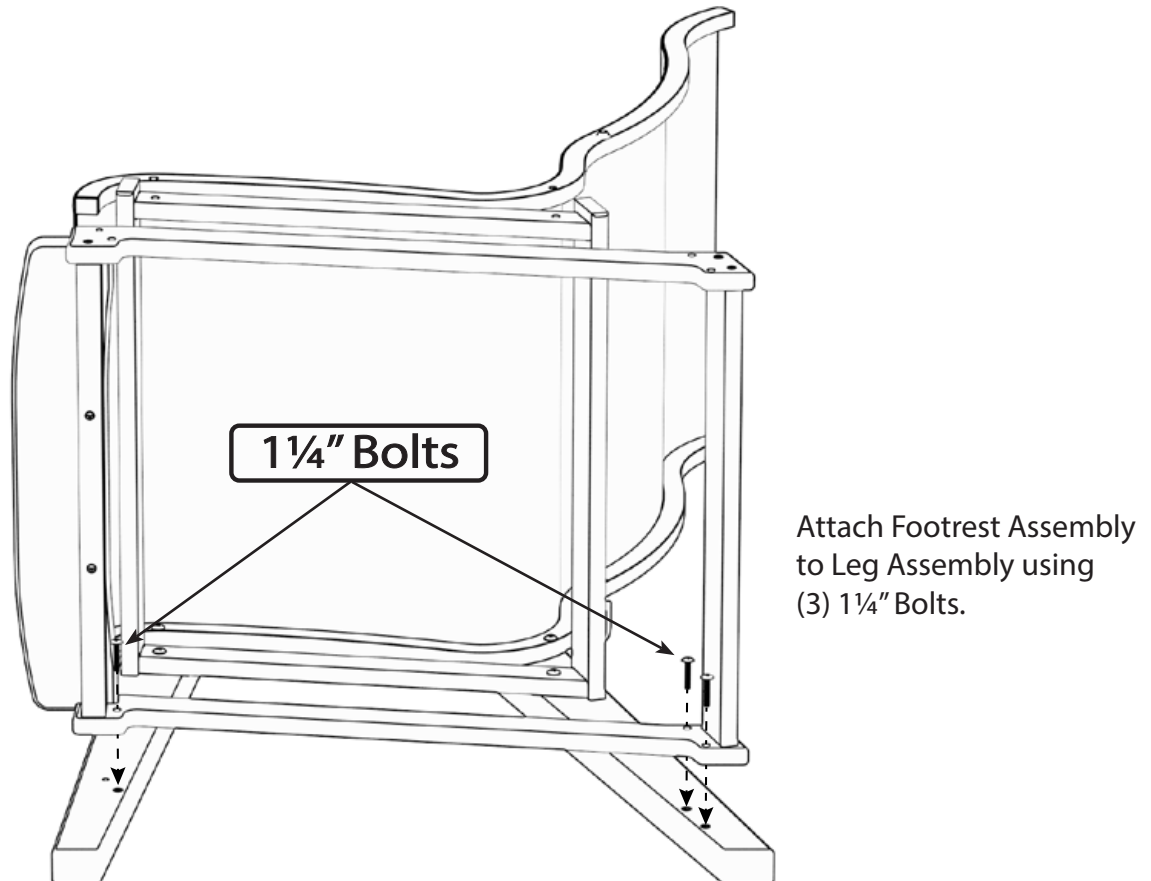
Connect Leg Bracing as shown below.



Step 3

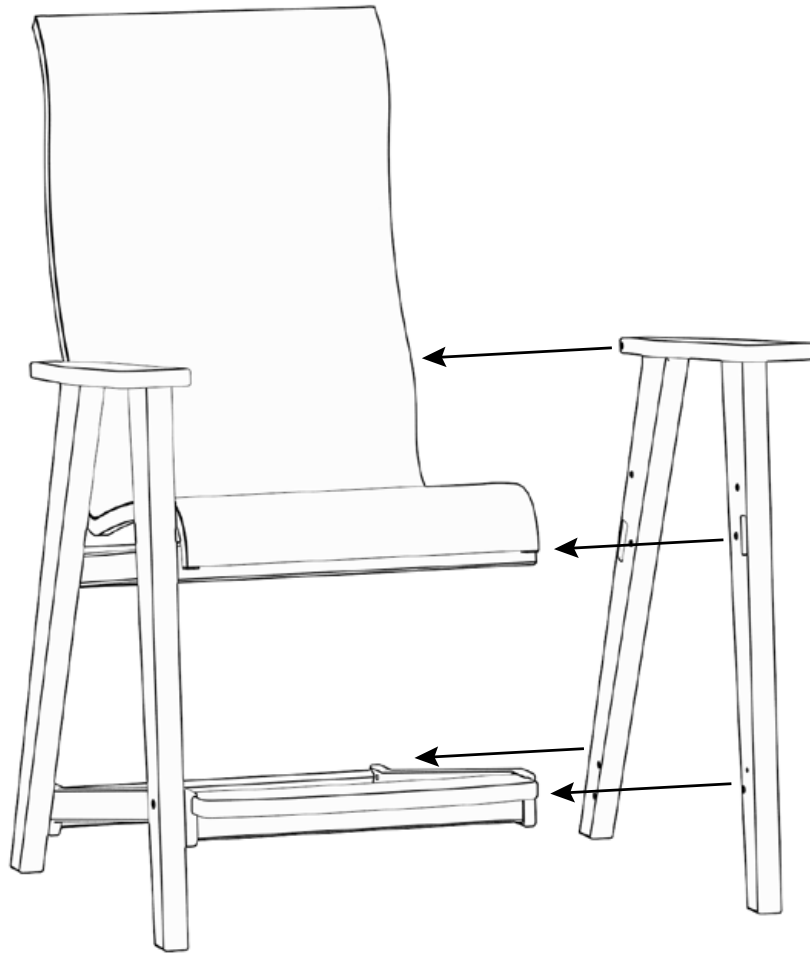


Step 4



Step 5

Attach Right Leg Assembly repeating steps 1,3, and 4.



Step 6

Drive (1) 2½" Screw through Front Leg in to Footrest Assembly on each side.

