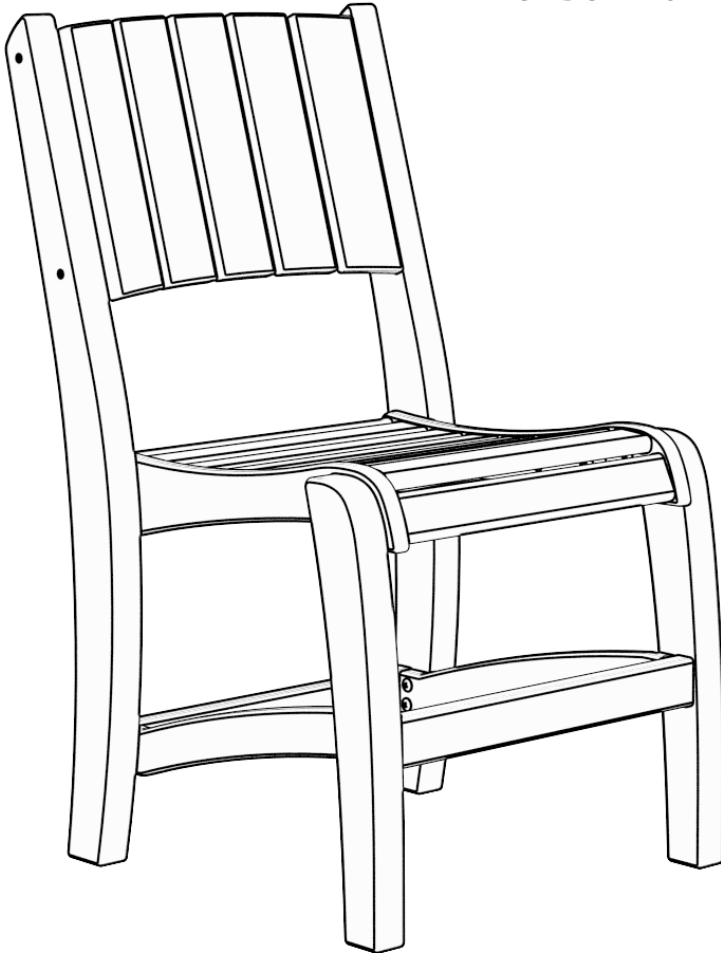




PADDY O'

furniture

Dining Side Chair
ASHDSY1104



Tools Required

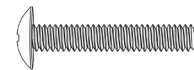
- * Drill
- * Philips head driver bit
- * Rubber Mallet

Assembly Tips

- * Perform assembly on a clean, soft surface to prevent parts from being scratched
- * Always start bolts by hand to prevent cross threading
- * If your drill has a clutch set it to medium torque. Once parts are pulled together, add 1/4 to 1/2 turn.

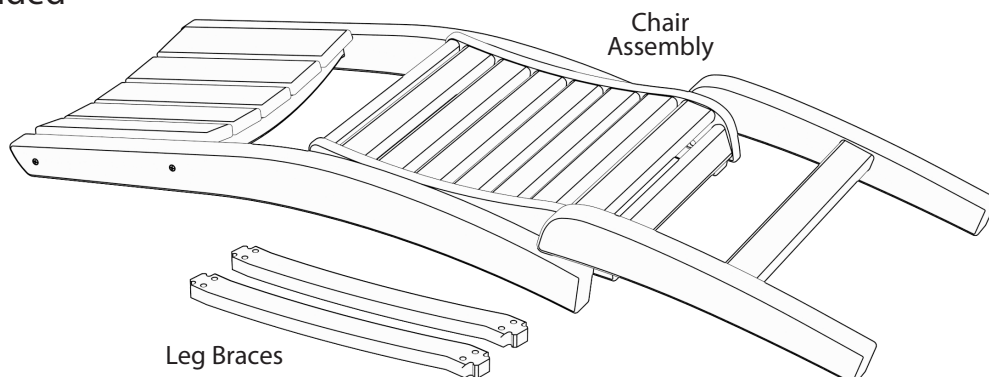
Hardware Included

1 1/4" Bolt

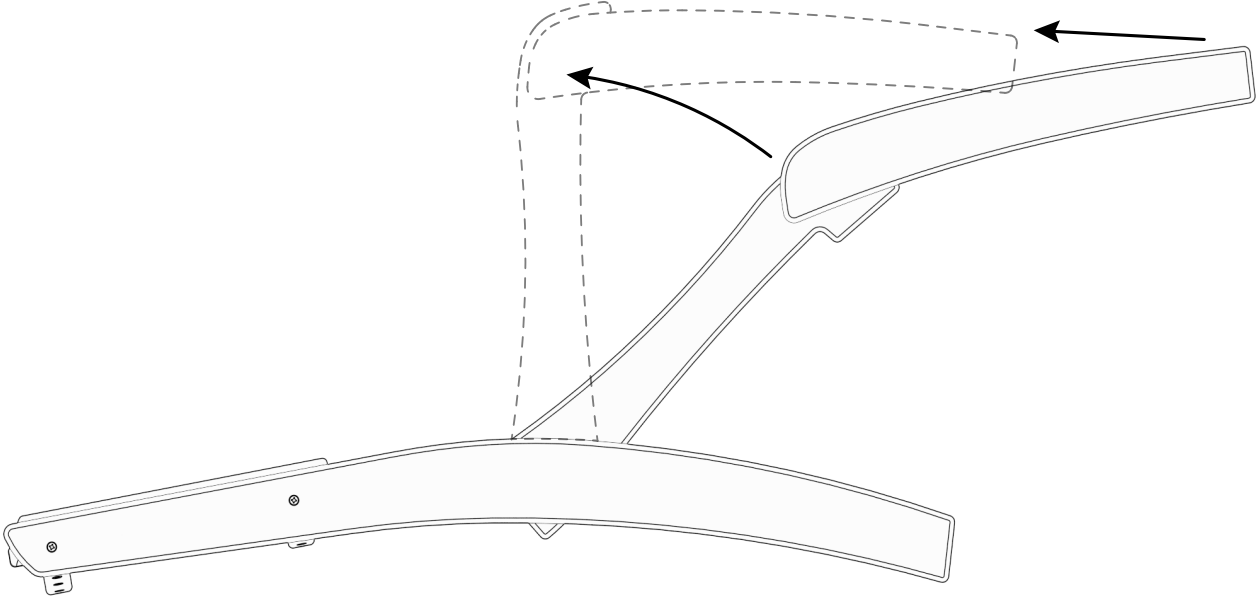


x 16

Parts Included



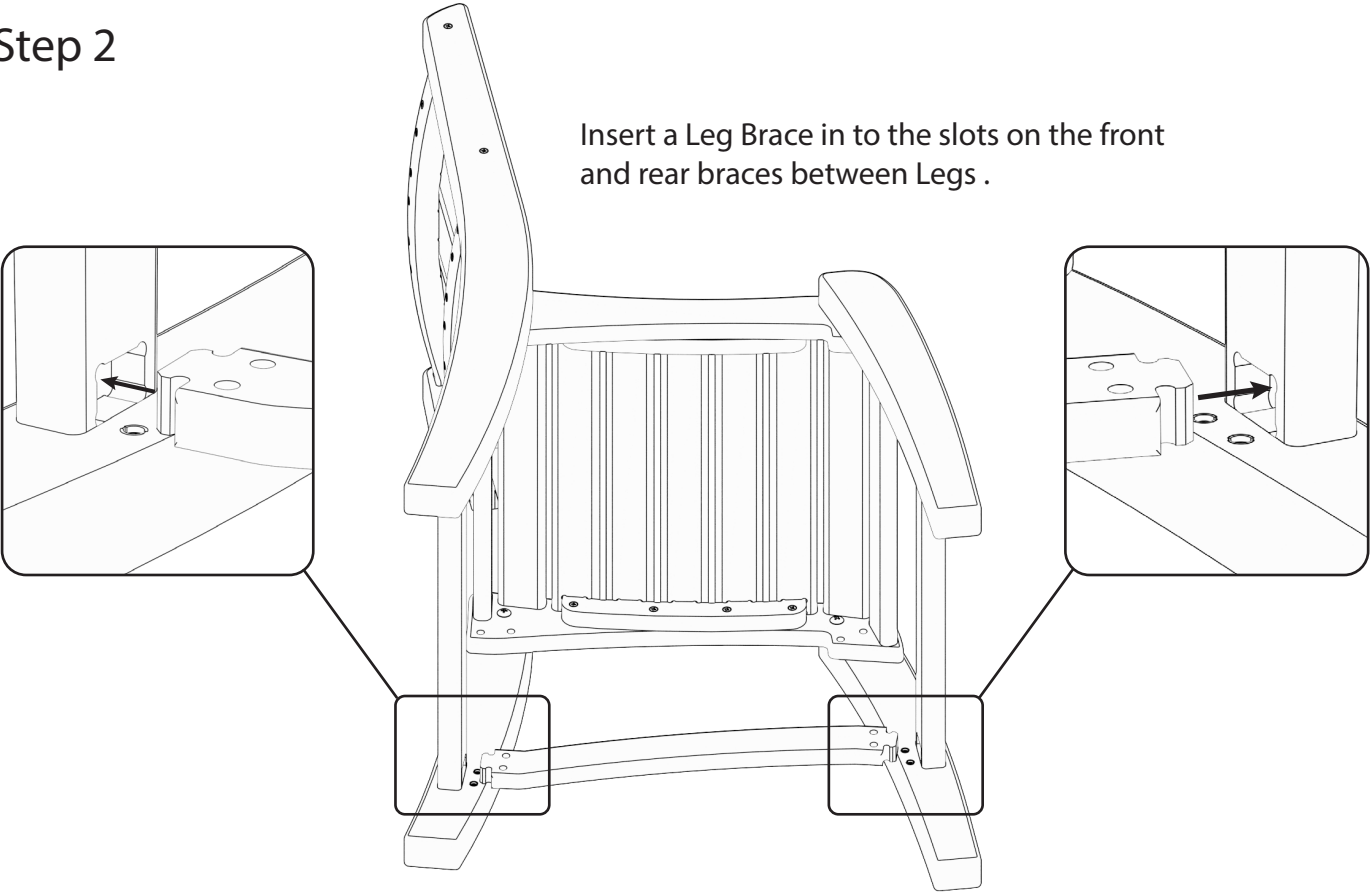
Step 1



Rotate the front legs and seat as shown above.

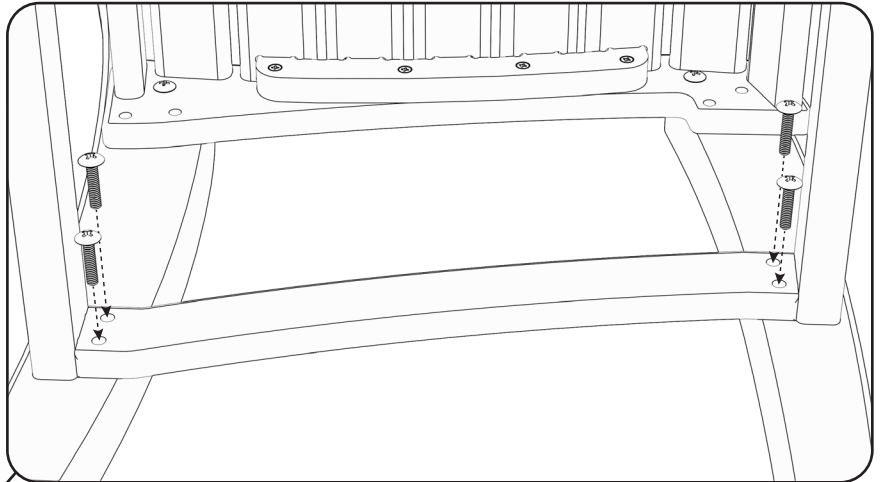
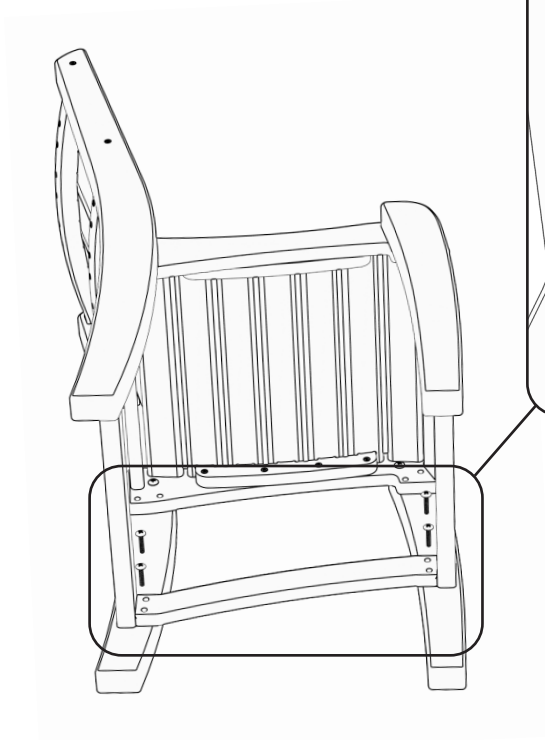
Step 2

Insert a Leg Brace in to the slots on the front and rear braces between Legs .



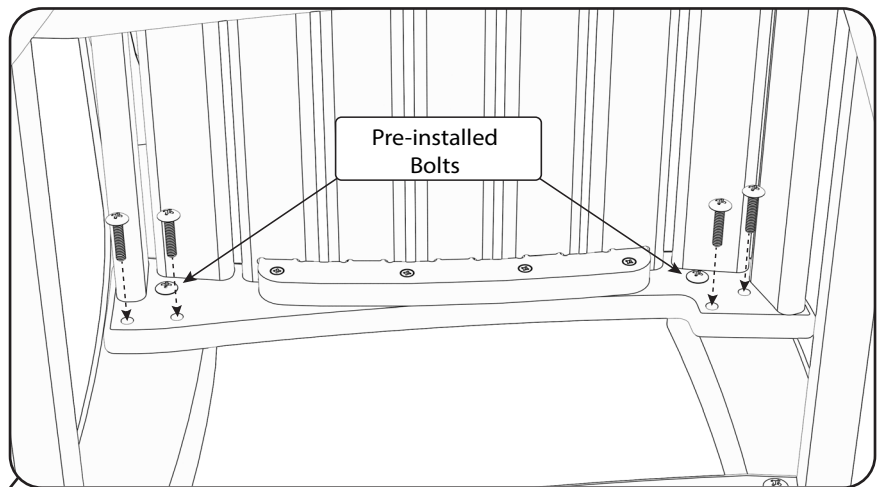
Step 3

Thread (4) 1½ Bolts as shown. Do not tighten yet.



Turn chair over and repeat this step on the opposite side.

Step 4



Thread the (4) remaining bolts through the seat in to the legs on each side.

Once all bolts have been started, proceed with tightening. Be sure to tighten the (4) bolts under the seat that were pre-installed as well.