

**Releasable stainless-steel grab-ring to grip nylon or polyurethane tube (85 or 95 durometer).**

**Nickel plated brass components.**

**Pre-applied thread sealant on all taper threads and recessed captive O-ring on parallel threads.**

**Internal and external hexagons on straight fittings.**

**Immediate quality sealing using silicone free U-packing.**



**Technical data**

**Medium**

Compressed air

**Operating pressure**

750mm Hg vacuum, up to 10 bar

Temperature

0 to 60°C

**Medium**

compressed air

**Tube sizes**

Standard sizes:

4, 6, 8, 10, 12, 16 mm

Miniature sizes:

3, 4, and 6 mm

**Thread sizes**

Standard sizes:

M5, M6, 1/8, 1/4, 3/8 and 1/2 inch, ISO G and ISO R

Miniature sizes:

M3, M5 and 1/8 inch ISO R

**Tube types**

Nylon 11 or 12

Polyurethane 85, 95 or 98 durometer

**Materials**

Body: PBT

Seals: NBR (silicone free) u-packing and O-rings

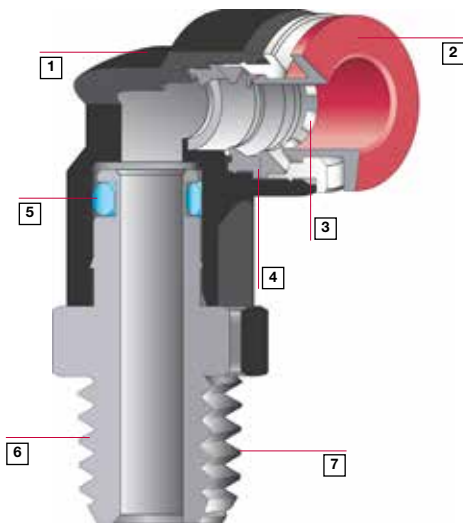
Threaded bodies: nickel plated brass

Release sleeve and backing ring: POM

Grab-ring: stainless steel

Collar: nickel plated zinc

Thread sealant: Chemiseal G 175



**1** Impact resistant PBT body in black for Pneufit® C and light gray for Pneufit® M.

**2** Release buttons are red for metric, grey for inch, and light grey oval for Pneufit® M.

**3** Stainless steel grab ring with special design to retain softer tube and provide easy releasability.

**4** Silicon free U-packing provides leak tight tube seal under side loading.

**5** Stem seal provides leak tight 360° swivel connection.

**6** Nickel plated brass threads and notches on hex to signify NPT.

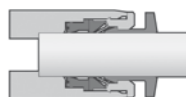
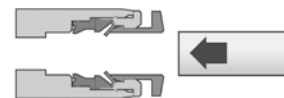
**7** Pre-applied thread sealant on tapered threads and recessed captive O-ring on parallel threads.

**Method of assembly**



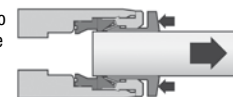
**1.** Ensure that the end tube is cut square and is free from burrs.

**2.** Push the tube through the release ring button and grab ring into the fitting.



**3.** Push the tube firmly through the 'O' ring until it bottoms on the tube stop, then pull back.

**4.** To disconnect, push the tube into the fitting, hold down the release button and withdraw the tube.



**Straight adapter  
(external + internal hex)**

O/D tube	Thread	Part number
4mm	M5	C02250405
4mm	M6	C02250406
4mm	1/8" R	C01250418
4mm	1/4" R	C01250428
4mm	1/8" G	C02250418
4mm	1/4" G	C02250428
6mm	M5	C02250605
6mm	M6	C02250606
6mm	1/8" R	C01250618
6mm	1/4" R	C01250628
6mm	3/8" R	C01250638
6mm	1/2" R	C01250648
6mm	1/8" G	C02250618
6mm	1/4" G	C02250628
6mm	3/8" G	C02250638
8mm	1/8" R	C01250818
8mm	1/4" R	C01250828
8mm	3/8" R	C01250838
8mm	1/2" R	C01250848
8mm	1/8" G	C02250818
8mm	1/4" G	C02250828
8mm	3/8" G	C02250838
8mm	1/2" G	C02250848
10mm	1/8" R	C01251018
10mm	1/4" R	C01251028
10mm	3/8" R	C01251038
10mm	1/2" R	C01251048
10mm	1/8" G	C02251018
10mm	1/4" G	C02251028
10mm	3/8" G	C02251038
10mm	1/2" G	C02251048
12mm	1/8" R	C01251218
12mm	1/4" R	C01251228
12mm	3/8" R	C01251238
12mm	1/2" R	C01251248
12mm	1/4" G	C02251228
12mm	3/8" G	C02251238
12mm	1/2" G	C02251248
16mm	3/8" R	C01251638
16mm	1/2" R	C01251648
16mm	3/8" G	C02251638
16mm	1/2" G	C02251648


**Straight adapter  
(internal hex only)**

O/D tube	Thread	Part number
4mm	M5	C022A0405
4mm	1/8" R	C012A0418
4mm	1/4" R	C012A0428
4mm	3/8" R	C012A0438
6mm	M5	C022A0605
6mm	M6	C022A0606
6mm	1/8" R	C012A0618
6mm	1/4" R	C012A0628
6mm	3/8" R	C012A0638
8mm	1/4" R	C012A0828
8mm	3/8" R	C012A0838
10mm	1/8" R	C012A1018
10mm	1/4" R	C012A1028
10mm	3/8" R	C012A1038
10mm	1/2" R	C012A1048
12mm	1/8" R	C012A1218
12mm	1/4" R	C012A1228
12mm	3/8" R	C012A1238
12mm	1/2" R	C012A1248


**Straight adapter  
(female thread)**

O/D tube	Thread	Part number
4mm	M5	C02260405
4mm	1/8" G	C02260418
4mm	1/4" G	C02260428
6mm	1/8" G	C02260618
6mm	1/4" G	C02260628
6mm	3/8" G	C02260638
8mm	1/8" G	C02260818
8mm	1/4" G	C02260828
8mm	3/8" G	C02260838
8mm	1/2" G	C02260848
10mm	1/8" G	C02261018
10mm	1/4" G	C02261028
10mm	3/8" G	C02261038
10mm	1/2" G	C02261048
12mm	3/8" G	C02261238
12mm	1/2" G	C02261248



**Straight Adaptor  
(female bulkhead)**

O/D tube	Thread	Part number
4mm	1/8" G	C02320418
4mm	1/4" G	C02320428
4mm	3/8" G	C02320438
6mm	1/8" G	C02320618
6mm	1/4" G	C02320628
6mm	3/8" G	C02320638
8mm	1/8" G	C02320818
8mm	1/4" G	C02320828
8mm	3/8" G	C02320838
10mm	1/4" G	C02321028
10mm	3/8" G	C02321038
10mm	1/2" G	C02321048
12mm	1/4" G	C02321228
12mm	3/8" G	C02321238
12mm	1/2" G	C02321248



**90° Swivel elbow adapter  
(extended)**

O/D tube	Thread	Part number
4mm	M5	C02540405
4mm	M6	C02540406
4mm	1/8" R	C01540418
4mm	1/4" R	C01540428
4mm	3/8" R	C01540438
6mm	M5	C02540605
6mm	M6	C02540606
6mm	1/8" R	C01540618
6mm	1/4" R	C01540628
6mm	3/8" R	C01540638
6mm	1/2" R	C01540648
8mm	1/8" R	C01540818
8mm	1/4" R	C01540828
8mm	3/8" R	C01540838
8mm	1/2" R	C01540848
10mm	1/8" R	C01541018
10mm	1/4" R	C01541028
10mm	3/8" R	C01541038
10mm	1/2" R	C01541048
12mm	1/8" R	C01541218
12mm	1/4" R	C01541228
12mm	3/8" R	C01541238
12mm	1/2" R	C01541248
16mm	3/8" R	C01541638
16mm	1/2" R	C01541648



**90° Swivel elbow**

O/D tube	Thread	Part number
4mm	M5	C02470405
4mm	M6	C02470406
4mm	1/8" R	C01470418
4mm	1/4" R	C01470428
4mm	3/8" R	C01470438
4mm	1/8" G	C02470418
4mm	1/4" G	C02470428
4mm	3/8" G	C02470438
6mm	M5	C02470605
6mm	M6	C02470606
6mm	1/8" R	C02470618
6mm	1/4" G	C02470628
6mm	3/8" G	C02470638
8mm	1/8" R	C01470818
8mm	1/4" R	C01470828
8mm	3/8" R	C01470838
8mm	1/2" R	C01470848
8mm	1/8" G	C02470818
8mm	1/4" G	C02470828
8mm	3/8" G	C02470838
8mm	1/2" G	C02470848
10mm	1/8" R	C01471018
10mm	1/4" R	C01471028
10mm	3/8" R	C01471038
10mm	1/2" R	C01471048
10mm	1/8" G	C02471018
10mm	1/4" G	C02471028
10mm	3/8" G	C02471038
10mm	1/2" G	C02471048
12mm	1/8" R	C01471218
12mm	1/4" R	C01471228
12mm	3/8" R	C01471238
12mm	1/2" R	C01471248
12mm	1/4" G	C02471228
12mm	3/8" G	C02471238
12mm	1/2" G	C02471248
16mm	3/8" R	C01471638
16mm	1/2" R	C01471648
16mm	3/8" G	C02471638
16mm	1/2" G	C02471648



**90° Swivel elbow adapter  
(female)**

O/D tube	Thread	Part number
4mm	M5	C02480405
4mm	M6	C02480406
4mm	1/8" R	C01480418
4mm	1/4" R	C01480428
4mm	3/8" R	C01480438
6mm	M5	C02480605
6mm	M6	C02480606
6mm	1/8" R	C01480618
6mm	1/4" R	C01480628
6mm	3/8" R	C01480638
8mm	1/8" R	C01480818
8mm	1/4" R	C01480828
8mm	3/8" R	C01480838
10mm	1/4" R	C01481028
10mm	3/8" R	C01481038
10mm	1/2" R	C01481048
12mm	1/4" R	C01481228
12mm	3/8" R	C01481238
12mm	1/2" R	C01481248



**Swivel Y adapter**

O/D tube	Thread	Part number
4mm	M5	C02880405
4mm	M6	C02880406
4mm	1/8" R	C01880418
4mm	1/4" R	C01880428
4mm	3/8" R	C01880438
4mm	1/8" G	C02880418
4mm	1/4" G	C02880428
4mm	3/8" G	C02880438
6mm	M5	C02880605
6mm	M6	C02880606
6mm	1/8" R	C01880618
6mm	1/4" R	C01880628
6mm	3/8" R	C01880638
6mm	1/2" R	C01880648
6mm	1/8" G	C02880618
6mm	1/4" G	C02880628
6mm	3/8" G	C02880638
6mm	1/2" G	C02880648
8mm	1/8" R	C01880818
8mm	1/4" R	C01880828
8mm	3/8" R	C01880838
8mm	1/2" R	C01880848
8mm	1/8" G	C02880818
8mm	1/4" G	C02880828
8mm	3/8" G	C02880838
8mm	1/2" G	C02880848
10mm	1/8" R	C01881018
10mm	1/4" R	C01881028
10mm	3/8" R	C01881038
10mm	1/2" R	C01881048
10mm	1/8" G	C02881018
10mm	1/4" G	C02881028
10mm	3/8" G	C02881038
10mm	1/2" G	C02881048
12mm	1/8" R	C01881218
12mm	1/4" R	C01881228
12mm	3/8" R	C01881238
12mm	1/2" R	C01881248
12mm	1/4" G	C02881228
12mm	3/8" G	C02881238
12mm	1/2" G	C02881248


**Swivel tee adapter**

O/D tube	Thread	Part number
4mm	M5	C02670405
4mm	M6	C02670406
4mm	1/8" R	C01670418
4mm	1/4" R	C01670428
4mm	3/8" R	C01670438
4mm	1/8" G	C02670418
4mm	1/4" G	C02670428
4mm	3/8" G	C02670438
6mm	M5	C02670605
6mm	M6	C02670606
6mm	1/8" R	C01670618
6mm	1/4" R	C01670628
6mm	3/8" R	C01670638
6mm	1/2" R	C01670648
6mm	1/8" G	C02670618
6mm	1/4" G	C02670628
6mm	3/8" G	C02670638
6mm	1/2" G	C02670648
8mm	1/8" R	C01670818
8mm	1/4" R	C01670828
8mm	3/8" R	C01670838
8mm	1/2" R	C01670848
8mm	1/8" G	C02670818
8mm	1/4" G	C02670828
8mm	3/8" G	C02670838
8mm	1/2" G	C02670848
10mm	1/8" R	C01671018
10mm	1/4" R	C01671028
10mm	3/8" R	C01671038
10mm	1/2" R	C01671048
10mm	1/8" G	C02671018
10mm	1/4" G	C02671028
10mm	3/8" G	C02671038
10mm	1/2" G	C02671048
12mm	1/8" R	C01671218
12mm	1/4" R	C01671228
12mm	3/8" R	C01671238
12mm	1/2" R	C01671248
12mm	1/4" G	C02671228
12mm	3/8" G	C02671238
12mm	1/2" G	C02671248
16mm	3/8" R	C01671638
16mm	1/2" R	C01671648
16mm	3/8" G	C02671638
16mm	3/8" G	C02671638
16mm	1/2" G	C02671648



### Swivel side tee adapter

O/D tube	Thread	Part number
4mm	M5	C02680405
4mm	M6	C02680406
4mm	1/8" R	C01680418
4mm	1/4" R	C01680428
4mm	3/8" R	C01680438
4mm	1/8" G	C02680418
4mm	1/4" G	C02680428
4mm	3/8" G	C02680438
6mm	M5	C02680605
6mm	M6	C02680606
6mm	1/8" R	C02680618
6mm	1/4" R	C01680628
6mm	3/8" R	C01680638
6mm	1/2" R	C01680648
6mm	1/8" G	C02680618
6mm	1/4" G	C02680628
6mm	3/8" G	C02680638
8mm	1/8" R	C01680818
8mm	1/4" R	C01680828
8mm	3/8" R	C01680838
8mm	1/2" R	C01680848
8mm	1/8" G	C02680818
8mm	1/4" G	C02680828
8mm	3/8" G	C02680838
8mm	1/2" G	C02680848
10mm	1/8" R	C01681018
10mm	1/4" R	C01681028
10mm	3/8" R	C01681038
10mm	1/2" R	C01681048
10mm	1/8" G	C02681018
10mm	1/4" G	C02681028
10mm	3/8" G	C02681038
10mm	1/2" G	C02681048
12mm	1/8" R	C01681218
12mm	1/4" R	C01681228
12mm	3/8" R	C01681238
12mm	1/2" R	C01681248
12mm	1/4" G	C02681228
12mm	3/8" G	C02681238
12mm	1/2" G	C02681248



### Swivel tee adapter

O/D tube	Thread	Part number
4mm	M5	C026C0405
4mm	M6	C026C0406
4mm	1/8" R	C016C0418
4mm	1/4" R	C016C0428
6mm	M5	C026C0605
6mm	M6	C026C0606
6mm	1/8" R	C016C0618
6mm	1/4" R	C016C0628
6mm	3/8" R	C016C0638
8mm	1/8" R	C016C0818
8mm	1/4" R	C016C0828
8mm	3/8" R	C016C0838
8mm	1/2" R	C016C0848
10mm	1/8" R	C016C1018
10mm	1/4" R	C016C1028
10mm	3/8" R	C016C1038
10mm	1/2" R	C016C1048
12mm	1/4" R	C016C1228
12mm	3/8" R	C016C1238
12mm	1/2" R	C016C1248



### Banjo

O/D tube	Thread	Part number
4mm	M5	COA510405
4mm	M6	COA510406
4mm	1/8" G	COA510418
4mm	1/4" G	COA510428
6mm	M5	COA510605
6mm	M6	COA510606
6mm	1/8" G	COA510618
6mm	1/4" G	COA510628
6mm	3/8" G	COA510638
8mm	1/8" G	COA510818
8mm	1/4" G	COA510828
8mm	3/8" G	COA510838
8mm	1/2" G	COA510848
10mm	1/4" G	COA511028
10mm	3/8" G	COA511038
10mm	1/2" G	COA511048
12mm	3/8" G	COA511238
12mm	1/2" G	COA511248



### Banjo with top port

O/D tube	Thread	Part number
4mm	M5	COD510405
4mm	1/8" R	COE510418
4mm	1/4" R	COF510428
6mm	M5	COD510605
6mm	1/8" R	COE510618
6mm	1/4" R	COF510628
6mm	3/8" R	COG510638
8mm	1/8" R	COE510818
8mm	1/4" R	COF510828
8mm	3/8" R	COG510838
10mm	1/4" R	COF511028
10mm	3/8" R	COG511038
12mm	3/8" R	COG511238



**Banjo flow control  
(regulating out)**

O/D tube	Thread	Part number
4mm	M5	COK510405
4mm	1/8" R	COTA00418
4mm	1/4" R	COTA00428
4mm	1/8" G	COK510418
4mm	1/4" G	COK510428
6mm	M5	COK510605
6mm	1/8" R	COTA00618
6mm	1/4" R	COTA00628
6mm	3/8" R	COTA00638
6mm	1/8" G	COK510618
6mm	1/4" G	COK510628
6mm	3/8" G	COK510638
8mm	1/8" R	COTA00818
8mm	1/4" R	COTA00828
8mm	3/8" R	COTA00838
8mm	1/2" R	COTA00848
8mm	1/8" G	COK510818
8mm	1/4" G	COK510828
8mm	3/8" G	COK510838
8mm	1/2" G	COK510848
10mm	1/4" R	COTA01028
10mm	3/8" R	COTA01038
10mm	1/2" R	COTA01048
10mm	1/4" G	COK511028
10mm	3/8" G	COK511038
10mm	1/2" G	COK511048
12mm	1/4" R	COTA01228
12mm	3/8" R	COTA01238
12mm	1/2" R	COTA01248
12mm	1/4" G	COK511228
12mm	3/8" G	COK511238
12mm	1/2" G	COK511248


**In line flow control**

O/D tube	Part number
4mm	C00GE0400
6mm	C00GE0600
8mm	C00GE0800
10mm	C00GE1000
12mm	C00GE1200


**Straight union**

O/D tube	Part number
4mm	C00200400
6mm	C00200600
8mm	C00200800
10mm	C00201000
12mm	C00201200
16mm	C00201600


**Bulkhead union**

O/D tube	Part number
4mm	C00290400
6mm	C00290600
8mm	C00290800
10mm	C00291000
12mm	C00291200


**Stem union**

O/D tube	Part number
4mm	C00220400
6mm	C00220600
8mm	C00220800
10mm	C00221000
12mm	C00221200
16mm	C00221600


**Plug**

O/D tube	Part number
4mm	C00040400
6mm	C00040600
8mm	C00040800
10mm	C00041000
12mm	C00041200
16mm	C00041600


**Cap**

O/D tube	Part number
4mm	C00120400
6mm	C00120600
8mm	C00120800
10mm	C00121000
12mm	C00121200
16mm	C00121600


**Union elbow**

O/D tube	Part number
4mm	C00400400
6mm	C00400600
8mm	C00400800
10mm	C00401000
12mm	C00401200
16mm	C00401600



### Stem elbow

O/D tube	Part number
4mm	C00430400
6mm	C00430600
8mm	C00430800
10mm	C00431000
12mm	C00431200
16mm	C00431600



### Union Y

O/D tube	Part number
4mm	C00820400
6mm	C00820600
8mm	C00820800
10mm	C00821000
12mm	C00821200



### Union tee

O/D tube	Part number
4mm	C00600400
6mm	C00600600
8mm	C00600800
10mm	C00601000
12mm	C00601200
16mm	C00601600



### Stem Y

O/D tube	Part number
4mm	C00840400
6mm	C00840600
8mm	C00840800
10mm	C00841000
12mm	C00841200



### Stem tee

O/D tube	Part number
4mm	C00630400
6mm	C00630600
8mm	C00630800
10mm	C00631000
12mm	C00631200



### Union cross

O/D tube	Part number
4mm	C00900400
6mm	C00900600
8mm	C00900800
10mm	C00901000
12mm	C00901200



### Stem side tee

O/D tube	Part number
4mm	C00640400
6mm	C00640600
8mm	C00640800
10mm	C00641000
12mm	C00641200



### Straight union (unequal)

O/D tube	Part number
6 - 4mm	C00200604
8 - 6mm	C00200806
10 - 8mm	C00201008
12 - 10mm	C00201210
16 - 12mm	C00201612



**Stem Reducer (stem/tube)**

O/D tube	Part number
6 - 4mm	C00230604
8 - 4mm	C00230804
8 - 6mm	C00230806
10 - 6mm	C00231006
10 - 8mm	C00231008
12 - 8mm	C00231208
12 - 10mm	C00231210
16 - 12mm	C00231612


**Stem Side Tee (unequal)**

O/D tube	Part number
6 - 4mm	C00640604
8 - 6mm	C00640806
10 - 8mm	C00641008
12 - 10mm	C00641210


**Stem Expander (stem/tube)**

O/D tube	Part number
6 - 4mm	C00230406
8 - 6mm	C00230608


**Stem Tee (unequal)**

O/D tube	Part number
6 - 4mm	C00630604
8 - 6mm	C00630806
10 - 8mm	C00631008
12 - 10mm	C00631210


**Stem Union (unequal)**

O/D tube	Part number
6 - 4mm	C00220604
8 - 6mm	C00220806
10 - 8mm	C00221008
12 - 10mm	C00221210
16 - 12mm	C00221612


**Union Y (unequal)**

O/D tube	Part number
6 - 4mm	C00820604
8 - 6mm	C00820806
10 - 8mm	C00821008
12 - 10mm	C00821210


**Union Tee (unequal)**

O/D tube	Part number
6 - 4mm	C006A0604
8 - 6mm	C006A0806
10 - 6mm	C006A1006
10 - 8mm	C006A1008
12 - 8mm	C006A1208
12 - 10mm	C006A1210
16 - 12mm	C006A1612


**Stem Y (unequal)**

O/D tube	Part number
6 - 4mm	C00840604
8 - 6mm	C00840806
10 - 8mm	C00841008
12 - 10mm	C00841210





## MINIATURE PNEUFIT® M

### Straight adapter (external + internal hex)

O/D tube	Thread	Part number
3mm	M3	M02250303
3mm	M5	M02250305
3mm	M6	M02250306
4mm	M3	M02250403
4mm	M5	M02250405
4mm	M6	M02250406
4mm	1/8"	M01250418
6mm	M5	M02250605
6mm	M6	M02250606
6mm	1/8"	M01250618



### 90° Swivel Elbow Adapter

O/D tube	Thread	Part number
3mm	M3	M02470303
3mm	M5	M02470305
3mm	M6	M02470306
4mm	M3	M02470403
4mm	M5	M02470405
4mm	M6	M02470406
4mm	1/8"	M01470418
6mm	M5	M02470605
6mm	M6	M02470606
6mm	1/8"	M01470618



### Straight adapter (internal hex only)

O/D tube	Thread	Part number
3mm	M3	M022A0303
3mm	M5	M022A0305
3mm	M6	M022A0306
4mm	M3	M022A0403
4mm	M5	M022A0405
4mm	M6	M022A0406
4mm	1/8"	M012A0418
6mm	M5	M022A0605
6mm	M6	M022A0606
6mm	1/8"	M012A0618



### Swivel Tee Adapter

O/D tube	Thread	Part number
3mm	M3	M02670303
3mm	M5	M02670305
4mm	M3	M02670403
4mm	M5	M02670405
4mm	M6	M02670406
4mm	1/8"	M01670418
6mm	M5	M02670605
6mm	1/8"	M01670618



### Straight adapter (female thread)

O/D tube	Thread	Part number
3mm	M5	M02260305
3mm	M6	M02260306
4mm	M3	M02260403
4mm	M5	M02260405
4mm	M6	M02260406
4mm	1/8"	M01260418
6mm	M6	M02260606
6mm	1/8"	M01260618
6mm	M5	M02260605



### Swivel Side Tee Adapter

O/D tube	Thread	Part number
3mm	M3	M02680303
3mm	M5	M02680305
3mm	M6	M02680306
4mm	M3	M02680403
4mm	M5	M02680405
4mm	M6	M02680406
6mm	M5	M02680605
6mm	M6	M02680606



### Straight Union

O/D tube	Part number
3mm	M00200300
4mm	M00200400
6mm	M00200600



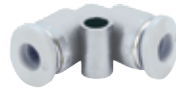
### Straight Union (unequal)

O/D tube	Part number
4mm-3mm	M00200403
6mm-3mm	M00200603
6mm-4mm	M00200604



### Union Elbow

O/D tube	Part number
3mm	M00400300
4mm	M00400400
6mm	M00400600



### Stem Reducer (stem/tube)

O/D tube	Thread	Part number
3mm	M5	C0K510305
4mm	M5	C0K510405
6mm	M5	C0K510605



### Union Tee

O/D tube	Part number
3mm	M00600300
4mm	M00600400
6mm	M00600600



## PNEUFIT® C MANIFOLDS

### Male Manifold

O/D tube	Thread	Part number
6 - 4mm	1/8" R	C01D30418
8 - 4mm	1/4" R	C01D30428
8 - 6mm	1/4" R	C01D30628
10 - 8mm	3/8" R	C01D30838



### Manifold Union

O/D tube	Part number
6 - 4mm	C00D30604
8 - 4mm	C00D30804
8 - 6mm	C00D30806
10 - 6mm	C00D31006
10 - 8mm	C00D31008



### Stem Manifold

O/D tube	Part number
6 - 4mm	C00J30604
8 - 4mm	C00J30804
8 - 6mm	C00J30806
10 - 8mm	C00J31008



## Thread to thread

### 3/2 Shut off valves

ISO R thread to thread	Part number
R 1/8"	C01GG1818
R 1/4"	C01GG2828
R 3/8"	C01GG3838
R 1/2"	C01GG4848



### Tube to tube

Tube to tube (mm)	Part number
6	C00GF0600
8	C00GF0800
10	C00GF1000
12	C00GF1200



### Tube to thread

Inlet tube O/D (mm)	Outlet ISO R thread	Part number
6	R 1/8	C01GH 0618
6	R 1/4	C01GH 0628
6	R 3/8	C01GH 0638
8	R 1/8	C01GH 0818
8	R 1/4	C01GH 0828
8	R 3/8	C01GH 0838
10	R 1/4	C01GH 1028
10	R 3/8	C01GH 1038
10	R 1/2	C01GH 1048
12	R 1/4	C01GH 1228
12	R 3/8	C01GH 1238
12	R 1/2	C01GH 1248



### Thread to tube

Inlet ISO R thread	Outlet tube O/D (mm)	Part number
R 1/8	6	C01GJ 0618
R 1/8	8	C01GJ 0818
R 1/4	6	C01GJ 0628
R 1/4	8	C01GJ 0828
R 1/4	10	C01GJ 1028
R 1/4	12	C01GJ 1228
R 3/8	6	C01GJ 0638
R 3/8	8	C01GJ 0838
R 3/8	10	C01GJ 1038
R 3/8	12	C01GJ 1238
R 1/2	10	C01GJ 1048
R 1/2"	12	C01GJ 1248

