

Atkore Unistrut & Marco Catalogue



Atkore[™]
Unistrut

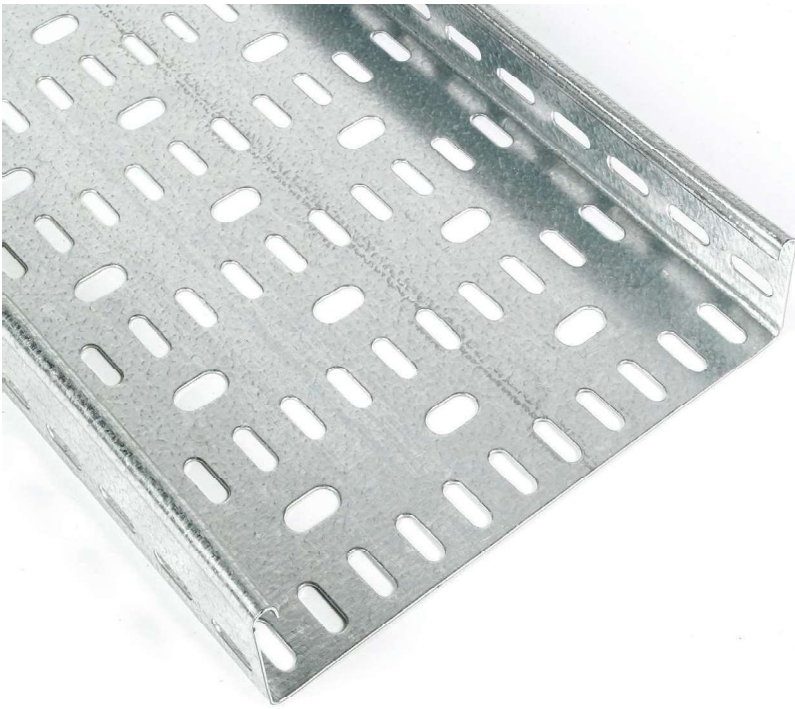
Atkore[™]
Marco

Cable Tray

Cable Tray Systems from
Atkore Unistrut



THE CABLE TRAY RANGE



Atkore Unistrut Slot Pattern

Traditional Unistrut standard design in use since 1965, synonymous with strength and quality.



The complete range of Atkore Unistrut Cable Tray for use in **Light, Medium, Heavy & Extra Heavy** duty applications. Available in a variety of sizes, the Atkore Unistrut system provides the ultimate in flexibility, quality and speed in installation. Ideal for all your cable applications, from low power control and signalling to mains power supply cabling. With a complete range of fixings and accessories including bends, risers and covers.

Light Duty (TULL)

Available in 3m lengths with depths of 12mm (50mm wide to 225mm wide) and 18mm (300mm to 900mm wide), in [PG] Pre-Galvanised, [HG] Hot-Dip Galvanised and [SS] Stainless Steel finishes.

Heavy Duty (TUHLT)

Available in 3m lengths with a depth of 50mm and widths from 50 to 900mm, in [PG] Pre-Galvanised, [HG] Hot-Dip Galvanised and [SS] Stainless Steel.

150mm Deep Cable Tray (TUXHLT)

Available in 3m lengths with a depth of 150mm and from 100 to 600mm widths. Finish applications include [PG] Pre-Galvanised, [HG] Hot-Dip Galvanised and [SS] Stainless Steel.

Medium Duty (TUMLT)

Available in 3m lengths with a depth of 25mm and widths from 50 to 900mm, in [PG] Pre-Galvanised, [HG] Hot-Dip Galvanised and [SS] Stainless Steel finishes.

Extra Heavy Duty (TUEHLT)

Available in 3m lengths with a depth of 100mm and from 100 to 900mm widths. Finish applications include [PG] Pre-Galvanised, [HG] Hot-Dip Galvanised and [SS] Stainless Steel.

ATKORE UNISTRUT CABLE TRAY



Cable Tray Features:

- Traditional Unistrut slot pattern
- All material is European standard graded
- Widths : 50, 75, 100, 150, 225, 300, 450, 600, 750 and 900mm
- Compatible with Unistrut fittings only
- Stock held in the UK
- An extensive range of dedicated accessories, bracketry and support systems
- Covers available for all sizes



Standard Material & Finish Codes

Finish	Code
Pre-Galvanised	PG
Hot Dipped Galvanised	HG
Stainless Steel	SS

Other materials and finishes available upon request.

Materials standards and details can be found on page 8.

Material Standards

Finish	Standard
PG	Pre-Galvanised Steel to BS EN 10346 DX51D Z275-N-A-
HG	Mild Steel to BS EN 10111 - DD11 or BS EN 10139 - DC01
DH	BS EN 10025 S275JO+AR+CL1 or equivalent/better - 2mm thick min. material.
SS	Stainless Steel - Hot Rolled to B.S.EN10088-2-1.4404+1D

Icon Key



Including Fittings



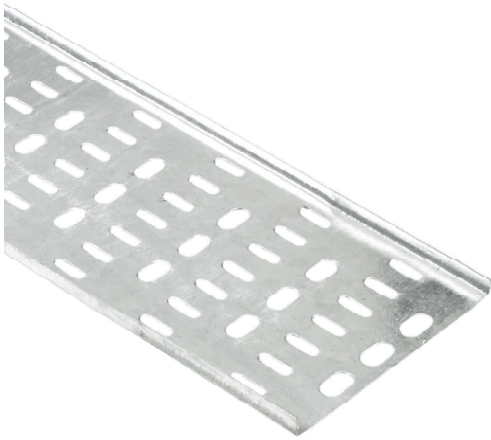
Sold as Pair



Sold as Individual

Pickle & Passivate is available upon request.

Atkore Unistrut Light Duty Cable Tray



Light duty Cable Tray is lightweight and often selected for ease of installation. Atkore Unistrut offer a wide range of accessories and fixings to suit, please refer to page 66.



**Sold as
Individual**

Available in 3m lengths with widths from 50 to 900mm.



Size	Part No.			W	B	C	Weight
	PG	HG	SS	mm	mm	mm	kg
50mm x 3m	TULL050/10PG	TULL050/10HG	TULL050/10SS	50	12	0.80	1.23
75mm x 3m	TULL075/10PG	TULL075/10HG	TULL075/10SS	75	12	0.80	1.68
100mm x 3m	TULL100/10PG	TULL100/10HG	TULL100/10SS	100	12	0.80	2.13
150mm x 3m	TULL150/10PG	TULL150/10HG	TULL150/10SS	150	12	0.80	2.86
225mm x 3m	TULL225/10PG	TULL225/10HG	TULL225/10SS	225	12	0.80	3.92
300mm x 3m	TULL300/15PG	TULL300/15HG	TULL300/15SS	300	18	1.20	7.98
450mm x 3m	TULL450/15PG	TULL450/15HG	TULL450/15SS	450	18	1.20	18.25
600mm x 3m	TULL600/20PG	TULL600/20HG	TULL600/20SS	600	18	1.20	30.37
750mm x 3m	TULL750/20PG	TULL750/20HG	TULL750/20SS	750	18	2.00	39.45
900mm x 3m	TULL900/20PG	TULL900/20HG	TULL900/20SS	900	18	2.00	47.01

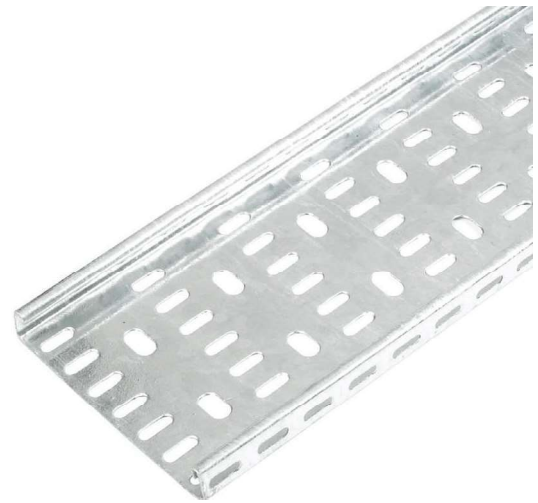
Medium Duty

Atkore Unistrut Medium Duty Cable Tray

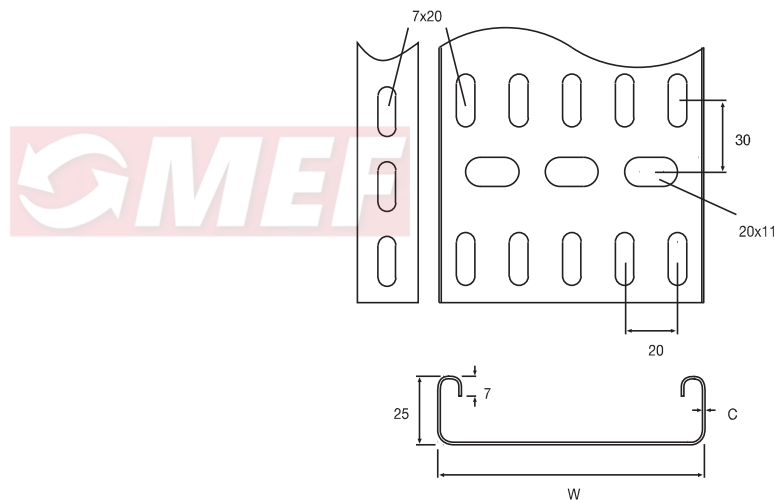
Medium duty steel Cable Tray, robust enough to meet a wide variety of applications but light enough to handle and install with ease and complete with wide range of accessories and fixings to suit, please refer to page 66.



Sold as Individual



Available in 3m lengths with widths from 50 to 900mm,



Size (W)	Part No.			W	C	Weight
	PG	HG	SS	mm	mm	kg
50mm x 3m	TUMLT050/10PG	TUMLT050/10HG	TUMLT050/10SS	50	0.80	2.02
75mm x 3m	TUMLT075/10PG	TUMLT075/10HG	TUMLT075/10SS	75	0.80	2.48
100mm x 3m	TUMLT100/10PG	TUMLT100/10HG	TUMLT100/10SS	100	0.80	2.93
150mm x 3m	TUMLT150/10PG	TUMLT150/10HG	TUMLT150/10SS	150	0.80	3.72
225mm x 3m	TUMLT225/10PG	TUMLT225/10HG	TUMLT225/10SS	225	0.80	4.97
300mm x 3m	TUMLT300/15PG	TUMLT300/15HG	TUMLT300/15SS	300	1.20	9.13
450mm x 3m	TUMLT450/15PG	TUMLT450/15HG	TUMLT450/15SS	450	1.20	12.82
600mm x 3m	TUMLT600/15PG	TUMLT600/15HG	TUMLT600/15SS	600	1.20	16.5
750mm x 3m	TUMLT750/20PG	TUMLT750/20HG	TUMLT750/20SS	750	2.00	40.75
900mm x 3m	TUMLT900/20PG	TUMLT900/20HG	TUMLT900/20SS	900	2.00	48.13

Atkore Unistrut Heavy Duty Cable Tray

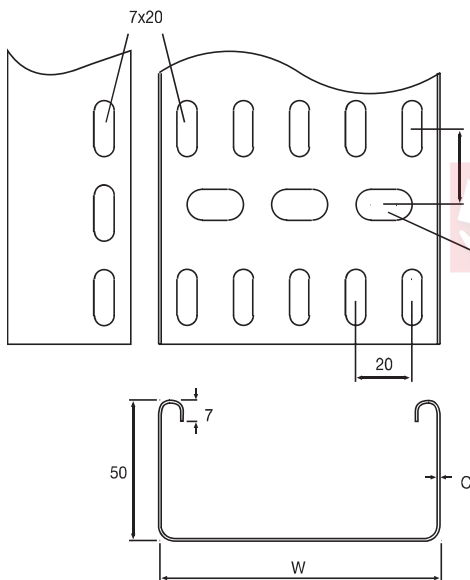


Heavy duty steel Cable Tray, designed to meet heavy cable load needs and complete with wide range of accessories and fixings to suit, please refer to page 66.



Sold as Individual

Available in 3m lengths with widths from 50 to 900mm.



Size (W)	Part No.			W	C	Weight
	PG	HG	SS			
50mm x 3m	TUHLT050/10PG	TUHLT050/10HG	TUHLT050/10SS	50	0.80	3.16
75mm x 3m	TUHLT075/10PG	TUHLT075/10HG	TUHLT075/10SS	75	0.80	3.46
100mm x 3m	TUHLT100/10PG	TUHLT100/10HG	TUHLT100/10SS	100	0.80	3.92
150mm x 3m	TUHLT150/10PG	TUHLT150/10HG	TUHLT150/10SS	150	0.80	4.71
225mm x 3m	TUHLT225/15PG	TUHLT225/15HG	TUHLT225/15SS	225	1.20	8.72
300mm x 3m	TUHLT300/15PG	TUHLT300/15HG	TUHLT300/15SS	300	1.20	10.59
450mm x 3m	TUHLT450/20PG	TUHLT450/20HG	TUHLT450/20SS	450	2.00	23.28
600mm x 3m	TUHLT600/20PG	TUHLT600/20HG	TUHLT600/20SS	600	2.00	29.35
750mm x 3m	TUHLT750/20PG	TUHLT750/20HG	TUHLT750/20SS	750	2.00	45.3
900mm x 3m	TUHLT900/20PG	TUHLT900/20HG	TUHLT900/20SS	900	2.00	52.85

Extra Heavy Duty

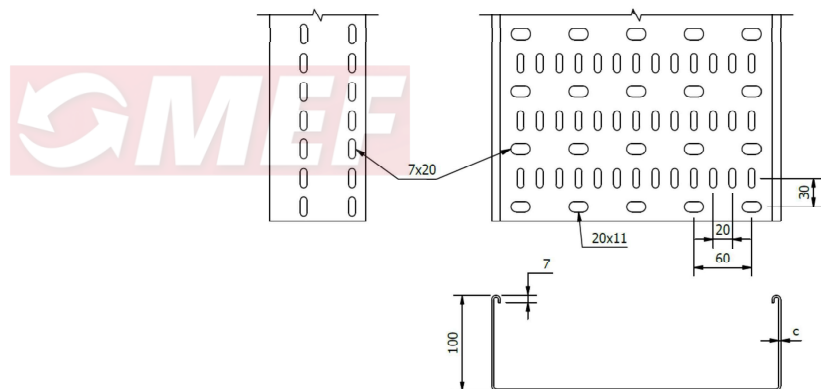
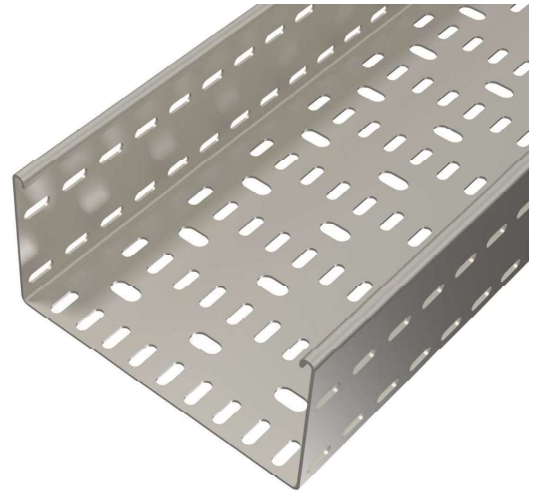
Atkore Unistrut Extra Heavy Duty Cable Tray

Extra heavy duty cable tray is perfect for applications which require a more robust solution.

Available in 3m lengths with widths from 100 & 900mm.



Sold as Individual



Size (W)	Part No.			W	C	Weight
	PG	HG	SS	mm	mm	kg
75mm x 3m	TUEHLT075/10PG	TUEHLT075/10HG	TUEHLT075/10SS	75	0.8	6.00
100mm x 3m	TUEHLT100/10PG	TUEHLT100/10HG	TUEHLT100/10SS	100	0.8	6.00
150mm x 3m	TUEHLT150/10PG	TUEHLT150/10HG	TUEHLT150/10SS	150	0.8	6.99
225mm x 3m	TUEHLT225/15PG	TUEHLT225/15HG	TUEHLT225/15SS	225	1.2	12.43
300mm x 3m	TUEHLT300/15PG	TUEHLT300/15HG	TUEHLT300/15SS	300	1.2	14.55
450mm x 3m	TUEHLT450/15PG	TUEHLT450/15HG	TUEHLT450/15SS	450	1.2	31.13
600mm x 3m	TUEHLT600/20PG	TUEHLT600/20HG	TUEHLT600/20SS	600	2.0	38.20
750mm x 3m	TUEHLT750/20PG	TUEHLT750/20HG	TUEHLT750/20SS	750	2.0	45.40
900mm x 3m	TUEHLT900/20PG	TUEHLT900/20HG	TUEHLT900/20SS	900	2.0	52.47

45° Flat Bends

Atkore Unistrut Flat Bends

Light Duty 45° Flat Bend (17mm)

Size (W)	Part No.			Weight kg
	PG	HG	SS	
50mm	TULB050/45PG	TULB050/45HG	TULB050/45SS	0.07
75mm	TULB075/45PG	TULB075/45HG	TULB075/45SS	0.12
100mm	TULB100/45PG	TULB100/45HG	TULB100/45SS	0.19
150mm	TULB150/45PG	TULB150/45HG	TULB150/45SS	0.33
225mm	TULB225/45PG	TULB225/45HG	TULB225/45SS	0.58
300mm	TULB300/45PG	TULB300/45HG	TULB300/45SS	1.34
450mm	TULB450/45PG	TULB450/45HG	TULB450/45SS	3.07
600mm	TULB600/45PG	TULB600/45HG	TULB600/45SS	5.13
750mm	TULB750/45PG	TULB750/45HG	TULB750/45SS	7.7
900mm	TULB900/45PG	TULB900/45HG	TULB900/45SS	10.79



Sold as Individual

Product image may vary dependant on duty of fitting, finish and size.

Medium Duty 45° Flat Bend (25mm)

Size (W)	Part No.			Weight kg
	PG	HG	SS	
50mm	TUMB050/45PG	TUMB050/45HG	TUMB050/45SS	0.13
75mm	TUMB075/45PG	TUMB075/45HG	TUMB075/45SS	0.17
100mm	TUMB100/45PG	TUMB100/45HG	TUMB100/45SS	0.22
150mm	TUMB150/45PG	TUMB150/45HG	TUMB150/45SS	0.34
225mm	TUMB225/45PG	TUMB225/45HG	TUMB225/45SS	0.55
300mm	TUMB300/45PG	TUMB300/45HG	TUMB300/45SS	1.16
450mm	TUMB450/45PG	TUMB450/45HG	TUMB450/45SS	2.00
600mm	TUMB600/45PG	TUMB600/45HG	TUMB600/45SS	3.01
750mm	TUMB750/45PG	TUMB750/45HG	TUMB750/45SS	6.60
900mm	TUMB900/45PG	TUMB900/45HG	TUMB900/45SS	8.75

Extra Heavy Duty 45° Flat Bend (100mm)

Size (W)	Part No.			Weight kg
	PG	HG	SS	
75mm	TUEHB075/45PG	TUEHB075/45HG	TUEHB075/45SS	0.36
100mm	TUEHB100/45PG	TUEHB100/45HG	TUEHB100/45SS	0.48
150mm	TUEHB150/45PG	TUEHB150/45HG	TUEHB150/45SS	0.50
225mm	TUEHB225/45PG	TUEHB225/45HG	TUEHB225/45SS	1.46
300mm	TUEHB300/45PG	TUEHB300/45HG	TUEHB300/45SS	2.07
450mm	TUEHB450/45PG	TUEHB450/45HG	TUEHB450/45SS	2.90
600mm	TUEHB600/45PG	TUEHB600/45HG	TUEHB600/45SS	3.00
750mm	TUEHB750/45PG	TUEHB750/45HG	TUEHB750/45SS	-
900mm	TUEHB900/45PG	TUEHB900/45HG	TUEHB900/45SS	10.4

Heavy Duty 45° Flat Bend (50mm)

Size (W)	Part No.			Weight kg
	PG	HG	SS	
75mm	TUHB075/45PG	TUHB075/45HG	TUHB075/45SS	0.24
100mm	TUHB100/45PG	TUHB100/45HG	TUHB100/45SS	0.30
150mm	TUHB150/45PG	TUHB150/45HG	TUHB150/45SS	0.43
225mm	TUHB225/45PG	TUHB225/45HG	TUHB225/45SS	0.64
300mm	TUHB300/45PG	TUHB300/45HG	TUHB300/45SS	1.32
450mm	TUHB450/45PG	TUHB450/45HG	TUHB450/45SS	2.18
600mm	TUHB600/45PG	TUHB600/45HG	TUHB600/45SS	3.22
750mm	TUHB750/45PG	TUHB750/45HG	TUHB750/45SS	7.22
900mm	TUHB900/45PG	TUHB900/45HG	TUHB900/45SS	9.55

Extra Extra Heavy Duty 45° Flat Bend (150mm)

Size (W)	Part No.			Weight kg
	PG	HG	SS	
75mm	TUXHB075/45PG	TUXHB075/45HG	TUXHB075/45SS	0.48
100mm	TUXHB100/45PG	TUXHB100/45HG	TUXHB100/45SS	1.00
150mm	TUXHB150/45PG	TUXHB150/45HG	TUXHB150/45SS	1.20
225mm	TUXHB225/45PG	TUXHB225/45HG	TUXHB225/45SS	1.40
300mm	TUXHB300/45PG	TUXHB300/45HG	TUXHB300/45SS	2.10
450mm	TUXHB450/45PG	TUXHB450/45HG	TUXHB450/45SS	2.80
600mm	TUXHB600/45PG	TUXHB600/45HG	TUXHB600/45SS	3.50
750mm	TUXHB750/45PG	TUXHB750/45HG	TUXHB750/45SS	-
900mm	TUXHB900/45PG	TUXHB900/45HG	TUXHB900/45SS	-

Adjustable Bends are available upon request. Contact our team for further information.

90° Bends

Atkore Unistrut Flat Bends



Sold as
Individual

Product image may vary dependant on duty of fitting, finish and size.

Light Duty 90° Flat Bend (17mm)

Size (W)	Part No.			Weight kg
	PG	HG	SS	
50mm	TULB050/90PG	TULB050/90HG	TULB050/90SS	0.07
75mm	TULB075/90PG	TULB075/90HG	TULB075/90SS	0.12
100mm	TULB100/90PG	TULB100/90HG	TULB100/90SS	0.19
150mm	TULB150/90PG	TULB150/90HG	TULB150/90SS	0.33
225mm	TULB225/90PG	TULB225/90HG	TULB225/90SS	0.58
300mm	TULB300/90PG	TULB300/90HG	TULB300/90SS	1.34
450mm	TULB450/90PG	TULB450/90HG	TULB450/90SS	3.07
600mm	TULB600/90PG	TULB600/90HG	TULB600/90SS	5.13
750mm	TULB750/90PG	TULB750/90HG	TULB750/90SS	7.7
900mm	TULB900/90PG	TULB900/90HG	TULB900/90SS	10.79

Extra Heavy Duty 90° Flat Bend (100mm)

Size (W)	Part No.			Weight kg
	PG	HG	SS	
75mm	TUEHB075/90PG	TUEHB075/90HG	TUEHB075/90SS	0.51
100mm	TUEHB100/90PG	TUEHB100/90HG	TUEHB100/90SS	0.68
150mm	TUEHB150/90PG	TUEHB150/90HG	TUEHB150/90SS	0.79
225mm	TUEHB225/90PG	TUEHB225/90HG	TUEHB225/90SS	2.37
300mm	TUEHB300/90PG	TUEHB300/90HG	TUEHB300/90SS	2.10
450mm	TUEHB450/90PG	TUEHB450/90HG	TUEHB450/90SS	3.35
600mm	TUEHB600/90PG	TUEHB600/90HG	TUEHB600/90SS	4.89
750mm	TUEHB750/90PG	TUEHB750/90HG	TUEHB750/90SS	6.71
900mm	TUEHB900/90PG	TUEHB900/90HG	TUEHB900/90SS	13.7

Medium Duty 90° Flat Bend (25mm)

Size (W)	Part No.			Weight kg
	PG	HG	SS	
50mm	TUMB050/90PG	TUMB050/90HG	TUMB050/90SS	0.41
75mm	TUMB075/90PG	TUMB075/90HG	TUMB075/90SS	0.51
100mm	TUMB100/90PG	TUMB100/90HG	TUMB100/90SS	0.63
150mm	TUMB150/90PG	TUMB150/90HG	TUMB150/90SS	0.92
225mm	TUMB225/90PG	TUMB225/90HG	TUMB225/90SS	1.38
300mm	TUMB300/90PG	TUMB300/90HG	TUMB300/90SS	2.02
450mm	TUMB450/90PG	TUMB450/90HG	TUMB450/90SS	3.35
600mm	TUMB600/90PG	TUMB600/90HG	TUMB600/90SS	4.93
750mm	TUMB750/90PG	TUMB750/90HG	TUMB750/90SS	12.20
900mm	TUMB900/90PG	TUMB900/90HG	TUMB900/90SS	18.65

Extra Extra Heavy Duty 90° Flat Bend (150mm)

Size (W)	Part No.			Weight kg
	PG	HG	SS	
75mm	TUXHB075/90PG	TUXHB075/90HG	TUXHB075/90SS	-
100mm	TUXHB100/90PG	TUXHB100/90HG	TUXHB100/90SS	-
150mm	TUXHB150/90PG	TUXHB150/90HG	TUXHB150/90SS	1.20
225mm	TUXHB225/90PG	TUXHB225/90HG	TUXHB225/90SS	1.76
300mm	TUXHB300/90PG	TUXHB300/90HG	TUXHB300/90SS	2.30
450mm	TUXHB450/90PG	TUXHB450/90HG	TUXHB450/90SS	3.86
600mm	TUXHB600/90PG	TUXHB600/90HG	TUXHB600/90SS	5.48
750mm	TUXHB750/90PG	TUXHB750/90HG	TUXHB750/90SS	-
900mm	TUXHB900/90PG	TUXHB900/90HG	TUXHB900/90SS	-

Heavy Duty 90° Flat Bend (50mm)

Size (W)	Part No.			Weight kg
	PG	HG	SS	
75mm	TUHB075/90PG	TUHB075/90HG	TUHB075/90SS	0.39
100mm	TUHB100/90PG	TUHB100/90HG	TUHB100/90SS	0.48
150mm	TUHB150/90PG	TUHB150/90HG	TUHB150/90SS	0.68
225mm	TUHB225/90PG	TUHB225/90HG	TUHB225/90SS	1.5
300mm	TUHB300/90PG	TUHB300/90HG	TUHB300/90SS	2.09
450mm	TUHB450/90PG	TUHB450/90HG	TUHB450/90SS	3.53
600mm	TUHB600/90PG	TUHB600/90HG	TUHB600/90SS	5.31
750mm	TUHB750/90PG	TUHB750/90HG	TUHB750/90SS	11.1
900mm	TUHB900/90PG	TUHB900/90HG	TUHB900/90SS	14.69

Equal Cross

Atkore Unistrut Equal Crosses

Light Duty Equal Cross (17mm)

Size (W)	Part No.			Weight kg
	PG	HG	SS	
50mm	TULX050PG	TULX050HG	TULX050SS	0.17
75mm	TULX075PG	TULX075HG	TULX075SS	0.26
100mm	TULX100PG	TULX100HG	TULX100SS	0.36
150mm	TULX150PG	TULX150HG	TULX150SS	0.62
225mm	TULX225PG	TULX225HG	TULX225SS	1.05
300mm	TULX300PG	TULX300HG	TULX300SS	2.23
450mm	TULX450PG	TULX450HG	TULX450SS	4.16
600mm	TULX600PG	TULX600HG	TULX600SS	6.75
750mm	TULX750PG	TULX750HG	TULX750SS	9.95
900mm	TULX900PG	TULX900HG	TULX900SS	13.77



Sold as Individual

Unequal Crosses are available upon request

Product image may vary dependant on duty of fitting, finish and size.

Medium Duty Equal Cross (25mm)

Size (W)	Part No.			Weight kg
	PG	HG	SS	
50mm	TUMX050PG	TUMX050HG	TUMX050SS	0.64
75mm	TUMX075PG	TUMX075HG	TUMX075SS	0.68
100mm	TUMX100PG	TUMX100HG	TUMX100SS	0.81
150mm	TUMX150PG	TUMX150HG	TUMX150SS	1.15
225mm	TUMX225PG	TUMX225HG	TUMX225SS	1.70
300mm	TUMX300PG	TUMX300HG	TUMX300SS	3.28
450mm	TUMX450PG	TUMX450HG	TUMX450SS	5.47
600mm	TUMX600PG	TUMX600HG	TUMX600SS	8.14
750mm	TUMX750PG	TUMX750HG	TUMX750SS	13.38
900mm	TUMX900PG	TUMX900HG	TUMX900SS	17.45

Extra Heavy Duty Equal Cross (100mm)

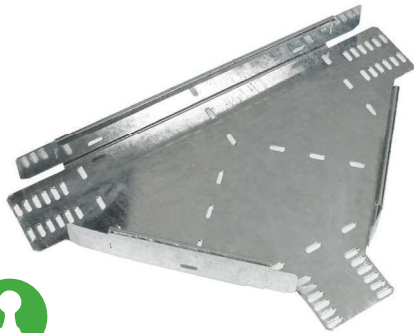
Size (W)	Part No.			Weight kg
	PG	HG	SS	
100mm	TUEHX100PG	TUEHX100HG	TUEHX100SS	1.56
150mm	TUEHX150PG	TUEHX150HG	TUEHX150SS	1.92
225mm	TUEHX225PG	TUEHX225HG	TUEHX225SS	2.40
300mm	TUEHX300PG	TUEHX300HG	TUEHX300SS	3.30
450mm	TUEHX450PG	TUEHX450HG	TUEHX450SS	6.50
600mm	TUEHX600PG	TUEHX600HG	TUEHX600SS	-
750mm	TUEHX750PG	TUEHX750HG	TUEHX750SS	-
900mm	TUEHX900PG	TUEHX900HG	TUEHX900SS	18.15

Heavy Duty Equal Cross (50mm)

Size (W)	Part No.			Weight kg
	PG	HG	SS	
75mm	TUHX075PG	TUHX075HG	TUHX075SS	0.83
100mm	TUHX100PG	TUHX100HG	TUHX100SS	0.96
150mm	TUHX150PG	TUHX150HG	TUHX150SS	1.30
225mm	TUHX225PG	TUHX225HG	TUHX225SS	2.01
300mm	TUHX300PG	TUHX300HG	TUHX300SS	3.45
450mm	TUHX450PG	TUHX450HG	TUHX450SS	5.64
600mm	TUHX600PG	TUHX600HG	TUHX600SS	8.31
750mm	TUHX750PG	TUHX750HG	TUHX750SS	13.65
900mm	TUHX900PG	TUHX900HG	TUHX900SS	17.64

Equal Tee

Atkore Unistrut Equal Tees



Sold as Individual

Unequal Crosses are available upon request

Product image may vary dependant on duty of fitting, finish and size.

Light Duty Equal Tee (17mm)

Size (W)	Part No.			Weight kg
	PG	HG	SS	
50mm	TULT050PG	TULT050HG	TULT050SS	0.12
75mm	TULT075PG	TULT075HG	TULT075SS	0.2
100mm	TULT100PG	TULT100HG	TULT100SS	0.29
150mm	TULT150PG	TULT150HG	TULT150SS	0.49
225mm	TULT225PG	TULT225HG	TULT225SS	0.87
300mm	TULT300PG	TULT300HG	TULT300SS	1.94
450mm	TULT450PG	TULT450HG	TULT450SS	3.91
600mm	TULT600PG	TULT600HG	TULT600SS	6.42
750mm	TULT750PG	TULT750HG	TULT750SS	9.56
900mm	TULT900PG	TULT900HG	TULT900SS	13.31

Extra Heavy Duty Equal Tee (100mm)

Size (W)	Part No.			Weight kg
	PG	HG	SS	
75mm	TUEHT075PG	TUEHT075HG	TUEHT075SS	-
100mm	TUEHT100PG	TUEHT100HG	TUEHT100SS	1.78
150mm	TUEHT150PG	TUEHT150HG	TUEHT150SS	-
225mm	TUEHT225PG	TUEHT225HG	TUEHT225SS	2.96
300mm	TUEHT300PG	TUEHT300HG	TUEHT300SS	3.80
450mm	TUEHT450PG	TUEHT450HG	TUEHT450SS	4.60
600mm	TUEHT600PG	TUEHT600HG	TUEHT600SS	7.70
750mm	TUEHT750PG	TUEHT750HG	TUEHT750SS	-
900mm	TUEHT900PG	TUEHT900HG	TUEHT900SS	19.2

Medium Duty Equal Tee (25mm)

Size (W)	Part No.			Weight kg
	PG	HG	SS	
50mm	TUMT050PG	TUMT050HG	TUMT050SS	0.41
75mm	TUMT075PG	TUMT075HG	TUMT075SS	0.51
100mm	TUMT100PG	TUMT100HG	TUMT100SS	0.63
150mm	TUMT150PG	TUMT150HG	TUMT150SS	0.92
225mm	TUMT225PG	TUMT225HG	TUMT225SS	1.38
300mm	TUMT300PG	TUMT300HG	TUMT300SS	2.02
450mm	TUMT450PG	TUMT450HG	TUMT450SS	3.35
600mm	TUMT600PG	TUMT600HG	TUMT600SS	4.93
750mm	TUMT750PG	TUMT750HG	TUMT750SS	12.20
900mm	TUMT900PG	TUMT900HG	TUMT900SS	18.65

Extra Extra Heavy Duty Equal Tee (150mm)

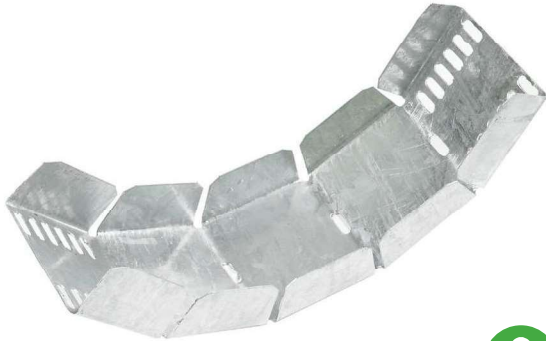
Size (W)	Part No.			Weight kg
	PG	HG	SS	
75mm	TUXHT075PG	TUXHT075HG	TUXHT075SS	-
100mm	TUXHT100PG	TUXHT100HG	TUXHT100SS	-
150mm	TUXHT150PG	TUXHT150HG	TUXHT150SS	-
225mm	TUXHT225PG	TUXHT225HG	TUXHT225SS	2.50
300mm	TUXHT300PG	TUXHT300HG	TUXHT300SS	3.10
450mm	TUXHT450PG	TUXHT450HG	TUXHT450SS	4.70
600mm	TUXHT600PG	TUXHT600HG	TUXHT600SS	7.30
750mm	TUXHT750PG	TUXHT750HG	TUXHT750SS	-
900mm	TUXHT900PG	TUXHT900HG	TUXHT900SS	-

Heavy Duty Equal Tee (50mm)

Size (W)	Part No.			Weight kg
	PG	HG	SS	
75mm	TUHT075PG	TUHT075HG	TUHT075SS	0.83
100mm	TUHT100PG	TUHT100HG	TUHT100SS	0.96
150mm	TUHT150PG	TUHT150HG	TUHT150SS	1.30
225mm	TUHT225PG	TUHT225HG	TUHT225SS	2.01
300mm	TUHT300PG	TUHT300HG	TUHT300SS	3.45
450mm	TUHT450PG	TUHT450HG	TUHT450SS	5.64
600mm	TUHT600PG	TUHT600HG	TUHT600SS	8.31
750mm	TUHT750PG	TUHT750HG	TUHT750SS	13.65
900mm	TUHT900PG	TUHT900HG	TUHT900SS	17.64

Adjustable Risers

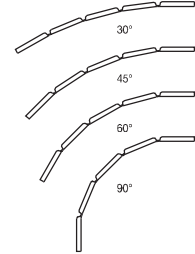
Atkore Unistrut Risers



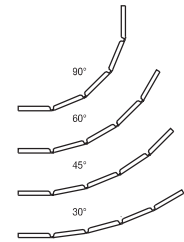
Sold as Individual

Product image may vary dependant on duty of fitting, finish and size.

Used as outside riser:



Used as inside riser:



Adjustable Risers (Light & Medium)

Size (W)	Part No.			Weight
	PG	HG	SS	
50mm	TUMAR050PG	TUMAR050HG	TUMAR050SS	0.18
75mm	TUMAR075PG	TUMAR075HG	TUMAR075SS	0.24
100mm	TUMAR100PG	TUMAR100HG	TUMAR100SS	0.31
150mm	TUMAR150PG	TUMAR150HG	TUMAR150SS	0.43
225mm	TUMAR225PG	TUMAR225HG	TUMAR225SS	0.63
300mm	TUMAR300PG	TUMAR300HG	TUMAR300SS	0.81
450mm	TUMAR450PG	TUMAR450HG	TUMAR450SS	1.20
600mm	TUMAR600PG	TUMAR600HG	TUMAR600SS	2.47
750mm	TUMAR750PG	TUMAR750HG	TUMAR750SS	3.19
900mm	TUMAR900PG	TUMAR900HG	TUMAR900SS	4.01

Compatible with both Light and Medium cable trays

Adjustable Risers (Heavy)

Size (W)	Part No.			Weight
	PG	HG	SS	
75mm	TUHAR075PG	TUHAR075HG	TUHAR075SS	0.34
100mm	TUHAR100PG	TUHAR100HG	TUHAR100SS	0.40
150mm	TUHAR150PG	TUHAR150HG	TUHAR150SS	0.53
225mm	TUHAR225PG	TUHAR225HG	TUHAR225SS	0.72
300mm	TUHAR300PG	TUHAR300HG	TUHAR300SS	0.90
450mm	TUHAR450PG	TUHAR450HG	TUHAR450SS	1.29
600mm	TUHAR600PG	TUHAR600HG	TUHAR600SS	1.68
750mm	TUHAR750PG	TUHAR750HG	TUHAR750SS	3.34
900mm	TUHAR900PG	TUHAR900HG	TUHAR900SS	4.16

Fixed Risers

Atkore Unistrut Risers

Fixed Inside Riser (IR)



Fixed Outside Riser (OR)



Fixed Risers (Heavy)

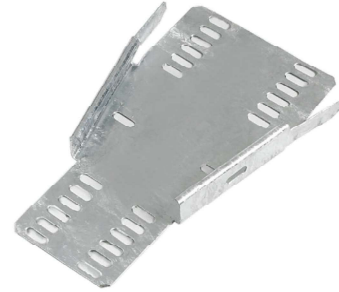
Size (W)	Part Code (Inside)	Part Code (Outside)	Weight
	HG	HG	kg
75mm	TUHIR075HG	TUHOR075HG	0.41
100mm	TUHIR100HG	TUHOR100HG	0.48
150mm	TUHIR150HG	TUHOR150HG	0.64
225mm	TUHIR225HG	TUHOR225HG	0.86
300mm	TUHIR300HG	TUHOR300HG	1.08
450mm	TUHIR450HG	TUHOR450HG	1.29
600mm	TUHIR600HG	TUHOR600HG	1.68
750mm	TUHIR750HG	TUHOR750HG	2.02
900mm	TUHAR900HG	X	4.99

Atkore Unistrut Reducers

Product image may vary dependent on duty of fitting, finish and size.



Sold as Individual



Cable Tray

Light Cable Tray Reducer

Width	50mm	75mm	100mm	150mm	225mm	300mm	450mm	600mm	750mm	900mm
50mm		TULSR075/050	TULSR150/050	TULSR150/050						
75mm	TULSR075/050		TULSR100/075	TULSR150/075	TULSR225/075					
100mm	TULSR100/050	TULSR100/075		TULSR150/100	TULSR225/100	TULSR300/100	TULSR450/100			
150mm	TULSR150/050	TULSR150/075	TULSR150/100		TULSR225/150	TULSR300/150	TULSR450/150	TULSR600/150		
225mm		TULSR225/075	TULSR225/100	TULSR225/150		TULSR300/225	TULSR450/225	TULSR600/225	TULSR750/225	
300mm			TULSR300/100	TULSR300/150	TULSR300/225		TULSR450/300	TULSR600/300	TULSR750/300	TULSR900/300
450mm			TULSR450/100	TULSR450/150	TULSR450/225	TULSR450/300		TULSR600/450	TULSR750/450	TULSR900/450
600mm				TULSR600/150	TULSR600/225	TULSR600/300	TULSR600/450		TULSR750/600	TULSR900/600
750mm					TULSR750/225	TULSR750/300	TULSR750/450	TULSR750/600		TULSR900/750
900mm						TULSR900/300	TULSR900/450	TULSR900/600	TULSR900/750	

Medium Cable Tray Reducer

Width	50mm	75mm	100mm	150mm	225mm	300mm	450mm	600mm	750mm	900mm
50mm		TUMSR075/050	TUMSR150/050	TUMSR150/050						
75mm	TUMSR075/050		TUMSR100/075	TUMSR150/075	TUMSR225/075					
100mm	TUMSR100/050	TUMSR100/075		TUMSR150/100	TUMSR225/100	TUMSR300/100	TUMSR450/100			
150mm	TUMSR150/050	TUMSR150/075	TUMSR150/100		TUMSR225/150	TUMSR300/150	TUMSR450/150	TUMSR600/150		
225mm		TUMSR225/075	TUMSR225/100	TUMSR225/150		TUMSR300/225	TUMSR450/225	TUMSR600/225	TUMSR750/225	
300mm			TUMSR300/100	TUMSR300/150	TUMSR300/225		TUMSR450/300	TUMSR600/300	TUMSR750/300	TUMSR900/300
450mm			TUMSR450/100	TUMSR450/150	TUMSR450/225	TUMSR450/300		TUMSR600/450	TUMSR750/450	TUMSR900/450
600mm				TUMSR600/150	TUMSR600/225	TUMSR600/300	TUMSR600/450		TUMSR750/600	TUMSR900/600
750mm					TUMSR750/225	TUMSR750/300	TUMSR750/450	TUMSR750/600		TUMSR900/750
900mm						TUMSR900/300	TUMSR900/450	TUMSR900/600	TUMSR900/750	

Heavy Cable Tray Reducer

Width	50mm	75mm	100mm	150mm	225mm	300mm	450mm	600mm	750mm	900mm
50mm		TUHSR075/050	TUHSR150/050	TUHSR150/050						
75mm	TUHSR075/050		TUHSR100/075	TUHSR150/075	TUHSR225/075					
100mm	TUHSR100/050	TUHSR100/075		TUHSR150/100	TUHSR225/100	TUHSR300/100	TUHSR450/100			
150mm	TUHSR150/050	TUHSR150/075	TUHSR150/100		TUHSR225/150	TUHSR300/150	TUHSR450/150	TUHSR600/150		
225mm		TUHSR225/075	TUHSR225/100	TUHSR225/150		TUHSR300/225	TUHSR450/225	TUHSR600/225	TUHSR750/225	
300mm			TUHSR300/100	TUHSR300/150	TUHSR300/225		TUHSR450/300	TUHSR600/300	TUHSR750/300	TUHSR900/300
450mm			TUHSR450/100	TUHSR450/150	TUHSR450/225	TUHSR450/300		TUHSR600/450	TUHSR750/450	TUHSR900/450
600mm				TUHSR600/150	TUHSR600/225	TUHSR600/300	TUHSR600/450		TUHSR750/600	TUHSR900/600
750mm					TUHSR750/225	TUHSR750/300	TUHSR750/450	TUHSR750/600		TUHSR900/750
900mm						TUHSR900/300	TUHSR900/450	TUHSR900/600	TUHSR900/750	

Example: A 600mm Wide to 300mm Wide Cable Tray Reducer in Hot Galvanised Finish would be TULSR600/300HG

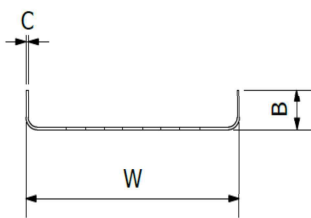
Sizes, Angles & Codes

Atkore Unistrut Part Code Guide

Atkore Unistrut fittings come in a wide variety of widths, radii and angles (where appropriate). Many of these are standard factory items and the rest are available upon request.

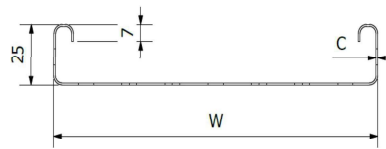
Unless specified, figures are in millimetres (mm)

Light Duty

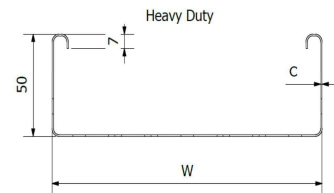


DIM B
12mm (W=50-225mm)
18mm (W=800-900mm)

Medium Duty



Heavy Duty



Angles (D) - Fittings Only

Code	Width
050	50mm
075	75mm
100	100mm
150	150mm
225	225mm
300	300mm
450	450mm
600	600mm
750	750mm
900	900mm

Code	Angle
30	30
45	45
60	60
90	90

Thickness (C) - Fittings Only

Code	Thickness
0.80	0.80mm
1.20	1.20mm
2.00	2.00mm

Cable Tray Accessories

The complete range of Cable Tray
from Atkore Unistrut



Couplers & Splices

Atkore Unistrut Couplers & Splices

Fish Plate (For Light Duty Cable Tray)

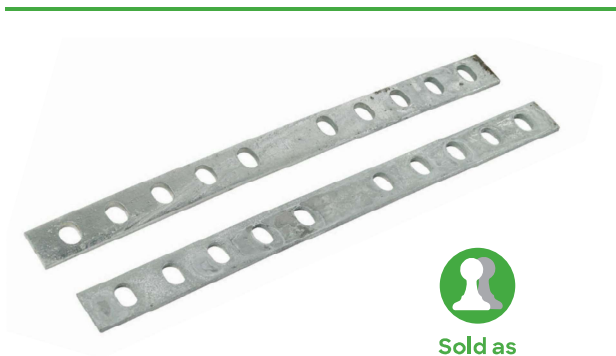


Sold as Individual

Size (W)	Part No.		
	PG	HG	SS
mm			
45	TULFP050PG	TULFP050HG	TULFP050SS
70	TULFP075PG	TULFP075HG	TULFP075SS
100	TULFP100PG	TULFP100HG	TULFP100SS
150	TULFP150PG	TULFP150HG	TULFP150SS
225	TULFP225PG	TULFP225HG	TULFP225SS
300	TULFP300PG	TULFP300HG	TULFP300SS
450	TULFP450PG	TULFP450HG	TULFP450SS
600	TULFP600PG	TULFP600HG	TULFP600SS
750	TULFP750PG	TULFP750HG	TULFP750SS
900	TULFP900PG	TULFP900HG	TULFP900SS

Straight Splice

Wrap Over Splice



Sold as Pair



Sold as Pair

For Medium or Heavy Duty Cable Tray

Type	Finish		
	PG	HG	SS
Medium	TUM/SCPG	TUM/SCHG	TUMSC/SS
Heavy	TUH/SCPG	TUH/SCHG	TUHSC/SS
Extra Heavy	TUEH/SCPG	TUEH/SCHG	TUEHSC/SS
Extra Extra Heavy	TUXH/SCPG	TUXH/SCHG	TUXHSC/SS

For Medium or Heavy Duty Cable Tray

Type	Finish		
	PG	HG	SS
Medium	TUM/WCPG	TUM/WCHG	TUM/WCSS
Heavy	TUH/WCPG	TUH/WCHG	TUH/WCSS
Extra Heavy	TUEH/WCPG	TUEH/WCHG	TUEH/WCSS
Extra Extra Heavy	TUXH/WCPG	TUXH/WCHG	TUXH/WCSS

Atkore Unistrut Cable Tray Covers

Size (W)				Length
mm	HG	SS	PG	
50	TUHL050/HG	TUHL050/SS	TUHL050/PG	3m
75	TUHL075/HG	TUHL075/SS	TUHL075/PG	3m
100	TUHL100/HG	TUHL100/SS	TUHL100/PG	3m
150	TUHL150/HG	TUHL150/SS	TUHL150/PG	3m
225	TUHL225/HG	TUHL225/SS	TUHL225/PG	3m
300	TUHL300/HG	TUHL300/SS	TUHL300/PG	3m
450	TUHL450/HG	TUHL450/SS	TUHL450/PG	1.5m
600	TUHL600/HG	TUHL600/SS	TUHL600/PG	1.5m
750	TUHL750/HG	TUHL750/SS	TUHL750/PG	1.5m
900	TUHL900/HG	TUHL900/SS	TUHL900/PG	1.5m



Sold as Individual

A cover for every fitting

Atkore Unistrut have custom fit covers for the entire range of lengths and fittings and can provide custom sizes if required for unique jobs. These are available upon demand.



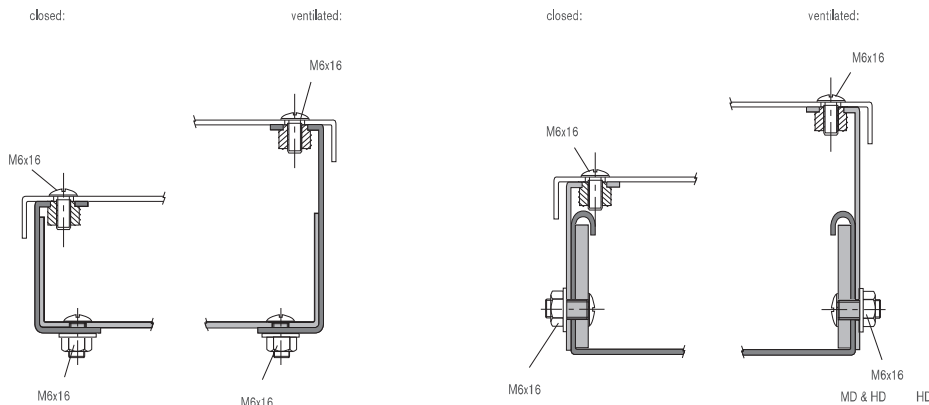
Ventilated Cover Clips

In addition to covers Atkore Unistrut also supply separately, the ventilated fitting equipment as detailed :

Part No.	Type	Duty	Finish
			Stainless Steel or Hot Galvanised
TUCM/VC	Ventilated	Medium	SS or HG
TUCM/CC	Closed	Medium	SS or HG
TUCH/VC	Ventilated	Heavy	SS or HG
TUCH/CC	Closed	Heavy	SS or HG

1.5m cover requires
4 cover clips

3m cover requires
6 cover clips



Cable Tray L



Cable Tray M & Cable Tray H



Other Accessories

Atkore Unistrut Cable Tray Accessories

Dividers



Sold as Individual

Earth Continuity Connector



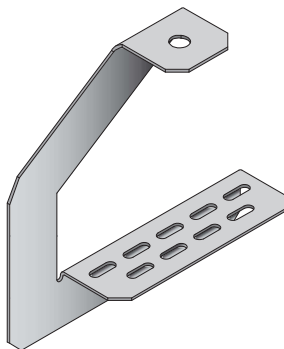
Sold as Individual

Duty	Finish		
	PG	HG	SS
Medium	TUM/SDPG	TUMSD/HG	TUMSD/SS
Heavy	TUH/SDPG	TUHSD/HG	TUHSD/SS

Size (L)	Part No.	Weight
100mm	EB100	0.87



Overhead Cantilever Bracket



Sold as Individual

Stand off Brackets



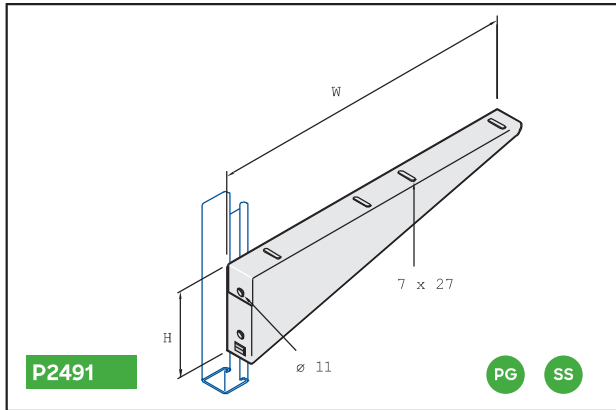
Sold as Individual

Part no.	Qty	Finish
OCBL050	1	PG
OCBL075	1	PG
OCBL100	1	PG
OCBL150	1	PG
OCBL225	1	PG
OCBL300	1	PG

Part no.	Qty	Finish
TUTSB050PG	1	PG
TUTSB075PG	1	PG
TUTSB100PG	1	PG
TUTSB150PG	1	PG
TUTSB225PG	1	PG
TUTSB300PG	1	PG

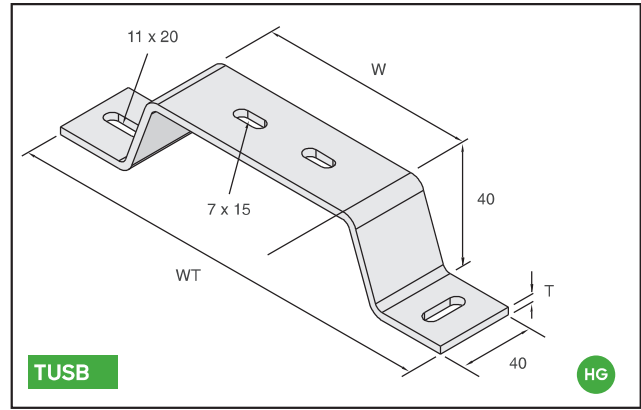
Atkore Unistrut Cable Tray Brackets

Traying Arms



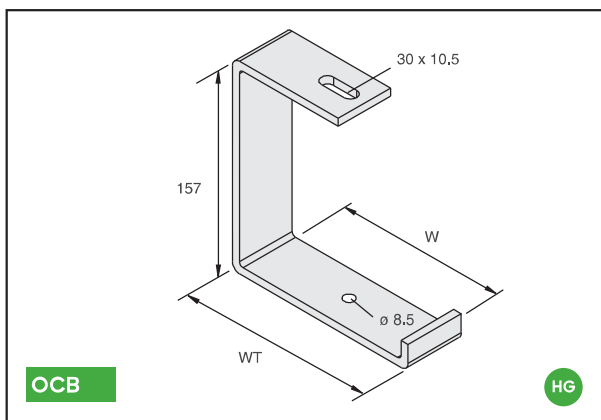
Part No.	Finishes		W mm	H mm	Fmax Kn	W	E
	PG	SS					
P2491/100	•	•	105	63	1.6	0.20	1
P2491/150	•	•	155	63	1.6	0.28	1
P2491/225	•	•	230	75	1.5	0.42	1
P2491/300	•	•	305	87	1.4	0.60	1
P2491/450	•	•	455	125	1.1	1.07	1
P2491/600	•	•	605	164	1.0	1.63	1

Heavy Duty Tray Stand Off Bracket



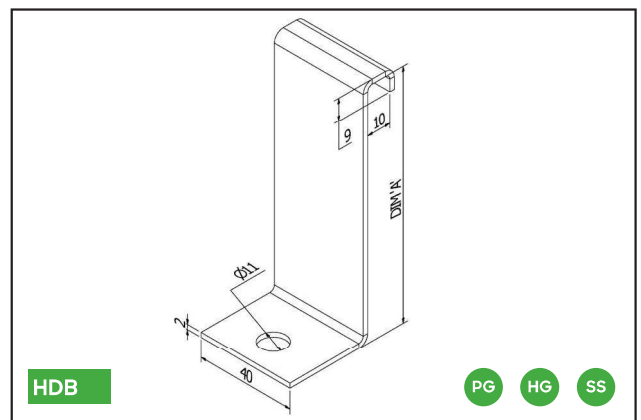
Part No.	Finishes HG	W mm	WT mm	T mm	W	E
TUSB075	•	75	179	3	0.20	1
TUSB100	•	100	204	3	0.23	1
TUSB150	•	150	254	3	0.28	1
TUSB225	•	225	329	5	0.56	1
TUSB300	•	300	404	5	0.68	1
TUSB450	•	450	554	5	0.91	1
TUSB600	•	600	704	5	1.15	1

G-Type Hanging Bracket



Part No.	Finishes HG	W mm	WT mm	W	E
OCB100	•	105	117	0.73	1
OCB150	•	155	167	0.89	1
OCB225	•	230	242	1.14	1
OCB300	•	305	317	1.38	1

Hold Down Bracket



Part No.	Finishes			W mm	H mm	W	E
	HG	PG	SS				
TUEH/HDB	•			40	100.5	0.09	1
TUEH/HDB		•		40	100.5	0.09	1
TUEH/HDB			•	40	100.5	0.11	1
TUH/HDB	•			40	50.5	0.06	1
TUH/HDB		•		40	50.5	0.06	1
TUH/HDB			•	40	50.5	0.07	1
TUM/HDB	•			40	25.5	0.05	1
TUM/HDB		•		40	25.5	0.05	1
TUM/HDB			•	40	25.5	0.06	1

Stated loadings apply to mild steel products only.

Cable Trays - Information

Atkore Unistrut Cable Tray Information

Materials and Finishes

Pre-Galvanised [PG]

Cable Trays, brackets and fittings can be Pre-Galvanised. Pre-Galvanising is to BS EN 10346 2009 (Coating Z275).

Hot-Dip Galvanised [HG]

Cable Trays, brackets, cantilever arms and fittings can be Hot-Dip Galvanised in accordance with BS EN ISO1461:2009 and chromate passivated.

The minimum average Zinc Coating is as follows:

- Cold rolled from 1.5mm Steel – 55 microns
- Fittings spun galvanised – 45 microns

Stainless Steel [SS]

- Stainless Steel 1.4301 (304)
- Stainless Steel 1.4404 (316L)
- Cleaned (Pickled & Passivated)

Applying a pickling process to stainless steel results in a clean product and it also removes any heat discoloration that has occurred in the welding process.

SPECIAL COATINGS AND MATERIAL GRADES ARE AVAILABLE ON REQUEST

Certification and Quality Standards

- ISO 9001 - Quality system certification
- ISO 14001 - Environment certification
- ISO45001 - Health and safety certification



Useful Cross Section - Unistrut Tray

Light Duty (L)

Width	Useful cross section
mm	(cm ²)
50	5.4
75	8.1
100	10.9
150	16.6
225	24.9
300	49.9
450	75.1
600	95.3
750	119.3
900	143.3

Medium Duty (M-25)

Width	Useful cross section
mm	(cm ²)
50	11.4
75	17.4
100	23.5
150	35.6
225	53.7
300	70.4
450	106.1
600	141.8
750	171.1
900	205.6

Heavy Duty (H-50)

Width	Useful cross section
mm	(cm ²)
75	35.8
100	48.1
150	72.7
225	108.2
300	144.8
450	213.6
600	285.6
750	357.6
900	429.6

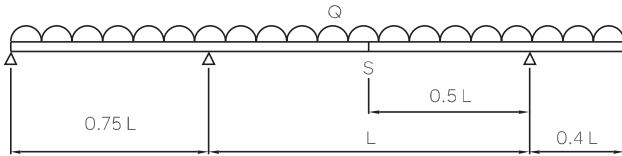
Stated loadings apply to mild steel products only.

Pickle & Passivate is available upon request

Loading Data

Atkore Unistrut Cable Tray Brackets

Loading Data



Load test according to CEI/IEC 61537:2001

Q = UDL (uniformly distributed load)

Safety Factor = 1.7

L = intermediate span

F = deflection = 1/100 of the intermediate span (max.)

S = splice location

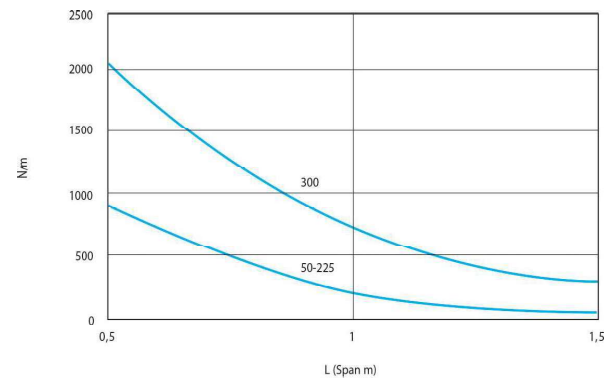
Atkore Unistrut's load testing is in accordance with CEI/IEC 61537:2001. In practical terms this covers continuous/multi span installations, evenly loaded along the length of, and across the full width of the tray. The end spans in these installations should be reduced to 0.75 of the intermediate spans.

Deflection: Atkore Unistrut's load and deflection figures are in accordance with CEI/IEC 61537:2001, with the characteristic deflection of Atkore Unistrut Cable Tray limited to span/100 and load figures inclusive of a safety factor of 1.7.

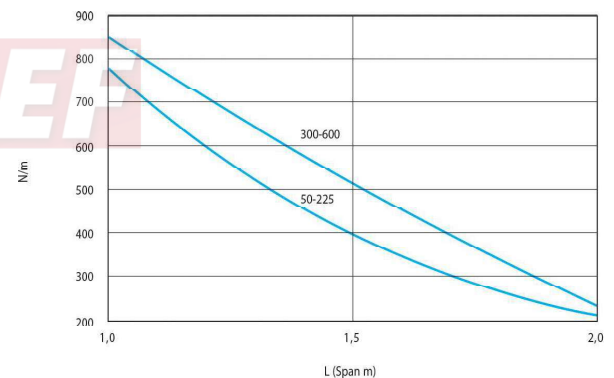
Accessories: To ensure adequate support, accessories should be supported locally.

Couplers: The loading and deflection tables for Atkore Unistrut Cable Tray assume that the couplers are located at the most onerous position within the span (i.e. mid span). To maintain the load/deflection figures stated in the tables, the couplers should not be located in end spans or over support locations. Straight couplers were utilised for the testing of the medium and heavy duty Cable Trays. Only one pair of couplers should be installed per span.

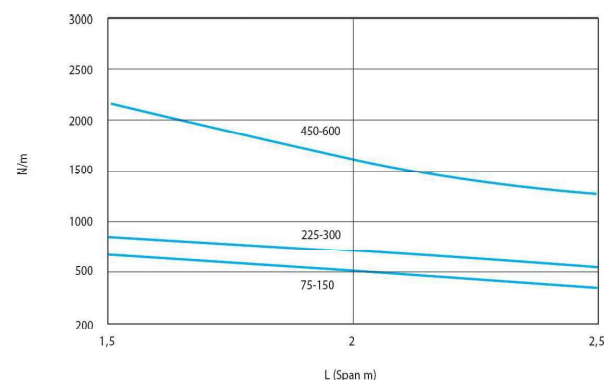
Light Duty Cable Tray



Medium Duty Cable Tray



Heavy Duty Cable Tray





AMEF

Allied Tube & Conduit ▲ AFC Cable Systems ▲ Heritage Plastics ▲ Unistrut
Unistrut Construction ▲ Cope ▲ US Tray ▲ Calbrite ▲ Calbond ▲ Kaf-Tech
Power-Strut ▲ Calconduit ▲ Razor Ribbon ▲ Calpipe Security ▲ Vergokan ▲ Cii
Columbia-MBF ▲ Eastern Wire + Conduit ▲ ACS/Uni-Fab ▲ Sasco Strut ▲ Marco
FRE Composites ▲ Queen City Plastics ▲ Four Star Industries ▲ Flexicon

Atkore Unistrut & Marco
Delta Point,
Greets Green Road
West Bromwich
B70 9PL

PHONE/ +44 (0) 121 580 6300
FAX / +44 (0) 121 580 6370

atkore.com/marco
atkore.com/unistrut

