

Atkore Unistrut & Marco Catalogue



Atkore[™]
Unistrut

Atkore[™]
Marco

Cable Ladder

The complete range of Cable Ladder
from Atkore Unistrut



Cable Ladders

Atkore Unistrut Cable Ladder Solutions

Key Features

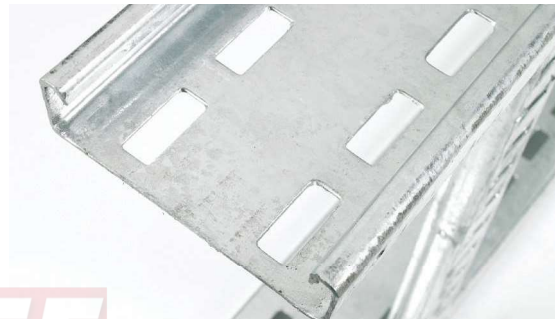
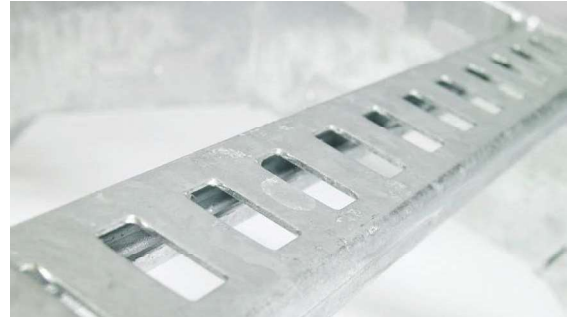
Atkore Unistrut's Cable Ladder systems are renowned around the world for quality and engineering excellence. Wherever severe corrosion conditions are present, or a long maintenance free life is required, Atkore Unistrut's welded steel Cable Ladder systems are the obvious choice. Atkore Unistrut manufactures a complete range of Cable Ladder systems for a wide range of load and span combinations to suit the requirements of almost any installation.

Cable Ladders are selected because of their heavy load carrying capacities and the excellent performance they give in harsh environments where salt spray or salt laden atmosphere, and other mild corrosive materials are present. Applications such as Oil & Gas, Petrochemical, tunnels, port facilities and anything else you can imagine.

Supplied in **medium**, **heavy** and **extra heavy duty** sizes.

Available in standard finishes of [PG] Pre-Galvanised, [HG] Hot-Dip Galvanised and [SS] Stainless Steel, but also Specialist Finishes are available on request.

Engineered to maximise long span runs where support installation is limited.



Tables & Keys

Cable Ladder Tables & Keys Guide

Material Finish (Straights and Fittings)

Finish	Code
Pre-Galvanised	PG
Hot Dipped Galvanised	HG
Stainless Steel	SS



Icon Key - Features



Including Fitments



Sold as Pair



Sold as Individual

Width and Angle Codes

Standard Widths (W)		By Request	Radii (R)		Angles (D)		By Request
Code	Width		Code	Width	Width	Angle	
10	100mm	By Request	30	300mm*	30	30	By Request
15	150mm		45	450mm	45	45	
20	200mm	By Request	60	600mm	60	60	By Request
30	300mm		75	750mm	90	90	
40	400mm	By Request	90	900mm			
45	450mm						
50	500mm	By Request					
60	600mm						
70	700mm	By Request					
75	750mm						
80	800mm	By Request					
90	900mm						
100	1000mm	By Request					

*Standard

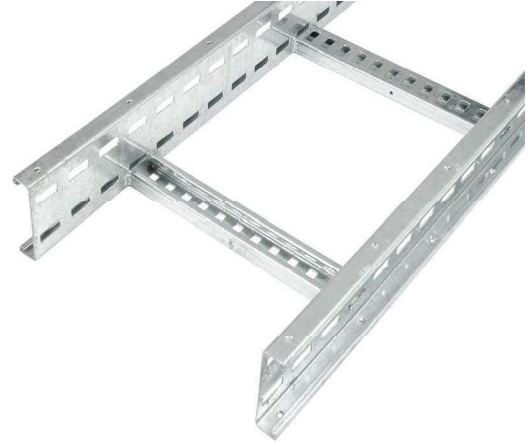
Atkore Unistrut Cable Ladder Solutions

U10 - Medium Duty

Medium Duty 100mm high cable ladder for the tougher application and complete with a wide range of accessories and fixings to suit.

Available in 3 or 6m lengths with widths from 100 to 1200mm, in [HG] Hot-Dip Galvanised and [SS] Stainless Steel finishes.

Typical loading on with a 3m support span of approx 235kg/m.



U12 - Heavy Duty

Heavy Duty 125mm high cable ladder, designed for applications which require a stronger and more rigid solution, complete with a wide range of accessories and fixings to suit.

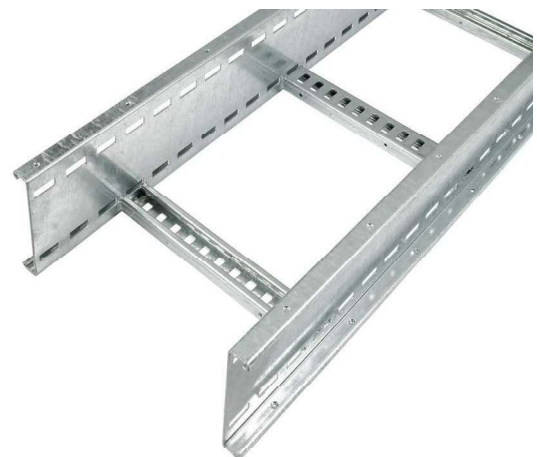
Available in 3 or 6m lengths with widths from 100 to 1200mm, in [HG] Hot-Dip Galvanised and [SS] Stainless Steel finishes.

Typical loading on with a 3m support span of approx 357kg/m.

U15 - Extra Heavy Duty

Extra Heavy Duty 150mm high cable ladder intended for use in applications which require additional strengths and reliability. Complete with a wide range of accessories and fittings, the Extra Heavy Duty Cable Ladder is supplied in 3 or 6m lengths and is available in a number of finishes, including [HG] Hot-Dip Galvanised and [SS] Stainless Steel.

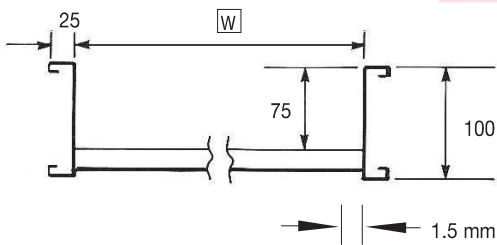
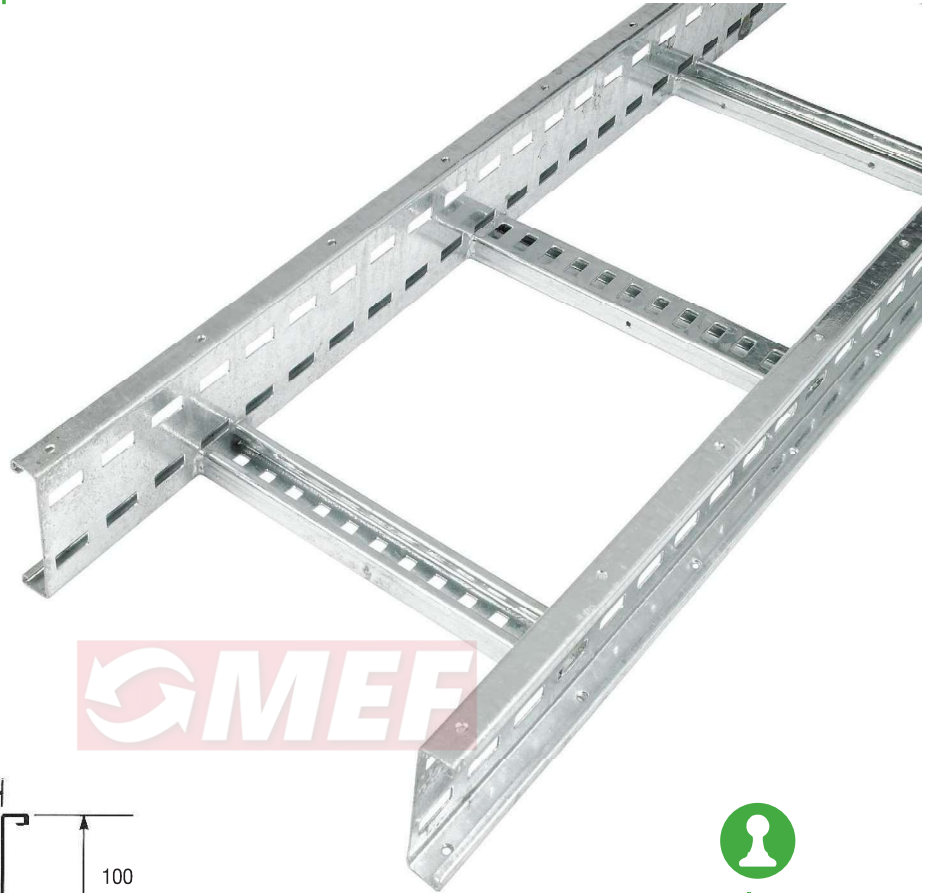
Typical loading on with a 3m support span of approx 449kg/m.



U10 - Medium Duty

Medium Duty Cable Ladder

L3 and L6 Cable Ladder



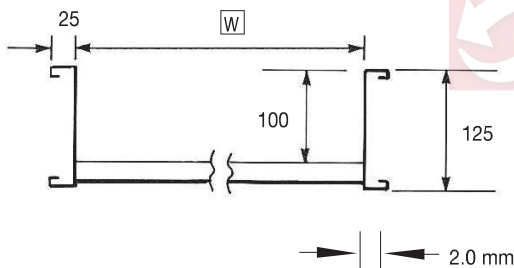

Sold as Individual

Size (W) mm	U10 L3 (3 metre Length)				U10 L6 (6 metre Length)			
	HG	PG	SS	Weight kg	HG	PG	SS	Weight kg
100	U10L3100H	U10L3100PG	U10L3100S	13.2	U10L6100H	U10L6100PG	U10L6100S	26.53
150	U10L3150H	U10L3150PG	U10L3150S	13.8	U10L6150H	U10L6150PG	U10L6150S	27.67
200	U10L3200H	U10L3200PG	U10L3200S	14.4	U10L6200H	U10L6200PG	U10L6200S	28.81
300	U10L3300H	U10L3300PG	U10L3300S	15.55	U10L6300H	U10L6300PG	U10L6300S	31.10
400	U10L3400H	U10L3400PG	U10L3400S	16.69	U10L6400H	U10L6400PG	U10L6400S	33.39
450	U10L3450H	U10L3450PG	U10L3450S	17.27	U10L6450H	U10L6450PG	U10L6450S	34.53
500	U10L3500H	U10L3500PG	U10L3500S	17.84	U10L6500H	U10L6500PG	U10L6500S	35.68
600	U10L3600H	U10L3600PG	U10L3600S	18.98	U10L6600H	U10L6600PG	U10L6600S	37.97
700	U10L3700H	U10L3700PG	U10L3700S	22.13	U10L6700H	U10L6700PG	U10L6700S	44.25
750	U10L3750H	U10L3750PG	U10L3750S	22.84	U10L6750H	U10L6750PG	U10L6750S	45.68
800	U10L3800H	U10L3800PG	U10L3800S	23.55	U10L6800H	U10L6800PG	U10L6800S	47.11
900	U10L3900H	U10L3900PG	U10L3900S	24.98	U10L6900H	U10L6900PG	U10L6900S	49.97
1000	U10L31000H	U10L31000PG	U10L31000S	26.41	U10L61000H	U10L61000PG	U10L61000S	52.83

U12 - Heavy Duty

Heavy Duty Cable Ladder

L3 and L6 Cable Ladder



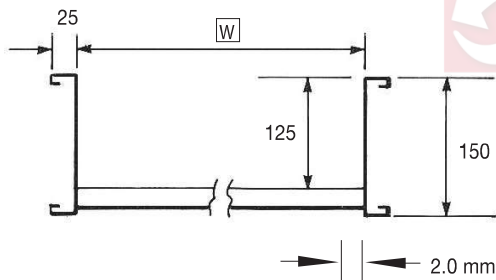
Sold as Individual

Size (W)	U12 L3 (3 metre Length)			Weight	U12 L6 (6 metre Length)			Weight
	Product Code				Product Code			
mm	HG	PG	SS	kg	HG	PG	SS	kg
100	U12L3100H	U12L3100PG	U12L3100S	18.89	U12L6100H	U12L6100PG	U12L6100S	38.22
150	U12L3150H	U12L3150PG	U12L3150S	19.68	U12L6150H	U12L6150PG	U12L6150S	39.37
200	U12L3200H	U12L3200PG	U12L3200S	20.25	U12L6200H	U12L6200PG	U12L6200S	40.51
300	U12L3300H	U12L3300PG	U12L3300S	21.40	U12L6300H	U12L6300PG	U12L6300S	42.80
400	U12L3400H	U12L3400PG	U12L3400S	22.54	U12L6400H	U12L6400PG	U12L6400S	44.54
450	U12L3450H	U12L3450PG	U12L3450S	23.11	U12L6450H	U12L6450PG	U12L6450S	46.23
500	U12L3500H	U12L3500PG	U12L3500S	23.69	U12L6500H	U12L6500PG	U12L6500S	47.38
600	U12L3600H	U12L3600PG	U12L3600S	24.83	U12L6600H	U12L6600PG	U12L6600S	49.66
700	U12L3700H	U12L3700PG	U12L3700S	27.97	U12L6700H	U12L6700PG	U12L6700S	55.95
750	U12L3750H	U12L3750PG	U12L3750S	28.69	U12L6750H	U12L6750PG	U12L6750S	57.28
800	U12L3800H	U12L3800PG	U12L3800S	29.40	U12L6800H	U12L6800PG	U12L6800S	58.81
900	U12L3900H	U12L3900PG	U12L3900S	30.83	U12L6900H	U12L6900PG	U12L6900S	61.67
1000	U12L31000H	U12L31000PG	U12L31000S	32.26	U12L61000H	U12L61000PG	U12L61000S	64.53

U15 - Extra Heavy Duty

Extra Heavy Duty Cable Ladder

L3 and L6 Cable Ladder



Sold as Individual

Size (W) mm	U15 L3 (3 metre Length)				U15 L6 (6 metre Length)			
	HG	PG	SS	Weight kg	HG	PG	SS	Weight kg
100	U15L3100H	U15L3100PG	U15L3100S	21.56	U15L6100H	U15L6100PG	U15L6100S	42.48
150	U15L3150H	U15L3150PG	U15L3150S	22.14	U15L6150H	U15L6150PG	U15L6150S	44.27
200	U15L3200H	U15L3200PG	U15L3200S	22.71	U15L6200H	U15L6200PG	U15L6200S	45.42
300	U15L3300H	U15L3300PG	U15L3300S	23.85	U15L6300H	U15L6300PG	U15L6300S	47.41
400	U15L3400H	U15L3400PG	U15L3400S	25	U15L6400H	U15L6400PG	U15L6400S	49.24
450	U15L3450H	U15L3450PG	U15L3450S	25.57	U15L6450H	U15L6450PG	U15L6450S	51.14
500	U15L3500H	U15L3500PG	U15L3500S	26.14	U15L6500H	U15L6500PG	U15L6500S	52.28
600	U15L3600H	U15L3600PG	U15L3600S	27.28	U15L6600H	U15L6600PG	U15L6600S	54.57
700	U15L3700H	U15L3700PG	U15L3700S	30.43	U15L6700H	U15L6700PG	U15L6700S	60.87
750	U15L3750H	U15L3750PG	U15L3750S	31.14	U15L6750H	U15L6750PG	U15L6750S	62.29
800	U15L3800H	U15L3800PG	U15L3800S	31.86	U15L6800H	U15L6800PG	U15L6800S	63.72
900	U15L3900H	U15L3900PG	U15L3900S	33.29	U15L6900H	U15L6900PG	U15L6900S	66.58
1000	U15L31000H	U15L31000PG	U15L31000S	34.72	U15L61000H	U15L61000PG	U15L61000S	69.44

45° Flat Bend

Cable Ladder Flat Bends



U10 45° Flat Bends

Size (W) mm	Part No.		Weight kg
	HG	SS	
100	U10FB10/45/30H	U10FB10/45/30S	1.9
150	U10FB15/45/30H	U10FB15/45/30S	2.1
200	U10FB20/45/30H	U10FB20/45/30S	2.3
300	U10FB30/45/30H	U10FB30/45/30S	2.7
400	U10FB40/45/30H	U10FB40/45/30S	3.1
450	U10FB45/45/30H	U10FB45/45/30S	3.3
500	U10FB50/45/30H	U10FB50/45/30S	3.5
600	U10FB60/45/30H	U10FB60/45/30S	3.9
700	U10FB70/45/30H	U10FB70/45/30S	5.7
750	U10FB75/45/30H	U10FB75/45/30S	6
800	U10FB80/45/30H	U10FB80/45/30S	6.3
900	U10FB90/45/30H	U10FB90/45/30S	6.9
1000	U10FB100/45/30H	U10FB100/45/30S	7.5

U12 45° Flat Bends

Size (W) mm	Part No.		Weight kg
	HG	SS	
100	U12FB10/45/30H	U12FB10/45/30S	2.7
150	U12FB15/45/30H	U12FB15/45/30S	3
200	U12FB20/45/30H	U12FB20/45/30S	3.2
300	U12FB30/45/30H	U12FB30/45/30S	3.7
400	U12FB40/45/30H	U12FB40/45/30S	4
450	U12FB45/45/30H	U12FB45/45/30S	4.4
500	U12FB50/45/30H	U12FB50/45/30S	4.9
600	U12FB60/45/30H	U12FB60/45/30S	5
700	U12FB70/45/30H	U12FB70/45/30S	6.8
750	U12FB75/45/30H	U12FB75/45/30S	7.2
800	U12FB80/45/30H	U12FB80/45/30S	7.5
900	U12FB90/45/30H	U12FB90/45/30S	8.1
1000	U12FB100/45/30H	U12FB100/45/30S	8.8

U15 45° Flat Bends

Size (W) mm	Part No.		Weight
	HG	SS	
100	U15FB10/45/30H	U15FB10/45/30S	3
150	U15FB15/45/30H	U15FB15/45/30S	3.3
200	U15FB20/45/30H	U15FB20/45/30S	3.5
300	U15FB30/45/30H	U15FB30/45/30S	4
400	U15FB40/45/30H	U15FB40/45/30S	4.2
450	U15FB45/45/30H	U15FB45/45/30S	4.8
500	U15FB50/45/30H	U15FB50/45/30S	5
600	U15FB60/45/30H	U15FB60/45/30S	5.5
700	U15FB70/45/30H	U15FB70/45/30S	7.4
750	U15FB75/45/30H	U15FB75/45/30S	7.7
800	U15FB80/45/30H	U15FB80/45/30S	8.1
900	U15FB90/45/30H	U15FB90/45/30S	8.7
1000	U15FB100/45/30H	U15FB100/45/30S	9.4



**Sold as
Individual**

Different radius' available upon request

90° Flat Bend

Cable Ladder Flat Bends



U10 90° Flat Bends

Size (W) mm	Part No.		Weight kg
	HG	SS	
100	U10FB10/90/30H	U10FB10/90/30S	3.2
150	U10FB15/90/30H	U10FB15/90/30S	3.5
200	U10FB20/90/30H	U10FB20/90/30S	3.9
300	U10FB30/90/30H	U10FB30/90/30S	4.5
400	U10FB40/90/30H	U10FB40/90/30S	5.7
450	U10FB45/90/30H	U10FB45/90/30S	6.1
500	U10FB50/90/30H	U10FB50/90/30S	6.5
600	U10FB60/90/30H	U10FB60/90/30S	7.3
700	U10FB70/90/30H	U10FB70/90/30S	8.8
750	U10FB75/90/30H	U10FB75/90/30S	10.41
800	U10FB80/90/30H	U10FB80/90/30S	10.93
900	U10FB90/90/30H	U10FB90/90/30S	11.98
1000	U10FB100/90/30H	U10FB100/90/30S	13.05

U12 90° Flat Bends

Size (W) mm	Part No.		Weight kg
	HG	SS	
100	U12FB10/90/30H	U12FB10/90/30S	4.6
150	U12FB15/90/30H	U12FB15/90/30S	5
200	U12FB20/90/30H	U12FB20/90/30S	5.4
300	U12FB30/90/30H	U12FB30/90/30S	6.3
400	U12FB40/90/30H	U12FB40/90/30S	7.3
450	U12FB45/90/30H	U12FB45/90/30S	8
500	U12FB50/90/30H	U12FB50/90/30S	8.5
600	U12FB60/90/30H	U12FB60/90/30S	9.2
700	U12FB70/90/30H	U12FB70/90/30S	11.2
750	U12FB75/90/30H	U12FB75/90/30S	12.8
800	U12FB80/90/30H	U12FB80/90/30S	13.4
900	U12FB90/90/30H	U12FB90/90/30S	14.6
1000	U12FB100/90/30H	U12FB100/90/30S	15.8

U15 90° Flat Bends

Size (W) mm	Part No.		Weight kg
	HG	SS	
100	U15FB10/90/30H	U15FB10/90/30S	5.1
150	U15FB15/90/30H	U15FB15/90/30S	5.5
200	U15FB20/90/30H	U15FB20/90/30S	5.9
300	U15FB30/90/30H	U15FB30/90/30S	6.8
400	U15FB40/90/30H	U15FB40/90/30S	7.7
450	U15FB45/90/30H	U15FB45/90/30S	8.6
500	U15FB50/90/30H	U15FB50/90/30S	9.1
600	U15FB60/90/30H	U15FB60/90/30S	10.1
700	U15FB70/90/30H	U15FB70/90/30S	11.9
750	U15FB75/90/30H	U15FB75/90/30S	13.49
800	U15FB80/90/30H	U15FB80/90/30S	14.11
900	U15FB90/90/30H	U15FB90/90/30S	15.34
1000	U15FB100/90/30H	U15FB100/90/30S	16.58



Sold as Individual

Different radius' available upon request

Cable Ladder Tee



U10 Tee

Size (W) mm	Part No.		Weight kg
	HG	SS	
100	U10ET10/10/30H	U10ET10/10/30S	5.3
150	U10ET15/15/30H	U10ET15/15/30S	5.7
200	U10ET20/20/30H	U10ET20/20/30S	6.1
300	U10ET30/30/30H	U10ET30/30/30S	7.7
400	U10ET40/40/30H	U10ET40/40/30S	8.7
450	U10ET45/45/30H	U10ET45/45/30S	9.2
500	U10ET50/50/30H	U10ET50/50/30S	9.7
600	U10ET60/60/30H	U10ET60/60/30S	10.7
700	U10ET70/70/30H	U10ET70/70/30S	14.2
750	U10ET75/75/30H	U10ET75/75/30S	14.9
800	U10ET80/80/30H	U10ET80/80/30S	15.5
900	U10ET90/90/30H	U10ET90/90/30S	16.9
1000	U10ET100/100/30H	U10ET100/100/30S	17.2

U12 Tee

Size (W) mm	Part No.		Weight kg
	HG	SS	
100	U12ET10/10/30H	U12ET10/10/30S	8.2
150	U12ET15/15/30H	U12ET15/15/30S	7.6
200	U12ET20/20/30H	U12ET20/20/30S	8.1
300	U12ET30/30/30H	U12ET30/30/30S	9.7
400	U12ET40/40/30H	U12ET40/40/30S	10.7
450	U12ET45/45/30H	U12ET45/45/30S	11.3
500	U12ET50/50/30H	U12ET50/50/30S	11.8
600	U12ET60/60/30H	U12ET60/60/30S	12.9
700	U12ET70/70/30H	U12ET70/70/30S	16.4
750	U12ET75/75/30H	U12ET75/75/30S	17.1
800	U12ET80/80/30H	U12ET80/80/30S	17.8
900	U12ET90/90/30H	U12ET90/90/30S	19.2
1000	U12ET100/100/30H	U12ET100/100/30S	20.2

U15 Tee

Size (W) mm	Part No.		Weight kg
	HG	SS	
100	U15ET10/10/30H	U15ET10/10/30S	8.1
150	U15ET15/15/30H	U15ET15/15/30S	8.5
200	U15ET20/20/30H	U15ET20/20/30S	8.9
300	U15ET30/30/30H	U15ET30/30/30S	10.6
400	U15ET40/40/30H	U15ET40/40/30S	11.7
450	U15ET45/45/30H	U15ET45/45/30S	12.3
500	U15ET50/50/30H	U15ET50/50/30S	12.8
600	U15ET60/60/30H	U15ET60/60/30S	13.9
700	U15ET70/70/30H	U15ET70/70/30S	17.5
750	U15ET75/75/30H	U15ET75/75/30S	18.2
800	U15ET80/80/30H	U15ET80/80/30S	19.0
900	U15ET90/90/30H	U15ET90/90/30S	20.0
1000	U15ET100/100/30H	U15ET100/100/30S	21.5



Unequal Tee's available upon request

Cross

Cable Ladder Cross



U10 Cross

Size (W) mm	Part No.		Weight kg
	HG	SS	
100	U10EC10/10/30H	U10EC10/10/30S	7.2
150	U10EC15/15/30H	U10EC15/15/30S	7.4
200	U10EC20/20/30H	U10EC20/20/30S	7.8
300	U10EC30/30/30H	U10EC30/30/30S	9.9
400	U10EC40/40/30H	U10EC40/40/30S	9.9
450	U10EC45/45/30H	U10EC45/45/30S	11.6
500	U10EC50/50/30H	U10EC50/50/30S	12.21
600	U10EC60/60/30H	U10EC60/60/30S	13.36
700	U10EC70/70/30H	U10EC70/70/30S	17.76
750	U10EC75/75/30H	U10EC75/75/30S	18.55
800	U10EC80/80/30H	U10EC80/80/30S	14.37
900	U10EC90/90/30H	U10EC90/90/30S	15.40
1000	U10EC100/100/30H	U10EC100/100/30S	16.40

U12 Cross

Size (W) mm	Part No.		Weight kg
	HG	SS	
100	U12EC10/10/30H	U12EC10/10/30S	10.4
150	U12EC15/15/30H	U12EC15/15/30S	9.6
200	U12EC20/20/30H	U12EC20/20/30S	9.9
300	U12EC30/30/30H	U12EC30/30/30S	12
400	U12EC40/40/30H	U12EC40/40/30S	13.1
450	U12EC45/45/30H	U12EC45/45/30S	13.6
500	U12EC50/50/30H	U12EC50/50/30S	14.2
600	U12EC60/60/30H	U12EC60/60/30S	15.3
700	U12EC70/70/30H	U12EC70/70/30S	17.2
750	U12EC75/75/30H	U12EC75/75/30S	18.7
800	U12EC80/80/30H	U12EC80/80/30S	19.4
900	U12EC90/90/30H	U12EC90/90/30S	20.7
1000	U12EC100/100/30H	U12EC100/100/30S	21.9

U15 Cross

Size (W) mm	Part No.		Weight kg
	HG	SS	
100	U15EC10/10/30H	U15EC10/10/30S	-
150	U15EC15/15/30H	U15EC15/15/30S	10.62
200	U15EC20/20/30H	U15EC20/20/30S	11
300	U15EC30/30/30H	U15EC30/30/30S	13
400	U15EC40/40/30H	U15EC40/40/30S	14.1
450	U15EC45/45/30H	U15EC45/45/30S	14.6
500	U15EC50/50/30H	U15EC50/50/30S	15.2
600	U15EC60/60/30H	U15EC60/60/30S	16.3
700	U15EC70/70/30H	U15EC70/70/30S	18.3
750	U15EC75/75/30H	U15EC75/75/30S	19.8
800	U15EC80/80/30H	U15EC80/80/30S	20.5
900	U15EC90/90/30H	U15EC90/90/30S	21.7
1000	U15EC100/100/30H	U15EC100/100/30S	23.1



Sold as Individual

Different radius' available upon request

45° Outside Riser

Cable Ladder Risers



U10 45° Outside Riser

Size (W) mm	Part No.		Weight kg
	HG	SS	
100	U10OR10/45/30H	U10OR10/45/30S	1.8
150	U10OR15/45/30H	U10OR15/45/30S	2.3
200	U10OR20/45/30H	U10OR20/45/30S	2.5
300	U10OR30/45/30H	U10OR30/45/30S	2.7
400	U10OR40/45/30H	U10OR40/45/30S	2.9
450	U10OR45/45/30H	U10OR45/45/30S	3
500	U10OR50/45/30H	U10OR50/45/30S	3.2
600	U10OR60/45/30H	U10OR60/45/30S	3.4
700	U10OR70/45/30H	U10OR70/45/30S	4
750	U10OR75/45/30H	U10OR75/45/30S	4.1
800	U10OR80/45/30H	U10OR80/45/30S	4.3
900	U10OR90/45/30H	U10OR90/45/30S	4.6
1000	U10OR100/45/30H	U10OR100/45/30S	4.9

U12 45° Outside Riser

Size (W) mm	Part No.		Weight kg
	HG	SS	
100	U12OR10/45/30H	U12OR10/45/30S	3.3
150	U12OR15/45/30H	U12OR15/45/30S	3.4
200	U12OR20/45/30H	U12OR20/45/30S	3.5
300	U12OR30/45/30H	U12OR30/45/30S	3.7
400	U12OR40/45/30H	U12OR40/45/30S	3.9
450	U12OR45/45/30H	U12OR45/45/30S	4.1
500	U12OR50/45/30H	U12OR50/45/30S	4.2
600	U12OR60/45/30H	U12OR60/45/30S	4.4
700	U12OR70/45/30H	U12OR70/45/30S	5
750	U12OR75/45/30H	U12OR75/45/30S	5.2
800	U12OR80/45/30H	U12OR80/45/30S	5.3
900	U12OR90/45/30H	U12OR90/45/30S	5.6
1000	U12OR100/45/30H	U12OR100/45/30S	5.9

U15 45° Outside Riser

Size (W) mm	Part No.		Weight kg
	HG	SS	
100	U15OR10/45/30H	U15OR10/45/30S	4
150	U15OR15/45/30H	U15OR15/45/30S	4.1
200	U15OR20/45/30H	U15OR20/45/30S	4.2
300	U15OR30/45/30H	U15OR30/45/30S	4.4
400	U15OR40/45/30H	U15OR40/45/30S	4.6
450	U15OR45/45/30H	U15OR45/45/30S	4.8
500	U15OR50/45/30H	U15OR50/45/30S	4.9
600	U15OR60/45/30H	U15OR60/45/30S	5.1
700	U15OR70/45/30H	U15OR70/45/30S	5.7
750	U15OR75/45/30H	U15OR75/45/30S	5.9
800	U15OR80/45/30H	U15OR80/45/30S	6
900	U15OR90/45/30H	U15OR90/45/30S	6.3
1000	U15OR100/45/30H	U15OR100/45/30S	6.6



Sold as Individual

90° Outside Riser

Cable Ladder Risers



U10 90° Outside Riser

Size (W) mm	Part No.		Weight kg
	HG	SS	
100	U10OR10/90/30H	U10OR10/90/30S	2.5
150	U10OR15/90/30H	U10OR15/90/30S	2.6
200	U10OR20/90/30H	U10OR20/90/30S	2.7
300	U10OR30/90/30H	U10OR30/90/30S	3
400	U10OR40/90/30H	U10OR40/90/30S	3.2
450	U10OR45/90/30H	U10OR45/90/30S	3.3
500	U10OR50/90/30H	U10OR50/90/30S	3.4
600	U10OR60/90/30H	U10OR60/90/30S	3.7
700	U10OR70/90/30H	U10OR70/90/30S	4.3
750	U10OR75/90/30H	U10OR75/90/30S	4.4
800	U10OR80/90/30H	U10OR80/90/30S	4.6
900	U10OR90/90/30H	U10OR90/90/30S	4.9
1000	U10OR100/90/30H	U10OR100/90/30S	5.03

U12 90° Outside Riser

Size (W) mm	Part No.		Weight kg
	HG	SS	
100	U12OR10/90/30H	U12OR10/90/30S	3.8
150	U12OR15/90/30H	U12OR15/90/30S	3.9
200	U12OR20/90/30H	U12OR20/90/30S	4
300	U12OR30/90/30H	U12OR30/90/30S	4.2
400	U12OR40/90/30H	U12OR40/90/30S	4.4
450	U12OR45/90/30H	U12OR45/90/30S	4.5
500	U12OR50/90/30H	U12OR50/90/30S	4.6
600	U12OR60/90/30H	U12OR60/90/30S	4.9
700	U12OR70/90/30H	U12OR70/90/30S	5.5
750	U12OR75/90/30H	U12OR75/90/30S	5.6
800	U12OR80/90/30H	U12OR80/90/30S	5.8
900	U12OR90/90/30H	U12OR90/90/30S	6
1000	U12OR100/90/30H	U12OR100/90/30S	6.3

U15 90° Outside Riser

Size (W) mm	Part No.		Weight kg
	HG	SS	
100	U15OR10/90/30H	U15OR10/90/30S	4.6
150	U15OR15/90/30H	U15OR15/90/30S	4.7
200	U15OR20/90/30H	U15OR20/90/30S	4.8
300	U15OR30/90/30H	U15OR30/90/30S	5
400	U15OR40/90/30H	U15OR40/90/30S	5.2
450	U15OR45/90/30H	U15OR45/90/30S	5.3
500	U15OR50/90/30H	U15OR50/90/30S	5.5
600	U15OR60/90/30H	U15OR60/90/30S	5.7
700	U15OR70/90/30H	U15OR70/90/30S	6.3
750	U15OR75/90/30H	U15OR75/90/30S	6.4
800	U15OR80/90/30H	U15OR80/90/30S	6.6
900	U15OR90/90/30H	U15OR90/90/30S	6.9
1000	U15OR100/90/30H	U15OR100/90/30S	10.26



Sold as Individual

Cable Ladder

45° Inside Riser

Cable Ladder Risers



U10 45° Inside Riser

Size (W) mm	Part No.		Weight kg
	HG	SS	
100	U10IR10/45/30H	U10IR10/45/30S	1.8
150	U10IR15/45/30H	U10IR15/45/30S	2.3
200	U10IR20/45/30H	U10IR20/45/30S	2.5
300	U10IR30/45/30H	U10IR30/45/30S	2.7
400	U10IR40/45/30H	U10IR40/45/30S	2.9
450	U10IR45/45/30H	U10IR45/45/30S	3
500	U10IR50/45/30H	U10IR50/45/30S	3.2
600	U10IR60/45/30H	U10IR60/45/30S	3.4
700	U10IR70/45/30H	U10IR70/45/30S	4
750	U10IR75/45/30H	U10IR75/45/30S	4.1
800	U10IR80/45/30H	U10IR80/45/30S	4.3
900	U10IR90/45/30H	U10IR90/45/30S	4.6
1000	U10IR100/45/30H	U10IR100/45/30S	4.9

U12 45° Inside Riser

Size (W) mm	Part No.		Weight kg
	HG	SS	
100	U12IR10/45/30H	U12IR10/45/30S	3.3
150	U12IR15/45/30H	U12IR15/45/30S	3.4
200	U12IR20/45/30H	U12IR20/45/30S	3.5
300	U12IR30/45/30H	U12IR30/45/30S	3.7
400	U12IR40/45/30H	U12IR40/45/30S	3.9
450	U12IR45/45/30H	U12IR45/45/30S	4.1
500	U12IR50/45/30H	U12IR50/45/30S	4.2
600	U12IR60/45/30H	U12IR60/45/30S	4.4
700	U12IR70/45/30H	U12IR70/45/30S	5
750	U12IR75/45/30H	U12IR75/45/30S	5.2
800	U12IR80/45/30H	U12IR80/45/30S	5.3
900	U12IR90/45/30H	U12IR90/45/30S	5.6
1000	U12IR100/45/30H	U12IR100/45/30S	5.9

U15 45° Inside Riser

Size (W) mm	Part No.		Weight kg
	HG	SS	
100	U15IR10/45/30H	U15IR10/45/30S	4
150	U15IR15/45/30H	U15IR15/45/30S	4.1
200	U15IR20/45/30H	U15IR20/45/30S	4.2
300	U15IR30/45/30H	U15IR30/45/30S	4.4
400	U15IR40/45/30H	U15IR40/45/30S	4.6
450	U15IR45/45/30H	U15IR45/45/30S	4.8
500	U15IR50/45/30H	U15IR50/45/30S	4.9
600	U15IR60/45/30H	U15IR60/45/30S	5.1
700	U15IR70/45/30H	U15IR70/45/30S	5.7
750	U15IR75/45/30H	U15IR75/45/30S	5.9
800	U15IR80/45/30H	U15IR80/45/30S	6
900	U15IR90/45/30H	U15IR90/45/30S	6.3
1000	U15IR100/45/30H	U15IR100/45/30S	6.6



Sold as
Individual

90° Inside Riser

Cable Ladder Risers



U10 90° Inside Riser

Size (W) mm	Part No.		Weight kg
	HG	SS	
100	U10IR10/90/30H	U10IR10/90/30S	1.8
150	U10IR15/90/30H	U10IR15/90/30S	2.3
200	U10IR20/90/30H	U10IR20/90/30S	2.5
300	U10IR30/90/30H	U10IR30/90/30S	2.7
400	U10IR40/90/30H	U10IR40/90/30S	2.9
450	U10IR45/90/30H	U10IR45/90/30S	3
500	U10IR50/90/30H	U10IR50/90/30S	3.2
600	U10IR60/90/30H	U10IR60/90/30S	3.4
700	U10IR70/90/30H	U10IR70/90/30S	4
750	U10IR75/90/30H	U10IR75/90/30S	4.1
800	U10IR80/90/30H	U10IR80/90/30S	4.3
900	U10IR90/90/30H	U10IR90/90/30S	4.6
1000	U10IR100/90/30H	U10IR100/90/30S	4.9

U12 90° Inside Riser

Size (W) mm	Part No.		Weight kg
	HG	SS	
100	U12IR10/90/30H	U12IR10/90/30S	3.3
150	U12IR15/90/30H	U12IR15/90/30S	3.4
200	U12IR20/90/30H	U12IR20/90/30S	3.5
300	U12IR30/90/30H	U12IR30/90/30S	3.7
400	U12IR40/90/30H	U12IR40/90/30S	3.9
450	U12IR45/90/30H	U12IR45/90/30S	4.1
500	U12IR50/90/30H	U12IR50/90/30S	4.2
600	U12IR60/90/30H	U12IR60/90/30S	4.4
700	U12IR70/90/30H	U12IR70/90/30S	5
750	U12IR75/90/30H	U12IR75/90/30S	5.2
800	U12IR80/90/30H	U12IR80/90/30S	5.3
900	U12IR90/90/30H	U12IR90/90/30S	5.6
1000	U12IR100/90/30H	U12IR100/90/30S	5.9

U15 90° Inside Riser

Size (W) mm	Part No.		Weight kg
	HG	SS	
100	U15IR10/90/30H	U15IR10/90/30S	4
150	U15IR15/90/30H	U15IR15/90/30S	4.1
200	U15IR20/90/30H	U15IR20/90/30S	4.2
300	U15IR30/90/30H	U15IR30/90/30S	4.4
400	U15IR40/90/30H	U15IR40/90/30S	4.6
450	U15IR45/90/30H	U15IR45/90/30S	4.8
500	U15IR50/90/30H	U15IR50/90/30S	4.9
600	U15IR60/90/30H	U15IR60/90/30S	5.1
700	U15IR70/90/30H	U15IR70/90/30S	5.7
750	U15IR75/90/30H	U15IR75/90/30S	5.9
800	U15IR80/90/30H	U15IR80/90/30S	6
900	U15IR90/90/30H	U15IR90/90/30S	6.3
1000	U15IR100/90/30H	U15IR100/90/30S	6.6



Sold as Individual

Cable Ladder Risers

Reducers are available in three variants and can be made to order for any stock width to any other standard width.

Variants include :

- Left hand reducers
- Right hand reducers
- Straight reducers

To calculate the correct reducer, please follow the formula below:

Choose your depth of ladder

U10 (Medium Duty)	= U10
U12 (Heavy Duty)	= U12
U15 (Extra Heavy Duty)	= U15

Choose the reducer variant

Left hand	= LR
Right hand	= RR
Straight	= SR

Choose the starting width

100mm	= 10
150mm	= 15
200mm	= 20
300mm	= 30
400mm	= 40
450mm	= 45
500mm	= 50
600mm	= 60
700mm	= 70
750mm	= 75
800mm	= 80
900mm	= 90
1000mm	= 100
1200mm	= 120

and the End (reduced) width

U10

U10 SR

U10 SR 80

U10 SR 80 / 40



Branch Tees

Cable Ladder Branch Tees

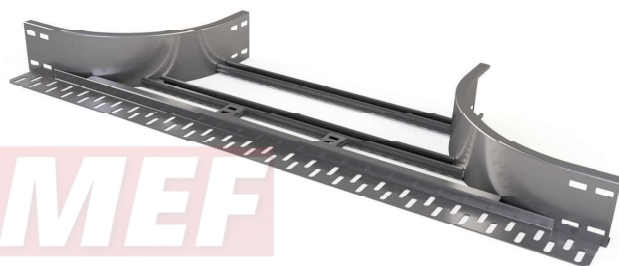
Atkore Unistrut's Branch Tee's simplify the method of installation instead of using the traditional tee piece.

This allows full ladder installation runs and tee's to be added at a later date to ensure accuracy and to improve installation times.



Key Features

- Dictate where tee's positioned
- Reduces ladder cuts
- Improved installation times
- Lower installation cost
- Reduced weight for install



	Width				
Radius (mm)	300	450	600	750	900
300	Available	Available	Available	Available	Available
450	Available	Available	Available	Available	Not Available
600	Available	Available	Available	Not Available	Not Available
750	Available	Available	Not Available	Not Available	Not Available
900	Available	Not Available	Not Available	Not Available	Not Available

Part Number Guide

Part number = Size*BT*Width*Rad*Finish

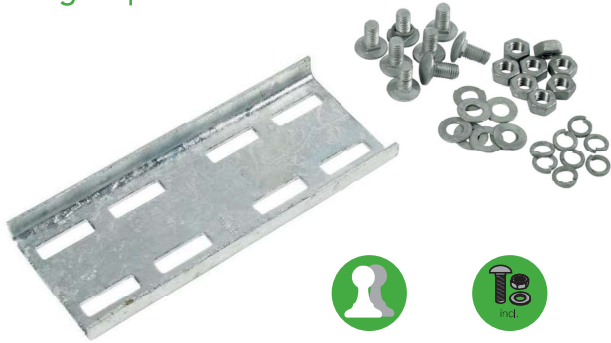
For example: U10BT3030HG = U10 Cable Ladder Branch Tee 300mm x 300mm in Hot-Dipped Galvanised finish.

Atkore Unistrut & Marco have an experienced technical sales team who can assist with all product enquiries.

Couplers

Cable Ladder Couplers

Straight Splice



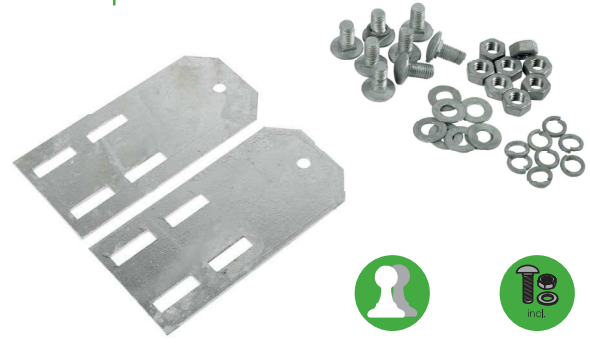
Sold as
Pair



Inc Fixings

Size	Part No.		Weight
	HG	SS	
U10	U10/SP/H	U10/SP/S	1.5
U12	U12/SP/H	U12/SP/S	1.7
U15	U15/SP/H	U15/SP/S	1.9

Verticle Splice



Sold as
Pair



Inc Fixings

Size	Part No.		Weight
	HG	SS	
U10	U10/VSP/H	U10/VSP/S	1.9
U12	U12/VSP/H	U12/VSP/S	2.3
U15	U15/VSP/H	U15/VSP/S	2.8

Cable Ladder



Horizontal Splice



Sold as
Pair



Inc Fixings

Size	Part No.		Weight
	HG	SS	
U10	U10/HSP/H	U10/HSP/S	1.6
U12	U12/HSP/H	U12/HSP/S	1.8
U15	U15/HSP/H	U15/HSP/S	2.1

Thermal Expansion Coupler



Sold as
Pair



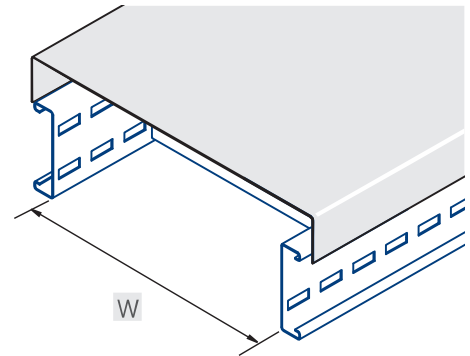
Inc Fixings

Size	Part No.		Weight
	HG	SS	
U10	U10/TEC/H	U10/TEC/S	1.5
U12	U12/TEC/H	U12/TEC/S	1.8
U15	U15/TEC/H	U15/TEC/S	2.1

Covers - U10, U12 & U15

Cable Ladder Covers

Type	Part No.		Ladder Width - Std Length	
	HG	SS	mm	m
U/COV	U/COV100H	U/COV100S	100	3
U/COV	U/COV150H	U/COV150S	150	3
U/COV	U/COV200H	U/COV200S	200	3
U/COV	U/COV300H	U/COV300S	300	3
U/COV	U/COV400H	U/COV400S	400	1.5
U/COV	U/COV450H	U/COV450S	450	1.5
U/COV	U/COV500H	U/COV500S	500	1.5
U/COV	U/COV600H	U/COV600S	600	1.5
U/COV	U/COV700H	U/COV700S	700	1.5
U/COV	U/COV750H	U/COV750S	750	1.5
U/COV	U/COV800H	U/COV800S	800	1.5
U/COV	U/COV900H	U/COV900S	900	1.5
U/COV	U/COV1000H	U/COV1000S	1000	1.5
U/COV	U/COV1200H	U/COV1200S	1200	1.5



Sold as Individual

Other lengths available upon request

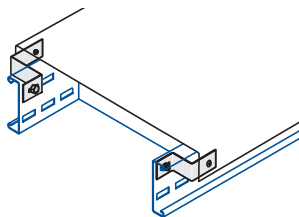


A cover for every fitting

Atkore Unistrut have custom fit covers for the entire range of lengths and fittings and can provide custom sizes if required for unique jobs.

These are available upon request - please contact the sales department for further information.

Cover Clip



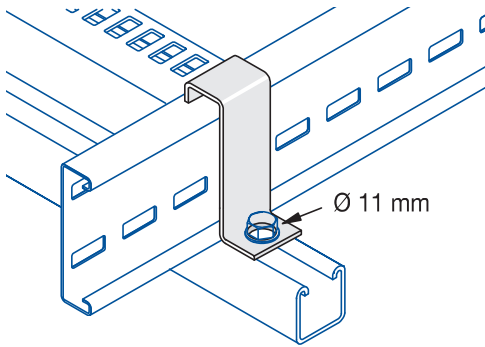
Length 1.5m - Use 4 Cover Fixings
Length 3.0m - Use 6 Cover Fixings

Part No.	Finish
U/COVCLIP	Stainless Steel or Hot Galvanised S or H

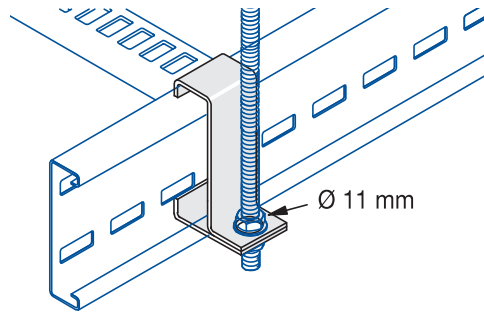
Cover clip can be orientated to achieve closed or ventilated cover

Cable Ladder Accessories

H/D Bracket



Suspension Clip

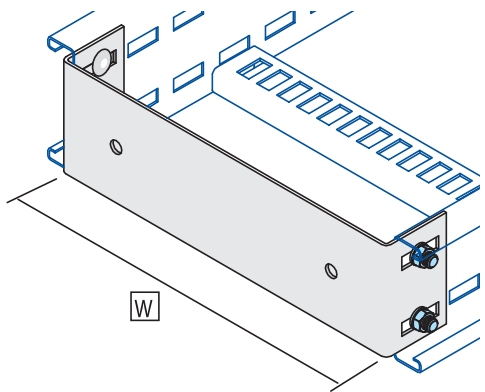


Type	Part No.	
	HG	SS
U10 / HDB	U10/HDB/H	U10/HDB/S
U12 / HDB	U12/HDB/H	U12/HDB/S
U15 / HDB	U15/HDB/H	U15/HDB/S

Type	Part No.	
	HG	SS
U10 / SC	U10/SC/H	U10/SC/S
U12 / SC	U12/SC/H	U12/SC/S
U15 / SC	U15/SC/H	U15/SC/S

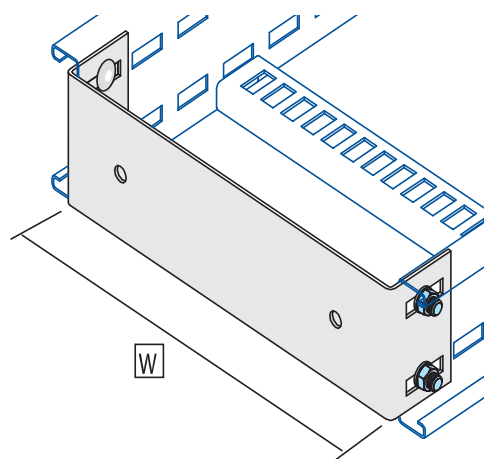


Stop End - U10



Sold as Individual

Stop End - U12



Sold as Individual

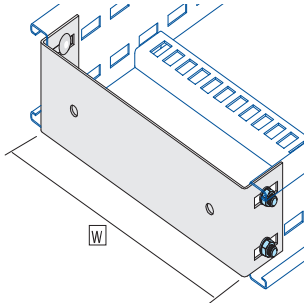
Size (W) mm	Part No.	
	HG	SS
150	U10/SE150/H	U10/SE150/S
300	U10/SE300/H	U10/SE300/S
450	U10/SE450/H	U10/SE450/S
600	U10/SE600/H	U10/SE600/S
750	U10/SE750/H	U10/SE750/S
900	U10/SE900/H	U10/SE900/S

Size (W) mm	Part No.	
	HG	SS
150	U12/SE150/H	U12/SE150/S
300	U12/SE300/H	U12/SE300/S
450	U12/SE450/H	U12/SE450/S
600	U12/SE600/H	U12/SE600/S
750	U12/SE750/H	U12/SE750/S
900	U12/SE900/H	U12/SE900/S

Accessories

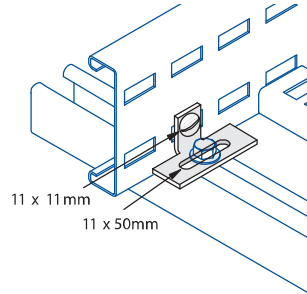
Cable Ladder Accessories

Stop End - U15



Sold as Individual

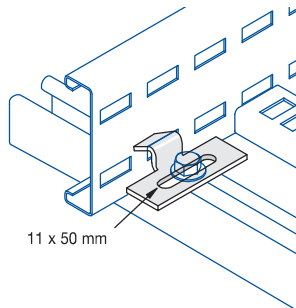
Hold Down Bracket



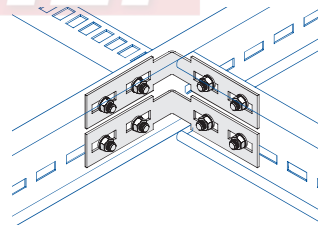
Size (W) mm	Part No.	
	HG	SS
150	U15/SE150/H	U15/SE150/S
300	U15/SE300/H	U15/SE300/S
450	U15/SE450/H	U15/SE450/S
600	U15/SE600/H	U15/SE600/S
750	U15/SE750/H	U15/SE750/S
900	U15/SE900/H	U15/SE900/S

Type	Part No.	
	HG	SS
U10/HDB	U/CLAMP/H	U/CLAMP/S

Hold Down Clip



Tee Bracket

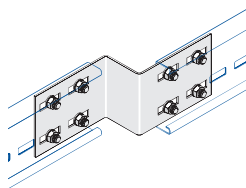


Inc Fitments

Type	Part No.	
	HG	SS
U/CLIP	U/CLIP/H	U/CLIP/S

Type	Part No.		Quantity
	HG	SS	
TEE	U/2TEE/H	U/2TEE/S	2
TEE	U/2TEE/H/UN	U/2TEE/S/UN	1

Reducing Splice Plate

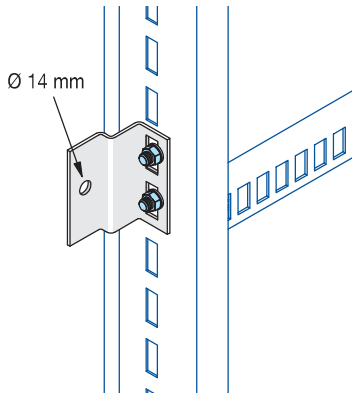


Inc Fitments

Type	Part No.	
	HG	SS
U/RSP	U/RSP/HG	U/RSP/SS

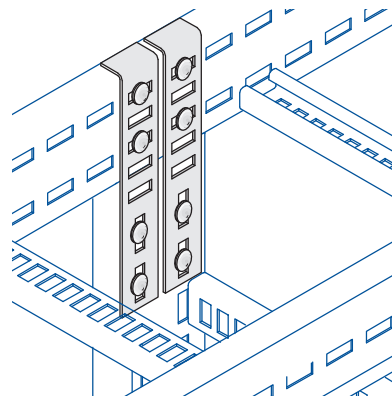
Cable Ladder Accessories

Wall Bracket



Part No.	Finish
U/WCH	Stainless Steel or Hot Galvanised SS or HG

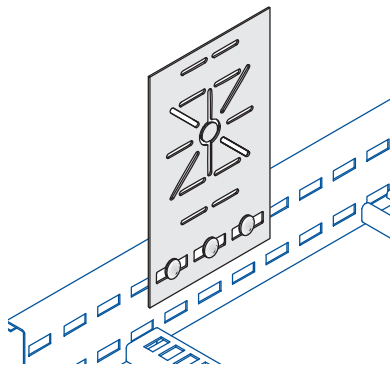
Rail to Rail Dropper



Inc Fitments

Part No.	Finish
U/RRD	Stainless Steel or Hot Galvanised SS or HG

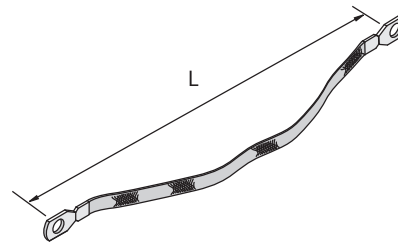
Mounting Plate



Tinned Copper Braid
M10 Hole Size



Inc Fitments



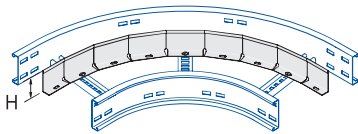
Part No.	Finish
U/MP	Stainless Steel or Hot Galvanised SS or HG

Part No.	Size (L)
UES100	100mm
UES300	300mm

Accessories

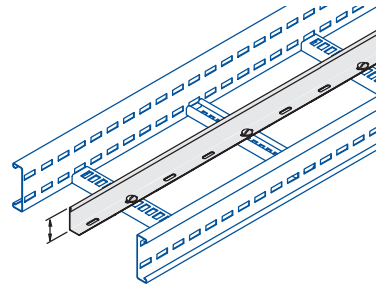
Cable Ladder Accessories

Curved Divider



Incl. Fixments

Straight Divider

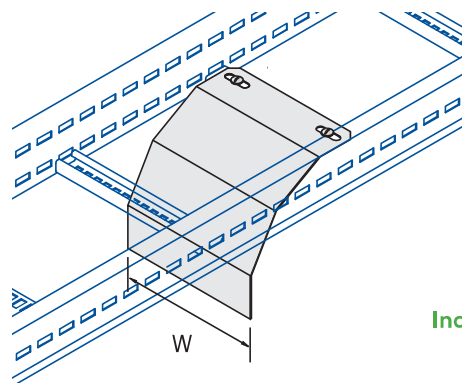
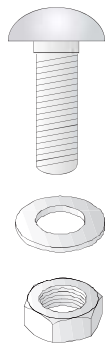


Incl. Fixments

Part No.	Height mm	Finish
U/CUR30	30mm	SS or HG
U/CUR70	70mm	SS or HG

Part No.	Height mm	Finish
U/DIV30	30mm	SS or HG
U/DIV70	70mm	SS or HG

Ladder Fixing Set



Incl. Fixments

Part No.	Finish
U/FIX16M10	Stainless Steel or Hot Galvanised SS or HG

Pack of 16 (nuts, bolts and washers)

Part No.	Size (W) mm	Finish
U/DO/150	145mm	SS or HG
U/DO/200	195mm	SS or HG
U/DO/300	295mm	SS or HG
U/DO/450	445mm	SS or HG
U/DO/600	595mm	SS or HG
U/DO/750	745mm	SS or HG
U/DO/900	895mm	SS or HG

Cable Ladder Technical Data

Technical Information for Atkore
Unistrut's Cable Ladder System



Materials & Finishes

Cable Ladder Materials & Finishes

Hot-Dip Galvanised [HG]

Cable Trays, brackets, cantilever arms and fittings can be Hot-Dip Galvanised in accordance with BS EN ISO1461:2009 and chromated.

The minimum average Zinc Coating is as follows:

- Cold Rolled From 1.5mm Steel – 55 microns
- 2.5mm Steel – 55 microns
- Fittings spun galvanised – 45 microns
- Mild Steel – BS EN 10149-3 grade S280 – min.yield 280 n/mm² – UTS 370 n/mm²

Deep Hot-Dip Galvanised

- BS EN 10025 S275JO+AR+CL1 or equivalent/better. 2mm min. thick material.

Stainless Steel [SS]

- Stainless Steel 1.4404 (316L)
- Hot Rolled to B.S.EN10088-2-1.4404+1D.
- Cleaned (Pickled & Passivated)

Applying a pickling process to Stainless Steel results in a clean product and it also removes any heat discoloration that has occurred in the welding process.

SPECIAL COATINGS AND MATERIAL GRADES ARE AVAILABLE ON REQUEST

Pickle & Passivate is available upon request

Certification and Quality Standards

BS EN 61537:2007



ISO 9001 – Quality system certification

ISO 14001 – Environment certification

ISO 45001 – Health and safety certification

Useful Cross Section

Type U10

Width mm	Useful cross section (cm ²)
100	75
150	113
200	150
300	225
400	300
450	338
500	375
600	450
750	563
800	600
900	650
1000	750

Type U12

Width mm	Useful cross section (cm ²)
100	100
150	150
200	200
300	300
400	400
450	450
500	500
600	600
750	750
800	800
900	900
1000	1000

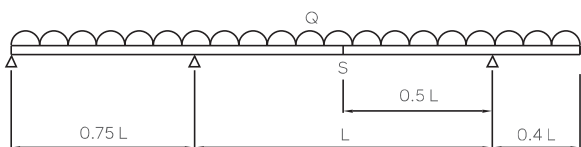
Type U15

Width mm	Useful cross section (cm ²)
100	125
150	188
200	250
300	375
400	500
450	563
500	625
600	750
750	938
800	1000
900	1125
1000	1250

Loading Data

Cable Ladder Loading Data

Stated loadings apply to mild steel products only.



Load test according to CEI/IEC 61537:2001

Q = UDL (uniformly distributed load)

Safety Factor = 1.7

L = intermediate span

F = deflection = 1/100 of the intermediate span (max.)

S = splice location

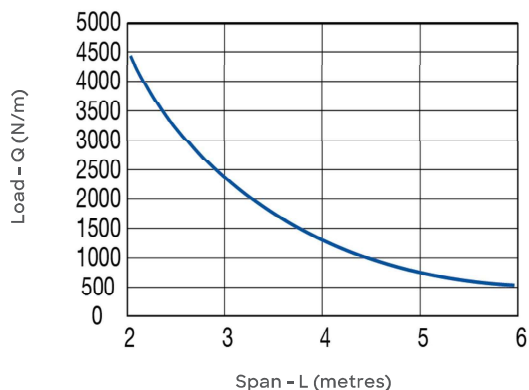
Atkore Unistrut's load testing is in accordance with CEI/IEC 61537:2001. In practical terms this covers continuous/multi span installations, evenly loaded along the length of, and across the full width of the ladder. The end spans in these installations should be reduced to 0.75 of the intermediate spans.

Deflection: Atkore Unistrut's load and deflection figures are in accordance with CEI/IEC 61537:2001, with the characteristic deflection of Unistrut Cable Ladder limited to span/100, and load figures inclusive of a safety factor of 1.7.

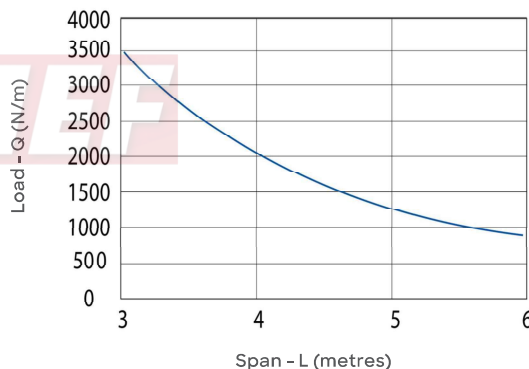
Accessories: To ensure adequate support, accessories should be supported locally.

Couplers: The loading and deflection tables for Atkore Unistrut Cable Ladder assume that the couplers are located at the most onerous position within the span (i.e. mid span). To maintain the load/deflection figures stated in the tables, the couplers should not be located in end spans or over support locations. Only one pair of couplers should be installed per span.

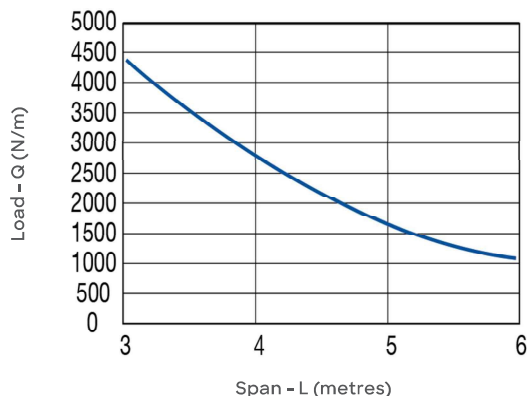
Atkore Unistrut Ladder - Type U10



Atkore Unistrut Ladder - Type U12



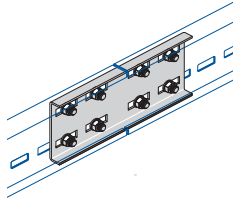
Atkore Unistrut Ladder - Type U15



Couplers

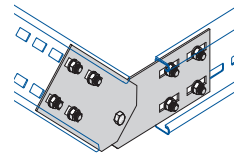
Cable Ladder Couplers

SP Coupler (Straight Splice)



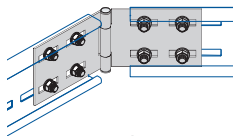
2x Straight Splices with fasteners included.
For use in joining flat sections (straights and curves)

VSP Coupler (Verticle Splice)



2x Vertical Splices with fittings included.
For use in creating an adjustable riser.

HSP Coupler (Horizontal Splice)



2x Horizontal Splices with fittings included.
A hinged splice to allow straights to connect at varying angles.

TEC Coupler (Thermal Expansion Coupler)



2x Thermal Expansion Couplers with fittings included.
To compensate for thermal expansion.

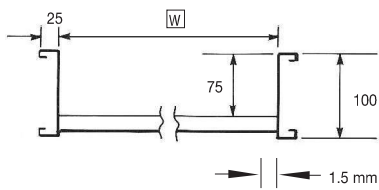
Size & Angle Codes

Cable Ladder Size & Angle Codes

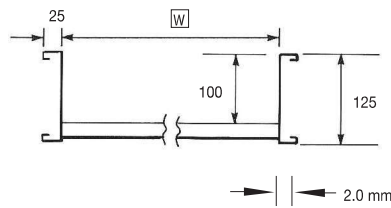
Atkore Unistrut's fittings come in a wide variety of widths, radii and angles (where appropriate). Many of these are standard factory items and the rest are available upon request.

Unless specified, figures are in millimeters (mm)

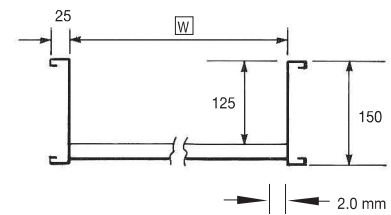
U10



U12

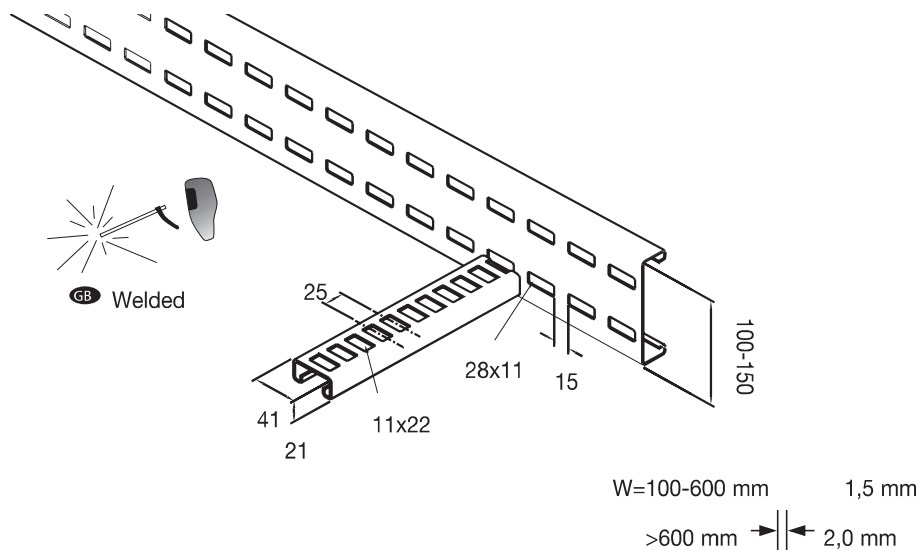


U15



Standard Widths (W)		By Request	Angles (D)		By Request	Radii (R)	
Code	Width		Width	Angle		Code	Width
10	100mm	By Request	30	30	By Request	30	300mm*
15	150mm		45	45		45	450mm
20	200mm	By Request	60	60	By Request	60	600mm
30	300mm		90	90		75	750mm
40	400mm	By Request				90	900mm
45	450mm						
50	500mm	By Request					
60	600mm						
70	700mm	By Request					
75	750mm						
80	800mm	By Request					
90	900mm						
100	1000mm	By Request					

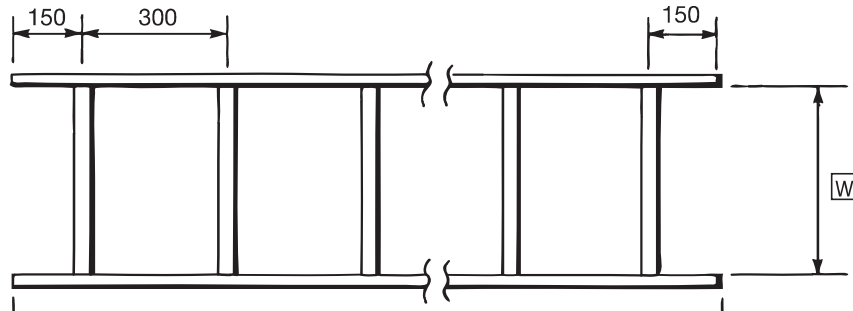
*Standard



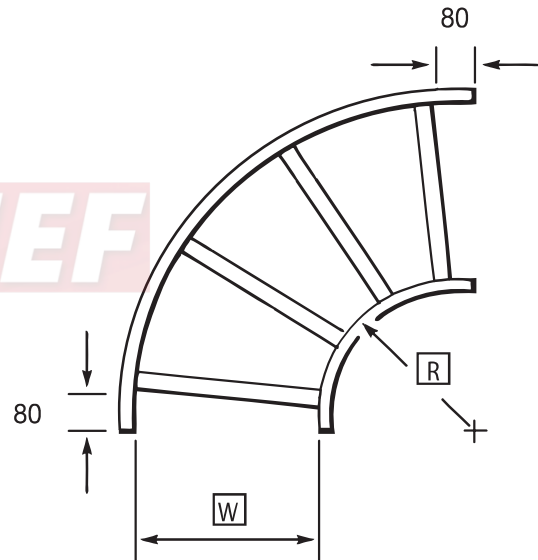
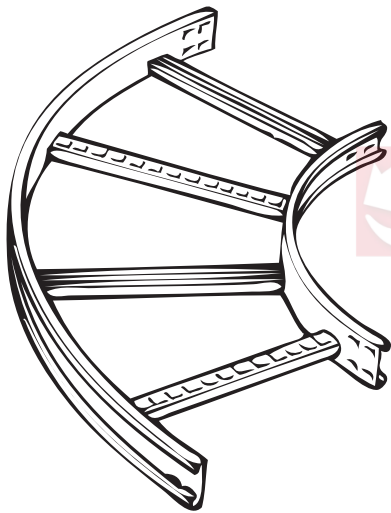
Fittings

Cable Ladder Fittings

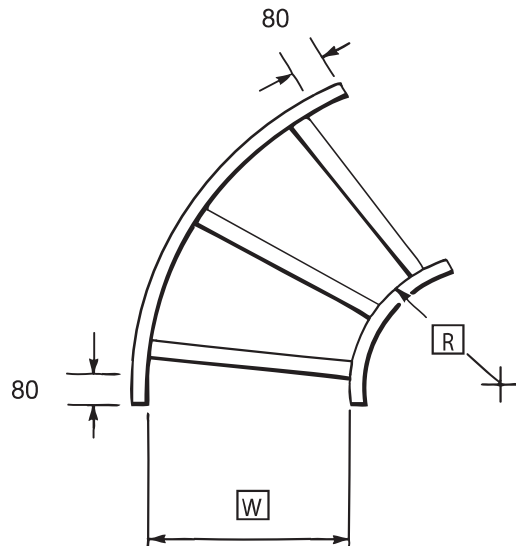
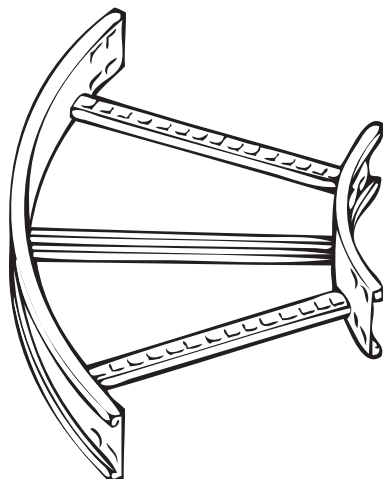
Rung Distance



90° Flat Bend



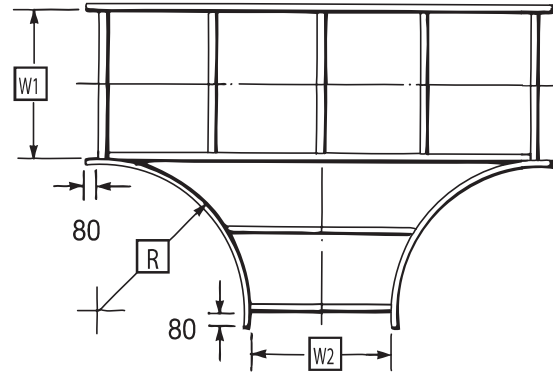
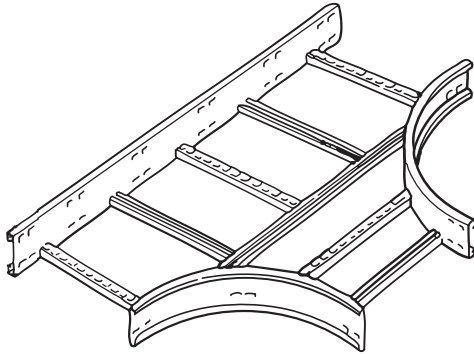
45° Flat Bend



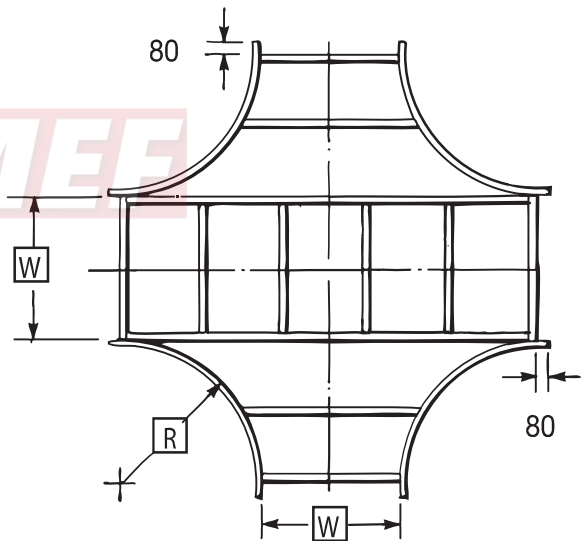
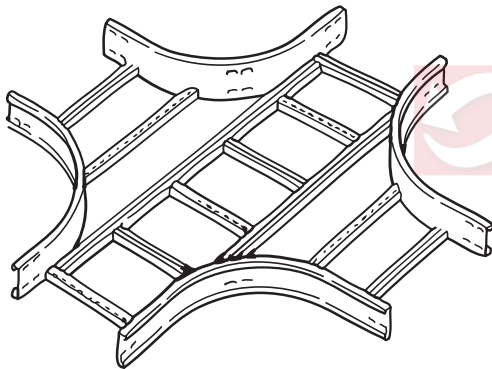
Please use codes on page 77 for [W], [R] and [D]

Cable Ladder Fittings

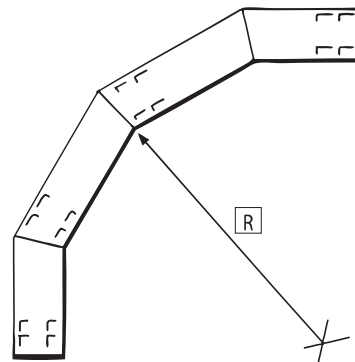
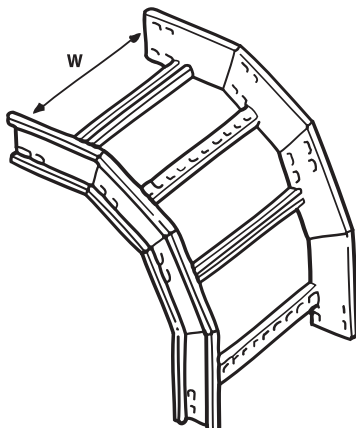
Equal Tee



Equal Cross



90° Outside Riser

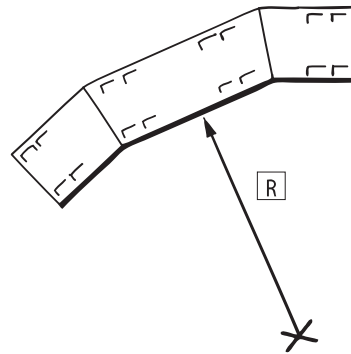
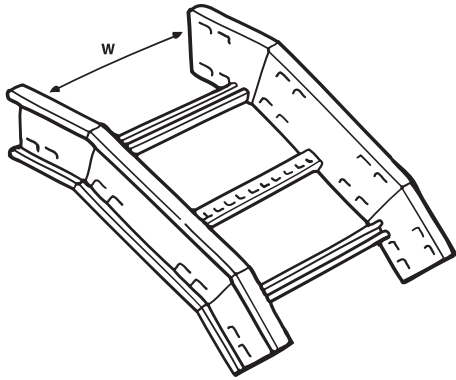


Please use codes on page 77 for [W], [R] and [D]

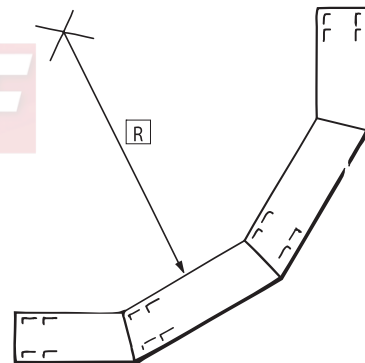
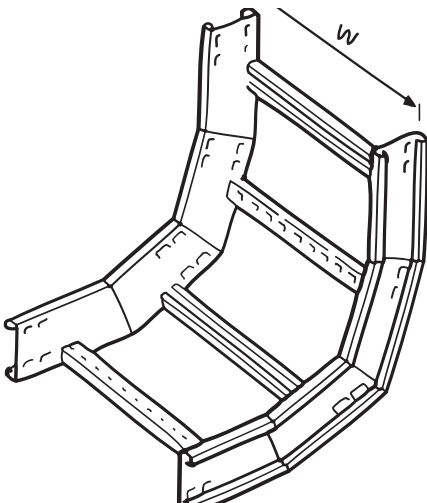
Fittings

Cable Ladder Fittings

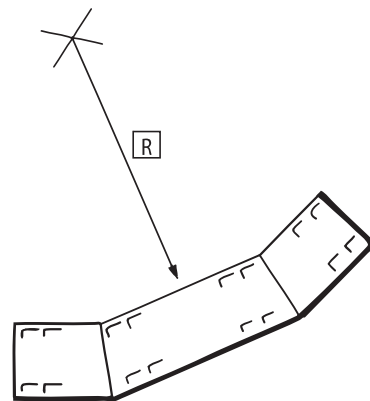
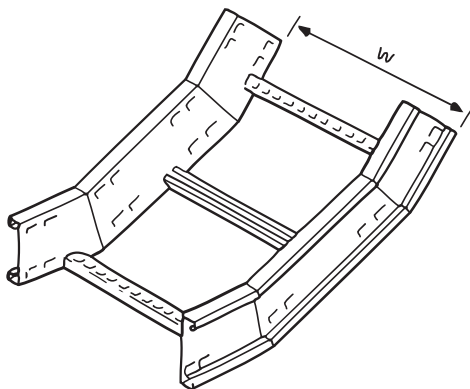
45° Outside Riser



90° Inside Riser



45° Inside Riser



Please use codes on page 77 for [W], [R] and [D]



AMEF

Allied Tube & Conduit ▲ AFC Cable Systems ▲ Heritage Plastics ▲ Unistrut
Unistrut Construction ▲ Cope ▲ US Tray ▲ Calbrite ▲ Calbond ▲ Kaf-Tech
Power-Strut ▲ Calconduit ▲ Razor Ribbon ▲ Calpipe Security ▲ Vergokan ▲ Cii
Columbia-MBF ▲ Eastern Wire + Conduit ▲ ACS/Uni-Fab ▲ Sasco Strut ▲ Marco
FRE Composites ▲ Queen City Plastics ▲ Four Star Industries ▲ Flexicon

Atkore Unistrut & Marco
Delta Point,
Greets Green Road
West Bromwich
B70 9PL

PHONE/ +44 (0) 121 580 6300
FAX / +44 (0) 121 580 6370

atkore.com/marco
atkore.com/unistrut

