

Atkore Unistrut & Marco Catalogue



Atkore[™]
Unistrut

Atkore[™]
Marco

Floor Systems

Underfloor & Flush Floor Systems



FLOOR SYSTEMS CONTENTS

Contents	Page Number
Flush Floor Shallow Screeds	158
D6 Flush Floor Trunking	162
Under Floor Trunking	165
Service Outlet Boxes	169



Flush Floor Shallow Screeds

Flush Floor Shallow Screeds

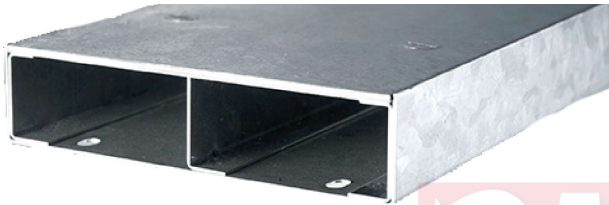
Flush Floor Trunking body is supplied in 2 metre lengths complete with 2 x 1 metre lengths of lid secured by means of flush all steel turnbuckle fasteners. Each length of Flytec trunking is supplied with one external fitting connector.

Lids are manufactured from 3mm thick Galvanised steel. They are fully removable and may be flush or recessed by 3mm as standard. Other depths of recess can also be supplied.

It is advisable that all lid sections are fitted during screeding. This will prevent any slight inward movement to the sides of trunking body.

Atkore Unistrut recommend that Flush Floor Trunking is installed on a ribbon screed or similar to ensure support along the entire length and width of the system.

D1 - Flush Screeds



150mm x 38mm **D1/615/2C**

150mm x 50mm **D1/62/2C**

D2 - Recessed Screed



150mm x 38mm **D2/615/2C**

150mm x 50mm **D2/62/2C**



228mm x 38mm **D1/915/3C**

228mm x 50mm **D1/92/2C**



228mm x 38mm **D2/915/3C**

228mm x 50mm **D2/92/2C**

How to order Flush Floor Trunking guide:

- To order Flush Floor Trunking, simply select the trunking (**D1** or **D2**), the size (see table below), and the compartment **2C** or **3C**

For example:

- D1 trunking, size 6x1 with 2 Compartments
- Take trunking reference **D1** + size **61** + 2 compartment **2C** to give **D1/61/2C**

Flush Floor Size Guide		
61 (6X1)	615 (6X1.5)	62 (6X2)
91 (9X1)	915 (9X1.5)	92 (9X2)
121 (12X1)	1215 (12X1.5)	122 (12X2)

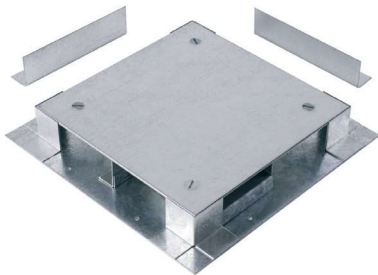
Flush Floor Shallow Screeds

Flush Floor Shallow Screeds

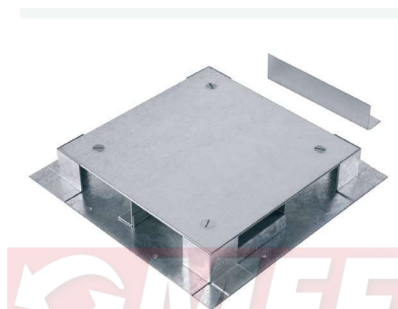
Service outlet boxes are available for shallow screed trunking.

- The underside of the box must be set lower into the floor to enable cables to pass under the socket outlet plates whilst maintaining lids to finish level with screed
- Carpet trim and lid assembly are manufactured in a tough plastic moulding which has two individual hinged cable outlets in dark grey
- The lid is reinforced by a 3mm steel plate.
- Carpet recess is 6mm

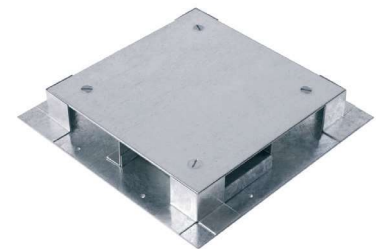
*Refer to page 161 for service boxes



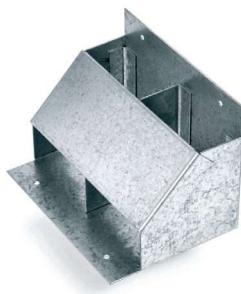
Angle Junction Box **ASL**



Tee Junction Box **AST**



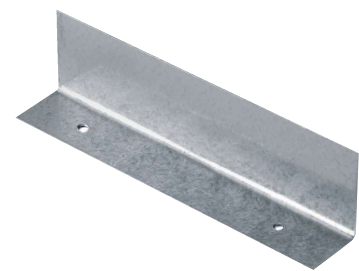
Crossover Junction Box **ASX**



Riser Bend **ISB**



Riser Bend (back entry) **ISB/BE**



Stop End **EC**

Flat Bends & Tees are available on request. Contact the team for more information.

How to order Flush Floor Trunking Accessories guide:

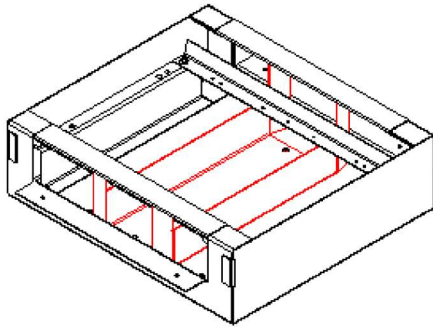
- To order Flush Floor Trunking Accessories or Junction Boxes, select the trunking (**D1** or **D2**), the size (see table on page 158), the compartment **2C** or **3C** and the accessory part code

For example:

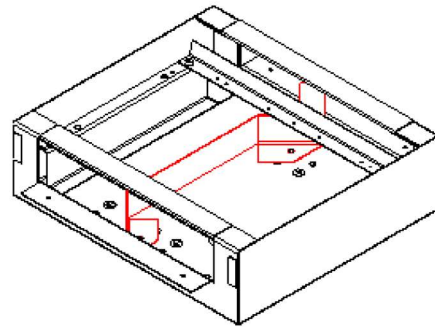
- **D1** Riser Bend size 6x1 with 2 Compartments
- Take trunking reference **D1** + size **61** + 2 compartment **2C** + **-ISB** to give **D1/61/2C-ISB**

Flush Floor Shallow Screens

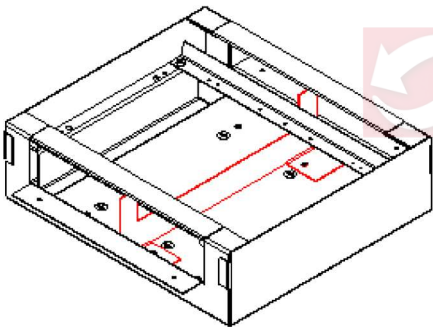
Flush Floor Service Boxes



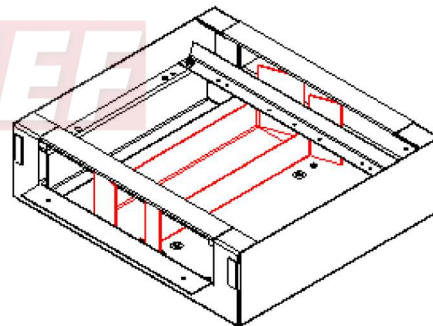
3/3 - 3 Compartment Service Box to suit 3 Compartment Trunking



3/2 - 3 Compartment Service Box to suit 2 Compartment Trunking

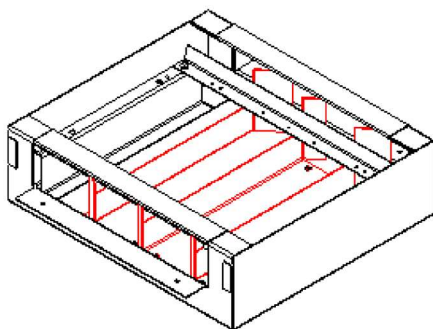


4/2 - 4 Compartment Service Box to suit 2 Compartment Trunking

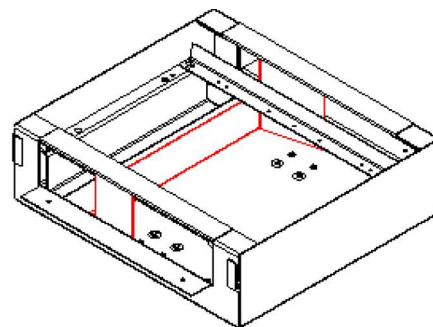


4/30C* - 4 Compartment Service Box to suit 3 Compartment Trunking

*OC = Off Centre



4/4 - 4 Compartment Service Box to suit 4 Compartment Trunking



4/20C* - 4 Compartment Service Box to suit 2 Compartment Trunking

*OC = Off Centre

*All sockets or variation of plates can be supplied on request.

Flush Floor Shallow Screens

Flush Floor Service Boxes

How to order Flush Floor Services Boxes guide:

- To order Flush Floor Service Boxes, select the trunking (**D1** or **D2**), the size (see table below), and the Service Box part code

For example:

- D1 3/2 Service Box in size 6x1
- Take trunking reference **D1** + size **61SB** + **- 3/2** to give **D1/61SB-3/2**

Flush Floor D1 & D2 Service Boxes

Trunking Style	Sizes
D1 or D2	61SB
D1 or D2	91SB
D1 or D2	121SB
D1 or D2	615SB
D1 or D2	915SB
D1 or D2	1215SB
D1 or D2	62SB
D1 or D2	92SB
D1 or D2	122SB

Service Boxes

3/2
3/3
4/2
4/2OC
4/3OC
4/4

Flush Floor Size Guide

61 (6X1)	615 (6X1.5)	62 (6X2)
91 (9X1)	915 (9X1.5)	92 (9X2)
121 (12X1)	1215 (12X1.5)	122 (12X2)





AMEF

Allied Tube & Conduit ▲ AFC Cable Systems ▲ Heritage Plastics ▲ Unistrut
Unistrut Construction ▲ Cope ▲ US Tray ▲ Calbrite ▲ Calbond ▲ Kaf-Tech
Power-Strut ▲ Calconduit ▲ Razor Ribbon ▲ Calpipe Security ▲ Vergokan ▲ Cii
Columbia-MBF ▲ Eastern Wire + Conduit ▲ ACS/Uni-Fab ▲ Sasco Strut ▲ Marco
FRE Composites ▲ Queen City Plastics ▲ Four Star Industries ▲ Flexicon

Atkore Unistrut & Marco
Delta Point,
Greets Green Road
West Bromwich
B70 9PL

PHONE/ +44 (0) 121 580 6300
FAX / +44 (0) 121 580 6370

atkore.com/marco
atkore.com/unistrut

