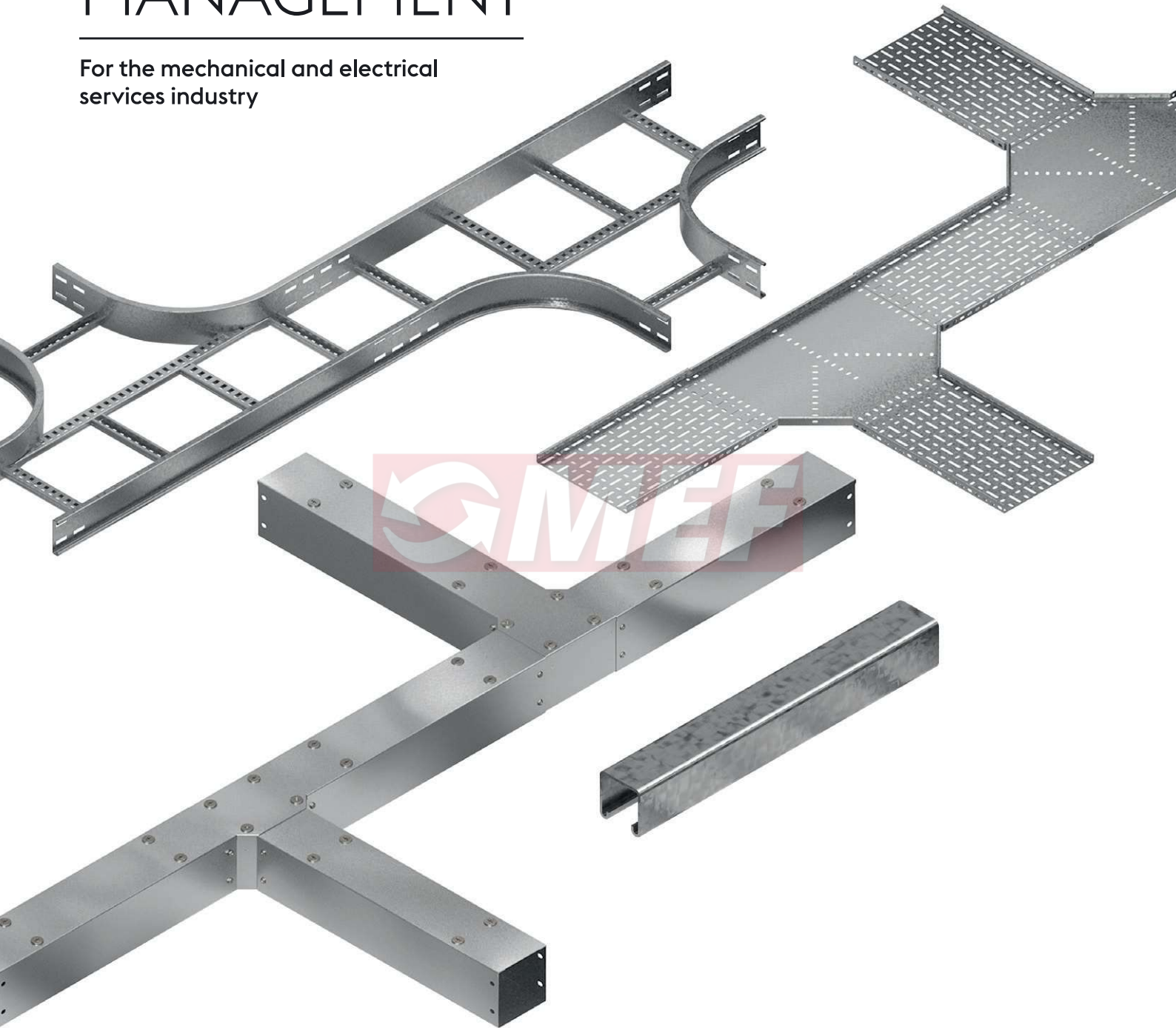
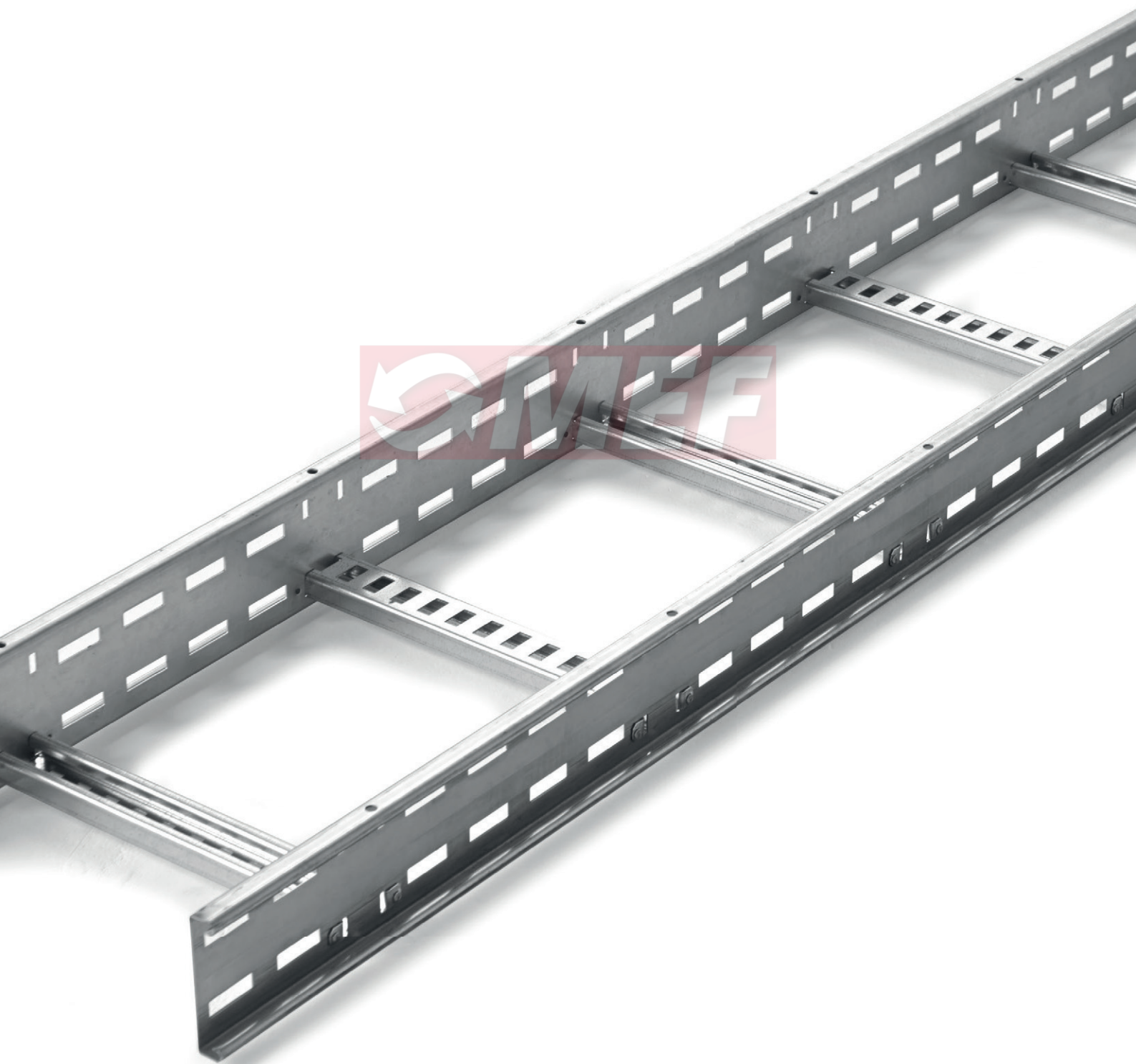


CABLE MANAGEMENT

For the mechanical and electrical
services industry







CABLE LADDER SYSTEMS

Post-galvanised and Stainless Steel Ladder
Pre-galvanised Ladder

CABLE LADDER SYSTEMS

Metsec cable ladder systems have been developed to provide cost effective solutions for the support of cables in a wide range of market sectors.

These sectors include:

- » Commercial
- » Education
- » Health
- » Oil and Gas
- » Petrochemical
- » Power Generation
- » Retail
- » Telecoms
- » Tunnels

The comprehensive Metsec cable ladder range consists of four systems commencing with the 50mm deep light duty, up to the 150mm deep extra heavy duty, all with a wide offering of accessories.

Slotted side rails whilst allowing easy connection to each other also allows site cut ladders to be connected generally without the need to drill. Additionally, Metsec cable ladders have an excellent strength to weight ratio providing a versatile approach to the support of cables.

For projects requiring long, straight runs of cable ladder, Metsec manufactures to order 6m lengths of straight ladder that speeds up the installation process and reduces the number of splice plates required for an even more cost effective solution. This would be particularly applicable to tunnel projects and large power stations or petrochemical installations.

Metsec is a leading manufacturer of cable ladder for not only the UK market, but also manufactures for export. European widths of cable ladder are available in increments of 100mm up to 900mm wide.

Rung configurations are traditionally with open faces alternately positioned up and down at 300mm centres. Cable ladders with rungs facing all down or all up are also available to order.

Offering comprehensive design solutions and flexible production through lean manufacturing principles, and with a very high on-time and in full delivery performance, Metsec has earned the reputation for its high level of service.

Development and testing

Metsec cable ladder systems have been developed in house and fully supported by independent testing.

Further verification testing has also been carried out under the requirements of BS EN 61537 – Cable Management – cable tray systems and cable ladder systems. These tests include: impact resistance, marking, connection of re-usable components, safe working load tests, electrical continuity, and performance of steel at extreme temperature ranges.



Load tables

Safe load tables are provided in a unique format for easy comparison and cost optimisation. Load tables assume an even distribution of load across the width of the ladder fixed in a horizontal plane, and that the loading is similar on at least two or more continuous spans. For non-uniform loads or spans/loadings outside the scope of the tables, please contact Metsec for advice.

Load	Type											
	50mm Deep			100mm Deep			125mm Deep			150mm Deep		
W	s	d	dp	s	d	dp	s	d	dp	s	d	dp
25	3.931	19.7	19.7	6	19.6	30	6	8.7	30	6	5.4	30
50	3.12	15.6	15.6	5.487	27.4	27.4	6	17.3	30	6	10.9	30
75	2.725	13.6	13.6	4.564	19.7	22.8	6	26	30	6	16.3	30
100	2.396	10.9	12	3.952	14.8	19.8	5.321	21.4	26.6	6	21.8	30
125	2.143	8.7	10.7	3.535	11.8	17.7	4.76	17.1	23.8	5.476	18.9	27.4
150	1.956	7.2	9.8	3.227	9.8	16.1	4.345	14.3	21.7	4.999	15.7	25
175	1.811	6.2	9.1	2.988	8.4	14.9	4.023	12.2	20.1	4.628	13.5	23.1
200	1.694	5.4	8.5	2.795	7.4	14	3.763	10.7	18.8	4.329	11.8	21.6
225	1.597	4.8	8	2.635	6.6	13.2	3.548	9.5	17.7	4.081	10.5	20.4
250	1.515	4.3	7.6	2.5	5.9	12.5	3.366	8.6	16.8	3.872	9.4	19.4
275	1.445	3.9	7.2	2.383	5.4	11.9	3.209	7.8	16	3.692	8.6	18.5
300	1.383	3.6	6.9	2.282	4.9	11.4	3.072	7.1	15.4	3.535	7.9	17.7

's' - maximum spacing of supports in metres
'd' - maximum deflection in end span in mm

'dp' - allowable deflection (span/200) in mm
'w' - safe working load in kg per linear metre

Example:

Load required = 100kg per linear metre

Options available:-

1. 50mm deep ladder will span up to a maximum of 2.396m with a deflection of 10.9mm
2. 100mm deep ladder will span up to a maximum of 3.952m with a deflection of 14.8mm
3. 125mm deep ladder will span up to a maximum of 5.321m with a deflection of 21.4mm
4. 150mm deep ladder will span up to a maximum of 6.000m with a deflection of 21.8mm

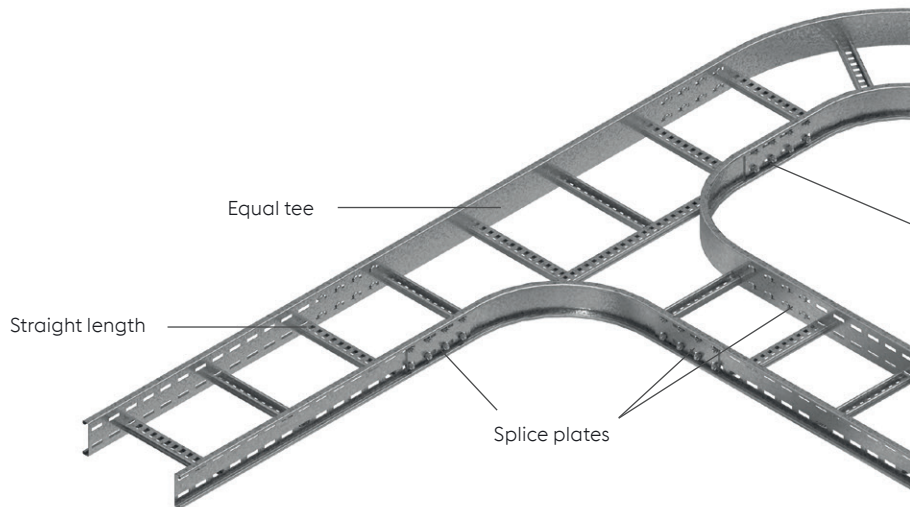


CABLE LADDER SYSTEMS

Post-galvanised and Stainless Steel Ladder

Metsec post-galvanised and stainless steel ladders are made using a welding process to ensure a strong and robust product. The welded products are then either galvanised or passivated, in the case of stainless steel, to ensure optimum corrosion performance. A full range of accessories are available as well as splice plates which come complete with M10 cup square bolts, shake proof washers and nuts.

When installing Metsec cable ladders, care should be taken to ensure the support is within 600mm of a joint. Accessories (e.g. bends, tees, crossovers etc.) should have adequate support. Additional support will be required for larger components.



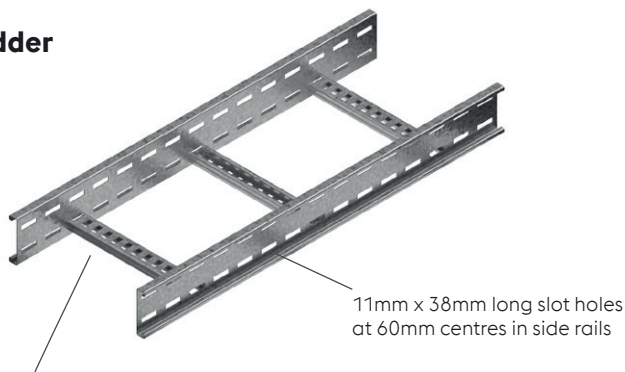
Technical construction details

Whilst rungs are alternately reversed as standard, other rung orientations can be produced to order. Additionally alternative widths are also available to meet the requirements of the European markets.

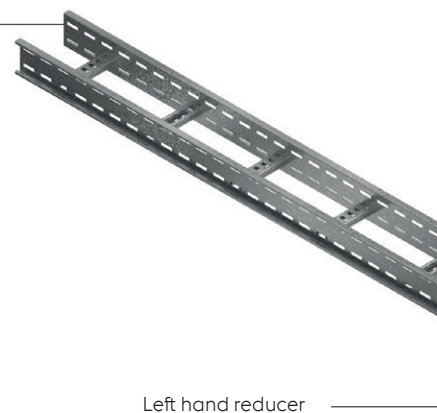


Straight length

Straight ladder

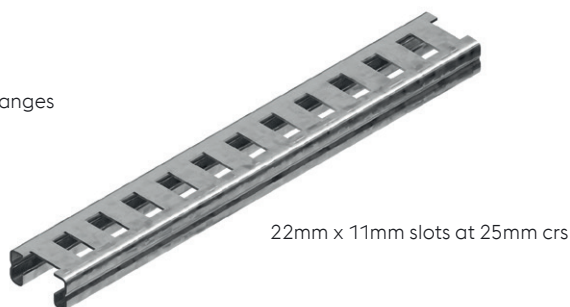


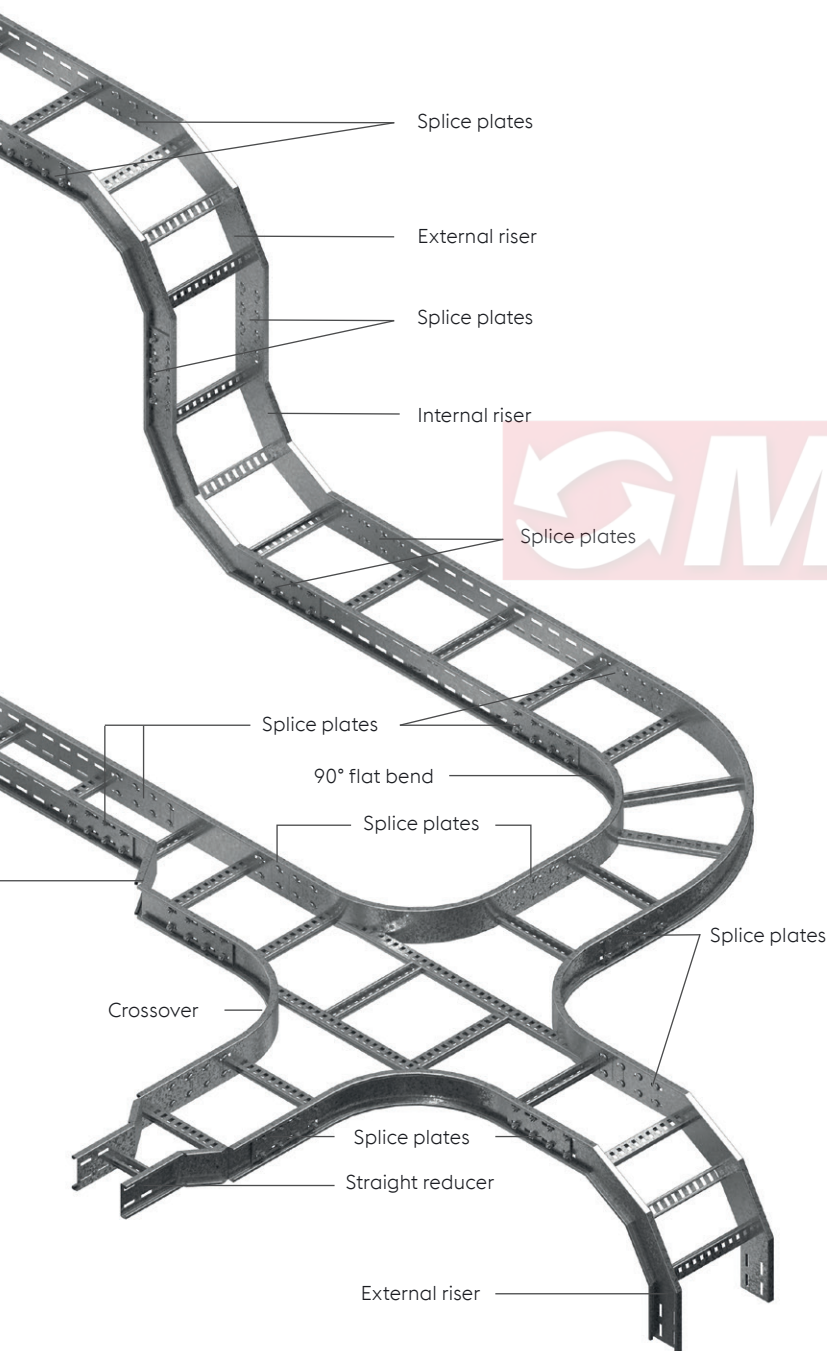
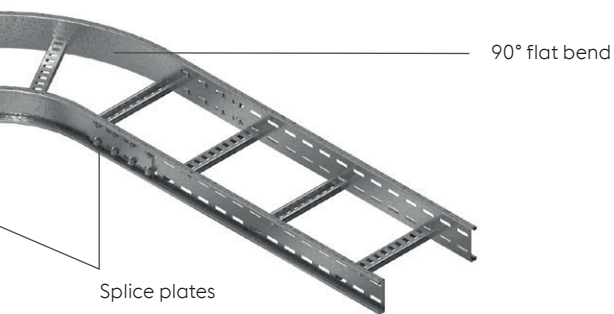
Rungs alternately reversed as standard at 300mm max. centres



Rung types

50, 100, 125 and 150mm deep ladder ranges
rung type: 41mm x 21mm channel





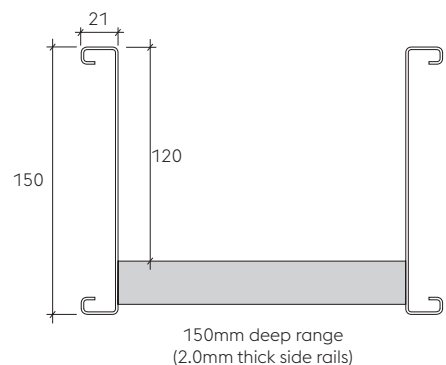
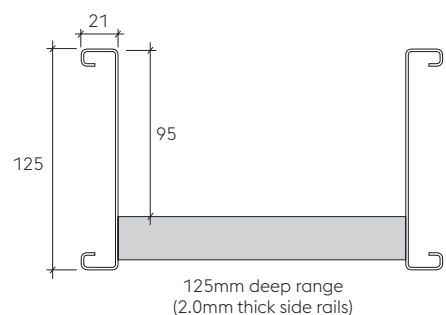
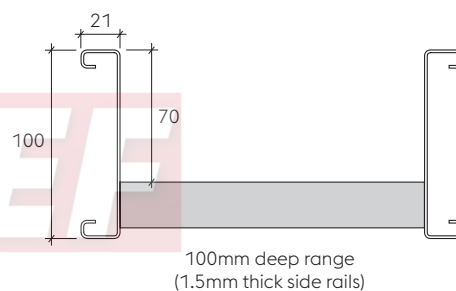
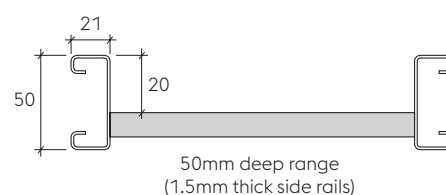
Materials and finishes

Materials and finishes available are mild steel hot dip galvanised after manufacture as standard and stainless steel grade 1.4404 (316L) to order.

Mild steel hot dip galvanised: manufactured from steel complying with BS EN 10025-2 and hot dip galvanised after manufacture to BS EN ISO 1461.

Stainless steel: manufactured from stainless steel grade 1.4404 (316L) complying with BS EN 10088-1 and BS EN 10088-2.

Ladder profiles



STANDARDS

Metsec cable ladder systems generally conform to BS EN 61537 Cable Management – cable tray systems and cable ladder systems

Information relating to compliance is detailed/[highlighted](#) within the following sections of the standard:

6 Classification

<p>6.1 6.1.1</p>	<p>According to material Metsec cable ladder systems are metallic system components</p>	<p>6.4 6.4.1</p>	<p>According to electrical conductivity Metsec cable ladder systems are electrically conductive system components</p>
<p>6.2 6.2.2</p>	<p>According to resistance to flame propagation Metsec cable ladder systems are non-flame propagating system components</p>	<p>6.5 6.5.2</p>	<p>According to resistance against corrosion Metsec cable ladder systems are made of steel with metallic finishes or stainless steel</p>
<p>6.3 6.3.2</p>	<p>According to electrical continuity characteristics Metsec cable ladder systems have electrical continuity characteristics</p>	<p>(Resistance to corrosion is classified according to Table 1, and follow the relevant specification in Table 8, with compliance according to Table 7.)</p>	



Table 1 – Classification for resistance against corrosion

Class	Reference – material and finish
0 (a)	None
1	Electroplated to a minimum thickness of 5 µm
2	Electroplated to a minimum thickness of 12 µm
3	Pre-galvanised to grade 275 to BS EN 10346
4	Pre-galvanised to grade 350 to EN 10346
5	Post-galvanised to a zinc mean coating thickness (minimum) of 45 µm according to BS EN ISO 1461 for zinc thickness only
6	Post-galvanised to a zinc mean coating thickness (minimum) of 55 µm according to ISO 1461 for zinc thickness only
7	Post-galvanised to a zinc mean coating thickness (minimum) of 70 µm according to ISO 1461 for zinc thickness only
8	Post-galvanised to a zinc mean coating thickness (minimum) of 85 µm according to ISO 1461 for zinc thickness only
9A	Stainless steel manufactured to ASTM: A 240/A 240M – 95a designation S30400 or EN 10088 grade 1 – 4301 without a post treatment (b)
9B	Stainless steel manufactured to ASTM: A 240/A 240M – 95a designation S31603 or EN 10088 grade 1 – 4404 without a post treatment (b)
9C	Stainless steel manufactured to ASTM: A 240/A 240M – 95a designation S30400 or EN 10088 grade 1 – 4301 with a post treatment (b)
9D	Stainless steel manufactured to ASTM: A 240/A 240M – 95a designation S31603 or EN 10088 grade 1 – 4404 with a post treatment (b)
(a)	For materials which have no declared corrosion resistance classification
(b)	The post-treatment process is used to improve the protection against crevice crack corrosion and the contamination by other steels

Table 7 – System component compliance and classification for resistance against corrosion

System component material and finishes	Classification according to	Compliance	Subclause for compliance check
Non-metallic	6.5.1	Declaration	14.2.1
Reference – zinc coating as in Table 1.	6.5.2 Table 1 classes 1 to 8	Declaration or measurement	14.2.2
Non-referenced zinc coating	6.5.2 Table 1 classes 1 to 8	By neutral salt spray test NSS	14.2.3
Reference – stainless steel as in Table 1.	6.5.2 Table 1 Class 9A to 9D	Declaration	14.2.2
Non-referenced stainless steel	Not classified	Declaration	None
Other metallic coatings	6.5.2 Table 1 Column 1 classes 1 to 8	By neutral salt spray test NSS	14.2.3
Aluminium alloys or other metals	6.5.3 Under consideration	Under consideration	14.2.4
Organic coatings	6.5.4 Under consideration	Under consideration	14.2.5

Table 8 – Zinc coating thickness of reference materials

Class	Minimum thickness	Minimum coating thickness as given in BS EN 10346	Mean coating thickness (minimum) to ISO 1461
	µm	µm	µm
0 (a)	-	-	-
1	5	-	-
2	12	-	-
3	-	13	-
4	-	17	-
5	-	-	45
6	-	-	55
7	-	-	70
8	-	-	85

a) As declared by the manufacturer or responsible vendor

- 6.6 According to temperature**
 6.6.1 Minimum temperature for the system components is given in Table 2.
 6.6.2 Maximum temperature for the system components is given in Table 3.
- 6.8 According to the free base area of the cable ladder length as given in Table 5.**
- 6.9 According to impact resistance**
 6.9.5 System component offering impact resistance up to 50 J (as verified by testing in accordance with 10.9 Test for impact resistance.)

Table 2 – Minimum temperature classification

Minimum transport, storage installation and application temperature °C
+5
- 5
- 15
- 20
- 40
- 50

Table 3 – Maximum temperature classification

Maximum transport, storage installation and application temperature °C
+40
+60
+90
+105
+120
+150

Table 5 – Free base area classification

Classification	Perforation in the free base area
X	Up to 80 %
Y	Over 80 % and up to 90 %
Z	More than 90 %

NB: Classification Z relates to IEC 60364 - 5 - 52 Subclause A.52.6.2 third paragraph

8 Dimensions

Key cross sectional dimensions for straight cable ladders

Part No	External depth mm	Internal depth mm	External width mm	Internal width mm	X-sectional area mm ²
LSL050/0150#	50	20	192	150	3000
LSL050/0300#	50	20	342	300	6000
LSL050/0450#	50	20	492	450	9000
LSL100/0150#	100	70	192	150	10500
LSL100/0300#	100	70	342	300	21000
LSL100/0450#	100	70	492	450	31500
LSL100/0600#	100	70	642	600	42000
LSL100/0750#	100	70	792	750	52500
LSL100/0900#	100	70	942	900	63000
LSL125/0150#	125	95	192	150	14250
LSL125/0300#	125	95	342	300	28500
LSL125/0450#	125	95	492	450	42750
LSL125/0600#	125	95	642	600	57000
LSL125/0750#	125	95	792	750	71250
LSL125/0900#	125	95	942	900	85500
LSL150/0150#	150	120	192	150	18000
LSL150/0300#	150	120	342	300	36000
LSL150/0450#	150	120	492	450	54000
LSL150/0600#	150	120	642	600	72000
LSL150/0750#	150	120	792	750	90000
LSL150/0900#	150	120	942	900	108000

Minimum internal radius of fittings

Minimal internal radius of fittings available for the accommodation of cables is 300 mm.

9 Construction

- 9.1 Surfaces of system components which are likely to come into contact with cables during installation are inspected to ensure they shall not cause damage to the cables when installed correctly.
- 9.2 As with all metallic system components, care should be exercised that handling is in accordance with the relative COSHH regulations and gloves should be worn.
- 9.3 Screwed connections have been designed to withstand the mechanical stresses occurring during installations and normal use and will not cause damage to cables when correctly inserted. Screwed connections are in general ISO metric threads fully compliant to tests in accordance with 9.3.1 and 9.3.2 of the standard. Metsec cable ladder systems are usually assembled using M10 cup square bolts and hex nuts with lock washers for couplers etc tightened to a torque of 45N/m. Other connections require M10 hex bolts for clamps etc tightened to a torque of 25N/m.

10 Mechanical Properties

Cable ladder lengths have been tested generally in accordance with the standard under 10.2 and 10.3 for verification of the loading graphs. It should be noted that independent testing has been carried out to verify the structural performance of the cable ladders at the minimum and maximum temperature classifications for test conditions under 10.2.2.

All accessories e.g. bends, tees etc should be directly supported by a suitable support device or devices at appropriate positions.

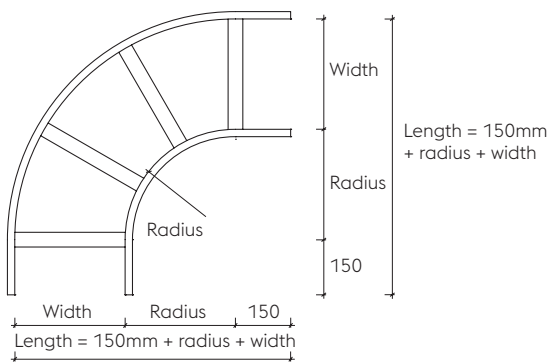


CABLE LADDER SYSTEMS

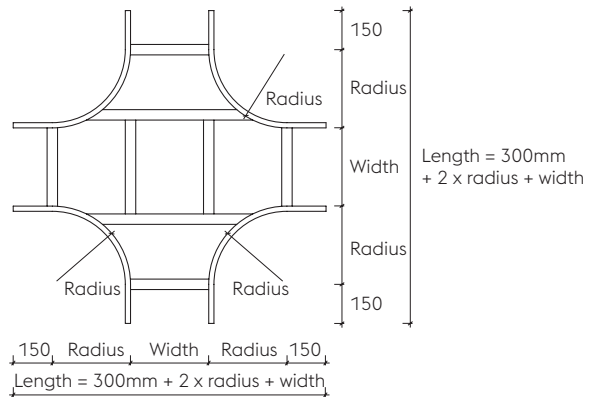
Accessory Footprint

Cable ladder – accessory foot print standard radius is 300mm

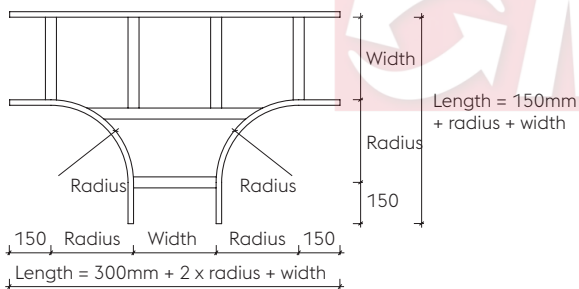
90° flat bend



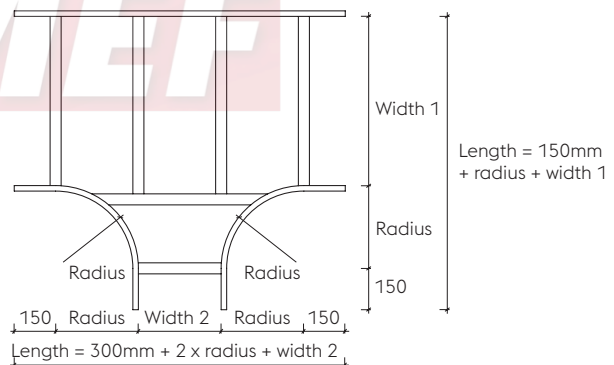
Crossover



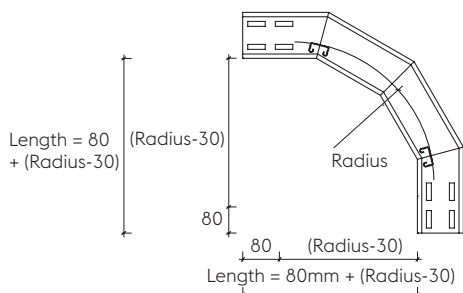
Equal tee



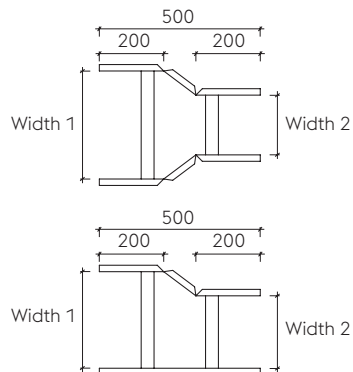
Unequal tee



90° riser



Straight or right/left hand reducer



Footprints are identical for all ranges

Straight Lengths

Light duty – 50mm deep

Finish: hot dip galvanised = HDG, substitute SS within part number for stainless steel grade 1.4404 (316L)

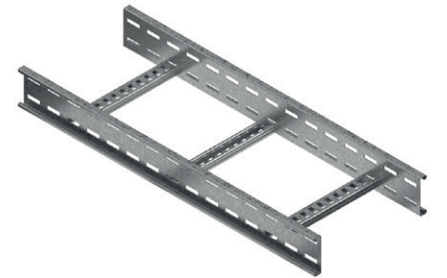
Width mm	3m Long	6m Long
150	LSL050/0150HDG/3	N/A
300	LSL050/0300HDG/3	N/A
450	LSL050/0450HDG/3	N/A



Medium duty – 100mm deep

Finish: hot dip galvanised = HDG, substitute SS within part number for stainless steel grade 1.4404 (316L)

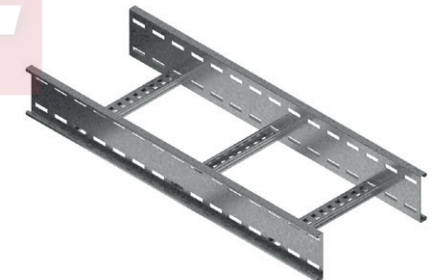
Width mm	3m Long	6m Long
150	LSL100/0150HDG/3	LSL100/0150HDG/6
300	LSL100/0300HDG/3	LSL100/0300HDG/6
450	LSL100/0450HDG/3	LSL100/0450HDG/6
600	LSL100/0600HDG/3	LSL100/0600HDG/6
750	LSL100/0750HDG/3	LSL100/0750HDG/6
900	LSL100/0900HDG/3	LSL100/0900HDG/6



Heavy duty – 125mm deep

Finish: hot dip galvanised = HDG, substitute SS within part number for stainless steel grade 1.4404 (316L)

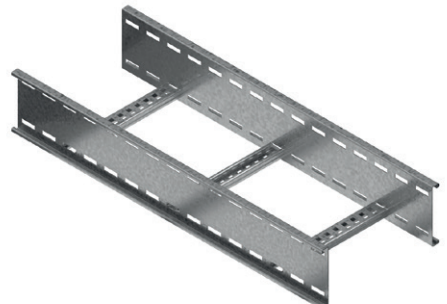
Width mm	3m Long	6m Long
150	LSL125/0150HDG/3	LSL125/0150HDG/6
300	LSL125/0300HDG/3	LSL125/0300HDG/6
450	LSL125/0450HDG/3	LSL125/0450HDG/6
600	LSL125/0600HDG/3	LSL125/0600HDG/6
750	LSL125/0750HDG/3	LSL125/0750HDG/6
900	LSL125/0900HDG/3	LSL125/0900HDG/6



Extra heavy duty – 150mm deep

Finish: hot dip galvanised = HDG, substitute SS within part number for stainless steel grade 1.4404 (316L)

Width mm	3m Long	6m Long
150	LSL150/0150HDG/3	LSL150/0150HDG/6
300	LSL150/0300HDG/3	LSL150/0300HDG/6
450	LSL150/0450HDG/3	LSL150/0450HDG/6
600	LSL150/0600HDG/3	LSL150/0600HDG/6
750	LSL150/0750HDG/3	LSL150/0750HDG/6
900	LSL150/0900HDG/3	LSL150/0900HDG/6



Flat Bends

90° flat bend

Standard radius 300mm = R300, other radii R450, R600, R750 and R900 (made to order).

Finish: hot dip galvanised = HDG, substitute SS within part number for stainless steel grade 1.4404 (316L)

Width mm	Light duty 50mm Deep	Medium duty 100mm Deep	Heavy duty 125mm Deep	Extra heavy duty 150mm Deep
150	LFB050/0150HDG/90R300	LFB100/0150HDG/90R300	LFB125/0150HDG/90R300	LFB150/0150HDG/90R300
300	LFB050/0300HDG/90R300	LFB100/0300HDG/90R300	LFB125/0300HDG/90R300	LFB150/0300HDG/90R300
450	LFB050/0450HDG/90R300	LFB100/0450HDG/90R300	LFB125/0450HDG/90R300	LFB150/0450HDG/90R300
600	N/A	LFB100/0600HDG/90R300	LFB125/0600HDG/90R300	LFB150/0600HDG/90R300
750	N/A	LFB100/0750HDG/90R300	LFB125/0750HDG/90R300	LFB150/0750HDG/90R300
900	N/A	LFB100/0900HDG/90R300	LFB125/0900HDG/90R300	LFB150/0900HDG/90R300



60° flat bend (made to order)

Standard radius 300mm = R300, other radii R450, R600, R750 and R900 (made to order).

Finish: hot dip galvanised = HDG, substitute SS within part number for stainless steel grade 1.4404 (316L)

Width mm	Light duty 50mm Deep	Medium duty 100mm Deep	Heavy duty 125mm Deep	Extra heavy duty 150mm Deep
150	LFB050/0150HDG/60R300	LFB100/0150HDG/60R300	LFB125/0150HDG/60R300	LFB150/0150HDG/60R300
300	LFB050/0300HDG/60R300	LFB100/0300HDG/60R300	LFB125/0300HDG/60R300	LFB150/0300HDG/60R300
450	LFB050/0450HDG/60R300	LFB100/0450HDG/60R300	LFB125/0450HDG/60R300	LFB150/0450HDG/60R300
600	N/A	LFB100/0600HDG/60R300	LFB125/0600HDG/60R300	LFB150/0600HDG/60R300
750	N/A	LFB100/0750HDG/60R300	LFB125/0750HDG/60R300	LFB150/0750HDG/60R300
900	N/A	LFB100/0900HDG/60R300	LFB125/0900HDG/60R300	LFB150/0900HDG/60R300



45° flat bend (made to order)

Standard radius 300mm = R300, other radii R450, R600, R750 and R900 (made to order).

Finish: hot dip galvanised = HDG, substitute SS within part number for stainless steel grade 1.4404 (316L)

Width mm	Light duty 50mm Deep	Medium duty 100mm Deep	Heavy duty 125mm Deep	Extra heavy duty 150mm Deep
150	LFB050/0150HDG/45R300	LFB100/0150HDG/45R300	LFB125/0150HDG/45R300	LFB150/0150HDG/45R300
300	LFB050/0300HDG/45R300	LFB100/0300HDG/45R300	LFB125/0300HDG/45R300	LFB150/0300HDG/45R300
450	LFB050/0450HDG/45R300	LFB100/0450HDG/45R300	LFB125/0450HDG/45R300	LFB150/0450HDG/45R300
600	N/A	LFB100/0600HDG/45R300	LFB125/0600HDG/45R300	LFB150/0600HDG/45R300
750	N/A	LFB100/0750HDG/45R300	LFB125/0750HDG/45R300	LFB150/0750HDG/45R300
900	N/A	LFB100/0900HDG/45R300	LFB125/0900HDG/45R300	LFB150/0900HDG/45R300



30° flat bend (made to order)

Standard radius 300mm = R300, other radii R450, R600, R750 and R900 (made to order).

Finish: hot dip galvanised = HDG, substitute SS within part number for stainless steel grade 1.4404 (316L)

Width mm	Light duty 50mm Deep	Medium duty 100mm Deep	Heavy duty 125mm Deep	Extra heavy duty 150mm Deep
150	LFB050/0150HDG/30R300	LFB100/0150HDG/30R300	LFB125/0150HDG/30R300	LFB150/0150HDG/30R300
300	LFB050/0300HDG/30R300	LFB100/0300HDG/30R300	LFB125/0300HDG/30R300	LFB150/0300HDG/30R300
450	LFB050/0450HDG/30R300	LFB100/0450HDG/30R300	LFB125/0450HDG/30R300	LFB150/0450HDG/30R300
600	N/A	LFB100/0600HDG/30R300	LFB125/0600HDG/30R300	LFB150/0600HDG/30R300
750	N/A	LFB100/0750HDG/30R300	LFB125/0750HDG/30R300	LFB150/0750HDG/30R300
900	N/A	LFB100/0900HDG/30R300	LFB125/0900HDG/30R300	LFB150/0900HDG/30R300



Tees & Crossovers

Equal tee

Standard radius 300mm = R300, other radii R450, R600, R750 and R900 (made to order).

Finish: hot dip galvanised = HDG, substitute SS within part number for stainless steel grade 1.4404 (316L)

Width mm	Light duty 50mm Deep	Medium duty 100mm Deep	Heavy duty 125mm Deep	Extra heavy duty 150mm Deep
150	LET050/0150HDGR300	LET100/0150HDGR300	LET125/0150HDGR300	LET150/0150HDGR300
300	LET050/0300HDGR300	LET100/0300HDGR300	LET125/0300HDGR300	LET150/0300HDGR300
450	LET050/0450HDGR300	LET100/0450HDGR300	LET125/0450HDGR300	LET150/0450HDGR300
600	N/A	LET100/0600HDGR300	LET125/0600HDGR300	LET150/0600HDGR300
750	N/A	LET100/0750HDGR300	LET125/0750HDGR300	LET150/0750HDGR300
900	N/A	LET100/0900HDGR300	LET125/0900HDGR300	LET150/0900HDGR300



Unequal tee (made to order)

Standard radius 300mm = R300, other radii R450, R600, R750 and R900.

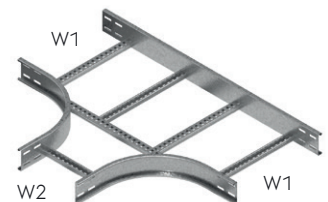
Finish: hot dip galvanised = HDG, substitute SS within part number for stainless steel grade 1.4404 (316L)

How to generate the part number – LUT (depth)/W1/W2(finish) (radius)

Example – LUT100/0300/0150HDGR300

Table below shows a complete list of W1 and W2 combinations.

W1	W2
150	300, 450, 600, 750, 900
300	150, 450, 600, 750, 900
450	150, 300, 600, 750, 900
600	150, 300, 450, 750, 900
750	150, 300, 450, 600, 900
900	150, 300, 450, 600, 750



Crossovers (made to order)

Standard radius 300mm = R300, other radii R450, R600, R750 and R900 (made to order).

Finish: hot dip galvanised = HDG, substitute SS within part number for stainless steel grade 1.4404 (316L)

Width mm	Light duty 50mm Deep	Medium duty 100mm Deep	Heavy duty 125mm Deep	Extra heavy duty 150mm Deep
150	LCO050/0150HDGR300	LCO100/0150HDGR300	LCO125/0150HDGR300	LCO150/0150HDGR300
300	LCO050/0300HDGR300	LCO100/0300HDGR300	LCO125/0300HDGR300	LCO150/0300HDGR300
450	LCO050/0450HDGR300	LCO100/0450HDGR300	LCO125/0450HDGR300	LCO150/0450HDGR300
600	N/A	LCO100/0600HDGR300	LCO125/0600HDGR300	LCO150/0600HDGR300
750	N/A	LCO100/0750HDGR300	LCO125/0750HDGR300	LCO150/0750HDGR300
900	N/A	LCO100/0900HDGR300	LCO125/0900HDGR300	LCO150/0900HDGR300

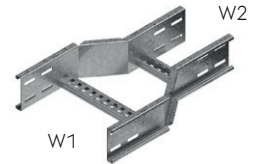


Reducers

Straight reducer (made to order)

Finish: hot dip galvanised = HDG, substitute SS within part number for stainless steel grade 1.4404 (316L)

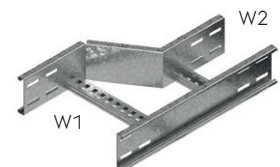
Width mm		Light duty 50mm Deep	Medium duty 100mm Deep	Heavy duty 125mm Deep	Extra heavy duty 150mm Deep
W1	W2				
300	150	LSR050/0300/0150HDG	LSR100/0300/0150HDG	LSR125/0300/0150HDG	LSR150/0300/0150HDG
450	150	LSR050/0450/0150HDG	LSR100/0450/0150HDG	LSR125/0450/0150HDG	LSR150/0450/0150HDG
600	150	N/A	LSR100/0600/0150HDG	LSR125/0600/0150HDG	LSR150/0600/0150HDG
750	150	N/A	LSR100/0750/0150HDG	LSR125/0750/0150HDG	LSR150/0750/0150HDG
900	150	N/A	LSR100/0900/0150HDG	LSR125/0900/0150HDG	LSR150/0900/0150HDG
450	300	LSR050/0450/0300HDG	LSR100/0450/0300HDG	LSR125/0450/0300HDG	LSR150/0450/0300HDG
600	300	N/A	LSR100/0600/0300HDG	LSR125/0600/0300HDG	LSR150/0600/0300HDG
750	300	N/A	LSR100/0750/0300HDG	LSR125/0750/0300HDG	LSR150/0750/0300HDG
900	300	N/A	LSR100/0900/0300HDG	LSR125/0900/0300HDG	LSR150/0900/0300HDG
600	450	N/A	LSR100/0600/0450HDG	LSR125/0600/0450HDG	LSR150/0600/0450HDG
750	450	N/A	LSR100/0750/0450HDG	LSR125/0750/0450HDG	LSR150/0750/0450HDG
900	450	N/A	LSR100/0900/0450HDG	LSR125/0900/0450HDG	LSR150/0900/0450HDG
750	600	N/A	LSR100/0750/0600HDG	LSR125/0750/0600HDG	LSR150/0750/0600HDG
900	600	N/A	LSR100/0900/0600HDG	LSR125/0900/0600HDG	LSR150/0900/0600HDG
900	750	N/A	LSR100/0900/0750HDG	LSR125/0900/0750HDG	LSR150/0900/0750HDG



Left hand reducer (made to order)

Finish: hot dip galvanised = HDG, substitute SS within part number for stainless steel grade 1.4404 (316L)

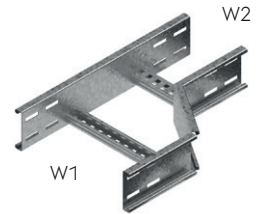
Width mm		Light duty 50mm Deep	Medium duty 100mm Deep	Heavy duty 125mm Deep	Extra heavy duty 150mm Deep
W1	W2				
300	150	LLR050/0300/0150HDG	LLR100/0300/0150HDG	LLR125/0300/0150HDG	LLR150/0300/0150HDG
450	150	LLR050/0450/0150HDG	LLR100/0450/0150HDG	LLR125/0450/0150HDG	LLR150/0450/0150HDG
600	150	N/A	LLR100/0600/0150HDG	LLR125/0600/0150HDG	LLR150/0600/0150HDG
750	150	N/A	LLR100/0750/0150HDG	LLR125/0750/0150HDG	LLR150/0750/0150HDG
900	150	N/A	LLR100/0900/0150HDG	LLR125/0900/0150HDG	LLR150/0900/0150HDG
450	300	LLR050/0450/0300HDG	LLR100/0450/0300HDG	LLR125/0450/0300HDG	LLR150/0450/0300HDG
600	300	N/A	LLR100/0600/0300HDG	LLR125/0600/0300HDG	LLR150/0600/0300HDG
750	300	N/A	LLR100/0750/0300HDG	LLR125/0750/0300HDG	LLR150/0750/0300HDG
900	300	N/A	LLR100/0900/0300HDG	LLR125/0900/0300HDG	LLR150/0900/0300HDG
600	450	N/A	LLR100/0600/0450HDG	LLR125/0600/0450HDG	LLR150/0600/0450HDG
750	450	N/A	LLR100/0750/0450HDG	LLR125/0750/0450HDG	LLR150/0750/0450HDG
900	450	N/A	LLR100/0900/0450HDG	LLR125/0900/0450HDG	LLR150/0900/0450HDG
750	600	N/A	LLR100/0750/0600HDG	LLR125/0750/0600HDG	LLR150/0750/0600HDG
900	600	N/A	LLR100/0900/0600HDG	LLR125/0900/0600HDG	LLR150/0900/0600HDG
900	750	N/A	LLR100/0900/0750HDG	LLR125/0900/0750HDG	LLR150/0900/0750HDG



Right hand reducer (made to order)

Finish: hot dip galvanised = HDG, substitute SS within part number for stainless steel grade 1.4404 (316L)

Width mm		Light duty 50mm Deep	Medium duty 100mm Deep	Heavy duty 125mm Deep	Extra heavy duty 150mm Deep
W1	W2				
300	150	LRR050/0300/0150HDG	LRR100/0300/0150HDG	LRR125/0300/0150HDG	LRR150/0300/0150HDG
450	150	LRR050/0450/0150HDG	LRR100/0450/0150HDG	LRR125/0450/0150HDG	LRR150/0450/0150HDG
600	150	N/A	LRR100/0600/0150HDG	LRR125/0600/0150HDG	LRR150/0600/0150HDG
750	150	N/A	LRR100/0750/0150HDG	LRR125/0750/0150HDG	LRR150/0750/0150HDG
900	150	N/A	LRR100/0900/0150HDG	LRR125/0900/0150HDG	LRR150/0900/0150HDG
450	300	LRR050/0450/0300HDG	LRR100/0450/0300HDG	LRR125/0450/0300HDG	LRR150/0450/0300HDG
600	300	N/A	LRR100/0600/0300HDG	LRR125/0600/0300HDG	LRR150/0600/0300HDG
750	300	N/A	LRR100/0750/0300HDG	LRR125/0750/0300HDG	LRR150/0750/0300HDG
900	300	N/A	LRR100/0900/0300HDG	LRR125/0900/0300HDG	LRR150/0900/0300HDG
600	450	N/A	LRR100/0600/0450HDG	LRR125/0600/0450HDG	LRR150/0600/0450HDG
750	450	N/A	LRR100/0750/0450HDG	LRR125/0750/0450HDG	LRR150/0750/0450HDG
900	450	N/A	LRR100/0900/0450HDG	LRR125/0900/0450HDG	LRR150/0900/0450HDG
750	600	N/A	LRR100/0750/0600HDG	LRR125/0750/0600HDG	LRR150/0750/0600HDG
900	600	N/A	LRR100/0900/0600HDG	LRR125/0900/0600HDG	LRR150/0900/0600HDG
900	750	N/A	LRR100/0900/0750HDG	LRR125/0900/0750HDG	LRR150/0900/0750HDG



Risers

90° external riser

Standard radius 300mm = R300, other radii R450, R600, R750 and R900 (made to order).

Finish: hot dip galvanised = HDG, substitute SS within part number for stainless steel grade 1.4404 (316L)

Width mm	Light duty 50mm Deep	Medium duty 100mm Deep	Heavy duty 125mm Deep	Extra heavy duty 150mm Deep
150	LER050/0150HDG/90R300	LER100/0150HDG/90R300	LER125/0150HDG/90R300	LER150/0150HDG/90R300
300	LER050/0300HDG/90R300	LER100/0300HDG/90R300	LER125/0300HDG/90R300	LER150/0300HDG/90R300
450	LER050/0450HDG/90R300	LER100/0450HDG/90R300	LER125/0450HDG/90R300	LER150/0450HDG/90R300
600	N/A	LER100/0600HDG/90R300	LER125/0600HDG/90R300	LER150/0600HDG/90R300
750	N/A	LER100/0750HDG/90R300	LER125/0750HDG/90R300	LER150/0750HDG/90R300
900	N/A	LER100/0900HDG/90R300	LER125/0900HDG/90R300	LER150/0900HDG/90R300



60° external riser (made to order)

Standard radius 300mm = R300, other radii R450, R600, R750 and R900 (made to order).

Finish: hot dip galvanised = HDG, substitute SS within part number for stainless steel grade 1.4404 (316L)

Width mm	Light duty 50mm Deep	Medium duty 100mm Deep	Heavy duty 125mm Deep	Extra heavy duty 150mm Deep
150	LER050/0150HDG/60R300	LER100/0150HDG/60R300	LER125/0150HDG/60R300	LER150/0150HDG/60R300
300	LER050/0300HDG/60R300	LER100/0300HDG/60R300	LER125/0300HDG/60R300	LER150/0300HDG/60R300
450	LER050/0450HDG/60R300	LER100/0450HDG/60R300	LER125/0450HDG/60R300	LER150/0450HDG/60R300
600	N/A	LER100/0600HDG/60R300	LER125/0600HDG/60R300	LER150/0600HDG/60R300
750	N/A	LER100/0750HDG/60R300	LER125/0750HDG/60R300	LER150/0750HDG/60R300
900	N/A	LER100/0900HDG/60R300	LER125/0900HDG/60R300	LER150/0900HDG/60R300

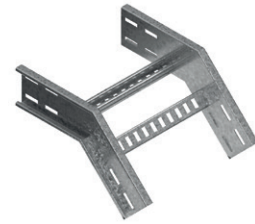


45° external riser (made to order)

Standard radius 300mm = R300, other radii R450, R600, R750 and R900 (made to order).

Finish: hot dip galvanised = HDG, substitute SS within part number for stainless steel grade 1.4404 (316L)

Width mm	Light duty 50mm Deep	Medium duty 100mm Deep	Heavy duty 125mm Deep	Extra heavy duty 150mm Deep
150	LER050/0150HDG/45R300	LER100/0150HDG/45R300	LER125/0150HDG/45R300	LER150/0150HDG/45R300
300	LER050/0300HDG/45R300	LER100/0300HDG/45R300	LER125/0300HDG/45R300	LER150/0300HDG/45R300
450	LER050/0450HDG/45R300	LER100/0450HDG/45R300	LER125/0450HDG/45R300	LER150/0450HDG/45R300
600	N/A	LER100/0600HDG/45R300	LER125/0600HDG/45R300	LER150/0600HDG/45R300
750	N/A	LER100/0750HDG/45R300	LER125/0750HDG/45R300	LER150/0750HDG/45R300
900	N/A	LER100/0900HDG/45R300	LER125/0900HDG/45R300	LER150/0900HDG/45R300



30° external riser (made to order)

Standard radius 300mm = R300, other radii R450, R600, R750 and R900 (made to order).

Finish: hot dip galvanised = HDG, substitute SS within part number for stainless steel grade 1.4404 (316L)

Width mm	Light duty 50mm Deep	Medium duty 100mm Deep	Heavy duty 125mm Deep	Extra heavy duty 150mm Deep
150	LER050/0150HDG/30R300	LER100/0150HDG/30R300	LER125/0150HDG/30R300	LER150/0150HDG/30R300
300	LER050/0300HDG/30R300	LER100/0300HDG/30R300	LER125/0300HDG/30R300	LER150/0300HDG/30R300
450	LER050/0450HDG/30R300	LER100/0450HDG/30R300	LER125/0450HDG/30R300	LER150/0450HDG/30R300
600	N/A	LER100/0600HDG/30R300	LER125/0600HDG/30R300	LER150/0600HDG/30R300
750	N/A	LER100/0750HDG/30R300	LER125/0750HDG/30R300	LER150/0750HDG/30R300
900	N/A	LER100/0900HDG/30R300	LER125/0900HDG/30R300	LER150/0900HDG/30R300



90° internal riser

Standard radius 300mm = R300, other radii R450, R600, R750 and R900 (made to order).

Finish: hot dip galvanised = HDG, substitute SS within part number for stainless steel grade 1.4404 (316L)

Width mm	Light duty 50mm Deep	Medium duty 100mm Deep	Heavy duty 125mm Deep	Extra heavy duty 150mm Deep
150	LIR050/0150HDG/90R300	LIR100/0150HDG/90R300	LIR125/0150HDG/90R300	LIR150/0150HDG/90R300
300	LIR050/0300HDG/90R300	LIR100/0300HDG/90R300	LIR125/0300HDG/90R300	LIR150/0300HDG/90R300
450	LIR050/0450HDG/90R300	LIR100/0450HDG/90R300	LIR125/0450HDG/90R300	LIR150/0450HDG/90R300
600	N/A	LIR100/0600HDG/90R300	LIR125/0600HDG/90R300	LIR150/0600HDG/90R300
750	N/A	LIR100/0750HDG/90R300	LIR125/0750HDG/90R300	LIR150/0750HDG/90R300
900	N/A	LIR100/0900HDG/90R300	LIR125/0900HDG/90R300	LIR150/0900HDG/90R300

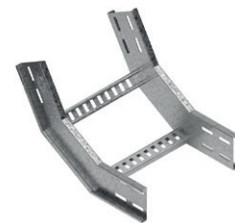


60° internal riser (made to order)

Standard radius 300mm = R300, other radii R450, R600, R750 and R900 (made to order).

Finish: hot dip galvanised = HDG, substitute SS within part number for stainless steel grade 1.4404 (316L)

Width mm	Light duty 50mm Deep	Medium duty 100mm Deep	Heavy duty 125mm Deep	Extra heavy duty 150mm Deep
150	LIR050/0150HDG/60R300	LIR100/0150HDG/60R300	LIR125/0150HDG/60R300	LIR150/0150HDG/60R300
300	LIR050/0300HDG/60R300	LIR100/0300HDG/60R300	LIR125/0300HDG/60R300	LIR150/0300HDG/60R300
450	LIR050/0450HDG/60R300	LIR100/0450HDG/60R300	LIR125/0450HDG/60R300	LIR150/0450HDG/60R300
600	N/A	LIR100/0600HDG/60R300	LIR125/0600HDG/60R300	LIR150/0600HDG/60R300
750	N/A	LIR100/0750HDG/60R300	LIR125/0750HDG/60R300	LIR150/0750HDG/60R300
900	N/A	LIR100/0900HDG/60R300	LIR125/0900HDG/60R300	LIR150/0900HDG/60R300

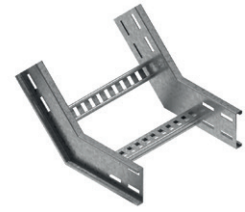


45° internal riser (made to order)

Standard radius 300mm = R300, other radii R450, R600, R750 and R900 (made to order).

Finish: hot dip galvanised = HDG, substitute SS within part number for stainless steel grade 1.4404 (316L)

Width mm	Light duty 50mm Deep	Medium duty 100mm Deep	Heavy duty 125mm Deep	Extra heavy duty 150mm Deep
150	LIR050/0150HDG/45R300	LIR100/0150HDG/45R300	LIR125/0150HDG/45R300	LIR150/0150HDG/45R300
300	LIR050/0300HDG/45R300	LIR100/0300HDG/45R300	LIR125/0300HDG/45R300	LIR150/0300HDG/45R300
450	LIR050/0450HDG/45R300	LIR100/0450HDG/45R300	LIR125/0450HDG/45R300	LIR150/0450HDG/45R300
600	N/A	LIR100/0600HDG/45R300	LIR125/0600HDG/45R300	LIR150/0600HDG/45R300
750	N/A	LIR100/0750HDG/45R300	LIR125/0750HDG/45R300	LIR150/0750HDG/45R300
900	N/A	LIR100/0900HDG/45R300	LIR125/0900HDG/45R300	LIR150/0900HDG/45R300

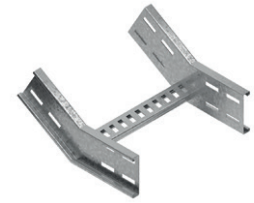


30° internal riser (made to order)

Standard radius 300mm = R300, other radii R450, R600, R750 and R900 (made to order).

Finish: hot dip galvanised = HDG, substitute SS within part number for stainless steel grade 1.4404 (316L)

Width mm	Light duty 50mm Deep	Medium duty 100mm Deep	Heavy duty 125mm Deep	Extra heavy duty 150mm Deep
150	LIR050/0150HDG/30R300	LIR100/0150HDG/30R300	LIR125/0150HDG/30R300	LIR150/0150HDG/30R300
300	LIR050/0300HDG/30R300	LIR100/0300HDG/30R300	LIR125/0300HDG/30R300	LIR150/0300HDG/30R300
450	LIR050/0450HDG/30R300	LIR100/0450HDG/30R300	LIR125/0450HDG/30R300	LIR150/0450HDG/30R300
600	N/A	LIR100/0600HDG/30R300	LIR125/0600HDG/30R300	LIR150/0600HDG/30R300
750	N/A	LIR100/0750HDG/30R300	LIR125/0750HDG/30R300	LIR150/0750HDG/30R300
900	N/A	LIR100/0900HDG/30R300	LIR125/0900HDG/30R300	LIR150/0900HDG/30R300



Articulated riser (made to order)

Finish: hot dip galvanised = HDG, substitute SS within part number for stainless steel grade 1.4404 (316L)

Width mm	Light duty 50mm Deep	Medium duty 100mm Deep	Heavy duty 125mm Deep	Extra heavy duty 150mm Deep
150	N/A	L/AR100/0150HDG	L/AR125/0150HDG	L/AR150/0150HDG
300	N/A	L/AR100/0300HDG	L/AR125/0300HDG	L/AR150/0300HDG
450	N/A	L/AR100/0450HDG	L/AR125/0450HDG	L/AR150/0450HDG
600	N/A	L/AR100/0600HDG	L/AR125/0600HDG	L/AR150/0600HDG
750	N/A	L/AR100/0750HDG	L/AR125/0750HDG	L/AR150/0750HDG
900	N/A	L/AR100/0900HDG	L/AR125/0900HDG	L/AR150/0900HDG



Covers

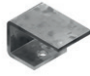

Straight length covers – 1.5mm long (made to order)

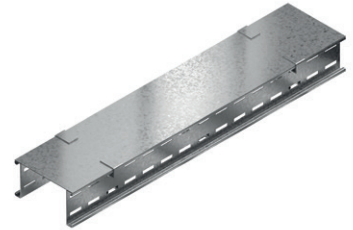
Finish: hot dip galvanised = HDG, substitute SS within part number for stainless steel grade 1.4404 (316L)

Standard closed covers = C, ventilated cover = CV

Includes fixing clamps and fasteners, 2 covers required for 3m ladder, 4 covers for 6m ladder

Width mm	
150	LSLC/0150HDG/1.5
300	LSLC/0300HDG/1.5
450	LSLC/0450HDG/1.5
600	LSLC/0600HDG/1.5
750	LSLC/0750HDG/1.5
900	LSLC/0900HDG/1.5

Extra fixing clamps Pack of 10 (includes fasteners)	
Closed cover clip	
L/CCC	
Ventilated cover clip	
L/CCV	



90° flat bend covers (made to order)

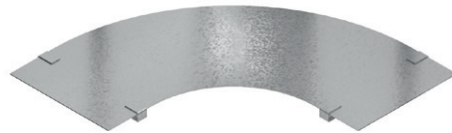
Standard radius 300mm = R300, other radii R450, R600, R750 and R900 (made to order).

Finish: hot dip galvanised = HDG, substitute SS within part number for stainless steel grade 1.4404 (316L)

Standard closed covers = C, ventilated cover = CV

Includes fixing clamps and fasteners

Width mm	
150	LFBC/0150HDG/90R300
300	LFBC/0300HDG/90R300
450	LFBC/0450HDG/90R300
600	LFBC/0600HDG/90R300
750	LFBC/0750HDG/90R300
900	LFBC/0900HDG/90R300



60° flat bend covers (made to order)

Standard radius 300mm = R300, other radii R450, R600, R750 and R900 (made to order).

Finish: hot dip galvanised = HDG, substitute SS within part number for stainless steel grade 1.4404 (316L)

Standard closed covers = C, ventilated cover = CV

Includes fixing clamps and fasteners

Width mm	
150	LFBC/0150HDG/60R300
300	LFBC/0300HDG/60R300
450	LFBC/0450HDG/60R300
600	LFBC/0600HDG/60R300
750	LFBC/0750HDG/60R300
900	LFBC/0900HDG/60R300



45° flat bend covers (made to order)

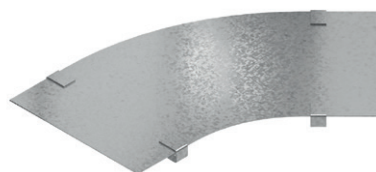
Standard radius 300mm = R300, other radii R450, R600, R750 and R900 (made to order).

Finish: hot dip galvanised = HDG, substitute SS within part number for stainless steel grade 1.4404 (316L)

Standard closed covers = C, ventilated cover = CV

Includes fixing clamps and fasteners

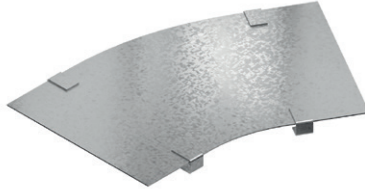
Width mm	
150	LFBC/0150HDG/45R300
300	LFBC/0300HDG/45R300
450	LFBC/0450HDG/45R300
600	LFBC/0600HDG/45R300
750	LFBC/0750HDG/45R300
900	LFBC/0900HDG/45R300



30° flat bend covers (made to order)

Standard radius 300mm = R300, other radii R450, R600, R750 and R900 (made to order).
 Finish: hot dip galvanised = HDG, substitute SS within part number for stainless steel grade 1.4404 (316L)
 Standard closed covers = C, ventilated cover = CV
 Includes fixing clamps and fasteners

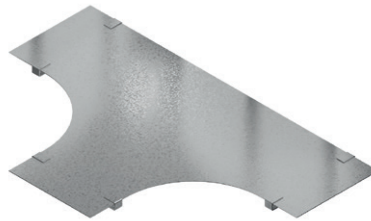
Width mm	
150	LFBC/0150HDG/30R300
300	LFBC/0300HDG/30R300
450	LFBC/0450HDG/30R300
600	LFBC/0600HDG/30R300
750	LFBC/0750HDG/30R300
900	LFBC/0900HDG/30R300



Equal tee covers (made to order)

Standard radius 300mm = R300, other radii R450, R600, R750 and R900 (made to order).
 Finish: hot dip galvanised = HDG, substitute SS within part number for stainless steel grade 1.4404 (316L)
 Standard closed covers = C, ventilated cover = CV
 Includes fixing clamps and fasteners

Width mm	
150	LETC/0150HDGR300
300	LETC/0300HDGR300
450	LETC/0450HDGR300
600	LETC/0600HDGR300
750	LETC/0750HDGR300
900	LETC/0900HDGR300



Unequal tee covers (made to order)

Standard radius 300mm = R300, other radii R450, R600, R750 and R900.
 Finish: hot dip galvanised = HDG, substitute SS within part number for stainless steel grade 1.4404 (316L)
 Standard closed covers = C, ventilated cover = CV
 Includes fixing clamps and fasteners

How to generate the part number – LUTC (cover type)/W1/W2 (finish) (radius)

Example – LUTC/0300/0150HDGR300

Table below shows a complete list of W1 and W2 combinations.

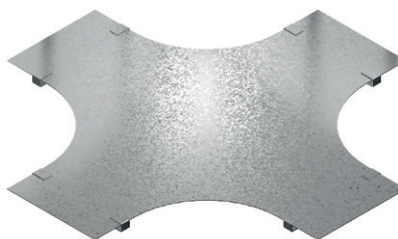
W1	W2
150	300, 450, 600, 750, 900
300	150, 450, 600, 750, 900
450	150, 300, 600, 750, 900
600	150, 300, 450, 750, 900
750	150, 300, 450, 600, 900
900	150, 300, 450, 600, 750



Crossover covers (made to order)

Standard radius 300mm = R300, other radii R450, R600, R750 and R900 (made to order).
 Finish: hot dip galvanised = HDG, substitute SS within part number for stainless steel grade 1.4404 (316L)
 Standard closed covers = C, ventilated cover = CV
 Includes fixing clamps and fasteners

Width mm	
150	LCOC/0150HDGR300
300	LCOC/0300HDGR300
450	LCOC/0450HDGR300
600	LCOC/0600HDGR300
750	LCOC/0750HDGR300
900	LCOC/0900HDGR300



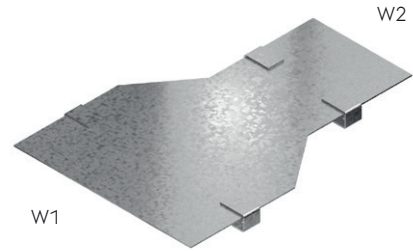
Straight reducer covers (made to order)

Finish: hot dip galvanised = HDG, substitute SS within part number for stainless steel grade 1.4404 (316L)

Standard closed covers = C, ventilated cover = CV

Includes fixing clamps and fasteners

Width mm		
W1	W2	
300	150	LSRC/0300/0150HDG
450	150	LSRC/0450/0150HDG
600	150	LSRC/0600/0150HDG
750	150	LSRC/0750/0150HDG
900	150	LSRC/0900/0150HDG
450	300	LSRC/0450/0300HDG
600	300	LSRC/0600/0300HDG
750	300	LSRC/0750/0300HDG
900	300	LSRC/0900/0300HDG
600	450	LSRC/0600/0450HDG
750	450	LSRC/0750/0450HDG
900	450	LSRC/0900/0450HDG
750	600	LSRC/0750/0600HDG
900	600	LSRC/0900/0600HDG
900	750	LSRC/0900/0750HDG



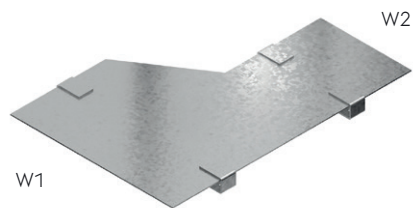
Left hand reducer covers (made to order)

Finish: hot dip galvanised = HDG, substitute SS within part number for stainless steel grade 1.4404 (316L)

Standard closed covers = C, ventilated cover = CV

Includes fixing clamps and fasteners

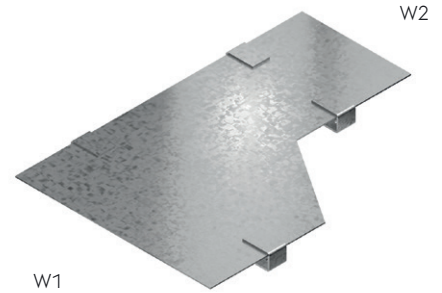
Width mm		
W1	W2	
300	150	LLRC/0300/0150HDG
450	150	LLRC/0450/0150HDG
600	150	LLRC/0600/0150HDG
750	150	LLRC/0750/0150HDG
900	150	LLRC/0900/0150HDG
450	300	LLRC/0450/0300HDG
600	300	LLRC/0600/0300HDG
750	300	LLRC/0750/0300HDG
900	300	LLRC/0900/0300HDG
600	450	LLRC/0600/0450HDG
750	450	LLRC/0750/0450HDG
900	450	LLRC/0900/0450HDG
750	600	LLRC/0750/0600HDG
900	600	LLRC/0900/0600HDG
900	750	LLRC/0900/0750HDG



Right hand reducer covers (made to order)

Finish: hot dip galvanised = HDG, substitute SS within part number for stainless steel grade 1.4404 (316L)
 Standard closed covers = C, ventilated cover = CV
 Includes fixing clamps and fasteners

Width mm		
W1	W2	
300	150	LRRC/0300/0150HDG
450	150	LRRC/0450/0150HDG
600	150	LRRC/0600/0150HDG
750	150	LRRC/0750/0150HDG
900	150	LRRC/0900/0150HDG
450	300	LRRC/0450/0300HDG
600	300	LRRC/0600/0300HDG
750	300	LRRC/0750/0300HDG
900	300	LRRC/0900/0300HDG
600	450	LRRC/0600/0450HDG
750	450	LRRC/0750/0450HDG
900	450	LRRC/0900/0450HDG
750	600	LRRC/0750/0600HDG
900	600	LRRC/0900/0600HDG
900	750	LRRC/0900/0750HDG



90° external riser covers (made to order)

Standard radius 300mm = R300, other radii R450, R600, R750 and R900 (made to order)
 Finish: hot dip galvanised = HDG, substitute SS within part number for stainless steel grade 1.4404 (316L)
 Standard closed covers = C, ventilated cover = CV
 Includes fixing clamps and fasteners

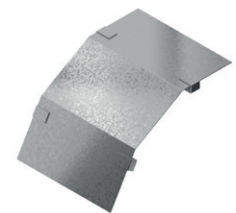
Width mm	Light duty 50mm Deep	Medium duty 100mm Deep	Heavy duty 125mm Deep	Extra heavy duty 150mm Deep
150	LERC050/0150HDG/90R300	LERC100/0150HDG/90R300	LERC125/0150HDG/90R300	LERC150/0150HDG/90R300
300	LERC050/0300HDG/90R300	LERC100/0300HDG/90R300	LERC125/0300HDG/90R300	LERC150/0300HDG/90R300
450	LERC050/0450HDG/90R300	LERC100/0450HDG/90R300	LERC125/0450HDG/90R300	LERC150/0450HDG/90R300
600	N/A	LERC100/0600HDG/90R300	LERC125/0600HDG/90R300	LERC150/0600HDG/90R300
750	N/A	LERC100/0750HDG/90R300	LERC125/0750HDG/90R300	LERC150/0750HDG/90R300
900	N/A	LERC100/0900HDG/90R300	LERC125/0900HDG/90R300	LERC150/0900HDG/90R300



60° external riser covers (made to order)

Standard radius 300mm = R300, other radii R450, R600, R750 and R900 (made to order)
 Finish: hot dip galvanised = HDG, substitute SS within part number for stainless steel grade 1.4404 (316L)
 Standard closed covers = C, ventilated cover = CV
 Includes fixing clamps and fasteners

Width mm	Light duty 50mm Deep	Medium duty 100mm Deep	Heavy duty 125mm Deep	Extra heavy duty 150mm Deep
150	LERC050/0150HDG/60R300	LERC100/0150HDG/60R300	LERC125/0150HDG/60R300	LERC150/0150HDG/60R300
300	LERC050/0300HDG/60R300	LERC100/0300HDG/60R300	LERC125/0300HDG/60R300	LERC150/0300HDG/60R300
450	LERC050/0450HDG/60R300	LERC100/0450HDG/60R300	LERC125/0450HDG/60R300	LERC150/0450HDG/60R300
600	N/A	LERC100/0600HDG/60R300	LERC125/0600HDG/60R300	LERC150/0600HDG/60R300
750	N/A	LERC100/0750HDG/60R300	LERC125/0750HDG/60R300	LERC150/0750HDG/60R300
900	N/A	LERC100/0900HDG/60R300	LERC125/0900HDG/60R300	LERC150/0900HDG/60R300



45° external riser covers (made to order)

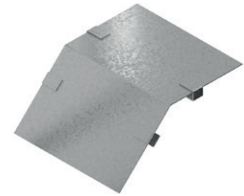
Standard radius 300mm = R300, other radii R450, R600, R750 and R900 (made to order)

Finish: hot dip galvanised = HDG, substitute SS within part number for stainless steel grade 1.4404 (316L)

Standard closed covers = C, ventilated cover = CV

Includes fixing clamps and fasteners

Width mm	Light duty 50mm Deep	Medium duty 100mm Deep	Heavy duty 125mm Deep	Extra heavy duty 150mm Deep
150	LERC050/0150HDG/45R300	LERC100/0150HDG/45R300	LERC125/0150HDG/45R300	LERC150/0150HDG/45R300
300	LERC050/0300HDG/45R300	LERC100/0300HDG/45R300	LERC125/0300HDG/45R300	LERC150/0300HDG/45R300
450	LERC050/0450HDG/45R300	LERC100/0450HDG/45R300	LERC125/0450HDG/45R300	LERC150/0450HDG/45R300
600	N/A	LERC100/0600HDG/45R300	LERC125/0600HDG/45R300	LERC150/0600HDG/45R300
750	N/A	LERC100/0750HDG/45R300	LERC125/0750HDG/45R300	LERC150/0750HDG/45R300
900	N/A	LERC100/0900HDG/45R300	LERC125/0900HDG/45R300	LERC150/0900HDG/45R300



30° external riser covers (made to order)

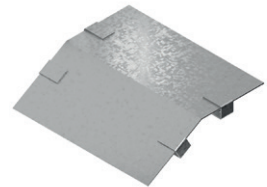
Standard radius 300mm = R300, other radii R450, R600, R750 and R900 (made to order)

Finish: hot dip galvanised = HDG, substitute SS within part number for stainless steel grade 1.4404 (316L)

Standard closed covers = C, ventilated cover = CV

Includes fixing clamps and fasteners

Width mm	Light duty 50mm Deep	Medium duty 100mm Deep	Heavy duty 125mm Deep	Extra heavy duty 150mm Deep
150	LERC050/0150HDG/30R300	LERC100/0150HDG/30R300	LERC125/0150HDG/30R300	LERC150/0150HDG/30R300
300	LERC050/0300HDG/30R300	LERC100/0300HDG/30R300	LERC125/0300HDG/30R300	LERC150/0300HDG/30R300
450	LERC050/0450HDG/30R300	LERC100/0450HDG/30R300	LERC125/0450HDG/30R300	LERC150/0450HDG/30R300
600	N/A	LERC100/0600HDG/30R300	LERC125/0600HDG/30R300	LERC150/0600HDG/30R300
750	N/A	LERC100/0750HDG/30R300	LERC125/0750HDG/30R300	LERC150/0750HDG/30R300
900	N/A	LERC100/0900HDG/30R300	LERC125/0900HDG/30R300	LERC150/0900HDG/30R300



90° internal riser covers (made to order)

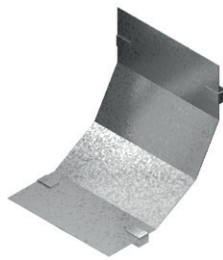
Standard radius 300mm = R300, other radii R450, R600, R750 and R900 (made to order)

Finish: hot dip galvanised = HDG, substitute SS within part number for stainless steel grade 1.4404 (316L)

Standard closed covers = C, ventilated cover = CV

Includes fixing clamps and fasteners

Width mm	
150	LIRC/0150HDG/90R300
300	LIRC/0300HDG/90R300
450	LIRC/0450HDG/90R300
600	LIRC/0600HDG/90R300
750	LIRC/0750HDG/90R300
900	LIRC/0900HDG/90R300



60° internal riser covers (made to order)

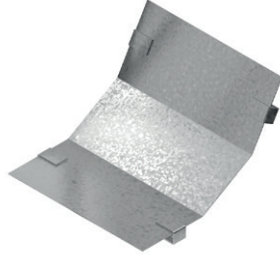
Standard radius 300mm = R300, other radii R450, R600, R750 and R900 (made to order)

Finish: hot dip galvanised = HDG, substitute SS within part number for stainless steel grade 1.4404 (316L)

Standard closed covers = C, ventilated cover = CV

Includes fixing clamps and fasteners

Width mm	
150	LIRC/0150HDG/60R300
300	LIRC/0300HDG/60R300
450	LIRC/0450HDG/60R300
600	LIRC/0600HDG/60R300
750	LIRC/0750HDG/60R300
900	LIRC/0900HDG/60R300



45° internal riser covers (made to order)

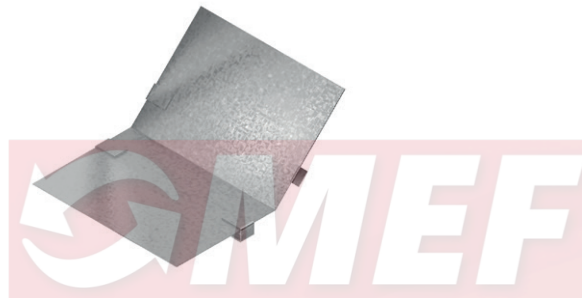
Standard radius 300mm = R300, other radii R450, R600, R750 and R900 (made to order)

Finish: hot dip galvanised = HDG, substitute SS within part number for stainless steel grade 1.4404 (316L)

Standard closed covers = C, ventilated cover = CV

Includes fixing clamps and fasteners

Width mm	
150	LIRC/0150HDG/45R300
300	LIRC/0300HDG/45R300
450	LIRC/0450HDG/45R300
600	LIRC/0600HDG/45R300
750	LIRC/0750HDG/45R300
900	LIRC/0900HDG/45R300



30° internal riser covers (made to order)

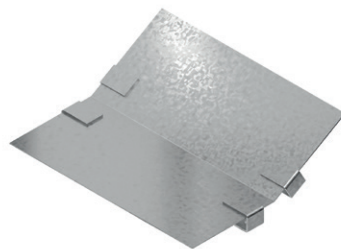
Standard radius 300mm = R300, other radii R450, R600, R750 and R900 (made to order)

Finish: hot dip galvanised = HDG, substitute SS within part number for stainless steel grade 1.4404 (316L)

Standard closed covers = C, ventilated cover = CV

Includes fixing clamps and fasteners

Width mm	
150	LIRC/0150HDG/30R300
300	LIRC/0300HDG/30R300
450	LIRC/0450HDG/30R300
600	LIRC/0600HDG/30R300
750	LIRC/0750HDG/30R300
900	LIRC/0900HDG/30R300

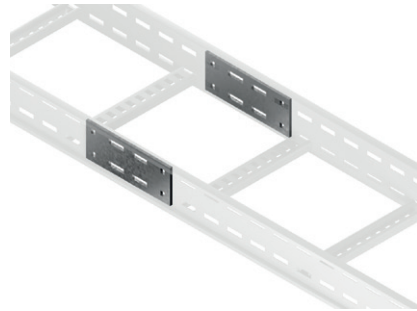


Accessories

Splice plates

Finish: hot dip galvanised as standard. For stainless steel grade 1.4404 (316L) add SS e.g. L/SSP100SSPR

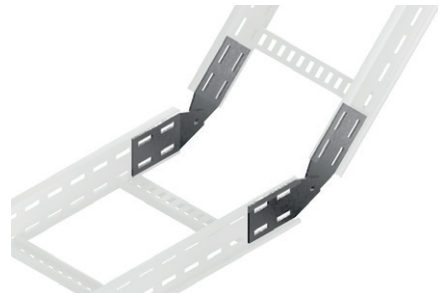
Ladder depth mm	Sold in pairs (includes 16 nuts, bolts and washers)
50	L/SSP50PR
100	L/SSP100PR
125	L/SSP125PR
150	L/SSP150PR



Vertical splice plates

Finish: hot dip galvanised as standard. For stainless steel grade 1.4404 (316L) add SS e.g. L/VSP100SSPR

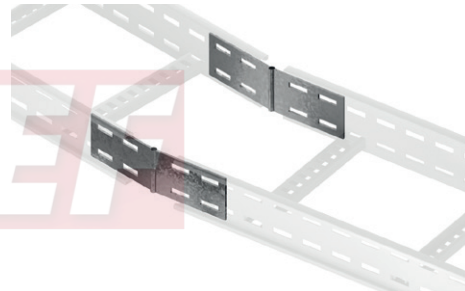
Ladder depth mm	Sold in pairs (includes 16 nuts, bolts and washers)
50	L/VSP50PR
100	L/VSP100PR
125	L/VSP125PR
150	L/VSP150PR



Horizontal splice plates

Finish: hot dip galvanised as standard. For stainless steel grade 1.4404 (316L) add SS e.g. L/HSP100SSPR

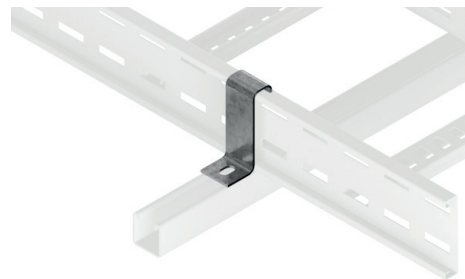
Ladder depth mm	Sold in pairs (includes 16 nuts, bolts and washers)
50	L/HSP50PR
100	L/HSP100PR
125	L/HSP125PR
150	L/HSP150PR



Hold down bracket

Finish: hot dip galvanised as standard. For stainless steel grade 1.4404 (316L) add SS e.g. L/HDB100SS

Ladder depth mm	Sold as single item (fasteners excluded)
50	L/HDB50
100	L/HDB100
125	L/HDB125
150	L/HDB150

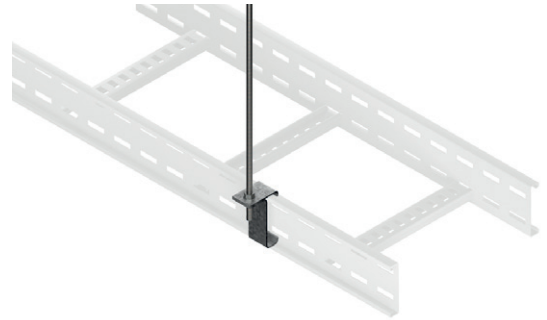


Suspension clip

Finish: hot dip galvanised as standard. For stainless steel grade 1.4404 (316L) add SS e.g. L/SC100SS

Slot diameter is 12mm x 20mm.

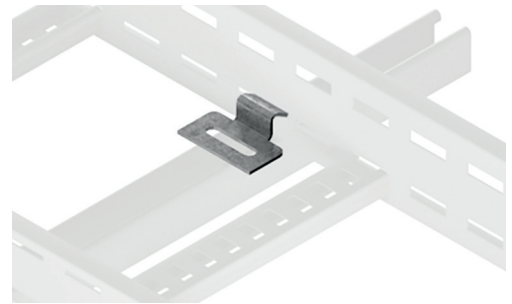
Ladder depth mm	Sold as single item (fasteners excluded)
50	L/SC50
100	L/SC100
125	L/SC125
150	L/SC150



Hold down clip

Finish: hot dip galvanised as standard. For stainless steel grade 1.4404 (316L) add SS e.g. L/HDC/ASS

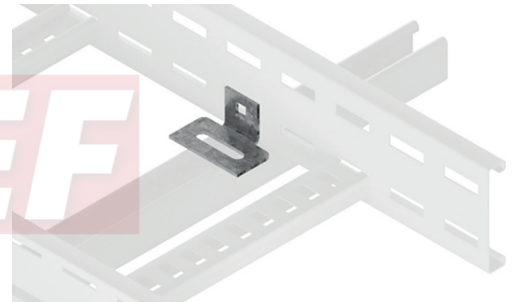
Sold as single item (fasteners excluded)
L/HDC/A



Bolted hold down clip

Finish: hot dip galvanised as standard. For stainless steel grade 1.4404 (316L) add SS e.g. L/HDC/BSS

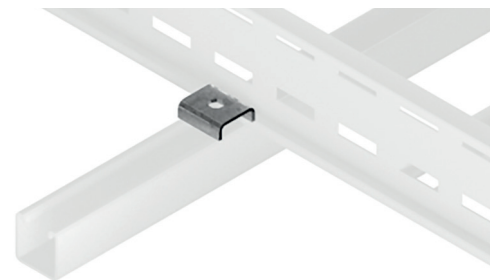
Sold as single item (fasteners excluded)
L/HDC/B



Side rail clamp

Finish: hot dip galvanised as standard. For stainless steel grade 1.4404 (316L) add SS e.g. L/SRC/SS

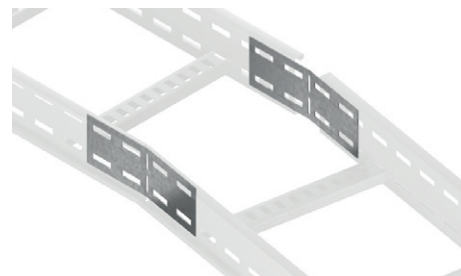
Sold as single item (fasteners excluded)
L/SRC



Bendable splice plates

Finish: hot dip galvanised as standard. For stainless steel grade 1.4404 (316L) add SS e.g. L/BSP100/SSPR

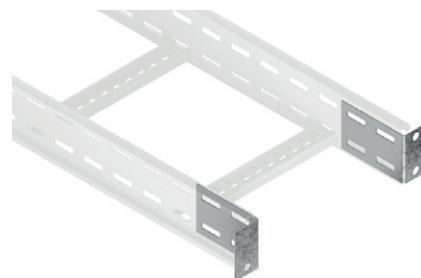
Ladder depth mm	Sold in pairs (includes 16 nuts, bolts and washers)
50	L/BSP050PR
100	L/BSP100PR
125	L/BSP125PR
150	L/BSP150PR



End connectors

Finish: hot dip galvanised as standard. For stainless steel grade 1.4404 (316L) add SS e.g. L/ECO100SSPR

Ladder depth mm	Sold in pairs (fasteners excluded)
50	L/ECO50PR
100	L/ECO100PR
125	L/ECO125PR
150	L/ECO150PR

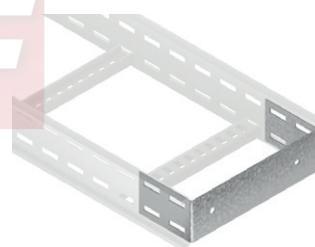


Stop ends

Finish: hot dip galvanised as standard. For stainless steel grade 1.4404 (316L) add SS e.g. L/SE100/0300SS.

Sold as single item (fasteners excluded)

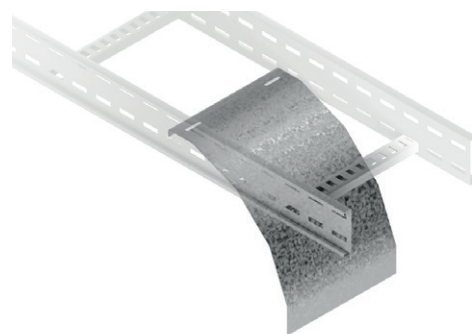
Width mm	Light duty 50mm Deep	Medium duty 100mm Deep	Heavy duty 125mm Deep	Extra heavy duty 150mm Deep
150	L/SE050/0150	L/SE100/0150	L/SE125/0150	L/SE150/0150
300	L/SE050/0300	L/SE100/0300	L/SE125/0300	L/SE150/0300
450	L/SE050/0450	L/SE100/0450	L/SE125/0450	L/SE150/0450
600	N/A	L/SE100/0600	L/SE125/0600	L/SE150/0600
750	N/A	L/SE100/0750	L/SE125/0750	L/SE150/0750
900	N/A	L/SE100/0900	L/SE125/0900	L/SE150/0900



Drop out plates

Finish: hot dip galvanised as standard. For stainless steel grade 1.4404 (316L) add SS e.g. L/DOP150SS

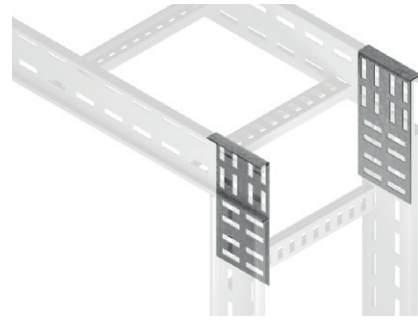
Ladder depth mm	Sold as single item (fasteners excluded)
150	L/DOP150
300	L/DOP300
450	L/DOP450
600	L/DOP600
750	L/DOP750
900	L/DOP900



Drop out brackets

Finish: hot dip galvanised as standard. For stainless steel grade 1.4404 (316L) add SS e.g. L/RTR100SSPR

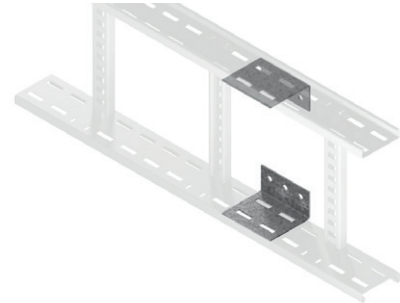
Ladder depth mm	Sold in pairs (fasteners excluded)
50	N/A
100	L/RTR100PR
125	L/RTR125PR
150	L/RTR150PR



Wall brackets

Finish: hot dip galvanised as standard. For stainless steel grade 1.4404 (316L) add SS e.g. L/WSB100SSPR

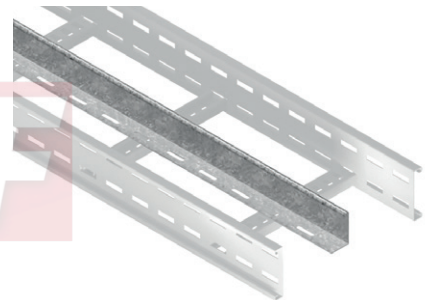
Ladder depth mm	Sold in pairs (fasteners excluded)
50	L/WSB050PR
100	L/WSB100PR
125	L/WSB125PR
150	L/WSB150PR



Straight divider – 3m long

Finish: hot dip galvanised as standard. For stainless steel grade 1.4404 (316L) add SS e.g. LSD100/3SS

Ladder depth mm	Sold as single item (fasteners excluded)
50	LSD050/3
100	LSD100/3
125	LSD125/3
150	LSD150/3



Bendable divider – 1m long

Finish: hot dip galvanised as standard. For stainless steel grade 1.4404 (316L) add SS e.g. LBD100SS

Ladder depth mm	Sold as single item (fasteners excluded)
50	LBD050
100	LBD100
125	LBD125
150	LBD150



Earth straps

Finish: copper braid Electro Tinned – 16mm²
Hole diameter is 12mm.

250mm long (fasteners excluded)
L/ES250

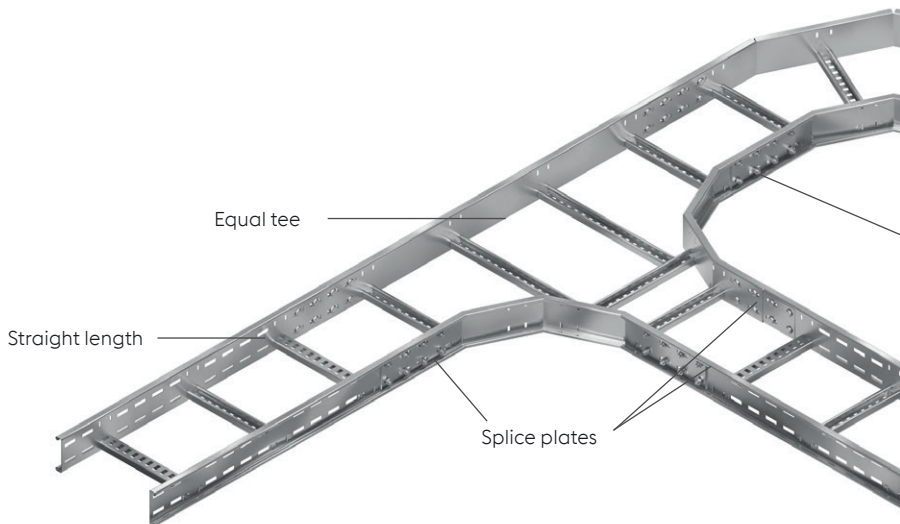


CABLE LADDER SYSTEMS

Pre-Galvanised Cable Ladder Systems

Metsec pre-galvanised ladders are made using a non-destructive jointing method called clinching. This enables a strong and robust product to be created without damage to the corrosion resistant coating, to ensure the optimum level of protection is maintained. A full range of accessories are available as well as splice plates which come complete with M10 cup square bolts, shake proof washers and nuts.

When installing metsec cable ladders, care should be taken to ensure the support is within 600mm of a joint. Accessories (e.g. bends, tees, crossovers etc.) should have adequate support. Additional support will be required for larger components.

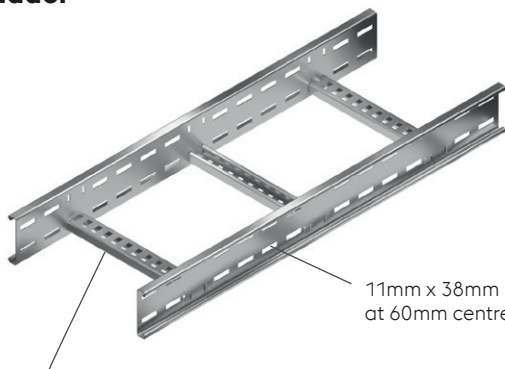


Technical construction details

Whilst rungs are alternately reversed as standard, other rung orientations can be produced to order. Additionally alternative widths are also available to meet the requirements of the European markets.



Straight ladder



11mm x 38mm long slot holes at 60mm centres in side rails

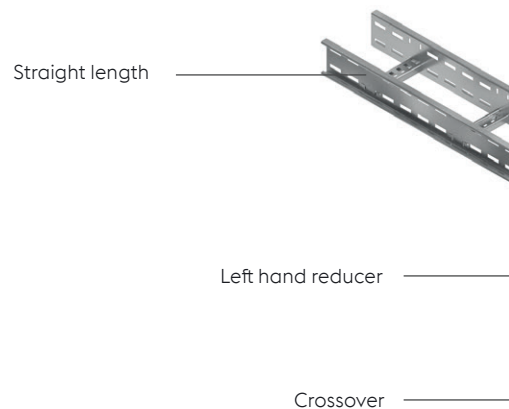
Rungs alternately reversed as standard at 300mm max. centres

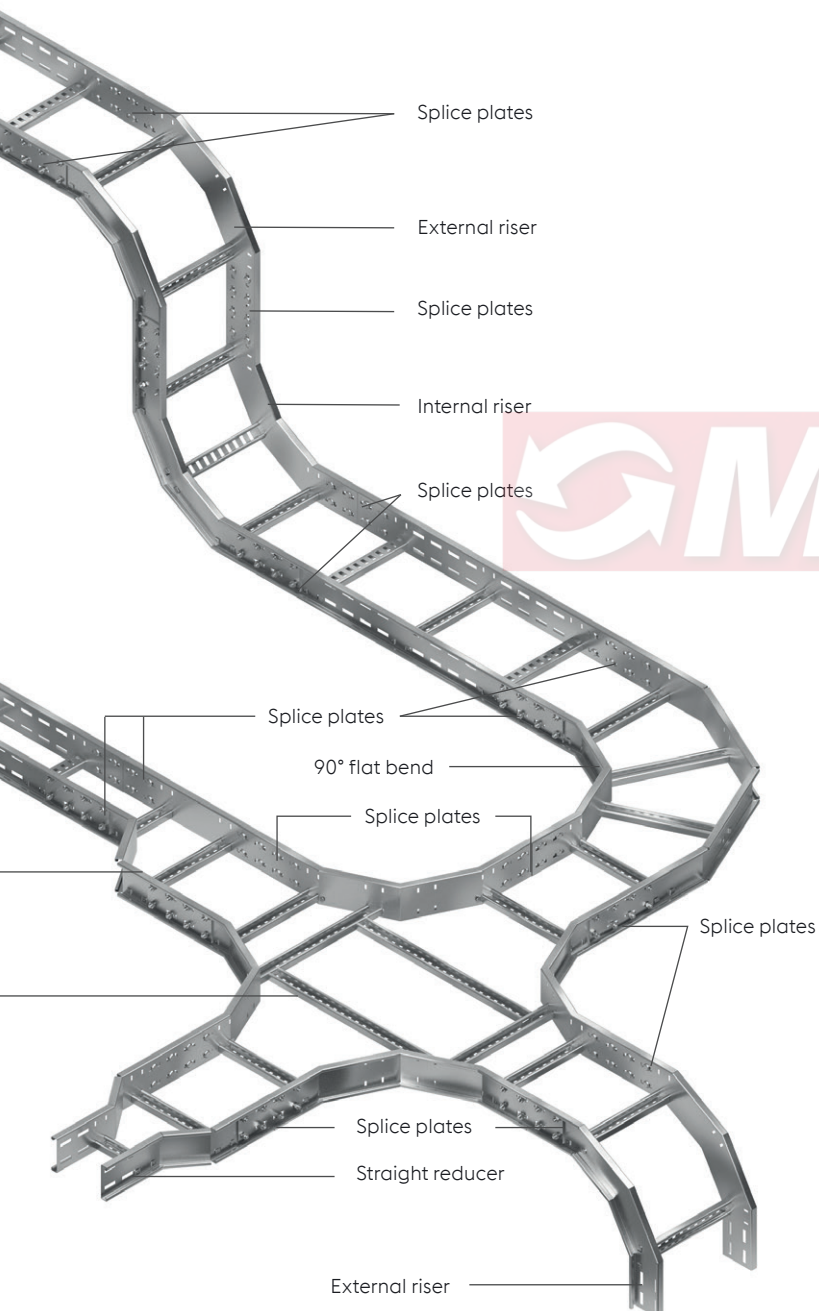
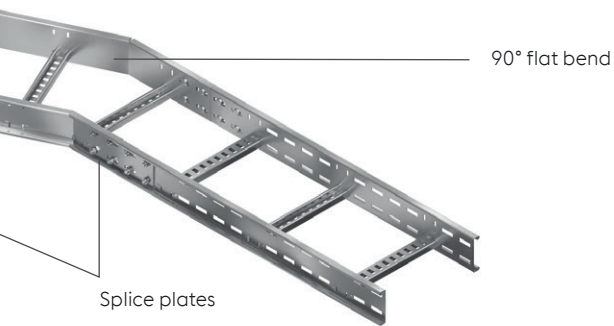
Rung types

50, 100, 125 and 150mm deep ladder ranges
rung type: 41mm x 21mm channel



22mm x 11mm slots at 25mm crs



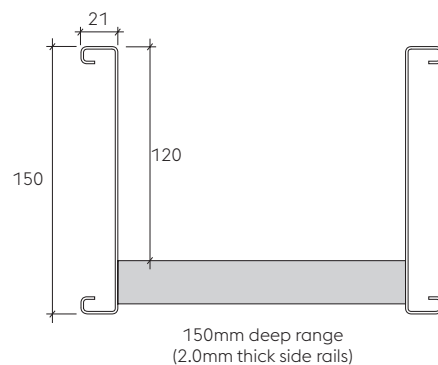
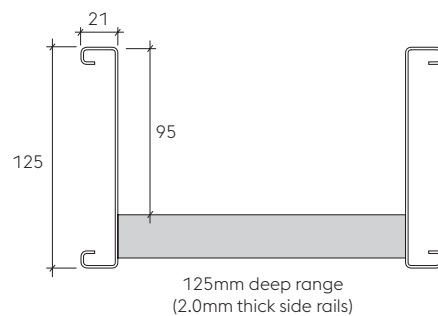
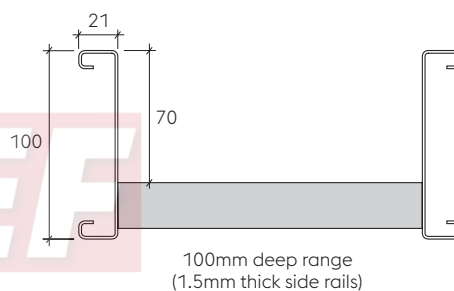
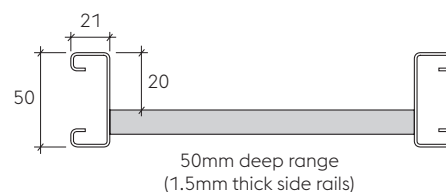


Materials and finishes

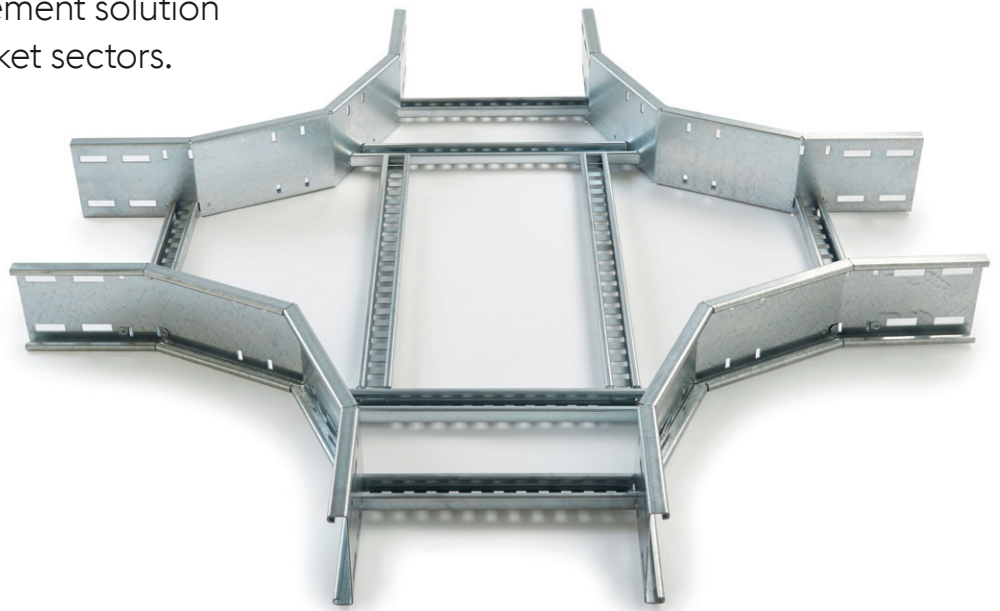
Made from pre-galvanised steel grade S280 with a 275g/m² zinc coating.

Mild steel Pre-galvanised: manufactured from steel complying with BS EN 10346.

Ladder profiles



The Metsec Pre-Galvanised Ladder has been specially designed to provide a high quality, Cable Management solution across a wide range of market sectors.



Features

- » Metsec's team of specialist engineers manufacture flat bends, tees and crossovers, risers, reducers and covers, all designed to fit into a complete ladder system with a range of accessories for ease of installation
- » For projects requiring long, straight runs of cable ladder, lengths of up to 6m can be manufactured to order
- » Aesthetically superior to traditional hot dipped finish
- » Splice plates are supplied complete with M10 cup square bolts, shake proof washers, and nuts with a high tolerance fit for optimum structural performance.

Key Benefits

- » Proven to meet recognised industry standards through rigorous BSI Kitemark™ testing, demonstrating safety, reliability and quality
- » Conforms to BS EN 61537 for Cable Management, cable tray systems and cable ladder systems
- » Assembled using a non-destructive process, eliminating any risk of damage to the galvanised coating
- » Offers equivalent loading performance of our welded ladder system.



Industry Sectors

The Pre-Galvanised ladder is suitable for many industries: Commercial, Education, Health, Retail, Telecoms and Tunnels.

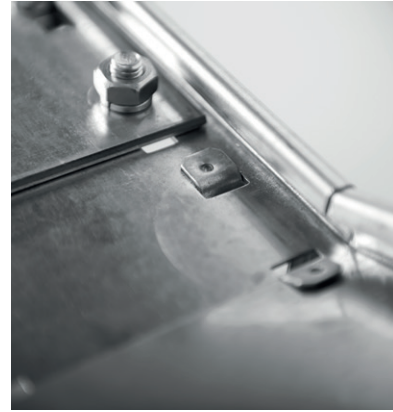
Load Table

Our load table is provided to enable easy comparison and cost optimisation. This data assumes an even distribution across the width of the ladder in a horizontal plane and that the load is similar across two or more continuous spans. For non-uniform loads, or spans/loadings outside the scope of the tables, please contact Metsec for advice.

Example

Load required = 100kg per linear metre options available

1. 50mm deep ladder will span up to a maximum of 2.396m with a deflection of 10.9mm
2. 100mm deep ladder will span up to a maximum of 3.952m with a deflection of 14.8mm
3. 125mm deep ladder will span up to a maximum of 5.321m with a deflection of 21.4mm
4. 150mm deep ladder will span up to a maximum of 6.000m with a deflection of 21.8mm



Load	Type											
	50mm Deep			100mm Deep			125mm Deep			150mm Deep		
W	s	d	dp	s	d	dp	s	d	dp	s	d	dp
kg/m	s	d	dp	s	d	dp	s	d	dp	s	d	dp
25	3.931	19.7	19.7	6	19.6	30	6	8.7	30	6	5.4	30
50	3.12	15.6	15.6	5.487	27.4	27.4	6	17.3	30	6	10.9	30
75	2.725	13.6	13.6	4.564	19.7	22.8	6	26	30	6	16.3	30
100	2.396	10.9	12	3.952	14.8	19.8	5.321	21.4	26.6	6	21.8	30
125	2.143	8.7	10.7	3.535	11.8	17.7	4.76	17.1	23.8	5.476	18.9	27.4
150	1.956	7.2	9.8	3.227	9.8	16.1	4.345	14.3	21.7	4.999	15.7	25
175	1.811	6.2	9.1	2.988	8.4	14.9	4.023	12.2	20.1	4.628	13.5	23.1
200	1.694	5.4	8.5	2.795	7.4	14	3.763	10.7	18.8	4.329	11.8	21.6
225	1.597	4.8	8	2.635	6.6	13.2	3.548	9.5	17.7	4.081	10.5	20.4
250	1.515	4.3	7.6	2.5	5.9	12.5	3.366	8.6	16.8	3.872	9.4	19.4
275	1.445	3.9	7.2	2.383	5.4	11.9	3.209	7.8	16	3.692	8.6	18.5
300	1.383	3.6	6.9	2.282	4.9	11.4	3.072	7.1	15.4	3.535	7.9	17.7

's' - maximum spacing of supports in metres

'dp' - allowable deflection (span/200) in mm

'd' - maximum deflection in end span in mm

'w' - safe working load in kg per linear metre

STANDARDS

Metsec cable ladder systems generally conform to BS EN 61537 Cable Management – cable tray systems and cable ladder systems

Information relating to compliance is detailed/[highlighted](#) within the following sections of the standard:

6 Classification

<p>6.1 6.1.1</p>	<p>According to material Metsec cable ladder systems are metallic system components</p>	<p>6.4 6.4.1</p>	<p>According to electrical conductivity Metsec cable ladder systems are electrically conductive system components</p>
<p>6.2 6.2.2</p>	<p>According to resistance to flame propagation Metsec cable ladder systems are non - flame propagating system components</p>	<p>6.5 6.5.2</p>	<p>According to resistance against corrosion Metsec cable ladder systems are made of steel with metallic finishes or stainless steel</p>
<p>6.3 6.3.2</p>	<p>According to electrical continuity characteristics Metsec cable ladder systems have electrical continuity characteristics</p>	<p>(Resistance to corrosion is classified according to Table 1, and follow the relevant specification in Table 8, with compliance according to Table 7.)</p>	



Table 1 – Classification for resistance against corrosion

Class	Reference – material and finish
0 (a)	None
1	Electroplated to a minimum thickness of 5 µm
2	Electroplated to a minimum thickness of 12 µm
3	Pre-galvanised to grade 275 to BS EN 10346
4	Pre-galvanised to grade 350 to EN 10346
5	Post-galvanised to a zinc mean coating thickness (minimum) of 45 µm according to BS EN ISO 1461 for zinc thickness only
6	Post-galvanised to a zinc mean coating thickness (minimum) of 55 µm according to ISO 1461 for zinc thickness only
7	Post-galvanised to a zinc mean coating thickness (minimum) of 70 µm according to ISO 1461 for zinc thickness only
8	Post-galvanised to a zinc mean coating thickness (minimum) of 85 µm according to ISO 1461 for zinc thickness only
9A	Stainless steel manufactured to ASTM: A 240/A 240M – 95a designation S30400 or EN 10088 grade 1 – 4301 without a post treatment (b)
9B	Stainless steel manufactured to ASTM: A 240/A 240M – 95a designation S31603 or EN 10088 grade 1 – 4404 without a post treatment (b)
9C	Stainless steel manufactured to ASTM: A 240/A 240M – 95a designation S30400 or EN 10088 grade 1 – 4301 with a post treatment (b)
9D	Stainless steel manufactured to ASTM: A 240/A 240M – 95a designation S31603 or EN 10088 grade 1 – 4404 with a post treatment (b)
(a)	For materials which have no declared corrosion resistance classification
(b)	The post-treatment process is used to improve the protection against crevice crack corrosion and the contamination by other steels

Table 7 – System component compliance and classification for resistance against corrosion

System component Material and finishes	Classification according to	Compliance	Subclause for compliance check
Non-metallic	6.5.1	Declaration	14.2.1
Reference – zinc coating as in Table 1.	6.5.2 Table 1 classes 1 to 8	Declaration or measurement	14.2.2
Non-referenced zinc coating	6.5.2 Table 1 classes 1 to 8	By neutral salt spray test NSS	14.2.3
Reference – stainless steel as in Table 1.	6.5.2 Table 1 Class 9A to 9D	Declaration	14.2.2
Non-referenced stainless steel	Not classified	Declaration	None
Other metallic coatings	6.5.2 Table 1 Column 1 classes 1 to 8	By neutral salt spray test NSS	14.2.3
Aluminium alloys or other metals	6.5.3 Under consideration	Under consideration	14.2.4
Organic coatings	6.5.4 Under consideration	Under consideration	14.2.5

Table 8 – Zinc coating thickness of reference materials

Class	Minimum thickness	Minimum coating thickness as given in BS EN 10346	Mean coating thickness (minimum) to ISO 1461
	µm	µm	µm
0 (a)	-	-	-
1	5	-	-
2	12	-	-
3	-	13	-
4	-	17	-
5	-	-	45
6	-	-	55
7	-	-	70
8	-	-	85

a) As declared by the manufacturer or responsible vendor

- 6.6 According to temperature
- 6.6.1 Minimum temperature for the system components is given in Table 2.
- 6.6.2 Maximum temperature for the system components is given in Table 3.
- 6.8 According to the free base area of the cable ladder length as given in Table 5.
- 6.9 According to impact resistance
- 6.9.5 System component offering impact resistance up to 50 J (as verified by testing in accordance with 10.9 Test for impact resistance.)

Table 2 – Minimum temperature classification

Minimum transport, storage installation and application temperature °C
+5
- 5
- 15
- 20
- 40
- 50

Table 3 – Maximum temperature classification

Maximum transport, storage installation and application temperature °C
+40
+60
+90
+105
+120
+150

Table 5 – Free base area classification

Classification	Perforation in the free base area
X	Up to 80 %
Y	Over 80 % and up to 90 %
Z	More than 90 %

NB: Classification Z relates to IEC 60364 - 5 - 52 Subclause A.52.6.2 third paragraph

8 Dimensions

Key cross sectional dimensions for straight cable ladders

Part No	External depth mm	Internal depth mm	External width mm	Internal width mm	X-sectional area mm ²
LSL050/0150#	50	20	192	150	3000
LSL050/0300#	50	20	342	300	6000
LSL050/0450#	50	20	492	450	9000
LSL100/0150#	100	70	192	150	10500
LSL100/0300#	100	70	342	300	21000
LSL100/0450#	100	70	492	450	31500
LSL100/0600#	100	70	642	600	42000
LSL100/0750#	100	70	792	750	52500
LSL100/0900#	100	70	942	900	63000
LSL125/0150#	125	95	192	150	14250
LSL125/0300#	125	95	342	300	28500
LSL125/0450#	125	95	492	450	42750
LSL125/0600#	125	95	642	600	57000
LSL125/0750#	125	95	792	750	71250
LSL125/0900#	125	95	942	900	85500
LSL150/0150#	150	120	192	150	18000
LSL150/0300#	150	120	342	300	36000
LSL150/0450#	150	120	492	450	54000
LSL150/0600#	150	120	642	600	72000
LSL150/0750#	150	120	792	750	90000
LSL150/0900#	150	120	942	900	108000

Minimum internal radius of fittings

Minimal internal radius of fittings available for the accommodation of cables is 300 mm.

9 Construction

- 9.1 Surfaces of system components which are likely to come into contact with cables during installation are inspected to ensure they shall not cause damage to the cables when installed correctly.
- 9.2 As with all metallic system components, care should be exercised that handling is in accordance with the relative COSHH regulations and gloves should be worn.
- 9.3 Screwed connections have been designed to withstand the mechanical stresses occurring during installations and normal use and will not cause damage to cables when correctly inserted. Screwed connections are in general ISO metric threads fully compliant to tests in accordance with 9.3.1 and 9.3.2 of the standard. Metsec cable ladder systems are usually assembled using M10 cup square bolts and hex nuts with lock washers for couplers etc tightened to a torque of 45N/m. Other connections require M10 hex bolts for clamps etc tightened to a torque of 25N/m.

10 Mechanical Properties

Cable ladder lengths have been tested generally in accordance with the standard under 10.2 and 10.3 for verification of the loading graphs. It should be noted that independent testing has been carried out to verify the structural performance of the cable ladders at the minimum and maximum temperature classifications for test conditions under 10.2.2.

All accessories e.g. bends, tees etc should be directly supported by a suitable support device or devices at appropriate positions.

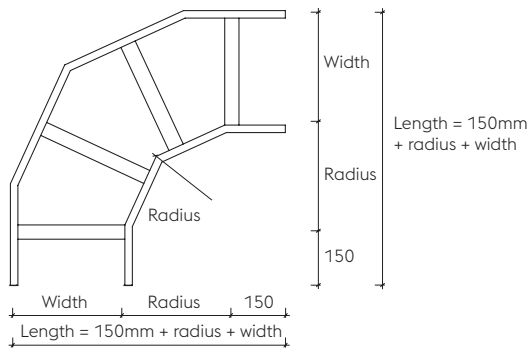


PRE-GALVANISED LADDER SYSTEMS

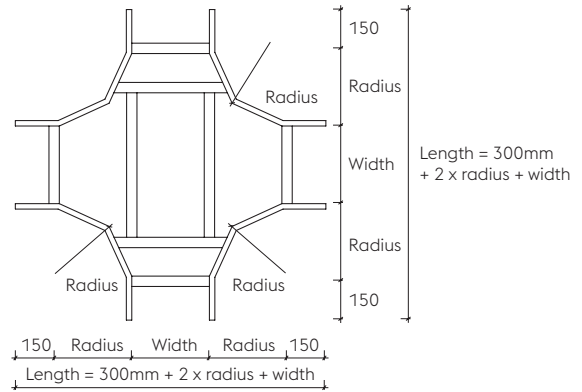
Accessory Footprint

Pre-Galvanised ladder – accessory foot print standard radius is 300mm

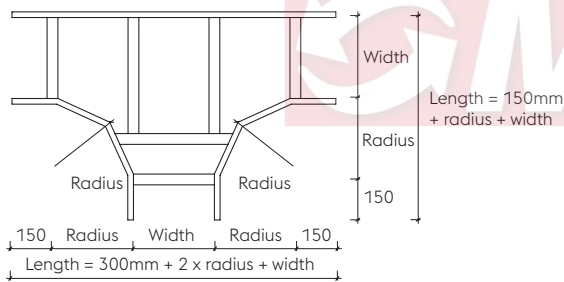
90° flat bend



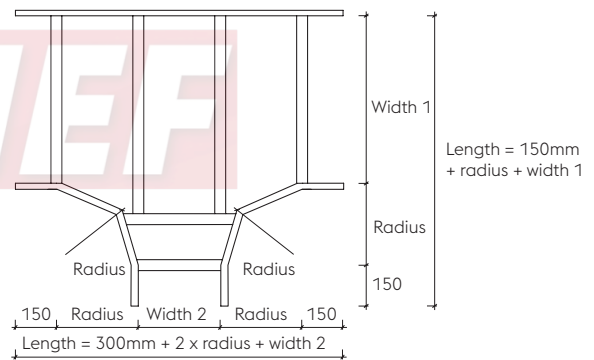
Crossover



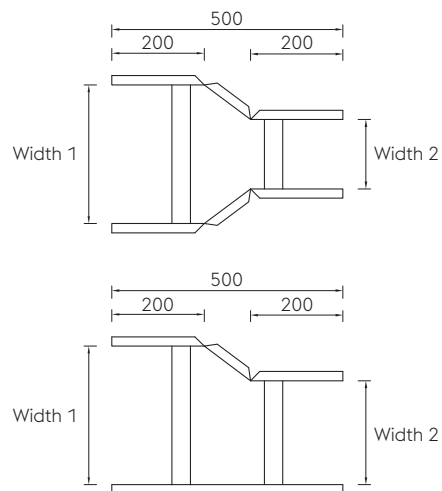
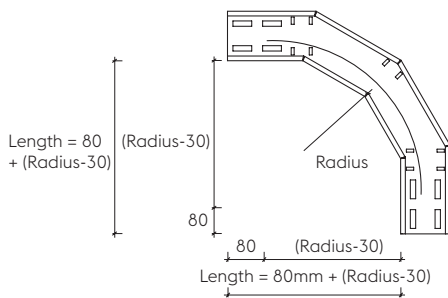
Equal tee



Unequal tee



90° riser



Footprints are identical for all ranges

Straight Lengths

Light duty – 50mm deep

Finish: pre-galvanised = PG

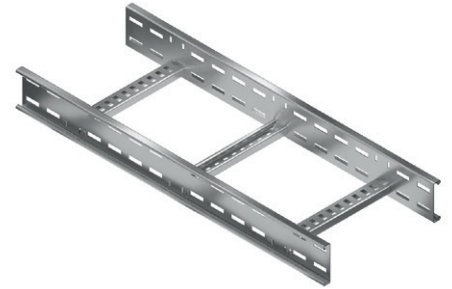
Width mm	50mm Deep – 3M long	50mm Deep – 6M long
150	LSL050/0150PG/3	N/A
300	LSL050/0300PG/3	N/A
450	LSL050/0450PG/3	N/A



Medium duty – 100mm deep

Finish: pre-galvanised = PG

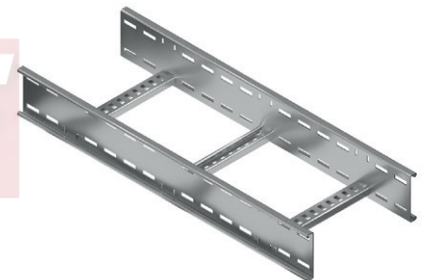
Width mm	100mm Deep – 3M long	100mm Deep – 6M long
150	LSL100/0150PG/3	LSL100/0150PG/6
300	LSL100/0300PG/3	LSL100/0300PG/6
450	LSL100/0450PG/3	LSL100/0450PG/6
600	LSL100/0600PG/3	LSL100/0600PG/6
750	LSL100/0750PG/3	LSL100/0750PG/6
900	LSL100/0900PG/3	LSL100/0900PG/6



Heavy duty 125mm deep

Finish: pre-galvanised = PG

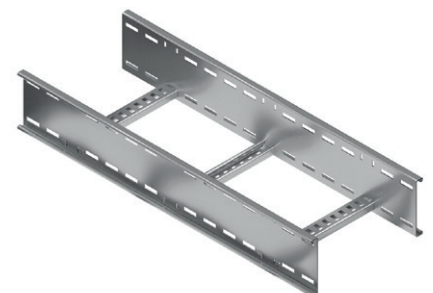
Width mm	125mm Deep – 3M Long	125mm Deep – 6M long
150	LSL125/0150PG/3	LSL125/0150PG/6
300	LSL125/0300PG/3	LSL125/0300PG/6
450	LSL125/0450PG/3	LSL125/0450PG/6
600	LSL125/0600PG/3	LSL125/0600PG/6
750	LSL125/0750PG/3	LSL125/0750PG/6
900	LSL125/0900PG/3	LSL125/0900PG/6



Extra heavy duty – 150mm deep

Finish: pre-galvanised = PG

Width mm	150mm Deep – 3M Long	150mm Deep – 6M Long
150	LSL150/0150PG/3	LSL150/0150PG/6
300	LSL150/0300PG/3	LSL150/0300PG/6
450	LSL150/0450PG/3	LSL150/0450PG/6
600	LSL150/0600PG/3	LSL150/0600PG/6
750	LSL150/0750PG/3	LSL150/0750PG/6
900	LSL150/0900PG/3	LSL150/0900PG/6



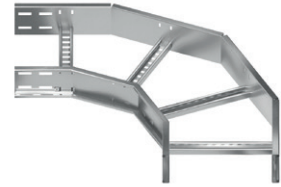
Flat Bends

90° flat bend

Standard radius 300mm = R300, other radii R450, R600, R750 and R900 (made to order).

Finish: pre-galvanised = PG

Width mm	Light duty 50mm Deep	Medium duty 100mm Deep	Heavy duty 125mm Deep	Extra heavy duty 150mm Deep
150	LFB050/0150PG/90R300	LFB100/0150PG/90R300	LFB125/0150PG/90R300	LFB150/0150PG/90R300
300	LFB050/0300PG/90R300	LFB100/0300PG/90R300	LFB125/0300PG/90R300	LFB150/0300PG/90R300
450	LFB050/0450PG/90R300	LFB100/0450PG/90R300	LFB125/0450PG/90R300	LFB150/0450PG/90R300
600	N/A	LFB100/0600PG/90R300	LFB125/0600PG/90R300	LFB150/0600PG/90R300
750	N/A	LFB100/0750PG/90R300	LFB125/0750PG/90R300	LFB150/0750PG/90R300
900	N/A	LFB100/0900PG/90R300	LFB125/0900PG/90R300	LFB150/0900PG/90R300

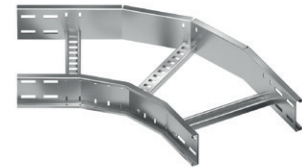


60° flat bend (made to order)

Standard radius 300mm = R300, other radii R450, R600, R750 and R900 (made to order).

Finish: pre-galvanised = PG

Width mm	Light duty 50mm Deep	Medium duty 100mm Deep	Heavy duty 125mm Deep	Extra heavy duty 150mm Deep
150	LFB050/0150PG/60R300	LFB100/0150PG/60R300	LFB125/0150PG/60R300	LFB150/0150PG/60R300
300	LFB050/0300PG/60R300	LFB100/0300PG/60R300	LFB125/0300PG/60R300	LFB150/0300PG/60R300
450	LFB050/0450PG/60R300	LFB100/0450PG/60R300	LFB125/0450PG/60R300	LFB150/0450PG/60R300
600	N/A	LFB100/0600PG/60R300	LFB125/0600PG/60R300	LFB150/0600PG/60R300
750	N/A	LFB100/0750PG/60R300	LFB125/0750PG/60R300	LFB150/0750PG/60R300
900	N/A	LFB100/0900PG/60R300	LFB125/0900PG/60R300	LFB150/0900PG/60R300

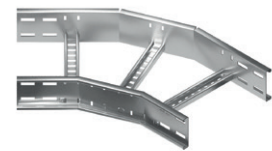


45° flat bend (made to order)

Standard radius 300mm = R300, other radii R450, R600, R750 and R900 (made to order).

Finish: pre-galvanised = PG

Width mm	Light duty 50mm Deep	Medium duty 100mm Deep	Heavy duty 125mm Deep	Extra heavy duty 150mm Deep
150	LFB050/0150PG/45R300	LFB100/0150PG/45R300	LFB125/0150PG/45R300	LFB150/0150PG/45R300
300	LFB050/0300PG/45R300	LFB100/0300PG/45R300	LFB125/0300PG/45R300	LFB150/0300PG/45R300
450	LFB050/0450PG/45R300	LFB100/0450PG/45R300	LFB125/0450PG/45R300	LFB150/0450PG/45R300
600	N/A	LFB100/0600PG/45R300	LFB125/0600PG/45R300	LFB150/0600PG/45R300
750	N/A	LFB100/0750PG/45R300	LFB125/0750PG/45R300	LFB150/0750PG/45R300
900	N/A	LFB100/0900PG/45R300	LFB125/0900PG/45R300	LFB150/0900PG/45R300

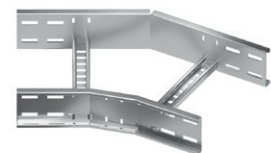


30° flat bend (made to order)

Standard radius 300mm = R300, other radii R450, R600, R750 and R900 (made to order).

Finish: pre-galvanised = PG

Width mm	Light duty 50mm Deep	Medium duty 100mm Deep	Heavy duty 125mm Deep	Extra heavy duty 150mm Deep
150	LFB050/0150PG/30R300	LFB100/0150PG/30R300	LFB125/0150PG/30R300	LFB150/0150PG/30R300
300	LFB050/0300PG/30R300	LFB100/0300PG/30R300	LFB125/0300PG/30R300	LFB150/0300PG/30R300
450	LFB050/0450PG/30R300	LFB100/0450PG/30R300	LFB125/0450PG/30R300	LFB150/0450PG/30R300
600	N/A	LFB100/0600PG/30R300	LFB125/0600PG/30R300	LFB150/0600PG/30R300
750	N/A	LFB100/0750PG/30R300	LFB125/0750PG/30R300	LFB150/0750PG/30R300
900	N/A	LFB100/0900PG/30R300	LFB125/0900PG/30R300	LFB150/0900PG/30R300



Tees & Crossovers

Equal tee

Standard radius 300mm = R300, other radii R450, R600, R750 and R900 (made to order).

Finish: pre-galvanised = PG

Width mm	Light duty 50mm Deep	Medium duty 100mm Deep	Heavy duty 125mm Deep	Extra heavy duty 150mm Deep
150	LET050/0150PGR300	LET100/0150PGR300	LET125/0150PGR300	LET150/0150PGR300
300	LET050/0300PGR300	LET100/0300PGR300	LET125/0300PGR300	LET150/0300PGR300
450	LET050/0450PGR300	LET100/0450PGR300	LET125/0450PGR300	LET150/0450PGR300
600	N/A	LET100/0600PGR300	LET125/0600PGR300	LET150/0600PGR300
750	N/A	LET100/0750PGR300	LET125/0750PGR300	LET150/0750PGR300
900	N/A	LET100/0900PGR300	LET125/0900PGR300	LET150/0900PGR300



Unequal tee (made to order)

Standard radius 300mm = R300, other radii R450, R600, R750 and R900.

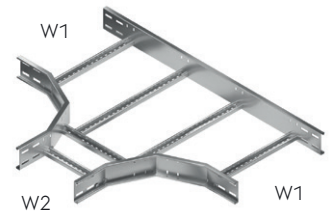
Finish: pre-galvanised = PG

How to generate the part number – LUT(depth)/W1/W2(finish)(radius)

Example – LUT100/0300/0150PGR300

Table below shows a complete list of W1 and W2 combinations.

W1	W2
150	300, 450, 600, 750, 900
300	150, 450, 600, 750, 900
450	150, 300, 600, 750, 900
600	150, 300, 450, 750, 900
750	150, 300, 450, 600, 900
900	150, 300, 450, 600, 750

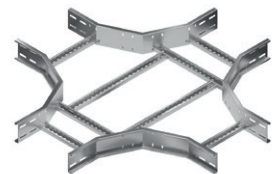


Crossover

Standard radius 300mm = R300, other radii R450, R600, R750 and R900 (made to order).

Finish: pre-galvanised = PG

Width mm	Light duty 50mm Deep	Medium duty 100mm Deep	Heavy duty 125mm Deep	Extra heavy duty 150mm Deep
150	LCO050/0150PGR300	LCO100/0150PGR300	LCO125/0150PGR300	LCO150/0150PGR300
300	LCO050/0300PGR300	LCO100/0300PGR300	LCO125/0300PGR300	LCO150/0300PGR300
450	LCO050/0450PGR300	LCO100/0450PGR300	LCO125/0450PGR300	LCO150/0450PGR300
600	N/A	LCO100/0600PGR300	LCO125/0600PGR300	LCO150/0600PGR300
750	N/A	LCO100/0750PGR300	LCO125/0750PGR300	LCO150/0750PGR300
900	N/A	LCO100/0900PGR300	LCO125/0900PGR300	LCO150/0900PGR300

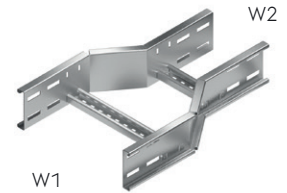


Reducers

Straight reducer

Finish: pre-galvanised = PG

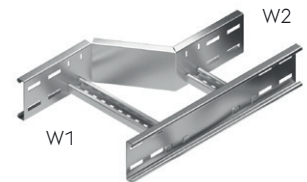
Width mm		Light duty 50mm Deep	Medium duty 100mm Deep	Heavy duty 125mm Deep	Extra heavy duty 150mm Deep
W1	W2				
300	150	LSR050/0300/0150PG	LSR100/0300/0150PG	LSR125/0300/0150PG	LSR150/0300/0150PG
450	150	LSR050/0450/0150PG	LSR100/0450/0150PG	LSR125/0450/0150PG	LSR150/0450/0150PG
600	150	N/A	LSR100/0600/0150PG	LSR125/0600/0150PG	LSR150/0600/0150PG
750	150	N/A	LSR100/0750/0150PG	LSR125/0750/0150PG	LSR150/0750/0150PG
900	150	N/A	LSR100/0900/0150PG	LSR125/0900/0150PG	LSR150/0900/0150PG
450	300	LSR050/0450/0300PG	LSR100/0450/0300PG	LSR125/0450/0300PG	LSR150/0450/0300PG
600	300	N/A	LSR100/0600/0300PG	LSR125/0600/0300PG	LSR150/0600/0300PG
750	300	N/A	LSR100/0750/0300PG	LSR125/0750/0300PG	LSR150/0750/0300PG
900	300	N/A	LSR100/0900/0300PG	LSR125/0900/0300PG	LSR150/0900/0300PG
600	450	N/A	LSR100/0600/0450PG	LSR125/0600/0450PG	LSR150/0600/0450PG
750	450	N/A	LSR100/0750/0450PG	LSR125/0750/0450PG	LSR150/0750/0450PG
900	450	N/A	LSR100/0900/0450PG	LSR125/0900/0450PG	LSR150/0900/0450PG
750	600	N/A	LSR100/0750/0600PG	LSR125/0750/0600PG	LSR150/0750/0600PG
900	600	N/A	LSR100/0900/0600PG	LSR125/0900/0600PG	LSR150/0900/0600PG
900	750	N/A	LSR100/0900/0750PG	LSR125/0900/0750PG	LSR150/0900/0750PG



Left hand reducer

Finish: pre-galvanised = PG

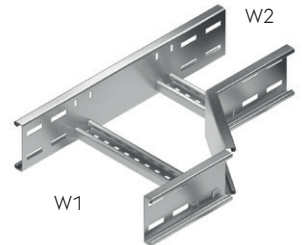
Width mm		Light duty 50mm Deep	Medium duty 100mm Deep	Heavy duty 125mm Deep	Extra heavy duty 150mm Deep
W1	W2				
300	150	LLR050/0300/0150PG	LLR100/0300/0150PG	LLR125/0300/0150PG	LLR150/0300/0150PG
450	150	LLR050/0450/0150PG	LLR100/0450/0150PG	LLR125/0450/0150PG	LLR150/0450/0150PG
600	150	N/A	LLR100/0600/0150PG	LLR125/0600/0150PG	LLR150/0600/0150PG
750	150	N/A	LLR100/0750/0150PG	LLR125/0750/0150PG	LLR150/0750/0150PG
900	150	N/A	LLR100/0900/0150PG	LLR125/0900/0150PG	LLR150/0900/0150PG
450	300	LLR050/0450/0300PG	LLR100/0450/0300PG	LLR125/0450/0300PG	LLR150/0450/0300PG
600	300	N/A	LLR100/0600/0300PG	LLR125/0600/0300PG	LLR150/0600/0300PG
750	300	N/A	LLR100/0750/0300PG	LLR125/0750/0300PG	LLR150/0750/0300PG
900	300	N/A	LLR100/0900/0300PG	LLR125/0900/0300PG	LLR150/0900/0300PG
600	450	N/A	LLR100/0600/0450PG	LLR125/0600/0450PG	LLR150/0600/0450PG
750	450	N/A	LLR100/0750/0450PG	LLR125/0750/0450PG	LLR150/0750/0450PG
900	450	N/A	LLR100/0900/0450PG	LLR125/0900/0450PG	LLR150/0900/0450PG
750	600	N/A	LLR100/0750/0600PG	LLR125/0750/0600PG	LLR150/0750/0600PG
900	600	N/A	LLR100/0900/0600PG	LLR125/0900/0600PG	LLR150/0900/0600PG
900	750	N/A	LLR100/0900/0750PG	LLR125/0900/0750PG	LLR150/0900/0750PG



Right hand reducer

Finish: pre-galvanised = PG

Width mm		Light duty 50mm Deep	Medium duty 100mm Deep	Heavy duty 125mm Deep	Extra heavy duty 150mm Deep
W1	W2				
300	150	LRR050/0300/0150PG	LRR100/0300/0150PG	LRR125/0300/0150PG	LRR150/0300/0150PG
450	150	LRR050/0450/0150PG	LRR100/0450/0150PG	LRR125/0450/0150PG	LRR150/0450/0150PG
600	150	N/A	LRR100/0600/0150PG	LRR125/0600/0150PG	LRR150/0600/0150PG
750	150	N/A	LRR100/0750/0150PG	LRR125/0750/0150PG	LRR150/0750/0150PG
900	150	N/A	LRR100/0900/0150PG	LRR125/0900/0150PG	LRR150/0900/0150PG
450	300	LRR050/0450/0300PG	LRR100/0450/0300PG	LRR125/0450/0300PG	LRR150/0450/0300PG
600	300	N/A	LRR100/0600/0300PG	LRR125/0600/0300PG	LRR150/0600/0300PG
750	300	N/A	LRR100/0750/0300PG	LRR125/0750/0300PG	LRR150/0750/0300PG
900	300	N/A	LRR100/0900/0300PG	LRR125/0900/0300PG	LRR150/0900/0300PG
600	450	N/A	LRR100/0600/0450PG	LRR125/0600/0450PG	LRR150/0600/0450PG
750	450	N/A	LRR100/0750/0450PG	LRR125/0750/0450PG	LRR150/0750/0450PG
900	450	N/A	LRR100/0900/0450PG	LRR125/0900/0450PG	LRR150/0900/0450PG
750	600	N/A	LRR100/0750/0600PG	LRR125/0750/0600PG	LRR150/0750/0600PG
900	600	N/A	LRR100/0900/0600PG	LRR125/0900/0600PG	LRR150/0900/0600PG
900	750	N/A	LRR100/0900/0750PG	LRR125/0900/0750PG	LRR150/0900/0750PG



Risers

90° external riser

Standard radius 300mm = R300, other radii R450, R600, R750 and R900 (made to order)

Finish: pre-galvanised = PG

Width mm	Light duty 50mm Deep	Medium duty 100mm Deep	Heavy duty 125mm Deep	Extra heavy duty 150mm Deep
150	LER050/0150PG/90R300	LER100/0150PG/90R300	LER125/0150PG/90R300	LER150/0150PG/90R300
300	LER050/0300PG/90R300	LER100/0300PG/90R300	LER125/0300PG/90R300	LER150/0300PG/90R300
450	LER050/0450PG/90R300	LER100/0450PG/90R300	LER125/0450PG/90R300	LER150/0450PG/90R300
600	N/A	LER100/0600PG/90R300	LER125/0600PG/90R300	LER150/0600PG/90R300
750	N/A	LER100/0750PG/90R300	LER125/0750PG/90R300	LER150/0750PG/90R300
900	N/A	LER100/0900PG/90R300	LER125/0900PG/90R300	LER150/0900PG/90R300



60° external riser

Standard radius 300mm = R300, other radii R450, R600, R750 and R900 (made to order)

Finish: pre-galvanised = PG

Width mm	Light duty 50mm Deep	Medium duty 100mm Deep	Heavy duty 125mm Deep	Extra heavy duty 150mm Deep
150	LER050/0150PG/60R300	LER100/0150PG/60R300	LER125/0150PG/60R300	LER150/0150PG/60R300
300	LER050/0300PG/60R300	LER100/0300PG/60R300	LER125/0300PG/60R300	LER150/0300PG/60R300
450	LER050/0450PG/60R300	LER100/0450PG/60R300	LER125/0450PG/60R300	LER150/0450PG/60R300
600	N/A	LER100/0600PG/60R300	LER125/0600PG/60R300	LER150/0600PG/60R300
750	N/A	LER100/0750PG/60R300	LER125/0750PG/60R300	LER150/0750PG/60R300
900	N/A	LER100/0900PG/60R300	LER125/0900PG/60R300	LER150/0900PG/60R300



45° external riser

Standard radius 300mm = R300, other radii R450, R600, R750 and R900 (made to order)

Finish: pre-galvanised = PG

Width mm	Light duty 50mm Deep	Medium duty 100mm Deep	Heavy duty 125mm Deep	Extra heavy duty 150mm Deep
150	LER050/0150PG/45R300	LER100/0150PG/45R300	LER125/0150PG/45R300	LER150/0150PG/45R300
300	LER050/0300PG/45R300	LER100/0300PG/45R300	LER125/0300PG/45R300	LER150/0300PG/45R300
450	LER050/0450PG/45R300	LER100/0450PG/45R300	LER125/0450PG/45R300	LER150/0450PG/45R300
600	N/A	LER100/0600PG/45R300	LER125/0600PG/45R300	LER150/0600PG/45R300
750	N/A	LER100/0750PG/45R300	LER125/0750PG/45R300	LER150/0750PG/45R300
900	N/A	LER100/0900PG/45R300	LER125/0900PG/45R300	LER150/0900PG/45R300



30° external riser

Standard radius 300mm = R300, other radii R450, R600, R750 and R900 (made to order)

Finish: pre-galvanised = PG

Width mm	Light duty 50mm Deep	Medium duty 100mm Deep	Heavy duty 125mm Deep	Extra heavy duty 150mm Deep
150	LER050/0150PG/30R300	LER100/0150PG/30R300	LER125/0150PG/30R300	LER150/0150PG/30R300
300	LER050/0300PG/30R300	LER100/0300PG/30R300	LER125/0300PG/30R300	LER150/0300PG/30R300
450	LER050/0450PG/30R300	LER100/0450PG/30R300	LER125/0450PG/30R300	LER150/0450PG/30R300
600	N/A	LER100/0600PG/30R300	LER125/0600PG/30R300	LER150/0600PG/30R300
750	N/A	LER100/0750PG/30R300	LER125/0750PG/30R300	LER150/0750PG/30R300
900	N/A	LER100/0900PG/30R300	LER125/0900PG/30R300	LER150/0900PG/30R300



90° internal riser

Standard radius 300mm = R300, other radii R450, R600, R750 and R900 (made to order)

Finish: pre-galvanised = PG

Width mm	Light duty 50mm Deep	Medium duty 100mm Deep	Heavy duty 125mm Deep	Extra heavy duty 150mm Deep
150	LIR050/0150PG/90R300	LIR100/0150PG/90R300	LIR125/0150PG/90R300	LIR150/0150PG/90R300
300	LIR050/0300PG/90R300	LIR100/0300PG/90R300	LIR125/0300PG/90R300	LIR150/0300PG/90R300
450	LIR050/0450PG/90R300	LIR100/0450PG/90R300	LIR125/0450PG/90R300	LIR150/0450PG/90R300
600	N/A	LIR100/0600PG/90R300	LIR125/0600PG/90R300	LIR150/0600PG/90R300
750	N/A	LIR100/0750PG/90R300	LIR125/0750PG/90R300	LIR150/0750PG/90R300
900	N/A	LIR100/0900PG/90R300	LIR125/0900PG/90R300	LIR150/0900PG/90R300



60° internal riser

Standard radius 300mm = R300, other radii R450, R600, R750 and R900 (made to order)

Finish: pre-galvanised = PG

Width mm	Light duty 50mm Deep	Medium duty 100mm Deep	Heavy duty 125mm Deep	Extra heavy duty 150mm Deep
150	LIR050/0150PG/60R300	LIR100/0150PG/60R300	LIR125/0150PG/60R300	LIR150/0150PG/60R300
300	LIR050/0300PG/60R300	LIR100/0300PG/60R300	LIR125/0300PG/60R300	LIR150/0300PG/60R300
450	LIR050/0450PG/60R300	LIR100/0450PG/60R300	LIR125/0450PG/60R300	LIR150/0450PG/60R300
600	N/A	LIR100/0600PG/60R300	LIR125/0600PG/60R300	LIR150/0600PG/60R300
750	N/A	LIR100/0750PG/60R300	LIR125/0750PG/60R300	LIR150/0750PG/60R300
900	N/A	LIR100/0900PG/60R300	LIR125/0900PG/60R300	LIR150/0900PG/60R300

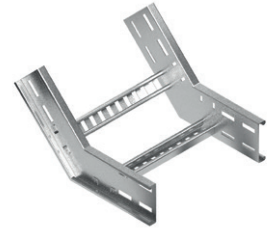


45° internal riser

Standard radius 300mm = R300, other radii R450, R600, R750 and R900 (made to order)

Finish: pre-galvanised = PG

Width mm	Light duty 50mm Deep	Medium duty 100mm Deep	Heavy duty 125mm Deep	Extra heavy duty 150mm Deep
150	LIR050/0150PG/45R300	LIR100/0150PG/45R300	LIR125/0150PG/45R300	LIR150/0150PG/45R300
300	LIR050/0300PG/45R300	LIR100/0300PG/45R300	LIR125/0300PG/45R300	LIR150/0300PG/45R300
450	LIR050/0450PG/45R300	LIR100/0450PG/45R300	LIR125/0450PG/45R300	LIR150/0450PG/45R300
600	N/A	LIR100/0600PG/45R300	LIR125/0600PG/45R300	LIR150/0600PG/45R300
750	N/A	LIR100/0750PG/45R300	LIR125/0750PG/45R300	LIR150/0750PG/45R300
900	N/A	LIR100/0900PG/45R300	LIR125/0900PG/45R300	LIR150/0900PG/45R300

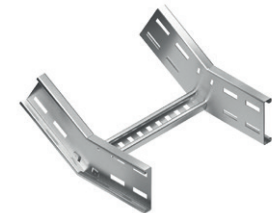


30° internal riser

Standard radius 300mm = R300, other radii R450, R600, R750 and R900 (made to order)

Finish: pre-galvanised = PG

Width mm	Light duty 50mm Deep	Medium duty 100mm Deep	Heavy duty 125mm Deep	Extra heavy duty 150mm Deep
150	LIR050/0150PG/30R300	LIR100/0150PG/30R300	LIR125/0150PG/30R300	LIR150/0150PG/30R300
300	LIR050/0300PG/30R300	LIR100/0300PG/30R300	LIR125/0300PG/30R300	LIR150/0300PG/30R300
450	LIR050/0450PG/30R300	LIR100/0450PG/30R300	LIR125/0450PG/30R300	LIR150/0450PG/30R300
600	N/A	LIR100/0600PG/30R300	LIR125/0600PG/30R300	LIR150/0600PG/30R300
750	N/A	LIR100/0750PG/30R300	LIR125/0750PG/30R300	LIR150/0750PG/30R300
900	N/A	LIR100/0900PG/30R300	LIR125/0900PG/30R300	LIR150/0900PG/30R300



Articulated riser

Finish: pre-galvanised = PG

Width mm	Light duty 50mm Deep	Medium duty 100mm Deep	Heavy duty 125mm Deep	Extra heavy duty 150mm Deep
150	N/A	L/AR100/0150PG	L/AR125/0150PG	L/AR150/0150PG
300	N/A	L/AR100/0300PG	L/AR125/0300PG	L/AR150/0300PG
450	N/A	L/AR100/0450PG	L/AR125/0450PG	L/AR150/0450PG
600	N/A	L/AR100/0600PG	L/AR125/0600PG	L/AR150/0600PG
750	N/A	L/AR100/0750PG	L/AR125/0750PG	L/AR150/0750PG
900	N/A	L/AR100/0900PG	L/AR125/0900PG	L/AR150/0900PG



Covers

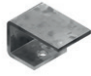

Cover – straight length – 1.5m long (and fixing clamps)

Finish: pre-galvanised = PG

Standard closed covers = C, ventilated cover = CV

Includes fixing clamps and fasteners, 2 covers required for 3m ladder, 4 covers for 6m ladder

Width mm	
150	LSLC/0150PG/1.5
300	LSLC/0300PG/1.5
450	LSLC/0450PG/1.5
600	LSLC/0600PG/1.5
750	LSLC/0750PG/1.5
900	LSLC/0900PG/1.5

Extra fixing clamps Pack of 10 (includes fasteners)	
Closed cover clip	
L/CCCPG	
Ventilated cover clip	
L/CCVPG	



Cover – 90° flat bend

Standard radius 300mm = R300, other radii R450, R600, R750 and R900 (made to order).

Finish: pre-galvanised = PG

Standard closed covers = C, ventilated cover = CV

Includes fixing clamps and fasteners

Width mm	
150	LFBC/0150PG/90R300
300	LFBC/0300PG/90R300
450	LFBC/0450PG/90R300
600	LFBC/0600PG/90R300
750	LFBC/0750PG/90R300
900	LFBC/0900PG/90R300



Cover – 60° flat bend

Standard radius 300mm = R300, other radii R450, R600, R750 and R900 (made to order).

Finish: pre-galvanised = PG

Standard closed covers = C, ventilated cover = CV

Includes fixing clamps and fasteners

Width mm	
150	LFBC/0150PG/60R300
300	LFBC/0300PG/60R300
450	LFBC/0450PG/60R300
600	LFBC/0600PG/60R300
750	LFBC/0750PG/60R300
900	LFBC/0900PG/60R300



Cover – 45° flat bend

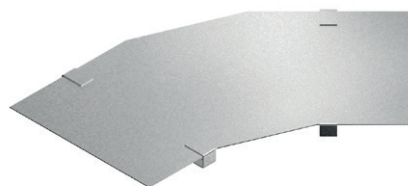
Standard radius 300mm = R300, other radii R450, R600, R750 and R900 (made to order).

Finish: pre-galvanised = PG

Standard closed covers = C, ventilated cover = CV

Includes fixing clamps and fasteners

Width mm	
150	LFBC/0150PG/45R300
300	LFBC/0300PG/45R300
450	LFBC/0450PG/45R300
600	LFBC/0600PG/45R300
750	LFBC/0750PG/45R300
900	LFBC/0900PG/45R300



Cover – 30° flat bend

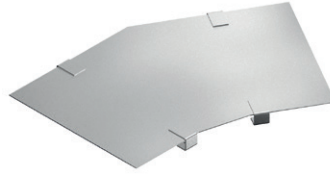
Standard radius 300mm = R300, other radii R450, R600, R750 and R900 (made to order).

Finish: pre-galvanised = PG

Standard closed covers = C, ventilated cover = CV

Includes fixing clamps and fasteners

Width mm	
150	LFBC/0150PG/30R300
300	LFBC/0300PG/30R300
450	LFBC/0450PG/30R300
600	LFBC/0600PG/30R300
750	LFBC/0750PG/30R300
900	LFBC/0900PG/30R300



Cover – equal tee

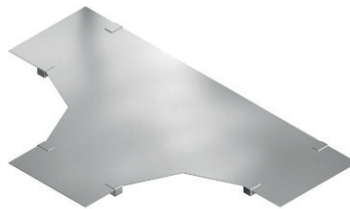
Standard radius 300mm = R300, other radii R450, R600, R750 and R900 (made to order).

Finish: pre-galvanised = PG

Standard closed covers = C, ventilated cover = CV

Includes fixing clamps and fasteners

Width mm	
150	LETC/0150PGR300
300	LETC/0300PGR300
450	LETC/0450PGR300
600	LETC/0600PGR300
750	LETC/0750PGR300
900	LETC/0900PGR300



Cover – unequal tee (made to order)

Standard radius 300mm = R300, other radii R450, R600, R750 and R900 (made to order).

Finish: pre-galvanised = PG

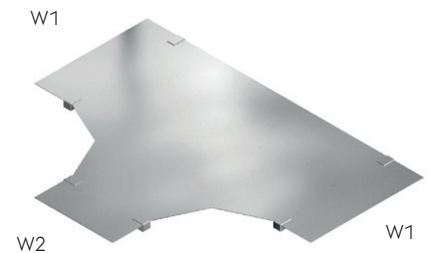
Standard closed covers = C, ventilated cover = CV. Includes fixing clamps and fasteners

How to generate the part number – LUTC/W1/W2(finish)(radius)

Example – LUTC/0300/0150PGR300

Table below shows a complete list of W1 and W2 combinations.

W1	W2
150	300, 450, 600, 750, 900
300	150, 450, 600, 750, 900
450	150, 300, 600, 750, 900
600	150, 300, 450, 750, 900
750	150, 300, 450, 600, 900
900	150, 300, 450, 600, 750



Cover – crossover

Standard radius 300mm = R300, other radii R450, R600, R750 and R900 (made to order).

Finish: pre-galvanised = PG

Standard closed covers = C, ventilated cover = CV

Includes fixing clamps and fasteners

Width mm	
150	LCOC/0150PGR300
300	LCOC/0300PGR300
450	LCOC/0450PGR300
600	LCOC/0600PGR300
750	LCOC/0750PGR300
900	LCOC/0900PGR300



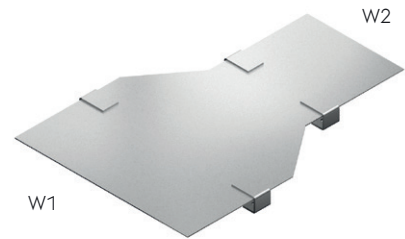
Cover – straight reducer

Finish: pre-galvanised = PG

Standard closed covers = C, ventilated cover = CV

Includes fixing clamps and fasteners

Width mm		
W1	W2	
300	150	LSRC100/0300/0150PG
450	150	LSRC100/0450/0150PG
600	150	LSRC100/0600/0150PG
750	150	LSRC100/0750/0150PG
900	150	LSRC100/0900/0150PG
450	300	LSRC100/0450/0300PG
600	300	LSRC100/0600/0300PG
750	300	LSRC100/0750/0300PG
900	300	LSRC100/0900/0300PG
600	450	LSRC100/0600/0450PG
750	450	LSRC100/0750/0450PG
900	450	LSRC100/0900/0450PG
750	600	LSRC100/0750/0600PG
900	600	LSRC100/0900/0600PG
900	750	LSRC100/0900/0750PG



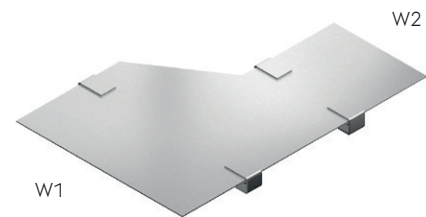
Cover – left hand reducer

Finish: pre-galvanised = PG

Standard closed covers = C, ventilated cover = CV

Includes fixing clamps and fasteners

Width mm		
W1	W2	
300	150	LLRC100/0300/0150PG
450	150	LLRC100/0450/0150PG
600	150	LLRC100/0600/0150PG
750	150	LLRC100/0750/0150PG
900	150	LLRC100/0900/0150PG
450	300	LLRC100/0450/0300PG
600	300	LLRC100/0600/0300PG
750	300	LLRC100/0750/0300PG
900	300	LLRC100/0900/0300PG
600	450	LLRC100/0600/0450PG
750	450	LLRC100/0750/0450PG
900	450	LLRC100/0900/0450PG
750	600	LLRC100/0750/0600PG
900	600	LLRC100/0900/0600PG
900	750	LLRC100/0900/0750PG



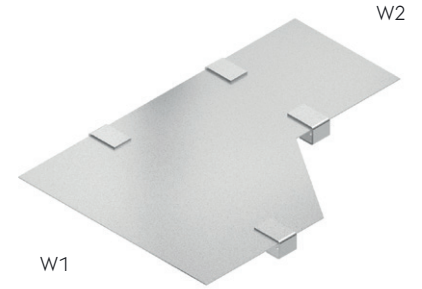
Cover – right hand reducer

Finish: pre-galvanised = PG

Standard closed covers = C, ventilated cover = CV

Includes fixing clamps and fasteners

Width mm		
W1	W2	
300	150	LRRC100/0300/0150PG
450	150	LRRC100/0450/0150PG
600	150	LRRC100/0600/0150PG
750	150	LRRC100/0750/0150PG
900	150	LRRC100/0900/0150PG
450	300	LRRC100/0450/0300PG
600	300	LRRC100/0600/0300PG
750	300	LRRC100/0750/0300PG
900	300	LRRC100/0900/0300PG
600	450	LRRC100/0600/0450PG
750	450	LRRC100/0750/0450PG
900	450	LRRC100/0900/0450PG
750	600	LRRC100/0750/0600PG
900	600	LRRC100/0900/0600PG
900	750	LRRC100/0900/0750PG



Cover – 90° external riser

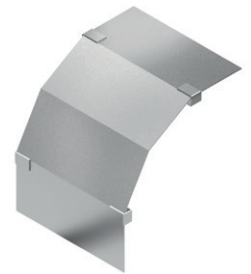
Standard radius 300mm = R300, other radii R450, R600, R750 and R900 (Made to order)

Finish: pre-galvanised = PG

Standard closed covers = C, ventilated cover = CV

Includes fixing clamps and fasteners

Width mm	Light duty 50mm Deep	Medium duty 100mm Deep	Heavy duty 125mm Deep	Extra heavy duty 150mm Deep
150	LERC050/0150PG/90R300	LERC100/0150PG/90R300	LERC125/0150PG/90R300	LERC150/0150PG/90R300
300	LERC050/0300PG/90R300	LERC100/0300PG/90R300	LERC125/0300PG/90R300	LERC150/0300PG/90R300
450	LERC050/0450PG/90R300	LERC100/0450PG/90R300	LERC125/0450PG/90R300	LERC150/0450PG/90R300
600	N/A	LERC100/0600PG/90R300	LERC125/0600PG/90R300	LERC150/0600PG/90R300
750	N/A	LERC100/0750PG/90R300	LERC125/0750PG/90R300	LERC150/0750PG/90R300
900	N/A	LERC100/0900PG/90R300	LERC125/0900PG/90R300	LERC150/0900PG/90R300



Cover – 60° external riser

Standard radius 300mm = R300, other radii R450, R600, R750 and R900 (Made to order)

Finish: pre-galvanised = PG

Standard closed covers = C, ventilated cover = CV

Includes fixing clamps and fasteners

Width mm	Light duty 50mm Deep	Medium duty 100mm Deep	Heavy duty 125mm Deep	Extra heavy duty 150mm Deep
150	LERC050/0150PG/60R300	LERC100/0150PG/60R300	LERC125/0150PG/60R300	LERC150/0150PG/60R300
300	LERC050/0300PG/60R300	LERC100/0300PG/60R300	LERC125/0300PG/60R300	LERC150/0300PG/60R300
450	LERC050/0450PG/60R300	LERC100/0450PG/60R300	LERC125/0450PG/60R300	LERC150/0450PG/60R300
600	N/A	LERC100/0600PG/60R300	LERC125/0600PG/60R300	LERC150/0600PG/60R300
750	N/A	LERC100/0750PG/60R300	LERC125/0750PG/60R300	LERC150/0750PG/60R300
900	N/A	LERC100/0900PG/60R300	LERC125/0900PG/60R300	LERC150/0900PG/60R300



Cover – 45° external riser

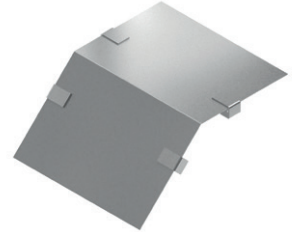
Standard radius 300mm = R300, other radii R450, R600, R750 and R900 (Made to order)

Finish: pre-galvanised = PG

Standard closed covers = C, ventilated cover = CV

Includes fixing clamps and fasteners

Width mm	Light duty 50mm Deep	Medium duty 100mm Deep	Heavy duty 125mm Deep	Extra heavy duty 150mm Deep
150	LERC050/0150PG/45R300	LERC100/0150PG/45R300	LERC125/0150PG/45R300	LERC150/0150PG/45R300
300	LERC050/0300PG/45R300	LERC100/0300PG/45R300	LERC125/0300PG/45R300	LERC150/0300PG/45R300
450	LERC050/0450PG/45R300	LERC100/0450PG/45R300	LERC125/0450PG/45R300	LERC150/0450PG/45R300
600	N/A	LERC100/0600PG/45R300	LERC125/0600PG/45R300	LERC150/0600PG/45R300
750	N/A	LERC100/0750PG/45R300	LERC125/0750PG/45R300	LERC150/0750PG/45R300
900	N/A	LERC100/0900PG/45R300	LERC125/0900PG/45R300	LERC150/0900PG/45R300



Cover – 30° external riser

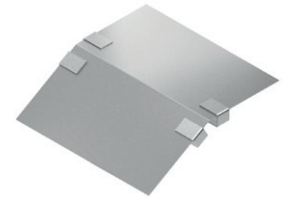
Standard radius 300mm = R300, other radii R450, R600, R750 and R900 (Made to order)

Finish: pre-galvanised = PG

Standard closed covers = C, ventilated cover = CV

Includes fixing clamps and fasteners

Width mm	Light duty 50mm Deep	Medium duty 100mm Deep	Heavy duty 125mm Deep	Extra heavy duty 150mm Deep
150	LERC050/0150PG/30R300	LERC100/0150PG/30R300	LERC125/0150PG/30R300	LERC150/0150PG/30R300
300	LERC050/0300PG/30R300	LERC100/0300PG/30R300	LERC125/0300PG/30R300	LERC150/0300PG/30R300
450	LERC050/0450PG/30R300	LERC100/0450PG/30R300	LERC125/0450PG/30R300	LERC150/0450PG/30R300
600	N/A	LERC100/0600PG/30R300	LERC125/0600PG/30R300	LERC150/0600PG/30R300
750	N/A	LERC100/0750PG/30R300	LERC125/0750PG/30R300	LERC150/0750PG/30R300
900	N/A	LERC100/0900PG/30R300	LERC125/0900PG/30R300	LERC150/0900PG/30R300



Cover – 90° internal riser

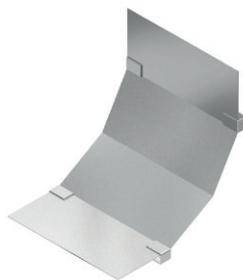
Standard radius 300mm = R300, other radii R450, R600, R750 and R900 (Made to order)

Finish: pre-galvanised = PG

Standard closed covers = C, ventilated cover = CV

Includes fixing clamps and fasteners

Width mm	
150	LIRC/0150PG/90R300
300	LIRC/0300PG/90R300
450	LIRC/0450PG/90R300
600	LIRC/0600PG/90R300
750	LIRC/0750PG/90R300
900	LIRC/0900PG/90R300



Cover – 60° internal riser

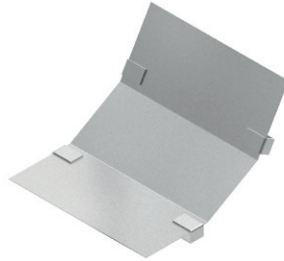
Standard radius 300mm = R300, other radii R450, R600, R750 and R900 (Made to order)

Finish: pre-galvanised = PG

Standard closed covers = C, ventilated cover = CV

Includes fixing clamps and fasteners

Width mm	
150	LIRC/0150PG/60R300
300	LIRC/0300PG/60R300
450	LIRC/0450PG/60R300
600	LIRC/0600PG/60R300
750	LIRC/0750PG/60R300
900	LIRC/0900PG/60R300



Cover – 45° internal riser

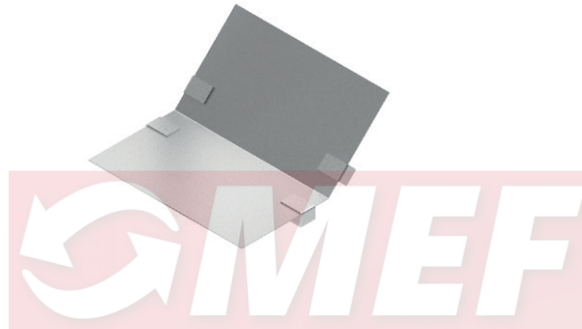
Standard radius 300mm = R300, other radii R450, R600, R750 and R900 (Made to order)

Finish: pre-galvanised = PG

Standard closed covers = C, ventilated cover = CV

Includes fixing clamps and fasteners

Width mm	
150	LIRC/0150PG/45R300
300	LIRC/0300PG/45R300
450	LIRC/0450PG/45R300
600	LIRC/0600PG/45R300
750	LIRC/0750PG/45R300
900	LIRC/0900PG/45R300



Cover – 30° internal riser

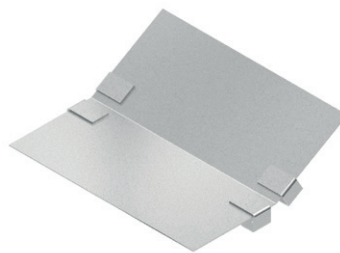
Standard radius 300mm = R300, other radii R450, R600, R750 and R900 (Made to order)

Finish: pre-galvanised = PG

Standard closed covers = C, ventilated cover = CV

Includes fixing clamps and fasteners

Width mm	
150	LIRC/0150PG/30R300
300	LIRC/0300PG/30R300
450	LIRC/0450PG/30R300
600	LIRC/0600PG/30R300
750	LIRC/0750PG/30R300
900	LIRC/0900PG/30R300

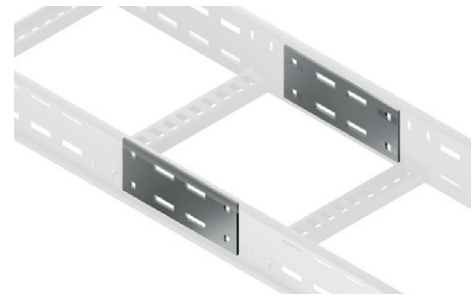


Accessories

Splice plates

Finish: pre-galvanised = PG

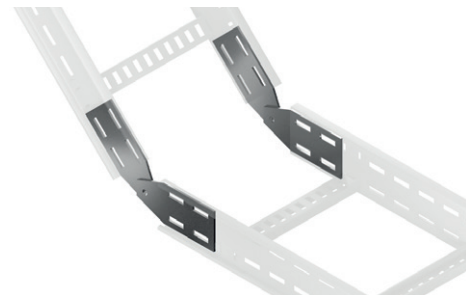
Ladder depth mm	Sold in pairs (includes 16 nuts, bolts and washers)
50	L/SSP50PGPR
100	L/SSP100PGPR
125	L/SSP125PGPR
150	L/SSP150PGPR



Vertical splice plates

Finish: pre-galvanised = PG

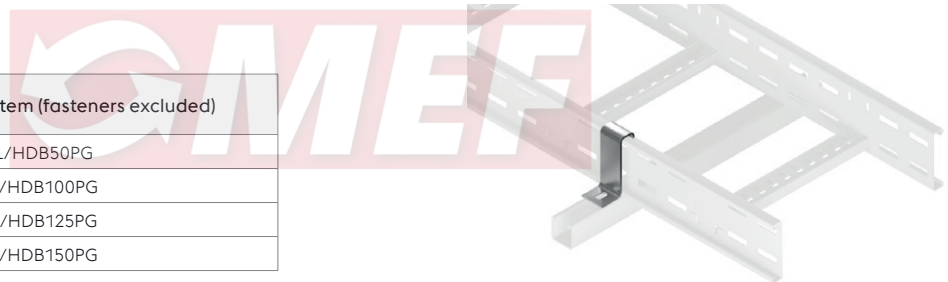
Ladder depth mm	Sold in pairs (includes 16 nuts, bolts and washers)
50	L/VSP50PGPR
100	L/VSP100PGPR
125	L/VSP125PGPR
150	L/VSP150PGPR



Hold down bracket

Finish: pre-galvanised = PG

Ladder depth mm	Sold as single item (fasteners excluded)
50	L/HDB50PG
100	L/HDB100PG
125	L/HDB125PG
150	L/HDB150PG

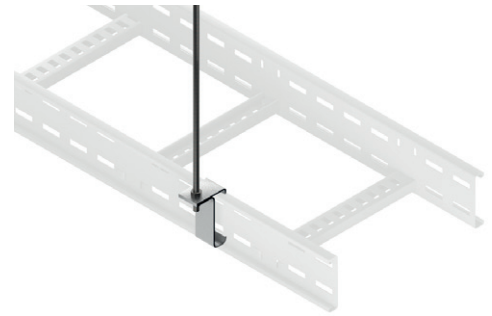


Suspension clip

Finish: pre-galvanised = PG

Slot diameter is 12mm x 20mm.

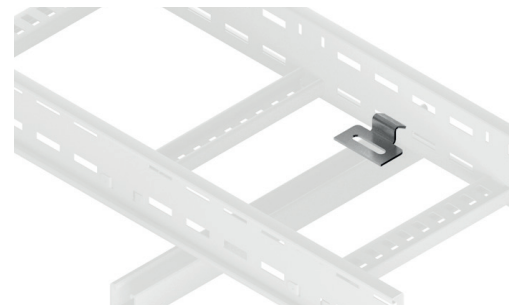
Ladder depth mm	Sold as single item (fasteners excluded)
50	L/SC50PG
100	L/SC100PG
125	L/SC125PG
150	L/SC150PG



Hold down clip

Finish: pre-galvanised = PG

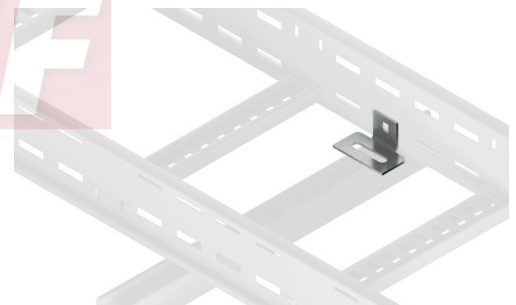
Sold as single item (fasteners excluded)
L/HDC/APG



Bolted hold down clip

Finish: pre-galvanised = PG

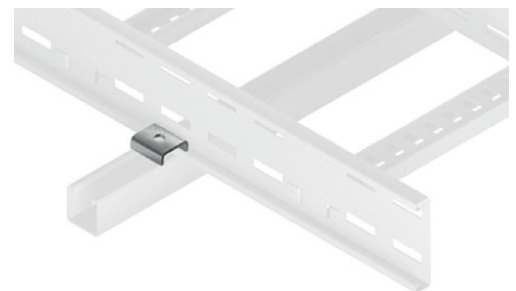
Sold as single item (fasteners excluded)
L/HDC/BPG



Side rail clamp

Finish: pre-galvanised = PG

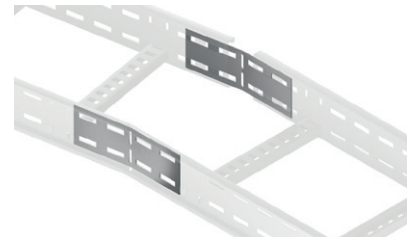
Sold as single item (fasteners excluded)
L/SRCPG



Bendable splice plates

Finish: pre-galvanised = PG

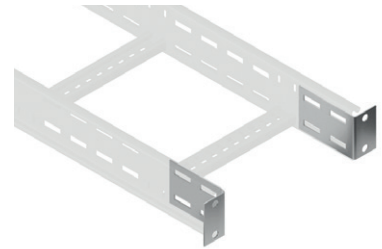
Ladder depth mm	Sold in pairs (includes 16 nuts, bolts and washers)
50	L/BSP050/PGPR
100	L/BSP100/PGPR
125	L/BSP125/PGPR
150	L/BSP150/PGPR



End connectors

Finish: pre-galvanised = PG

Ladder depth mm	Sold in pairs (fasteners excluded)
50	L/ECO50PGPR
100	L/ECO100PGPR
125	L/ECO125PGPR
150	L/ECO150PGPR

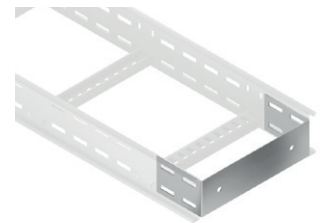


Stop ends

Finish: pre-galvanised = PG

Sold as single item (fasteners excluded)

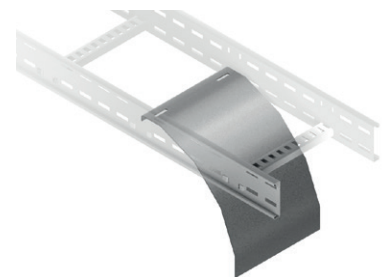
Width mm	Light duty 50mm Deep	Medium duty 100mm Deep	Heavy duty 125mm Deep	Extra heavy duty 150mm Deep
150	L/SE050/0150PG	L/SE100/0150PG	L/SE125/0150PG	L/SE150/0150PG
300	L/SE050/0300PG	L/SE100/0300PG	L/SE125/0300PG	L/SE150/0300PG
450	L/SE050/0450PG	L/SE100/0450PG	L/SE125/0450PG	L/SE150/0450PG
600	N/A	L/SE100/0600PG	L/SE125/0600PG	L/SE150/0600PG
750	N/A	L/SE100/0750PG	L/SE125/0750PG	L/SE150/0750PG
900	N/A	L/SE100/0900PG	L/SE125/0900PG	L/SE150/0900PG



Drop out plates

Finish: pre-galvanised = PG

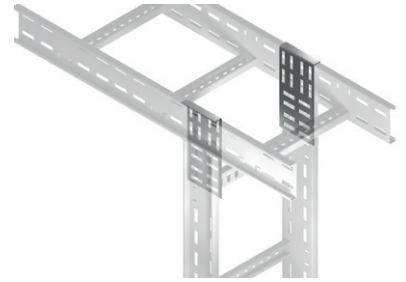
Ladder depth mm	Sold as single item (fasteners excluded)
150	L/DOP150PG
300	L/DOP300PG
450	L/DOP450PG
600	L/DOP600PG
750	L/DOP750PG
900	L/DOP900PG



Drop out brackets

Finish: pre-galvanised = PG

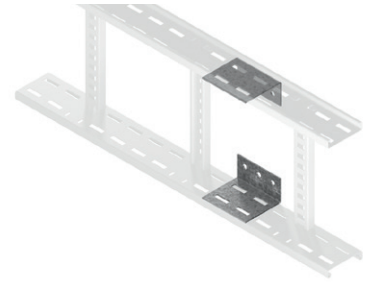
Ladder depth mm	Sold in pairs (fasteners excluded)
50	N/A
100	L/RTR100PGPR
125	L/RTR125PGPR
150	L/RTR150PGPR



Wall brackets

Finish: pre-galvanised = PG

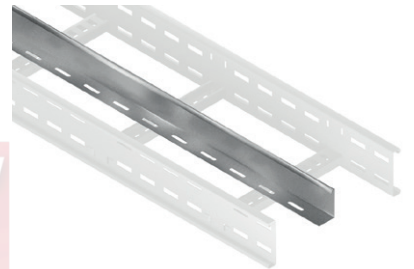
Ladder depth mm	Sold in pairs (fasteners excluded)
50	L/WSB050PGPR
100	L/WSB100PGPR
125	L/WSB125PGPR
150	L/WSB150PGPR



Straight divider – 3m long

Finish: pre-galvanised = PG

Ladder depth mm	Sold as single item (fasteners excluded)
50	LSD050/3PG
100	LSD100/3PG
125	LSD125/3PG
150	LSD150/3PG



Bendable divider – 1m long

Finish: pre-galvanised = PG

Ladder depth mm	Sold as single item (fasteners excluded)
50	LBD050/PG
100	LBD100/PG
125	LBD125/PG
150	LBD150/PG



Earth straps

Finish: copper braid Electro Tinned – 16mm²

Hole diameter is 12mm.

250mm long (fasteners excluded)
L/ES250

