



## MB8 - MALLEABLE CONDUIT BOX

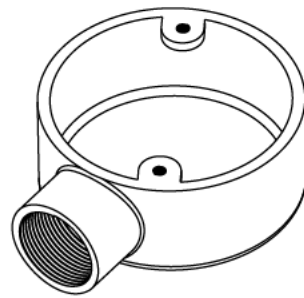
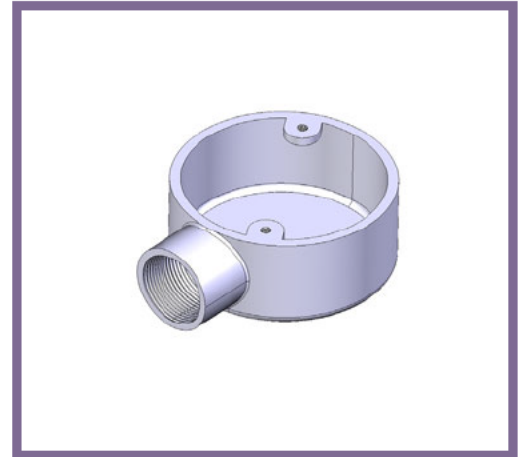
**Description** MB8G / B - 25mm Terminal End Malleable Conduit Box

**Finish** Galvanised (G) or Black Enamel (B)

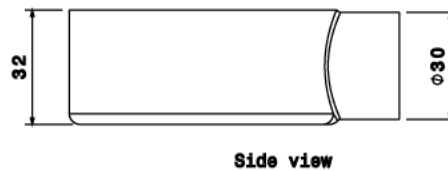
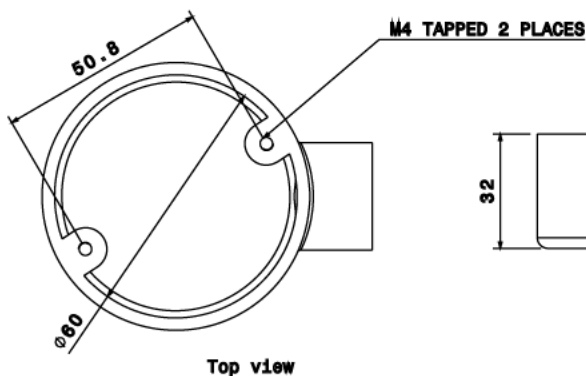
**Material** Malleable Iron

**Packaging** Packed in qty 10

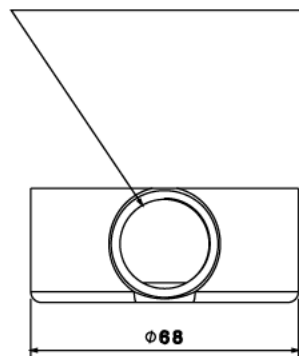
**Additional Notes** Compliant to LU Standard 1-085  
(For use on surface & sub-surface locations)



Isometric view



M25 CONDUIT THREAD x16MM DEEP



All measurements in mm unless otherwise stated