

**PRODUCT CODE: MP43-41-10**  
CHANNEL BRACKET

**DESCRIPTION**

41mm U Bolt Beam Clamp c/w M10 Nuts & Washers

**FINISH**

Plate - Hot dipped Galvanised

**MATERIAL**

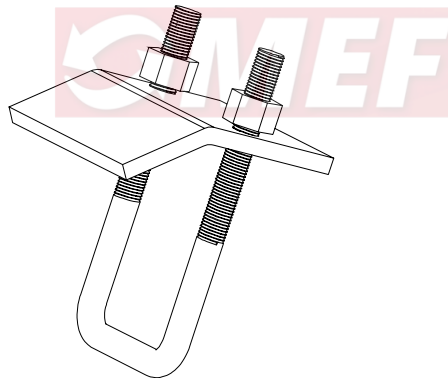
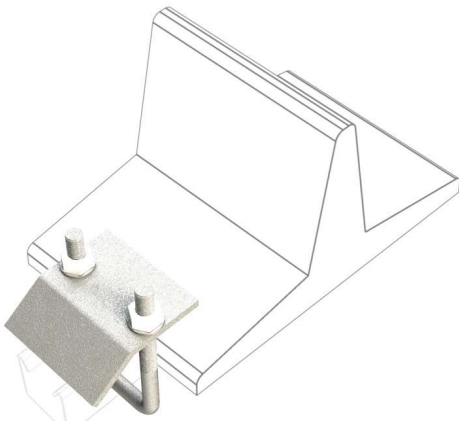
Steel

**PACKAGING**

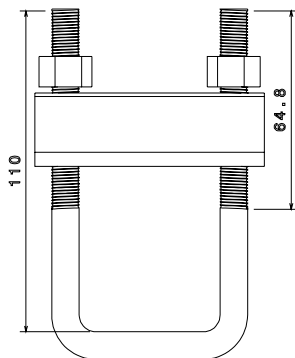
Packed in qty 10

**ADDITIONAL NOTES**

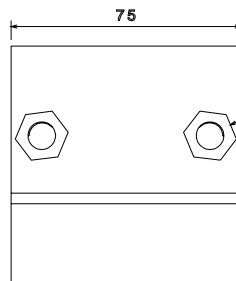
Consists; bracket plate, M10 U BZP bolt, BZP nuts & BZP washers



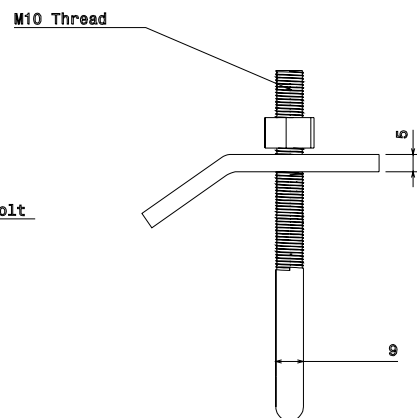
Isometric view



Front view



Top view



Side view