

There is
so much to tell...



FEF3226L3

The wonderful feel of a burning log fire. The place where you can relax, meet, recharge your batteries and share. When a gas fire or wood stove is impossible or undesirable, or for those who prefer "individual design" and specific choices, Faber has the new e-MatriX; Astonishing fire... from water. Fire for anybody, anywhere.





Three-Sided Built-in Electric Firebox



Logs
Realistic charred log set to maximize the illusion of depth and the appearance of burning firewood. Combine with loose embers for a custom display.



Water Connection
Hard plumbed to provide consistent water flow.



Light Module
Provides a pulsating burn on logs for a truly lifelike effect.



Sound Module
Provides the soothing sounds of fire crackling.



Rear Wall Steel
Provides a solid dark interior finish.



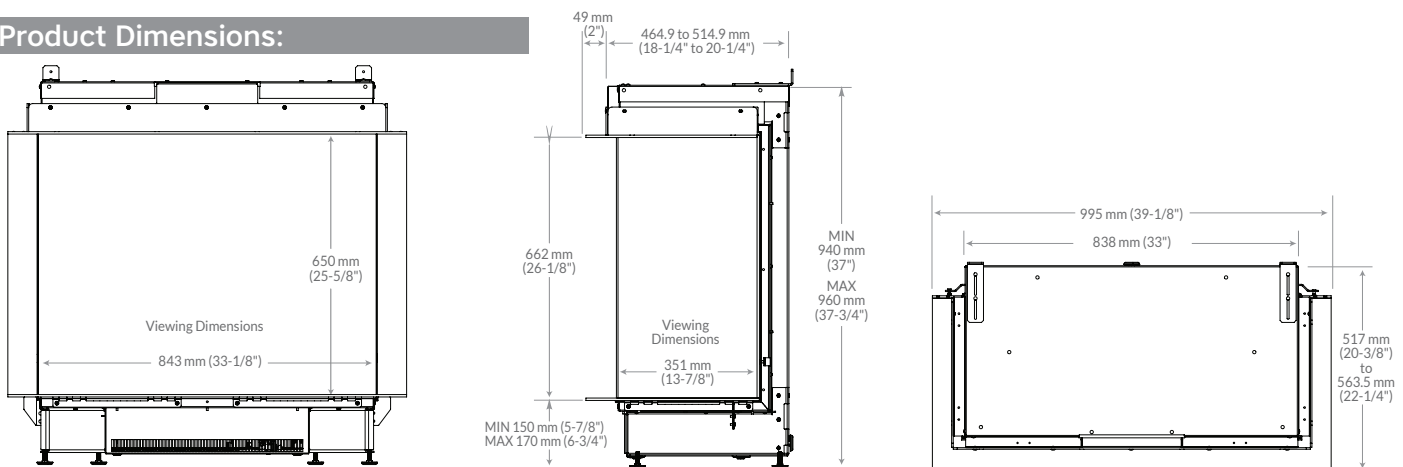
Remote Control
Uses Bluetooth wireless technology to control all fireplace features from the comfort of your chair.



Available in gas



Product Dimensions:



120 Volts | 270 Watts

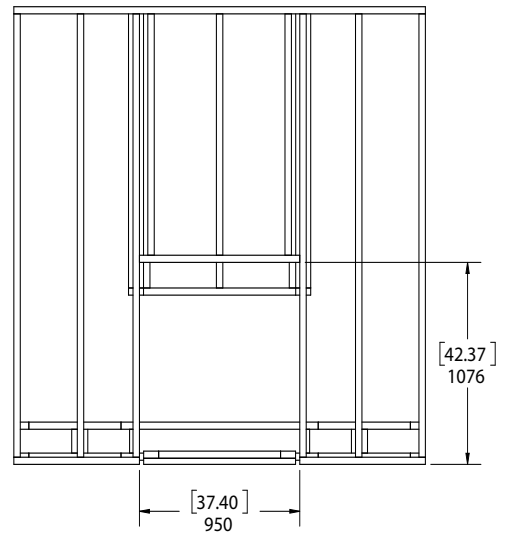
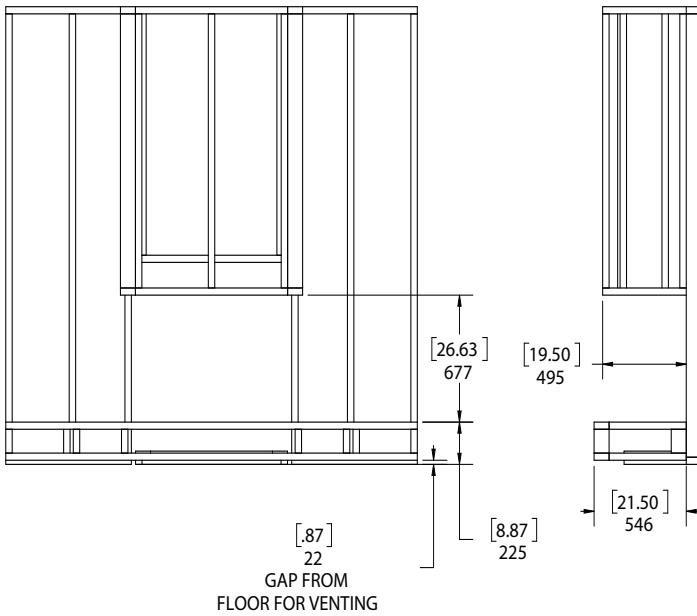
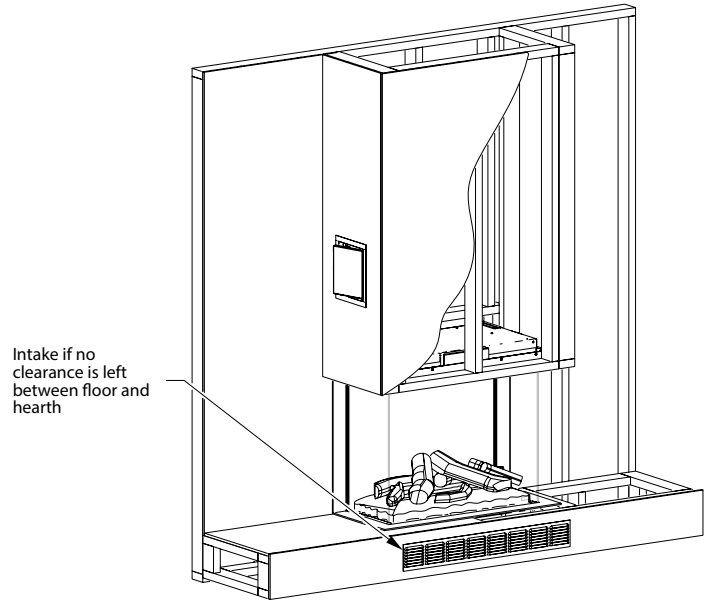
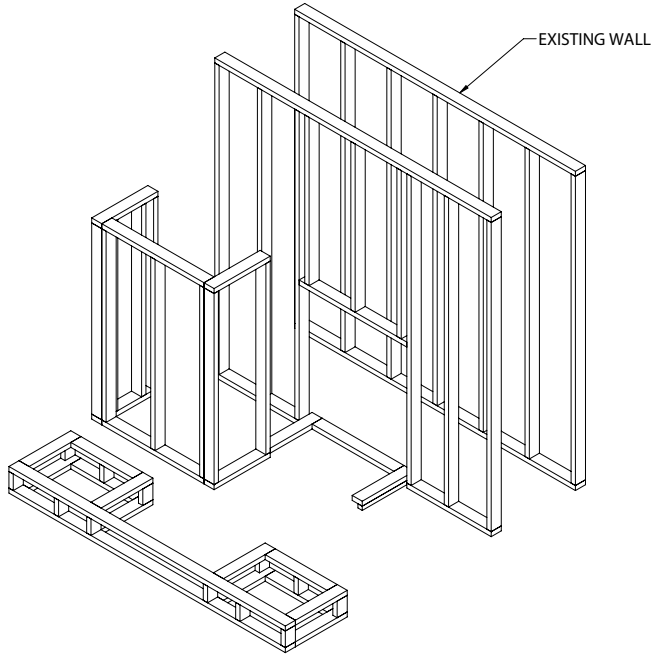
Model #	Description	UPC	Wty.	Water consumption	Power consumption	Inlet water pressure	Water connection	Carton Dimensions (WxHxD)		Cube		Lbs/Kg
								inches	cm	Ft ³	M ³	
FEF3226L3	Three-Sided Firebox	781052 132054	5 yr.	0.30 L/hr 0.08 gal/hr	0.27 kW/hr	7.5 - 115 psi	1/4"	51 x 26 x 49	129.5 x 66.0 x 124.5	37.6	1.06	297 / 136

Specifications, finishes and dimensions are subject to change. *Limited warranty.
©2019 Glen Dimplex Americas
SE-437-R02-070920



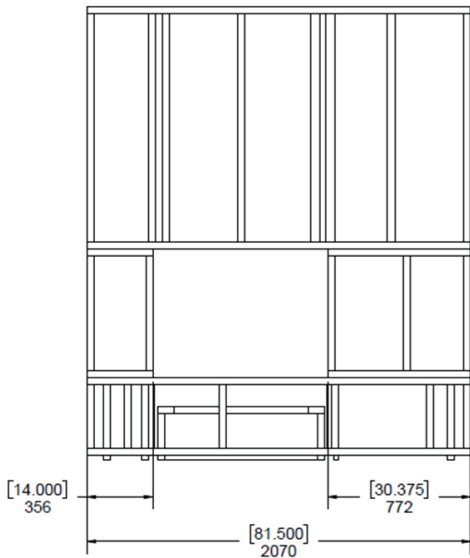
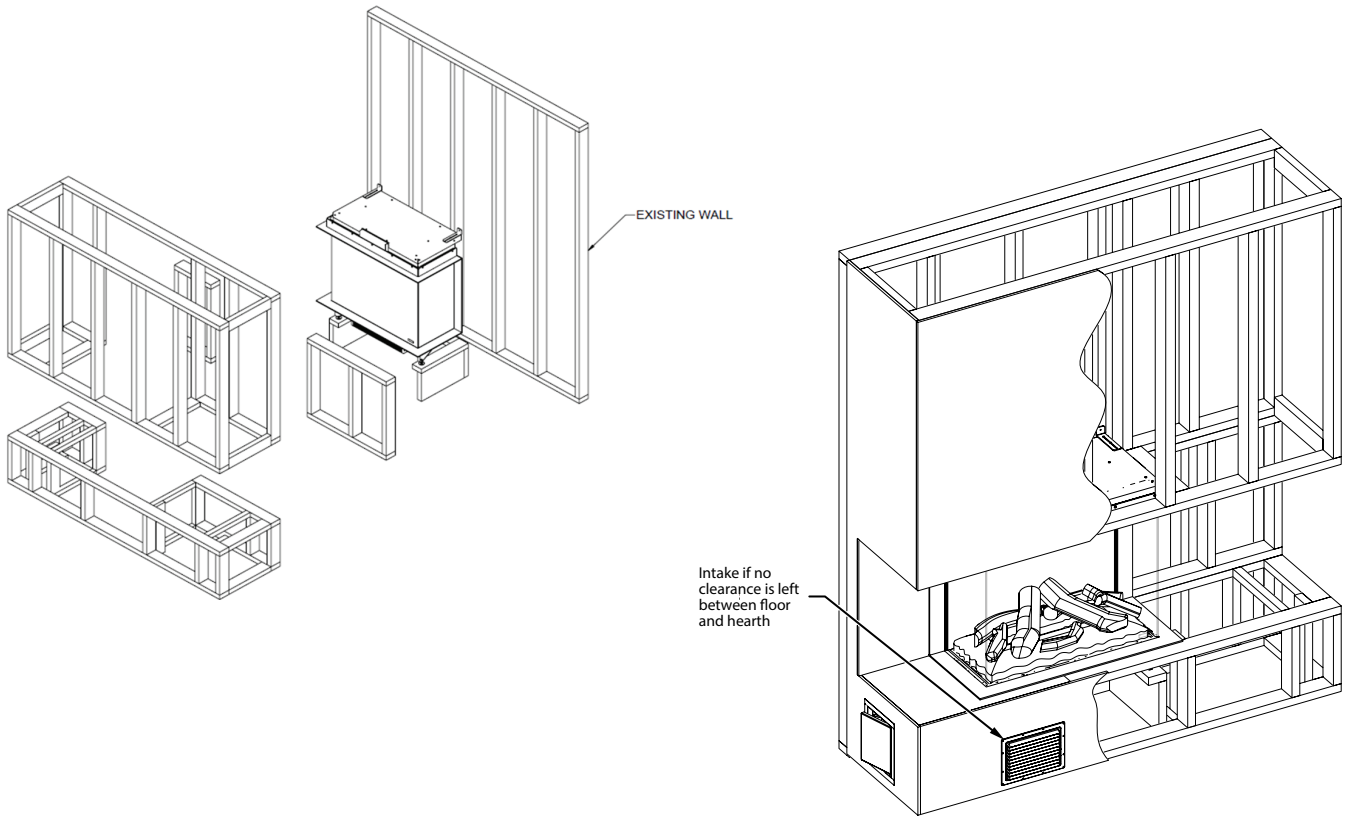
Installation

FEF3226L2/L3 – Framing Option 1

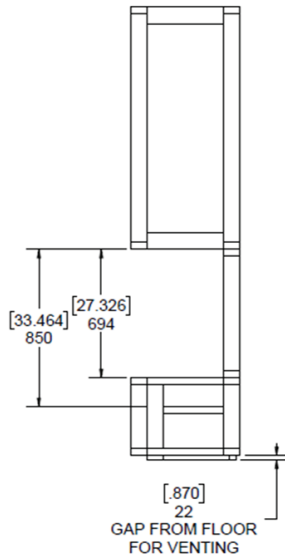


Installation

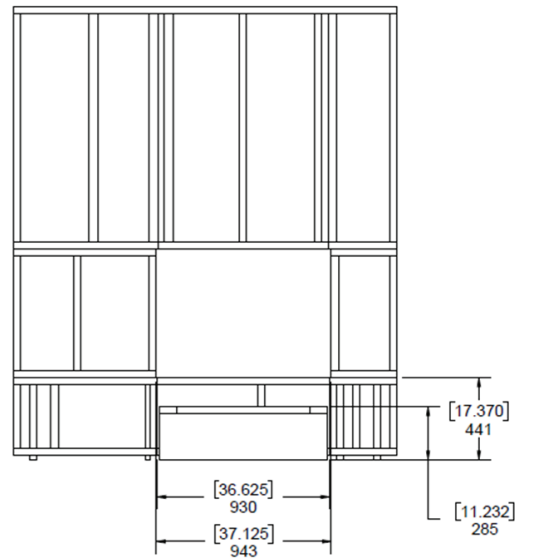
FEF3226L2/L3 – Framing Option 2



FRONT VIEW
BACK WALL NOT SHOWN



SIDE VIEW
BACK WALL NOT SHOWN



REAR VIEW
BACK WALL NOT SHOWN