



## Opti-myst® Linear

46" Linear Electric Fireplace

OLF46-AM

Introducing world-class flame  
in a modern linear style.



Experience a lifelike fire with the new Opti-myst® Linear. Patented vapor flame technology and advanced LED lighting work together to flawlessly imitate true flames and smoke. Opti-myst reinvents the future of fireplaces with its safe, sustainable, and state-of-the-art design.



## Opti-myst® Linear 46" Linear Electric Fireplace

### OLF46-AM



### NEW! Flame Connect app

Download the Flame Connect app on your mobile device and create an account. With the app you can add an extra level of personalization, such as saving customized mood settings.



Opti-myst Linear Firebox includes Acrylic Ice and Driftwood media

### Flame Themes



### Sight and Sound Remote

Control the flame intensity, color, heater, and sound at the touch of a button, or simply operate the fireplace using our convenient app on your smartphone.

## FEATURES

- Opti-myst® Flame Effect**  
Revolutionary ultrasonic technology produces the illusion of three-dimensional flame using vapor technology.
- ComfortSaver® Heating System**  
Safe concealed ceramic heat, plus 11% energy savings, warms up to 1,000 sq. ft. Can be used as a primary or secondary heating source depending on room requirements.
- Custom Color Creations**  
Choose between a traditional natural amber flame or go contemporary with a variety of brilliant color themes; cycle through a range of colors using the custom mode, freezing on the hue of your choice.
- Slim Design**  
A zero-clearance firebox with a slimmer 12" deep design.
- Crackling Sound Effects**  
Enjoy a complete sensory experience with the sound of natural wood fire.
- Fully-Sealed Glass**  
Front glass fully seals to protect and stabilize the flames.
- Built-in Timer**  
Set for 30 minutes to 8 hours.
- Smart Self-Diagnostics**  
Integrated self-diagnostics that simplify troubleshooting and improve service.
- Continuous Water Supply**  
Designed to connect to main water line providing continuous operation. Optional plumbing kit is available.
- Frame, Wire and Finish**  
Basic installation requires fewer tradespeople, no gas lines, venting, or chimney.

Voltage: 120 V (3-Wire) or 240 V (4-Wire)			
Model	120V	240V	No Heat
OLF46-AM	1220 W	1920 W	520 W

Model Number	Order Number	Description	Lbs/Kg (Packaged)	UPC	Wty.	Carton Dimensions (WxHxD)		Cube	
						inches	cm	Ft³	M³
OLF46-AM	X-136786	46" Linear Fireplace	127.8 / 58 (150.3 / 68.2)	781052136786	2 yr.	50-3/8 x 34-3/8 x 15-3/4	127.8 x 87.1 x 39.1	15.5	0.439
OLFPLUG	X-OLFPLUG	120 V Plug Kit	1.1 / .05	781052146396		11 x 4 x 3	28 x 10.2 x 7.6	0.08	0.002
CDFIPLUMB-KIT	X-206213	Plumb Kit	0.7 / .32	781052103221	1 yr.	15-1/2 x 3-1/2 x 6-1/2	39.4 x 8.9 x 16.5	0.20	0.006

Specifications, finishes and dimensions are subject to change. \*Limited warranty. ©2023 Glen Dimplex Americas.

SE-534-R00-030823



# Welcome to Flame Connect

Control your electric fireplaces, from the palm of your hand.



## Connect your electric fireplaces

Add as many fireplaces as you like to the Flame Connect App.



## Personalize your product

Change modes and settings on your fireplace to suit your mood.



## Secure your device

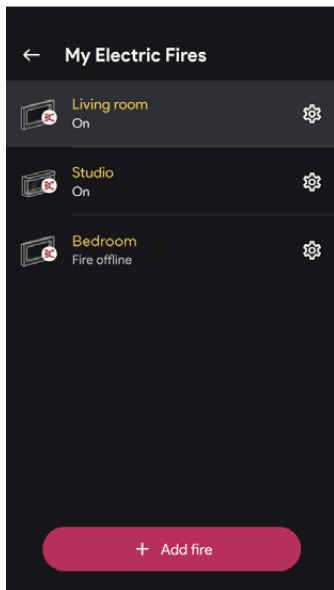
Take ownership of a product to prevent unauthorized access.



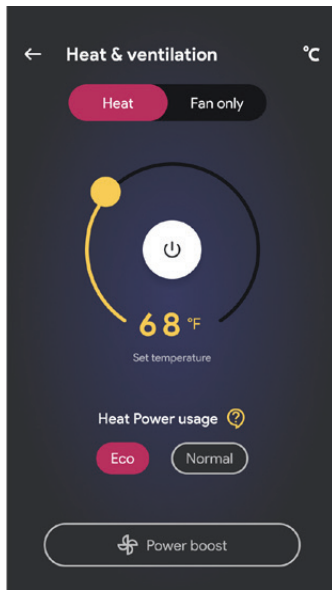
## NEW! Flame Connect app

Download the Flame Connect app on your mobile device and create an account. With the app you can add an extra level of personalization, such as saving customized mood settings.

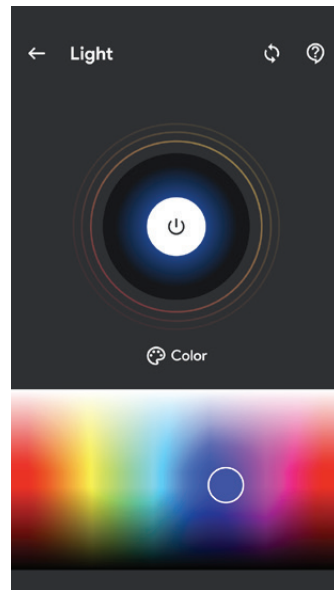
- Sleep timer automatically shuts the fireplace off after a set amount of time
- User manual with help and FAQ feature
- Updates, alerts, and user notifications



- Control your fireplaces from one convenient spot



- Temperature can be adjusted to show values in °F and °C



- Use the color picker to personalize with unlimited custom colors

- With the app you can adjust the flame brightness and speed beyond the remote technology
- Create and save favorite customized moods
- Guest mode

Note: App features may vary depending on product.

For additional information, visit [dimplex.com/fcapp](http://dimplex.com/fcapp)

Available in the App Store and Google Play

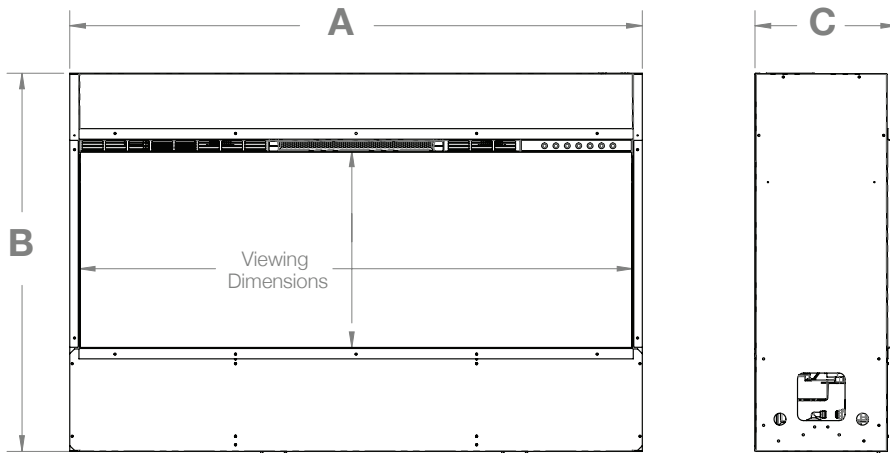


# Opti-myst® Linear

## 46" Linear Electric Fireplace

OLF46-AM

### Product Dimensions:



Other Sizes Available:



OLF66-AM



OLF86-AM

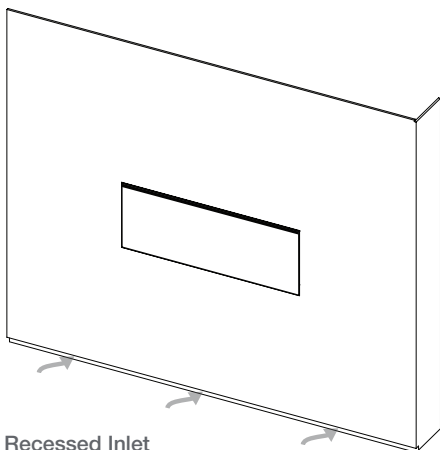
Product	A WIDTH (in/cm)	B HEIGHT (in/cm)	C DEPTH (in/cm)	VIEWING DIMENSION - WxH (in/cm)
OLF46-AM - 46" Linear	47-1/2 (120.6)	31-1/2 (80.0)	11-7/8 (30.0)	45-7/8 x 14-3/8 (116.6 x 41.2)

### Fresh Air Inlets

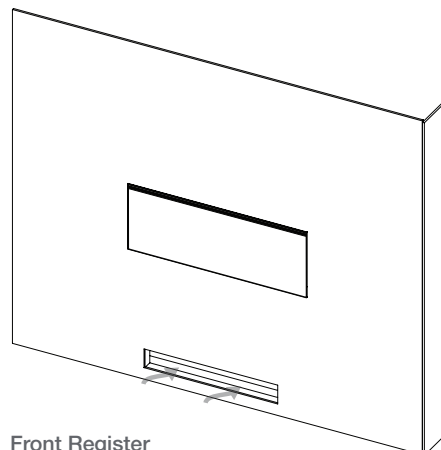
**CAUTION:** Failure to include a fresh air inlet will result in poor flame performance and damage to the fireplace. A fresh air inlet is required. The air inlet must allow for the air path to reach the underside of the unit. This will have to be accounted for in the framing and drywall installation. See the table below for air inlet requirements for each model.

If the air inlet is concealed using a grille, the covered area must be compensated for by having a larger opening.

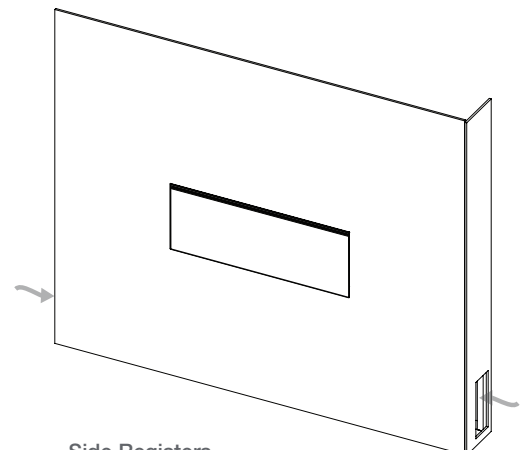
Model	Air inlet area required	
OLF46-AM	80 in <sup>2</sup>	516 cm <sup>2</sup>



Recessed Inlet



Front Register



Side Registers

\*For best results in this configuration include an opening on each side of the fireplace

# Opti-myst® Linear

## 46" Linear Electric Fireplace

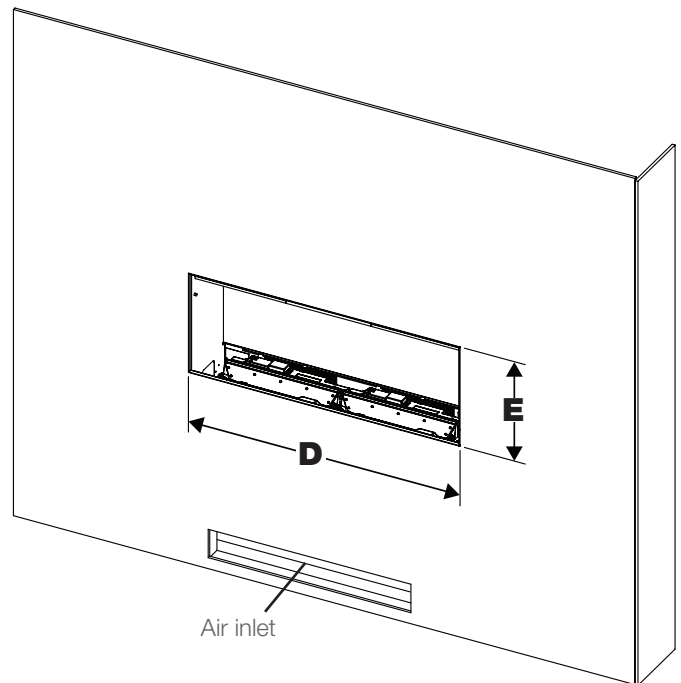
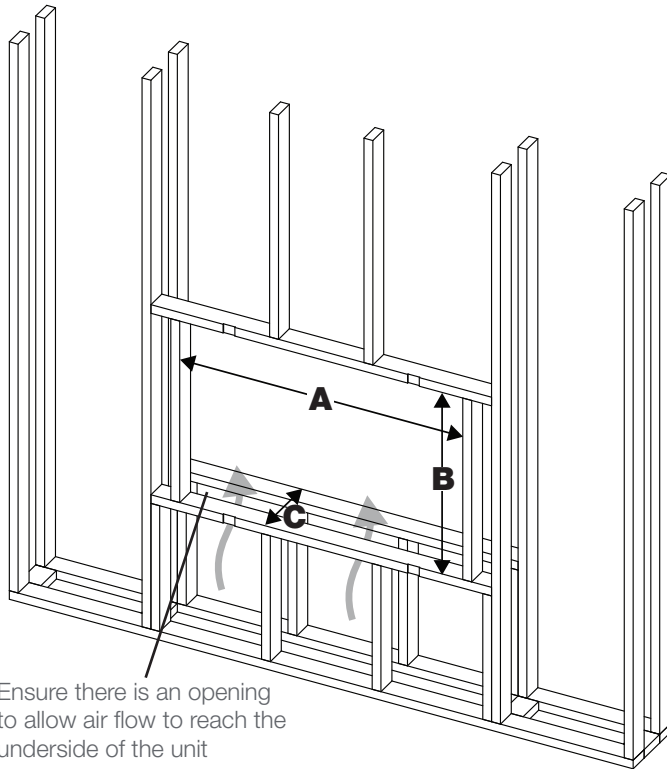
OLF46-AM

### Framing

Prepare a wall with a framed opening, following the dimensions in the table below. Openings beneath the unit are required in order to allow for airflow to reach the underside of the unit.

Model	Framing Dimensions			Drywall Opening	
	Width (minimum) A	Height B	Depth (minimum) C	Width D*	Height E*
OLF46-AM	48" (121.9 cm)	31-3/4" (80.6 cm)	12" (30.5 cm)	46-3/16" (117.4 cm)	17-1/2" (44.5 cm)

\* Allows for a 2 mm clearance all around



### Placement

**! NOTE:** For optimized viewing angle of the flame, it is recommended that the bottom of the unit be mounted between 5" (13 cm) and 50" (127 cm) from the ground.

#### Installation in a Bathroom

If this unit is installed in a bathroom, it must be protected by a GFCI receptacle or circuit. If a receptacle is used, it must be readily accessible.

This electrical appliance is NOT watertight. To prevent electric shock, it must be installed as to prevent water from entering unit, or installed away from showers, tubs, etc. Never locate fireplace where it may fall into a bathtub or other water container.

#### Installation Recommendations for Overhanging Objects

For overhanging temperature-sensitive objects, such as a television, a mantel, or artwork, always follow the recommendations provided by its manufacturer for installation over a heater.