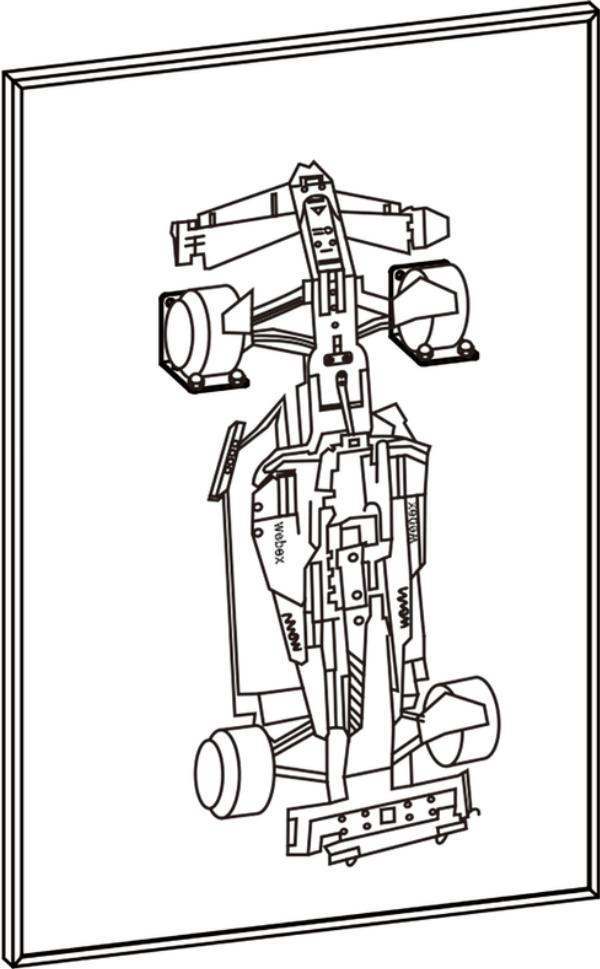


FANTAS



LEGO® Car
Wall Mount Display
Assembly Instruction





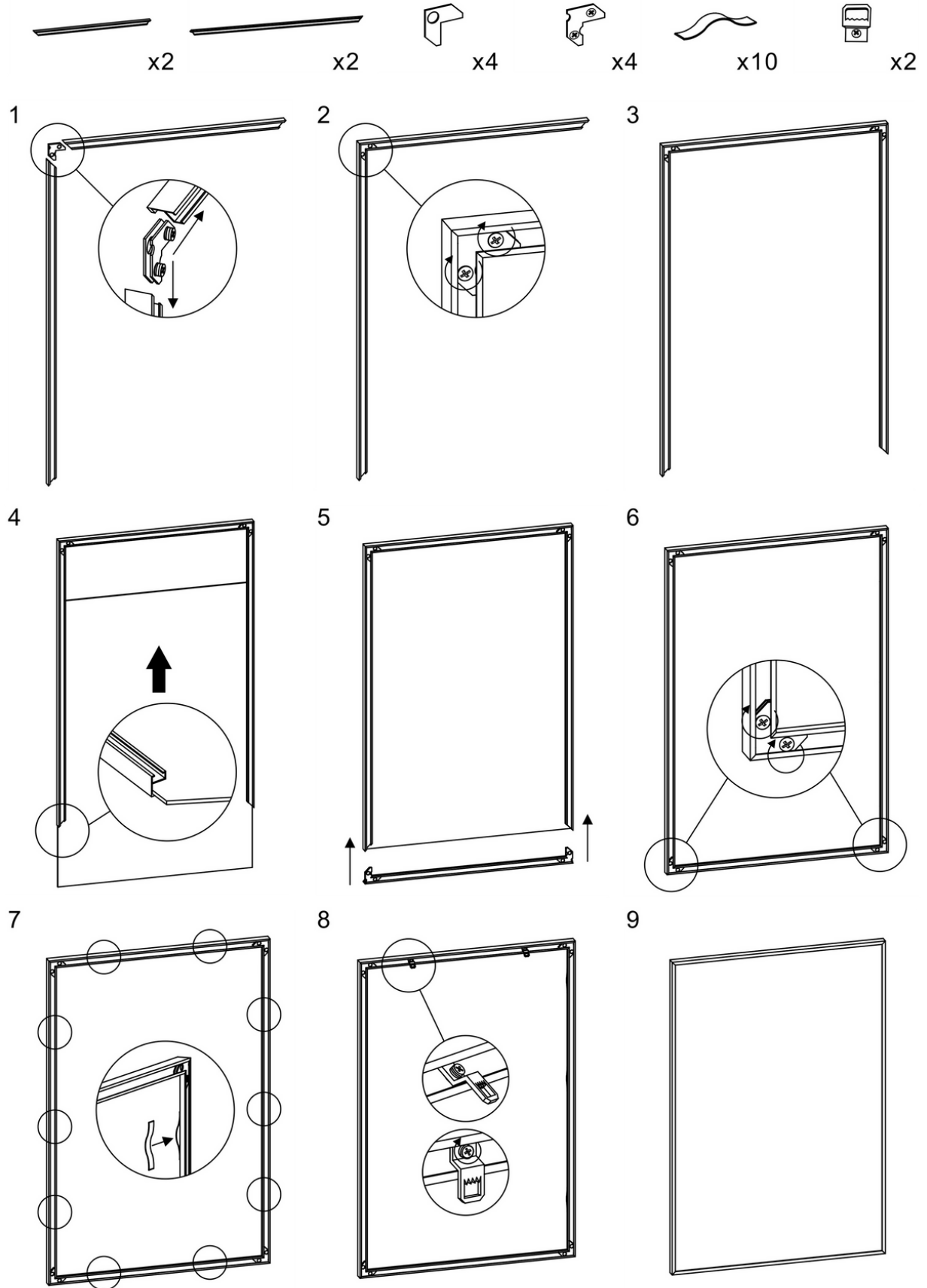
WARNING

Serious or fatal injuries can occur from frames fall down.

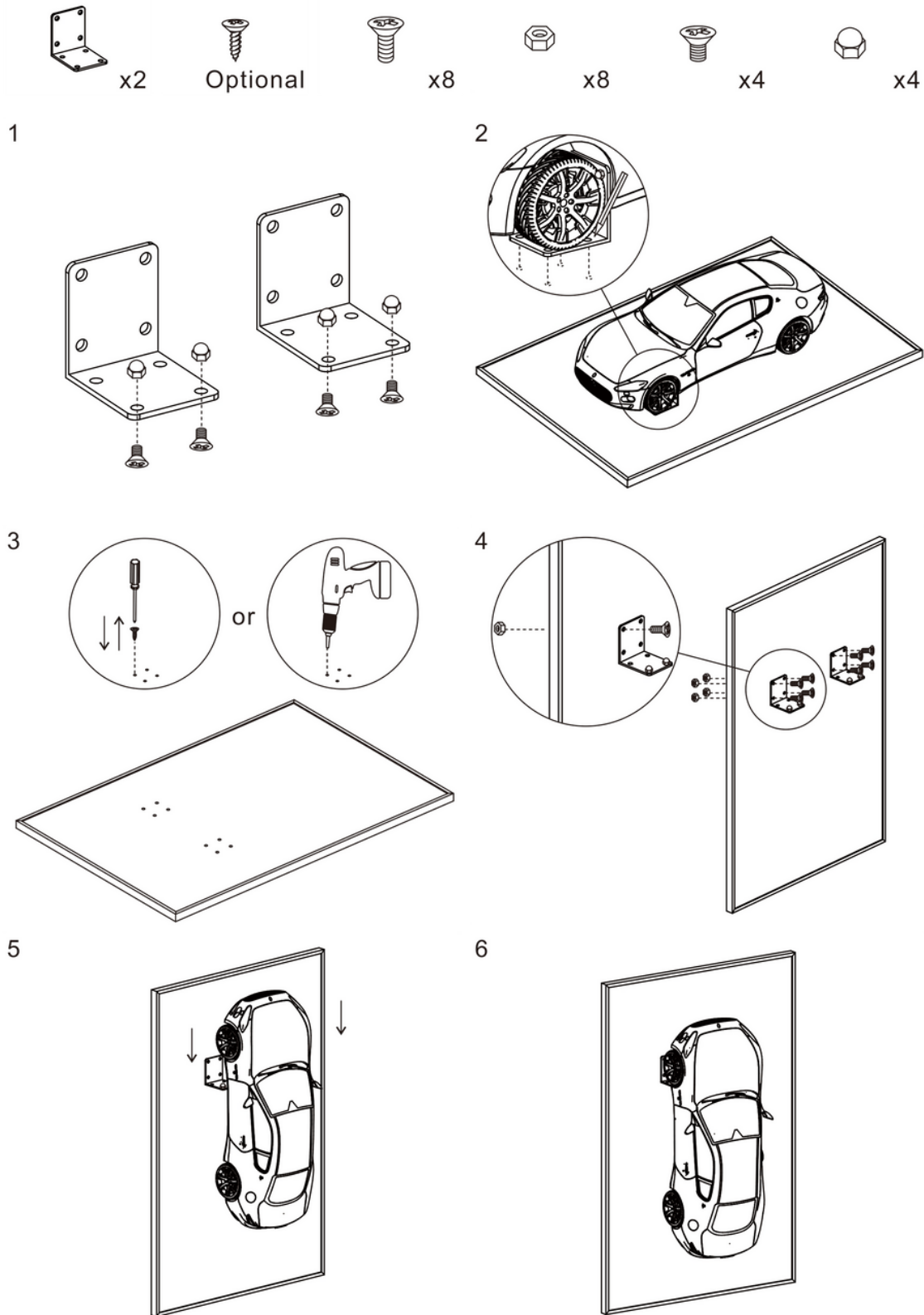
- Do not let children use or play with the parts.
- To prevent this frame from falling down or tipping over, you must assess the wall to ensure that it will withstand the weight.
- As wall materials vary, screws for fixing the wall are not included.
- Dry-Wall anchors and screws with a minimum load capacity of 35lbs are suggested to be used.
- For advice on suitable screw systems, contact your local specialized dealer.
- Wall fixing/hanging must be carried out by a qualified person since the wrong fixation may cause injury or damage.
- Regularly check if all screw connections are tight and if the connectors are attached stably.
- Young children may be injured by tipping furniture if not secured.
- Handle with care.
- To avoid scratching the floor and the frame, please assemble the display mount on a soft surface such as a carpet.

**All product and company names are trademarks™ or registered® trademarks of their respective holders. Use of them does not imply any affiliation with or endorsement by them.

Car Frames Assembly



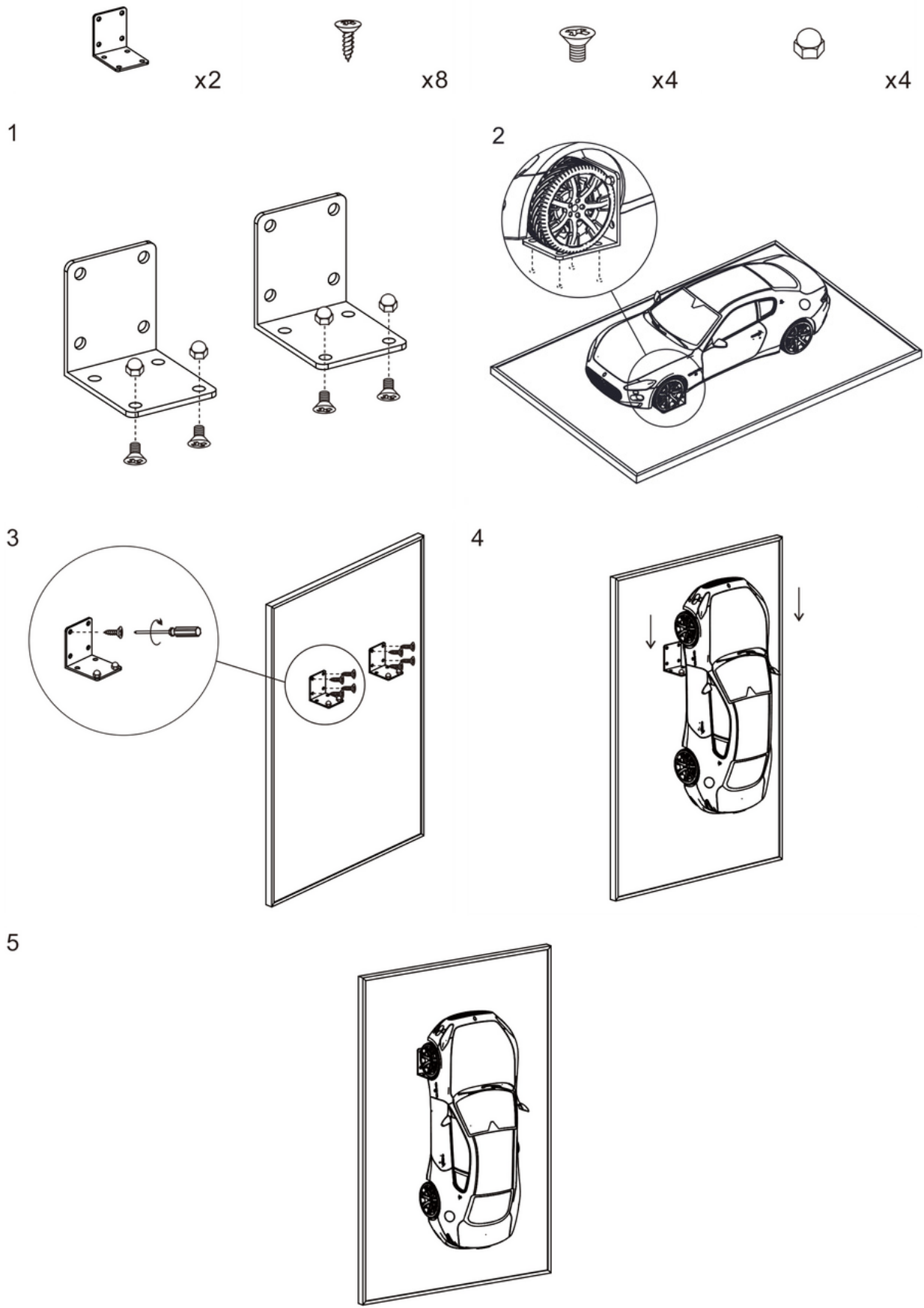
FantasMall Classic Leather Version



Scan for Step-by-Step
Detailed Instruction Video



FantasMall Acrylic Top-Speed Pre-Drilled Version



- Wipe clean with a damp cloth
- Wipe dry with a clean cloth.
- Check regularly that all assembly fastenings are properly tightened and retighten when necessary

www.FantasMall.com

Fantastic LEGO Hanging & Display Solution

Contact:

support@fantasmall.com

FANTAS