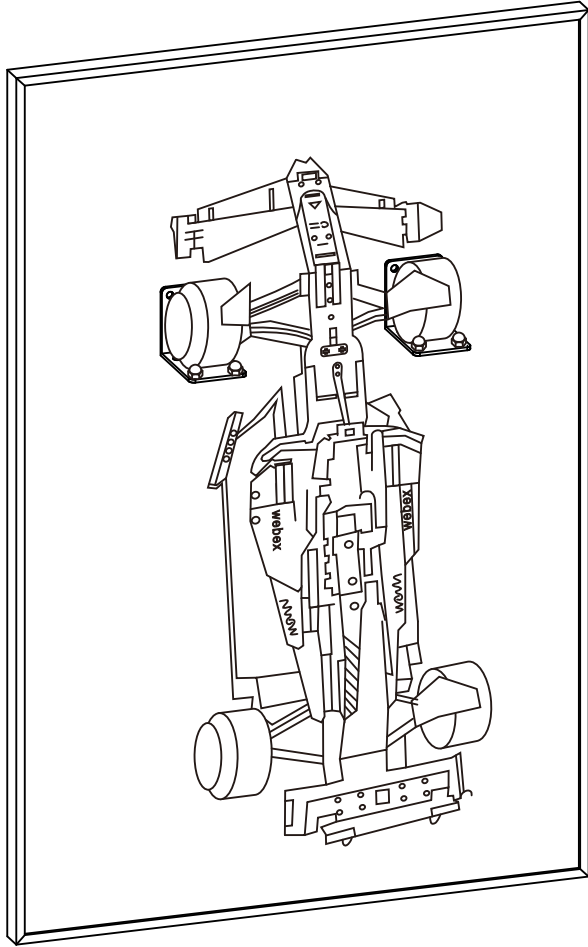


# FANTAS



## Technic Car Wall Mount Display Assembly Instruction







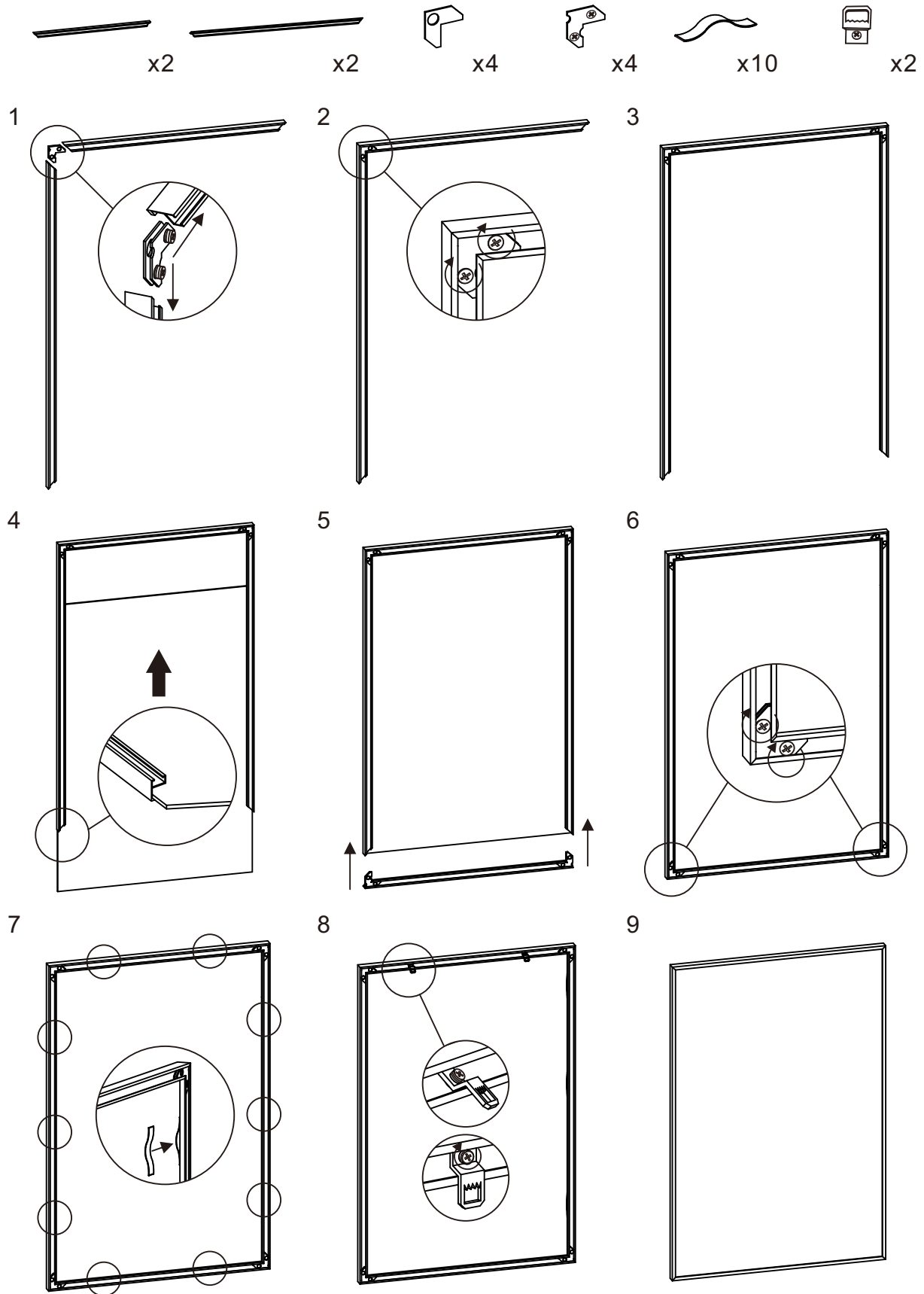
## WARNING

Serious or fatal injuries can occur from frames fall down.

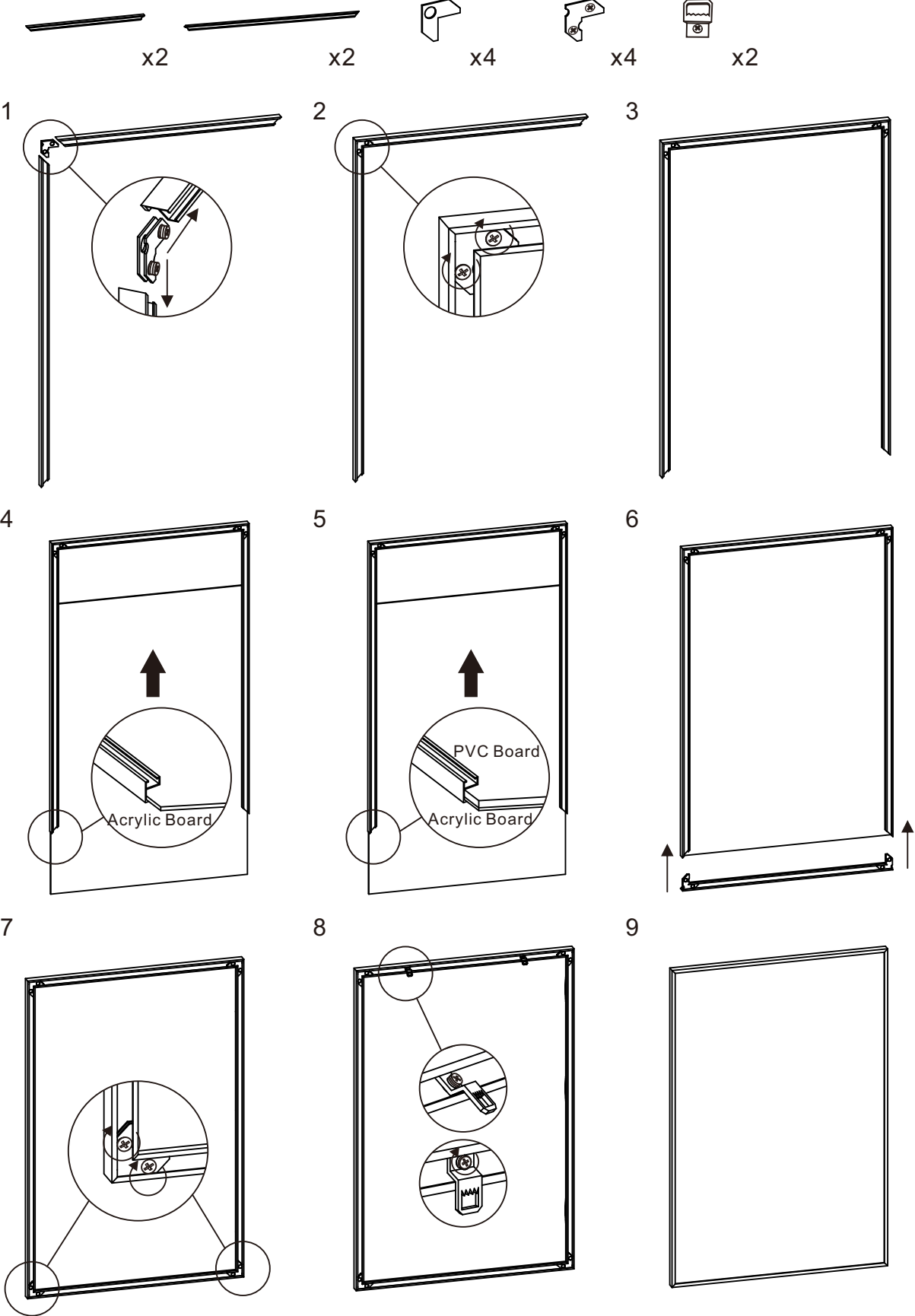
- Do not let children use or play with the parts.
- To prevent this frame from falling down or tipping over, you must assess the wall to ensure that it will withstand the weight.
- As wall materials vary, screws for fixing the wall are not included.
- Dry-Wall anchors and screws with a minimum load capacity of 35lbs are suggested to be used.
- For advice on suitable screw systems, contact your local specialized dealer.
- Wall fixing/hanging must be carried out by a qualified person since the wrong fixation may cause injury or damage.
- Regularly check if all screw connections are tight and if the connectors are attached stably.
- Young children may be injured by tipping furniture if not secured.
- Handle with care.
- To avoid scratching the floor and the frame, please assemble the display mount on a soft surface such as a carpet.

\*\*All product and company names are trademarks™ or registered® trademarks of their respective holders. Use of them does not imply any affiliation with or endorsement by them.

# Frames Assembly of Classic Leather Version



# Frames Assembly of Acrylic Version



# FantasMall Classic Leather Version



x2



Optional



x8



x8

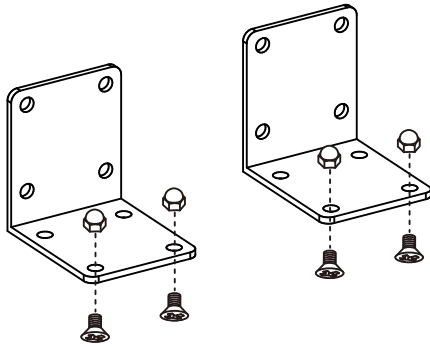


x4

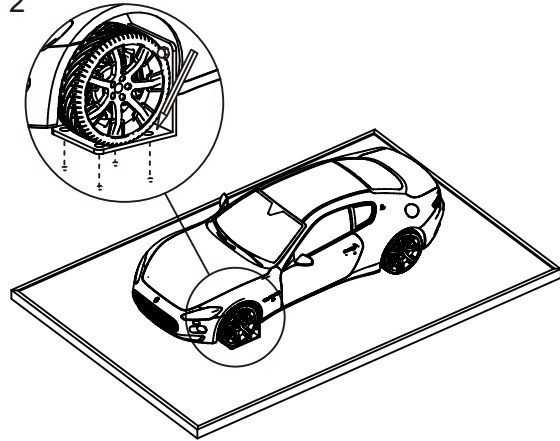


x4

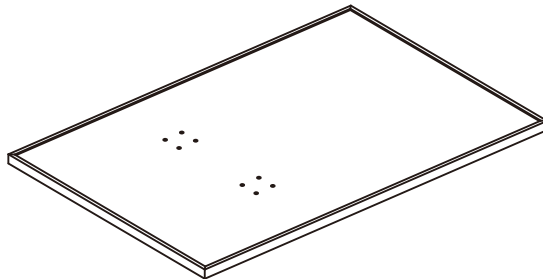
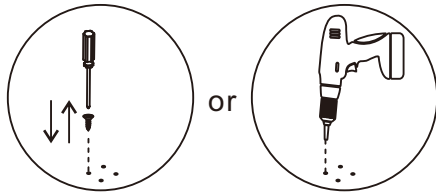
1



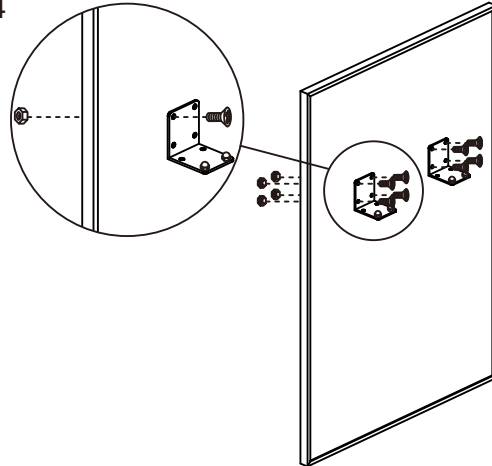
2



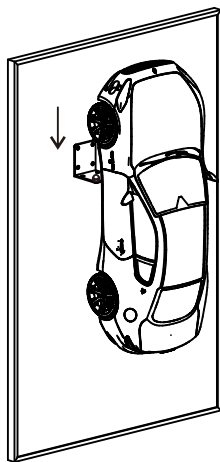
3



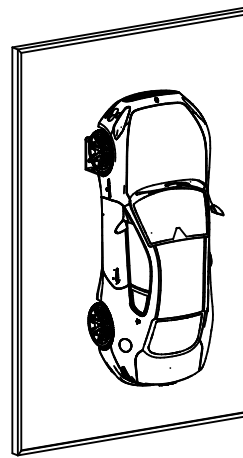
4



5



6



Scan for Step-by-Step  
Detailed Instruction Video



# FantasMall Acrylic Top-Speed Pre-Drilled Version



x2



x8

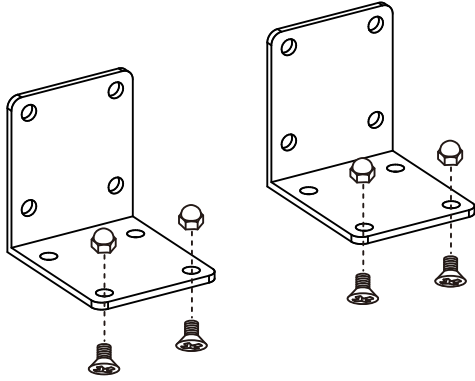


x4

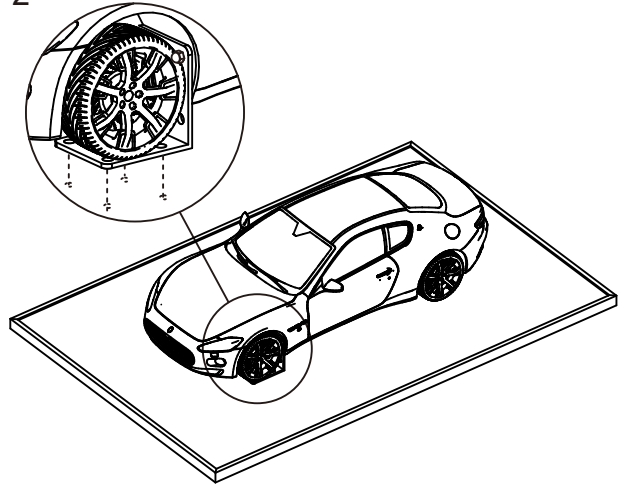


x4

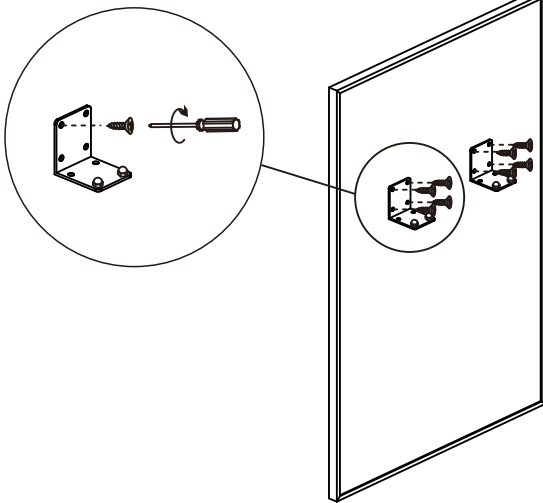
1



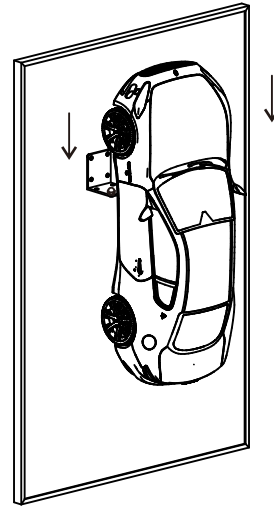
2



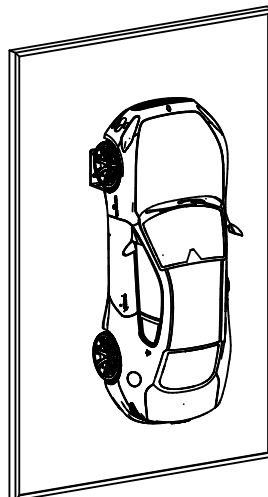
3



4



5



- Wipe clean with a damp cloth.
- Wipe dry with a clean cloth.
- Check regularly that all assembly fastenings are properly tightened and retighten when necessary.

[www.FantasMall.com](http://www.FantasMall.com)

Contact:  
[support@fantasmall.com](mailto:support@fantasmall.com)

**FANTAS**