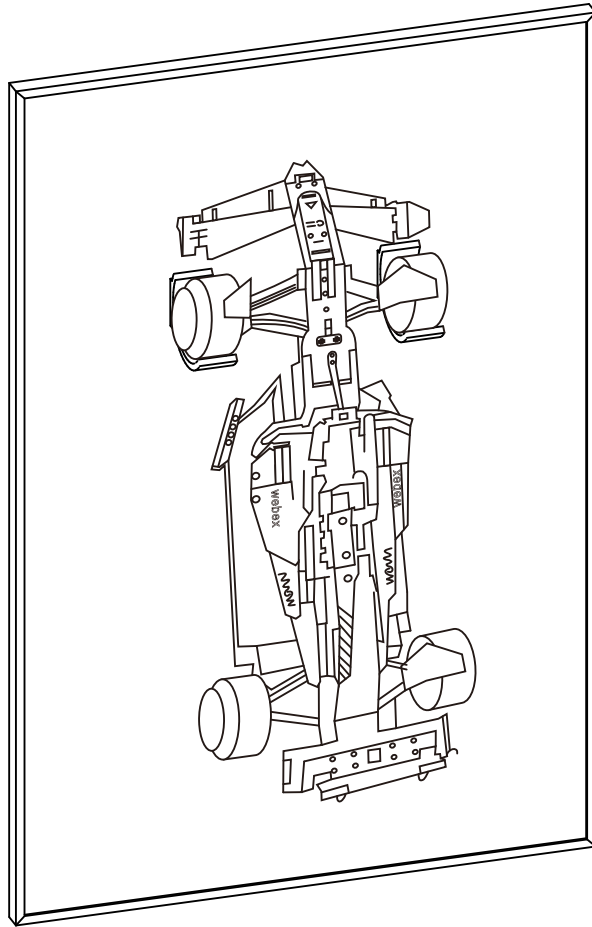


FANTAS



Technic Car Wall Mount Display Assembly Instruction





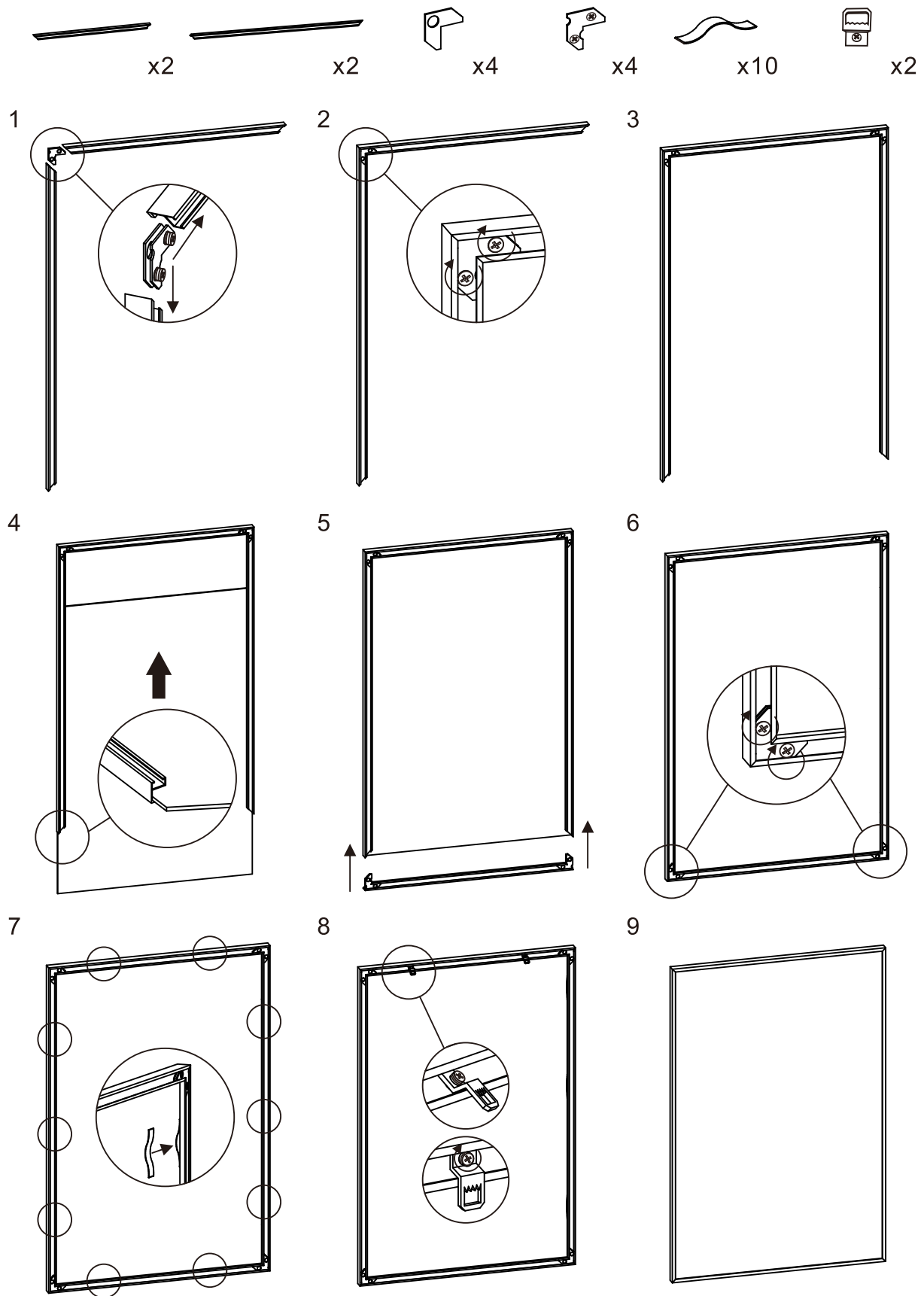
WARNING

Serious or fatal injuries can occur from frames fall down.

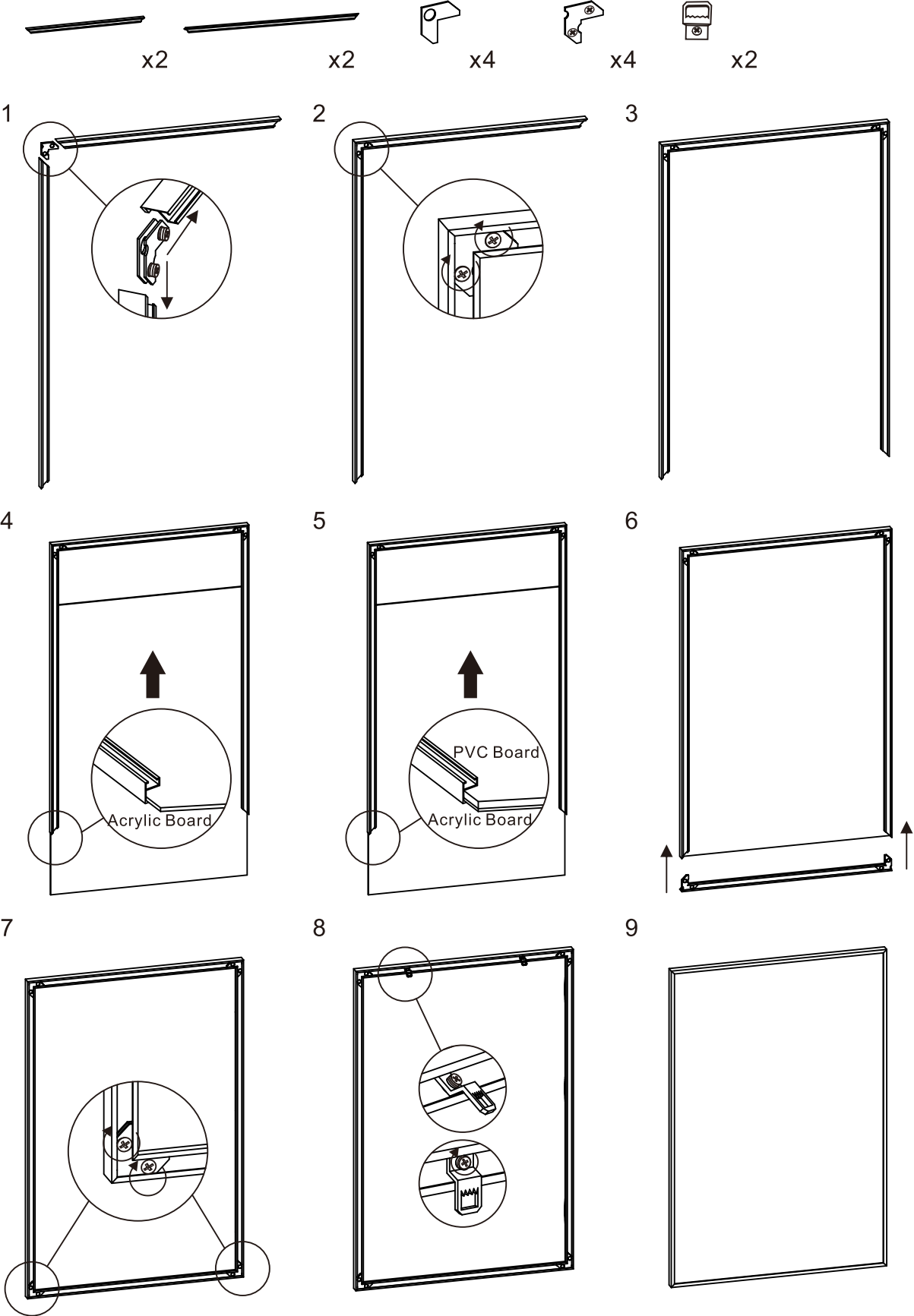
- Do not let children use or play with the parts.
- To prevent this frame from falling down or tipping over, you must assess the wall to ensure that it will withstand the weight.
- As wall materials vary, screws for fixing the wall are not included.
- Dry-Wall anchors and screws with a minimum load capacity of 35lbs are suggested to be used.
- For advice on suitable screw systems, contact your local specialized dealer.
- Wall fixing/hanging must be carried out by a qualified person since the wrong fixation may cause injury or damage.
- Regularly check if all screw connections are tight and if the connectors are attached stably.
- Young children may be injured by tipping furniture if not secured.
- Handle with care.
- To avoid scratching the floor and the frame, please assemble the display mount on a soft surface such as a carpet.

**All product and company names are trademarks™ or registered® trademarks of their respective holders. Use of them does not imply any affiliation with or endorsement by them.

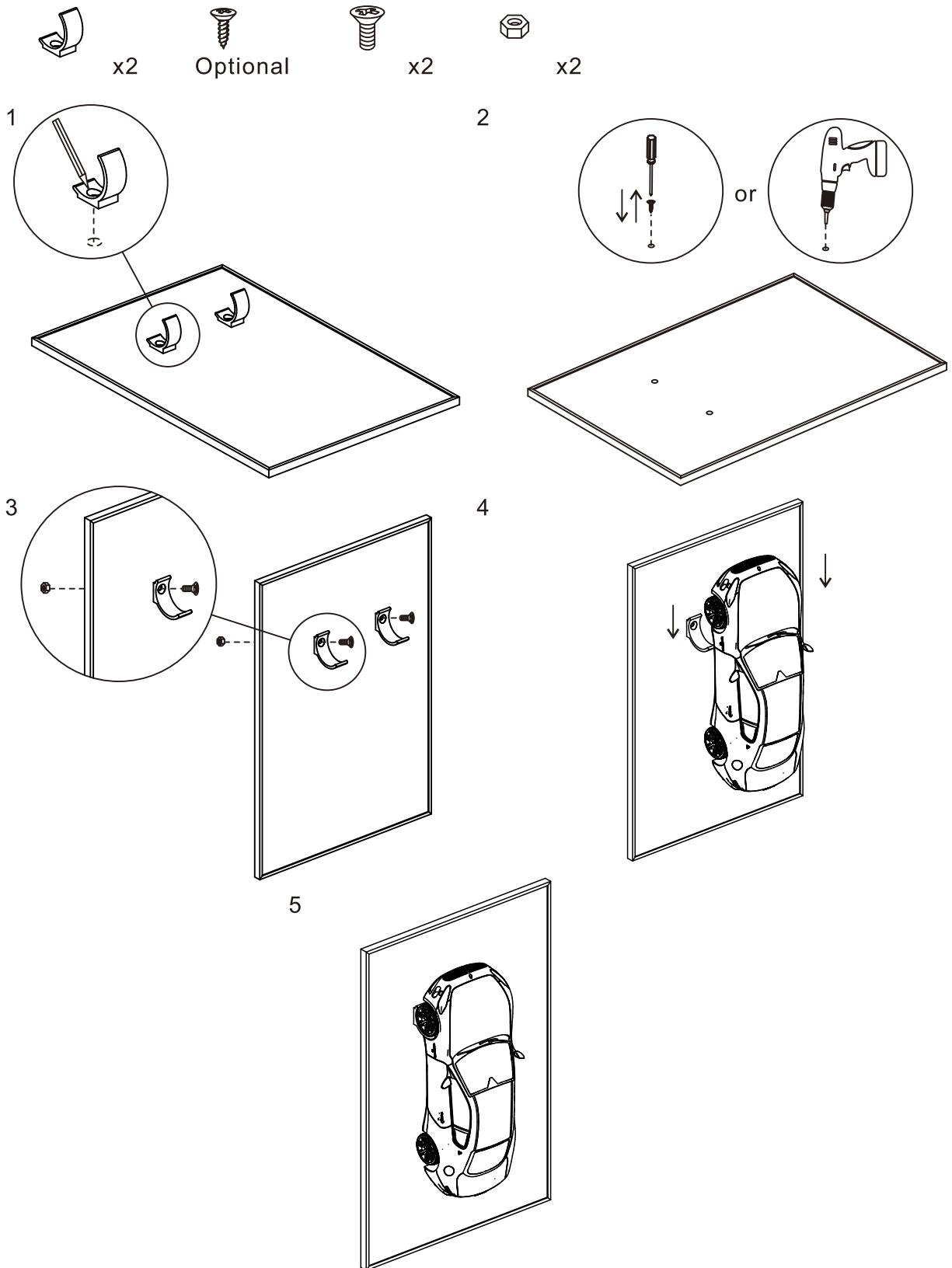
Frames Assembly of Classic Leather Version



Frames Assembly of Acrylic Version



Wall Mount Instruction



Scan for Step-by-Step
Detailed Instruction Video



- Wipe clean with a damp cloth.
- Wipe dry with a clean cloth.
- Check regularly that all assembly fastenings are properly tightened and retighten when necessary.

www.FantasMall.com

Contact:
support@fantasmall.com

FANTAS