



GRAND

WIRELESS MACHINE PEN

USER MANUAL

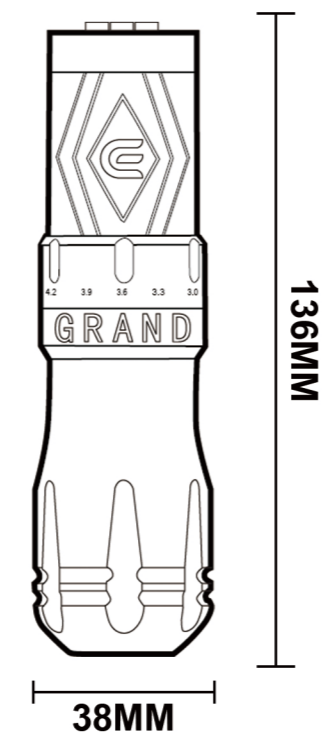
OVERVIEW



- ① : CONTROL BUTTONS
- ② : DISPLAY SCREEN
- ③ : USB-C LI-ION BATTERY HOUSING
- ④ : STROKE ADJUSTABLE RING
- ⑤ : SEVEN STROKES
- ⑥ : CORELESS DC MOTOR
- ⑦ : 38mm ERGONOMIC COMFORTBLE GRIP

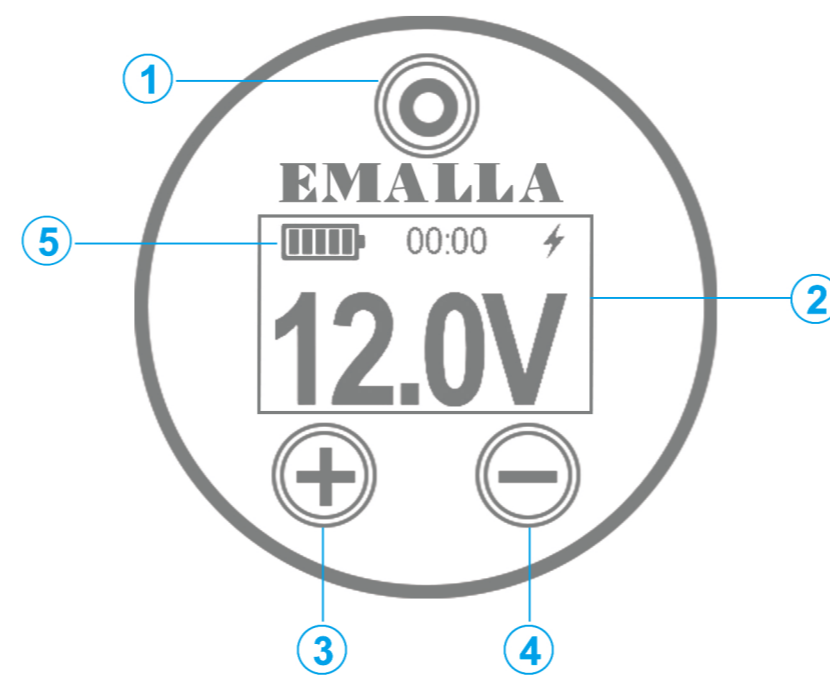
SPECIFICATIONS

- OUTPUT VOLTAGE: 4-12V
- INCREMENT/DECREMENT VOLTAGE INTERVAL: 0.1V*
- CHARGER INPUT: USB-C
- SIZE: H 136MM X W 38MM
- WEIGHT: 237G (8.36OZ) | 211G(7.44OZ) WITHOUT BATTERY
- BATTERY LIFE: 8-10 HOURS
- GRIP SIZE: 38MM
- STROKE: 2.4MM|2.7MM|3.0MM|3.3MM|3.6MM|3.9MM|4.2MM (ADJUSTABLE)



DISPLAY FUNCTION

- : Battery power
- : Charging
- : Start / pause
- : Jump start on / off
- : Power on / off
- : Voltage up
- : Voltage down



- 00:00 : Working time
- ① : Function one, Pressing 3 seconds to Power on / off. Function two, Pressing again to working start / pause. Function three, Fast double-click the botton 2 times to turn on jump start function.
- ② : Display function, show battery capacity / voltage, working time.
- ③ : Click the button to increas voltage by 0.1v, long press to increas voltage quickly.
- ④ : Click the button to decreas voltage by 0.1v, long press to decreas voltage quickly.
- ⑤ : 5 bars = 100%, 4 bars = 80%, 3 bars = 60%, 2 bars = 40% and 1 bar = 20%.Single bar will blink to remind you to charge.

SPECIFICATION:

Material: Aluminum
 Battery Type: Lithium battery
 Battery Capacity : 1800mAh
 Battery Charger : DC5V/2A (standard USB Adapter)
 Battery Charging cable: Standard USB C Type cable
 Battery Safety: Microchip Battery controller which prevents short circuit, over charge or battery drain.
 Charging time: 1.5 hours (100%, 2Amp 5Volt Adaptor)
 Running time: Up to 10 hours (full Charge)
 Jump Start Volt: 9V 0.2 Seconds
 (Power off after 5mins not working)



ADJUSTING STROKES

HOW TO ADJUST STROKES

EMALLA GRAND wireless machine pen in order to meet the needs of different tattoo styles, we have a total of 7 strokes. They are: 2.4mm | 2.7mm | 3.0mm | 3.3mm | 3.6mm | 3.9mm | 4.2mm . And in order to adjust the stroke, we divided the central ring district into two parts: the upper ring and the lower ring. When we increase the stroke, the upper ring twists to the right and the lower ring twists to the left. On the contrary, when our journey decreases, the upper ring twists to the left and the lower ring twists to the right. It is so easy to find your favorite stroke.



INCREASES STROKE
2.4mm
↓
4.2mm

DECREASESN STROKE
4.2mm
↓
2.4mm

Which stroke suit you better?

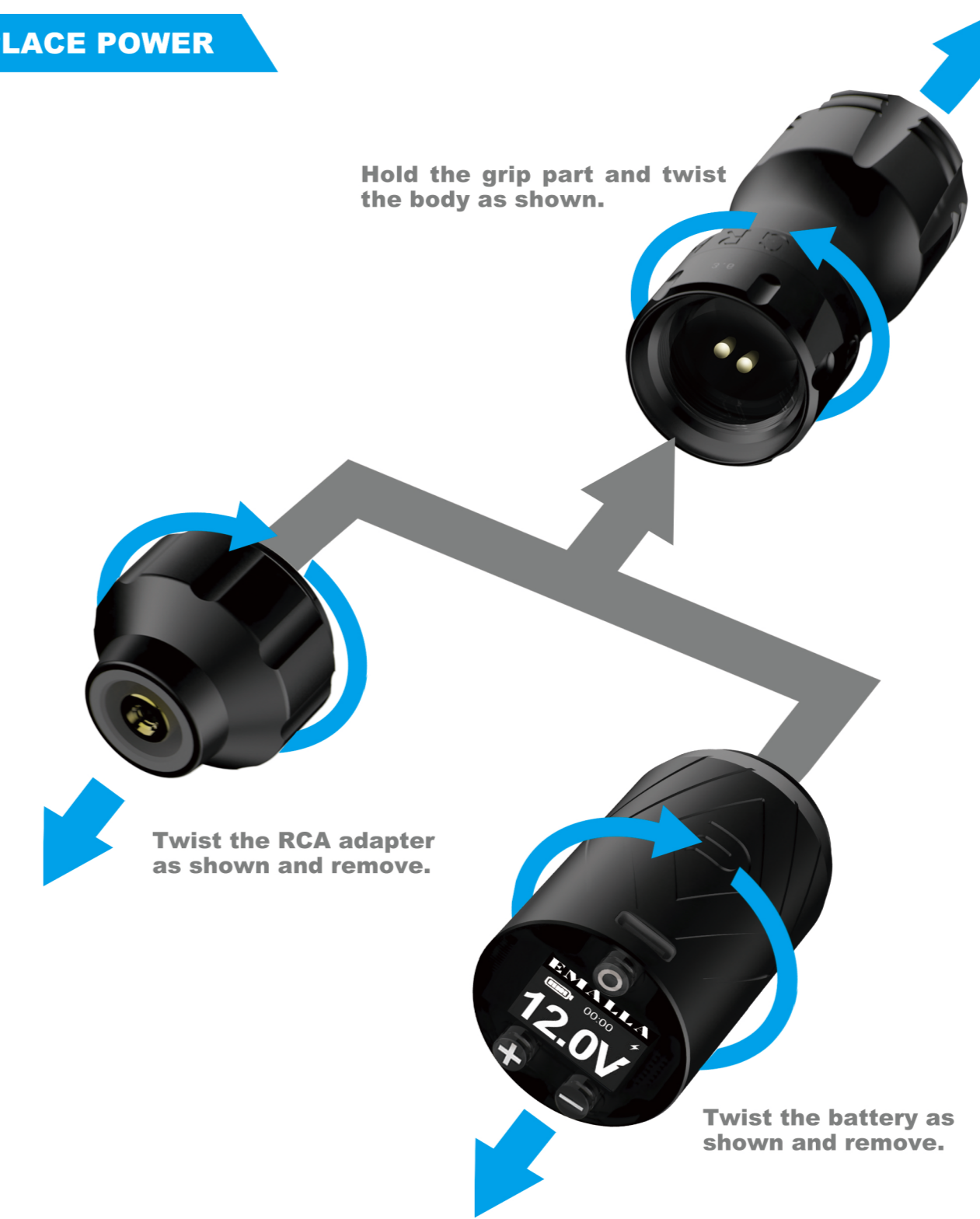
Depending on your needs and the desired power, we have 7 strokes can provide in **EMALLA GRAND**.

2.4mm|2.7mm|3.0mm - Especially suitable for gentle shading, careful tattoo working on sensitive body parts.

3.3mm|3.6mm - Provide the perfect balance between lining and shading and is the all-rounder.

3.9mm|4.2mm - Great balance between lining and color packing.

REPLACE POWER



RCA ADAPTER

In order to ensure the sustainability of tattoos, we provide RCA adapters. When the battery power is used up, we can change the RCA adapter to connect the RCA cable

THE POWER BATTERY

The battery part is 1800 mAh and can be used for 8-10 working hours. When the battery is used up, you can replace another new spare battery and continue to complete your tattoo work, it is simple and convenient

ADDITIONAL INFORMATION

VOLTAGE PARAMETERS

While voltage is a parameter that will vary from artist to artist,the battery has been tasted to operate at a minimum voltage of 4 Volts to a maximum voltage of 12 Volts. Depending on the type of needle confuguration,or brand you use, feel free to adjust the voltage to obtain the desired performance.

WARRANTY

EMALLA GRAND wireless machine warranty repair for aperiod of 1 year from the original date of purchase. If you discover a defectina product covered by this warranty , we will repair the item . Proof of purchase in the form of a sales receipt must be provided for warranty rapair . This warranty will be void if the device shows signs of having been tampered, disassembled, handled roughly, dropped, overexposed to moisture or damage resulting in compromised functionality .

REPAIR PROCESS

- Step 1
Please contact us by email before shipment, and fill out the warranty card which you got after you bought
- Step 2
After we confirmed with you by email, you can ship the machine to us. Please make sure to securely package your machine. We are not responsible for lost or damaged machines during transit.
- Step 3
Please don't forget send the tracking number to us after Shipping package.

More information, please contact info@emalltattoo.com. We will reply and solve your question soon.

