

METROBOARD

PATHFINDER
12S4P/12S6P/12S8P
HP1 and HR1 Controller

OWNER'S MANUAL



WARNING!



RISK OF DEATH OR SERIOUS INJURY. Skateboarding, electric or otherwise, is a dangerous activity. You put yourself at risk of death or serious injury every time you ride a skateboard. Appropriate precautions naturally mitigate these risks.



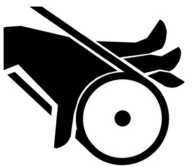
NEVER CHARGE your board **UNATTENDED!**



AVOID WATER! Your Metroboard is water resistant, not waterproof. The electronics and other components are susceptible to water damage.



ELECTRIC SHOCK RISK! Open the deck at your own risk. We have strived to make the electronics as safe as possible but with great power comes great responsibility. Best to stay away from the electronics to avoid a short or electric shock.



PINCH POINTS at the motor end of your board can grab fingers, hair and loose clothing. Keep clear of the motors, belts, pulleys and other moving parts.



MAINTENANCE is important to keep your board in safe and optimal condition. Familiarize yourself with the maintenance section of this manual and establish a regular schedule of care.

If your board is behaving irregularly, please contact info@metro-board.com so we can troubleshoot the problem together.



READ BEFORE YOU RIDE!



ALWAYS WEAR A HELMET when riding the board. Other protective gear like wrist guards, gloves, elbow and knee pads are also strongly recommended.



THE BOARD MAY LOSE POWER OR BRAKES due to low batteries or regenerative braking overcharge. Ride at speeds manageable without power or brakes.

DO NOT ride downhill on a full charge.



It is strongly recommended all riders take their first rides in **LEARNING MODE** (Mode 1) and slowly elevate modes to learn the feel and power of the board.



HILLS AND HIGH SPEED can be very dangerous. Always assume you may need to foot brake your way out of a sticky situation and never ride faster than you can stop. Ride within your capabilities.



NEVER ride the board while under the influence of drugs and/or alcohol.



PROLONGED EXPOSURE TO HIGH HEAT may damage the electronics. Avoid leaving your board in a hot car or trunk.



LEARN AND OBEY local traffic laws.

SHARE the road. Be courteous of cyclists, pedestrians and other modes of transport.

PERFORMANCE SPECS

RANGE

Depending on many variables, your Metroboard Pathfinder has a range of 25+ (12s4p), 37+ (12s6p) and 50+ miles (12s8p).

SPEED

Top speed varies depending on operating mode. Mode 1 top speed is 15 mph, mode 2 is 25 mph and, in optimal conditions, mode 3 will reach 36+ mph.

GRADE

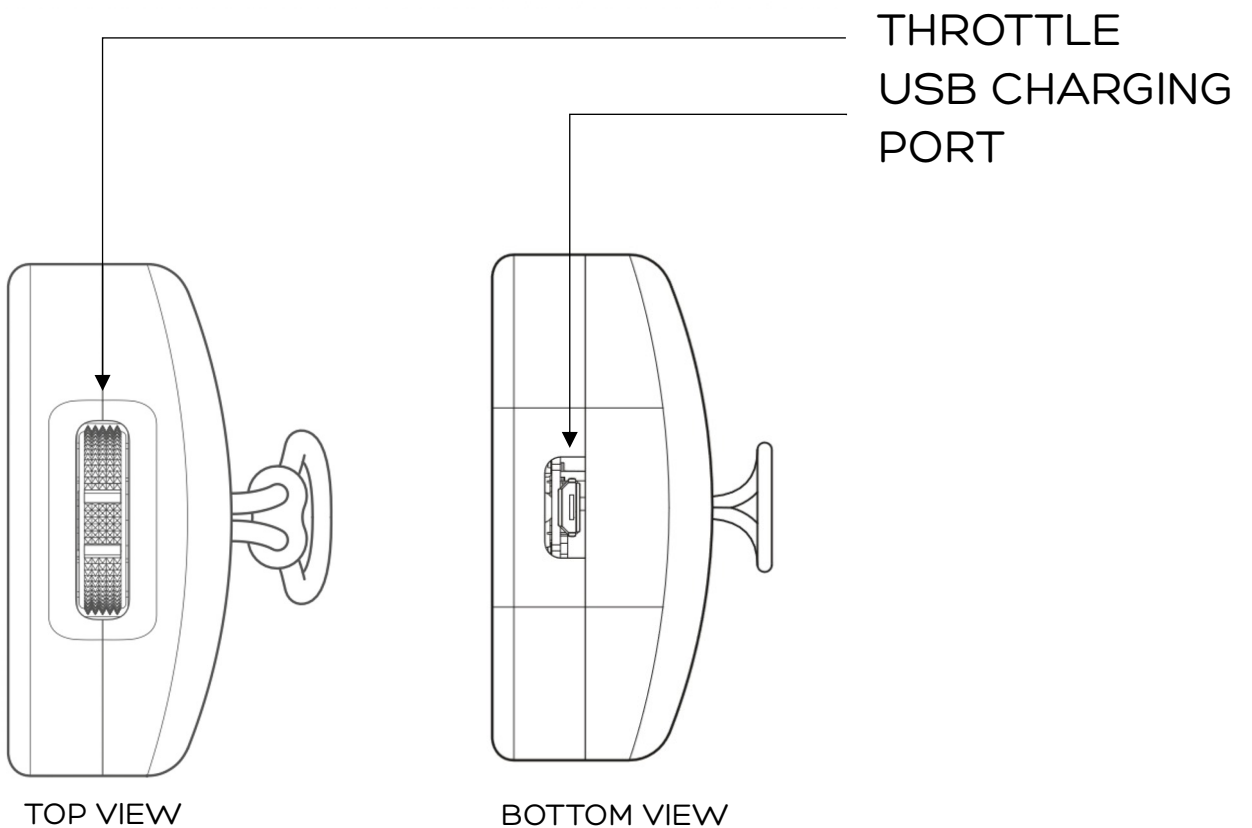
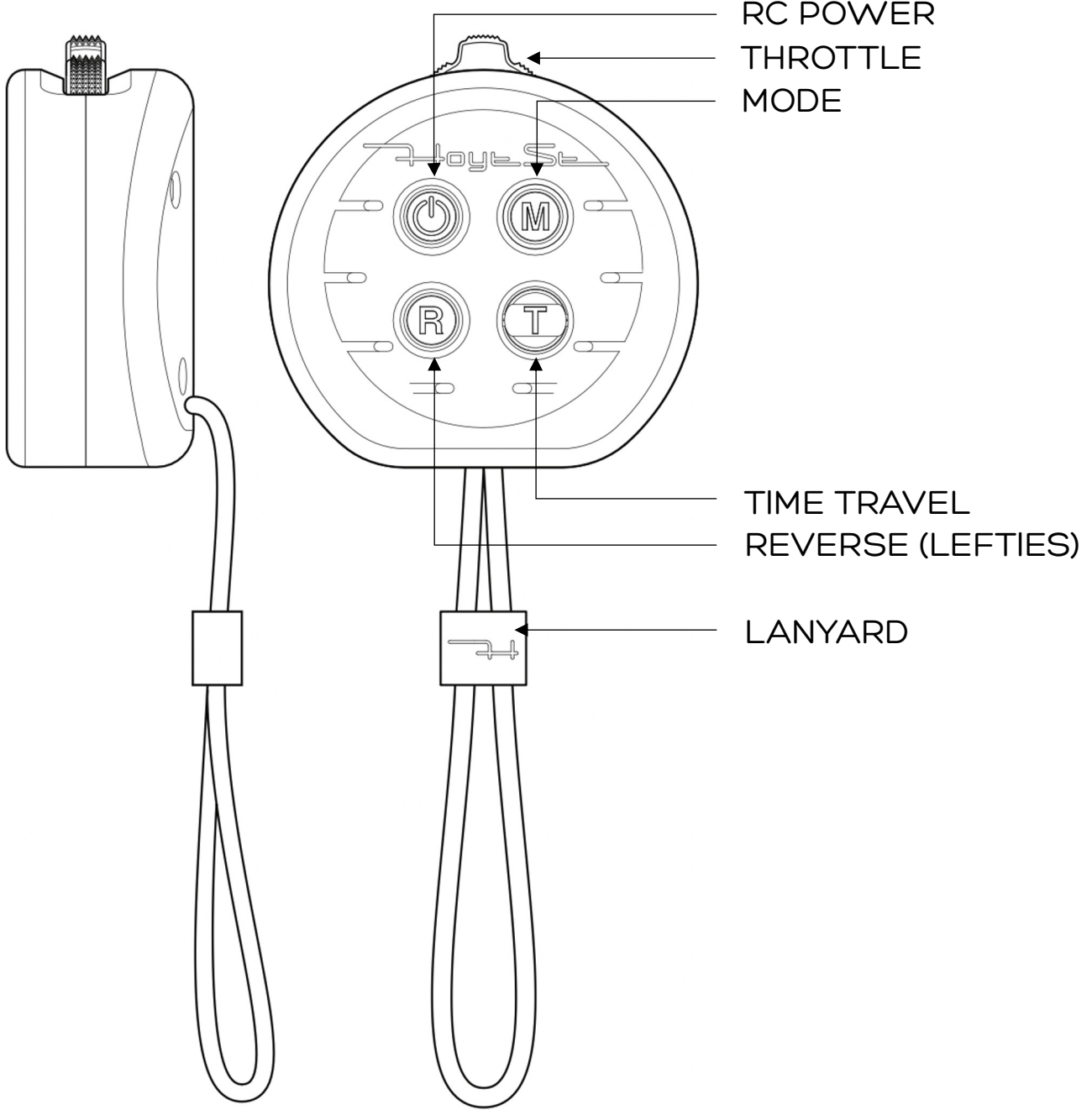
Maximum grade in mode 3 on a full charge is >40% while mode 2 is 25% and mode 1 is 15%.

WEIGHT

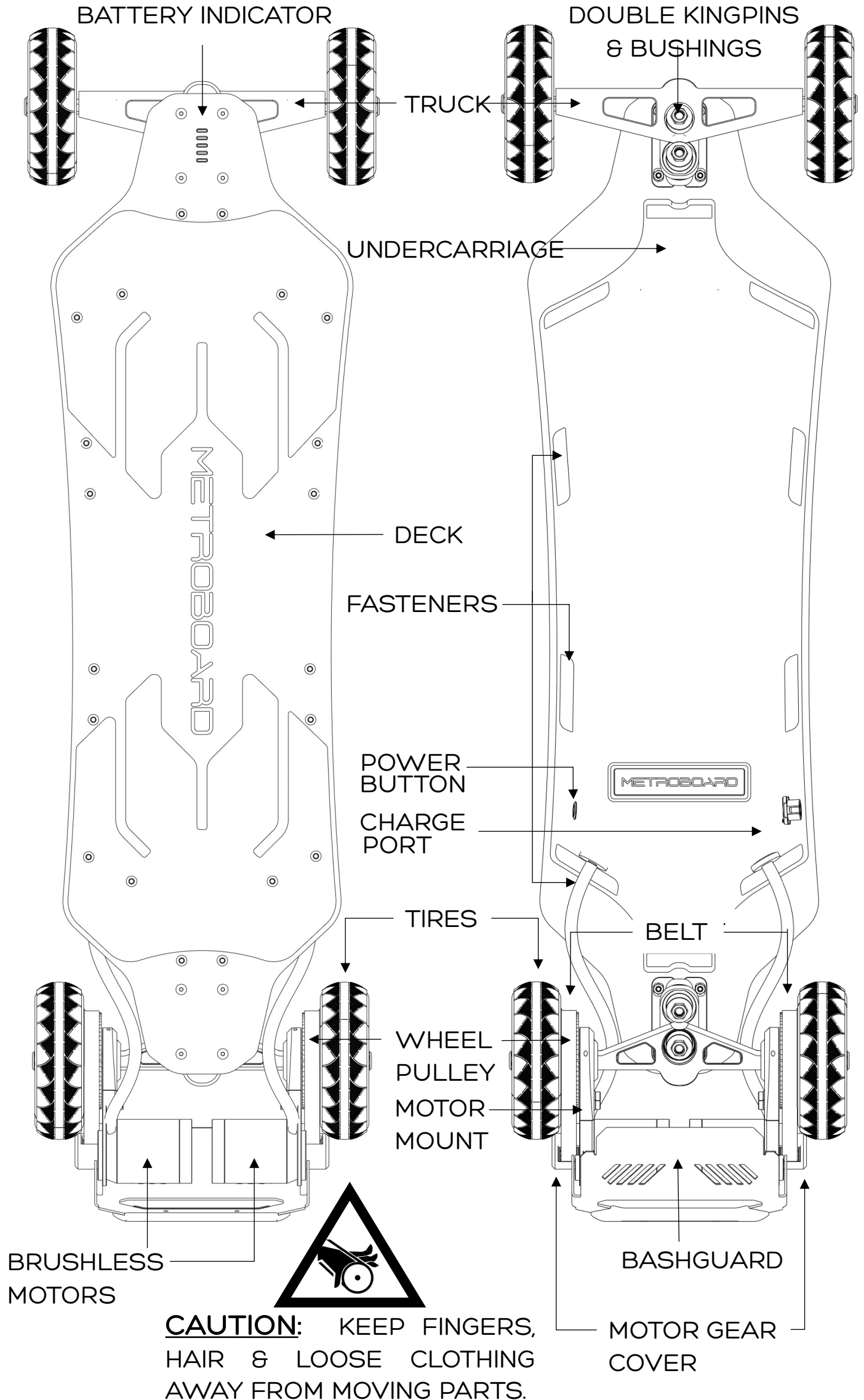
Your Pathfinder weighs in at 38 to 42 pounds. The ranges, speeds and grades noted above are assuming a 180 pound rider.

GLOSSARY

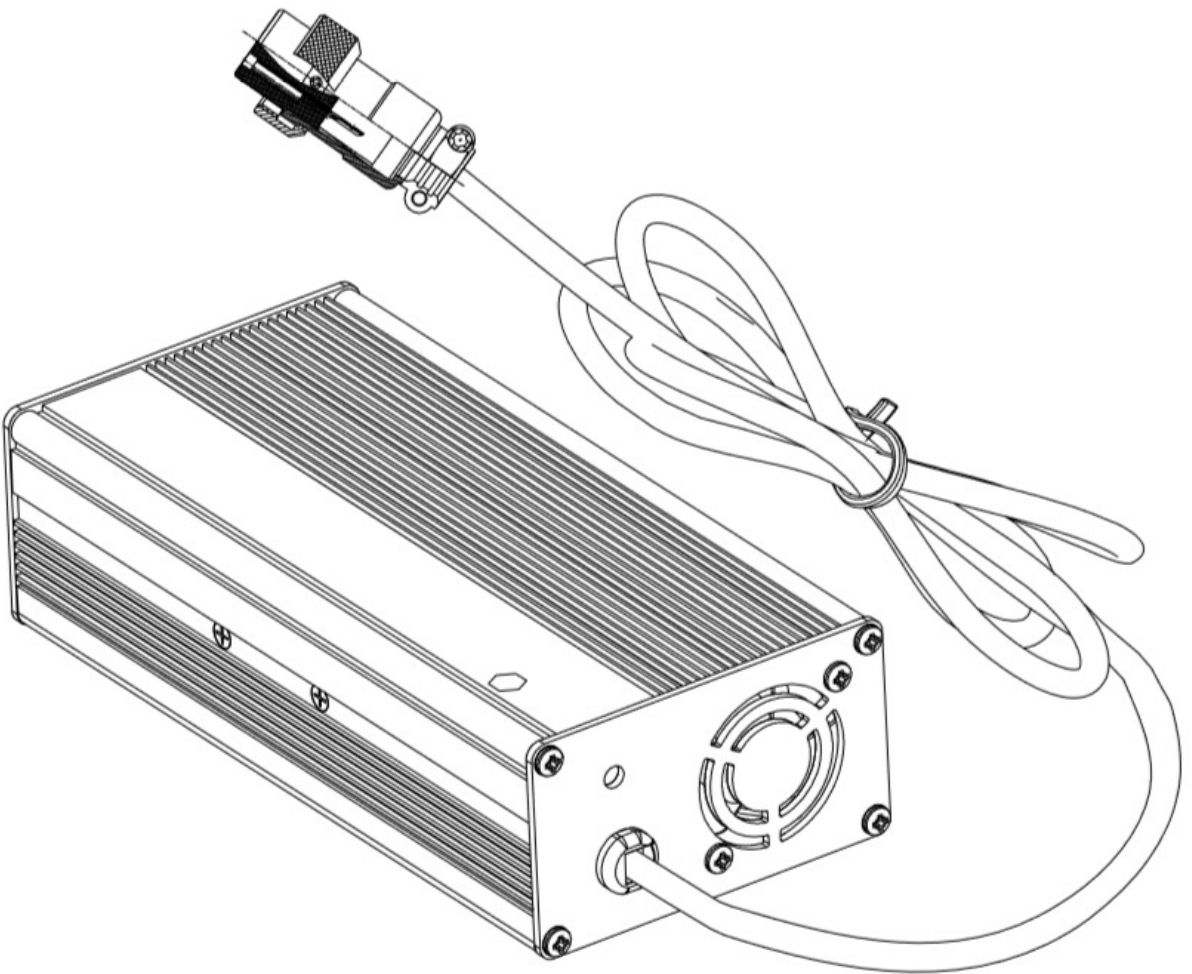
REMOTE CONTROL



EXTERNAL COMPONENTS



CHARGER



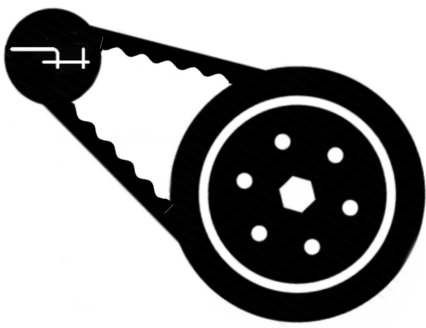
Metroboard chargers are UL certified and built with the highest level of quality and safety. To charge your board, plug in the charger to the port located on the rear left side of the enclosure. Lift open the charging hatch and insert the charger. Do not force fit. A red LED will light up while charging and turn green when fully charged. The process requires ~2½-4½ hours depending on your P groups.

TIP 1: The batteries will not be damaged in any way by operating the board after a partial charging session.

TIP 2: The charger is designed to safely charge individual packs as well as two or three packs at a time.

TIP 3: Never charge your board unattended.

CAUTION: The majority of lithium ion battery accidents occur during the charging process. Only use Metroboard's supplied charger. Using a different charger may damage the batteries, shorten their life cycles, or even cause fires.



OPERATION GETTING STARTED

CHARGE THE DECK

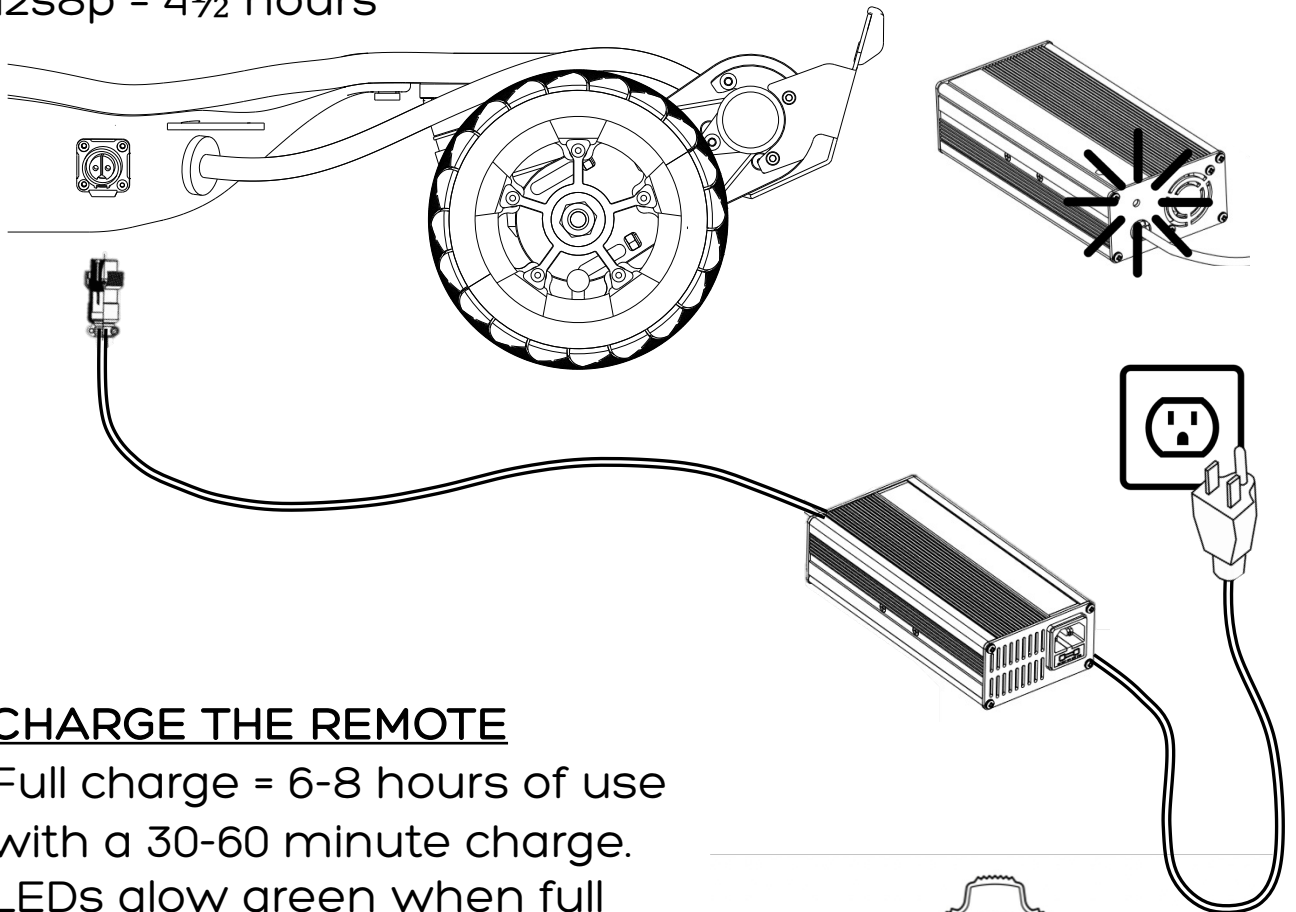
Full charge

12s4p = 2½ hours

12s6p = 3½ hours

12s8p = 4½ hours

Charger light turns green
when deck is fully charged.



CHARGE THE REMOTE

Full charge = 6-8 hours of use
with a 30-60 minute charge.

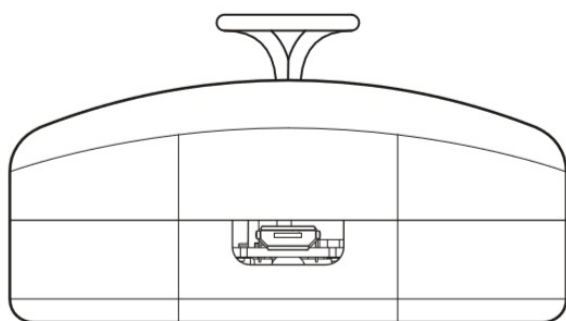
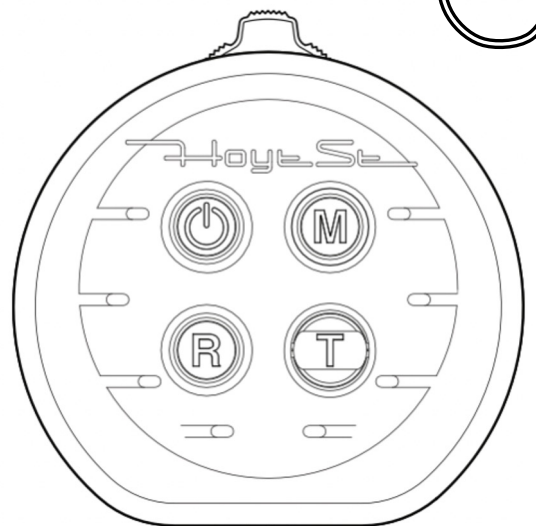
LEDs glow green when full
charge reached. While riding,
click the power button once to
check SOC.

Blue = 8 to 4 ½ hours

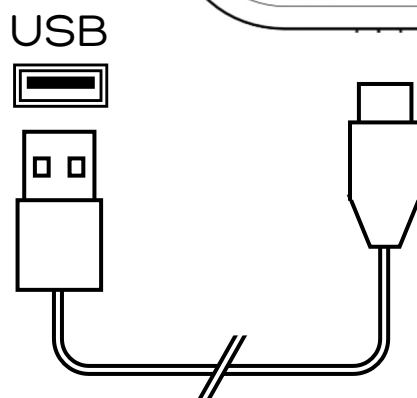
Green = 4 ½ to 1 hour

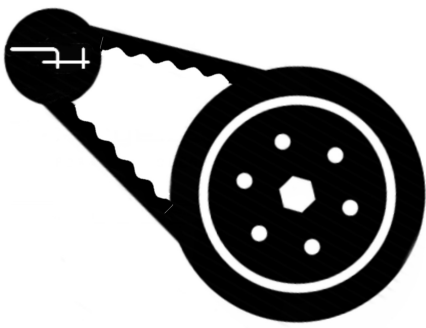
Yellow = 1 hour to 20 min

Red = <20 min



BOTTOM VIEW





OPERATION LET'S RIDE!

SAFETY FIRST

ALWAYS WEAR A HELMET and consider other protective equipment.



Verify the board is functioning (without rider) in a flat, open area clear of obstructions.

If this is your first ride, we urge you to get a feel for the power and nuance of the board in beginner mode.

Beware of obstacles that may cause control issues: gravel and rocks, cracks and tracks, grates and drains, water and ice, etc.

Remember skateboarding is a dangerous activity, capable of causing serious injury or death. Take necessary precautions to avoid both.

STANCE

Leverage the drop deck and position your body to brace yourself against the forces of acceleration and deceleration.



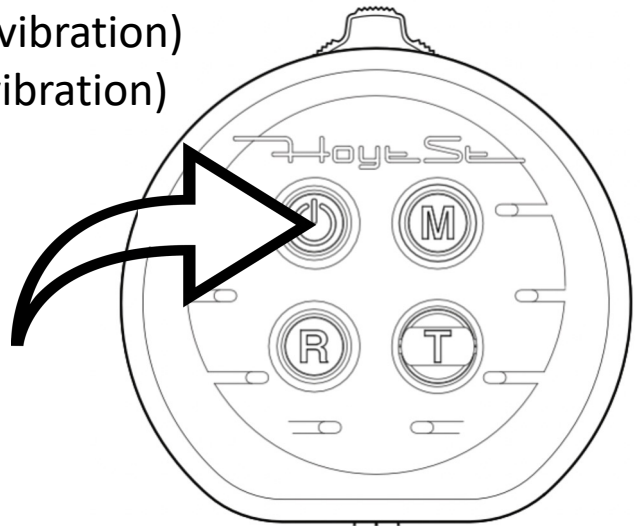
POWER THE REMOTE ON AND OFF

Press and hold the power button until it vibrates.

ON: hold 1½ seconds (short vibration)

OFF: hold 1½ seconds (long vibration)

AUTO-OFF: after 5 minutes
of inactivity.



POWER THE DECK ON AND OFF

ON: hold for 0.5 seconds.

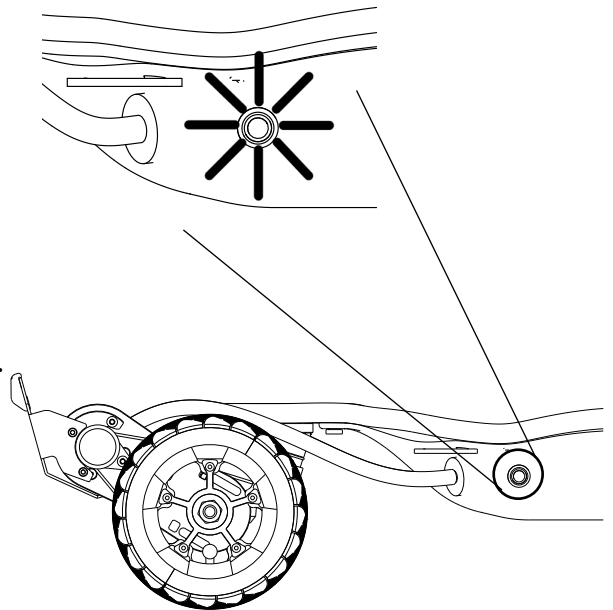
LED light will illuminate.

OFF: instantaneous.

until LED light turns off.

AUTO-OFF: board will turn
off automatically after
30 minutes of inactivity.

SAFETY NOTE: always turn
skateboard off when
remote is off to avoid
wi-fi hijacking.



CHECK REMOTE-DECK PAIRING

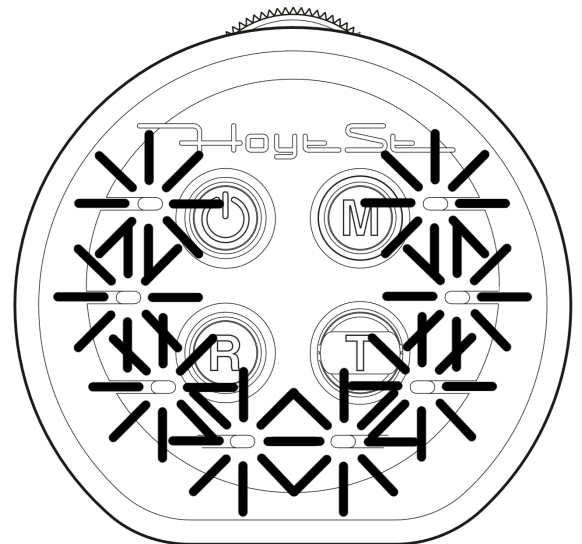
Paired:

remote LED lights
turn white for <1 second

Unpaired:

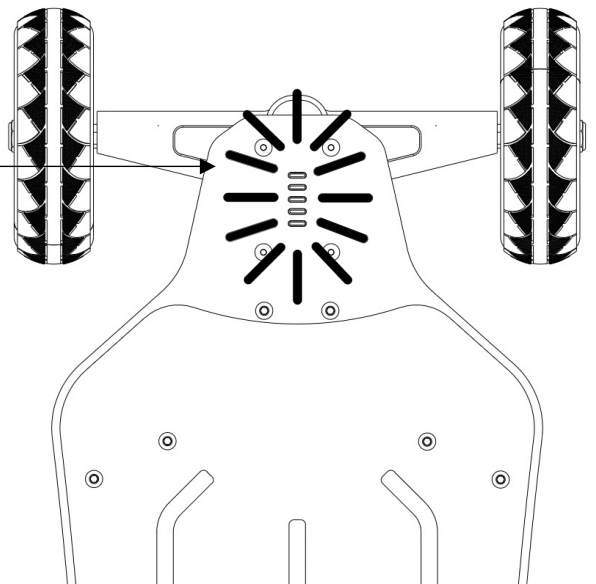
remote LED lights
are blinking red.

Reference Maintenance
section for re-pairing.

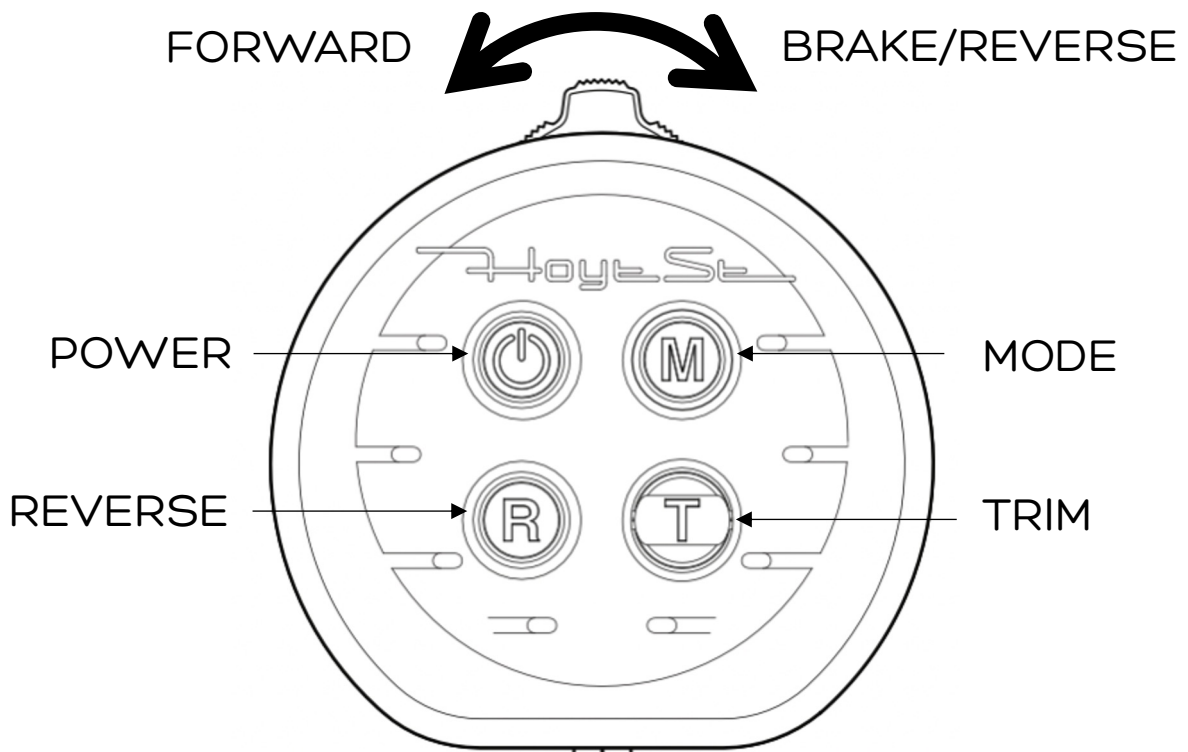


CHECK DECK BATTERY LIFE

LED deck battery
indicator at nose
of deck illuminates
when board is on.



USING THE REMOTE CONTROL



POWER: Powering on and off requires a 1½ second hold. Remote will vibrate at activation. Auto-off activates after 5 minutes of inactivity. Double click to lock/disengage throttle but maintain pairing. Double click again to unlock. Throttle Lock: double click to lock/unlock. Blue light will glow when locked.

MODE: Hoyt St remote control comes with three modes: Click once to toggle between modes, each mode vibrating (once, twice or thrice) to indicate mode.

Mode 1: Learning on flat ground for beginners.
Mode 2: Moderate acceleration and hill climb. Mode of choice for majority of riders.
Mode 3: Delivers more power on acceleration and steep uphill climbs.

All modes have equal braking characteristics. Toggling modes while operating the skateboard is enabled when throttle in neutral position.

REVERSE: For left handed remote use. Hold button for 1½ seconds until vibrating beep. Test to validate throttle direction has reversed before riding.

TIME TRAVEL: Feature not yet unlocked.

Remote Control (Re-)Pairing: Pairing is the process of wirelessly coupling your remote control transmitter with the receiver built into the board so other transmitters cannot interfere with data transmission. To re-pair the remote:

- Turn off skateboard and remote control.
 - Simultaneously hold the Power, Mode and Reverse buttons until remote control LEDs flash rapidly.
 - Turn on the skateboard's power. Pairing is complete
-
-

FCC STATEMENT:

Warning: changes or modifications not expressly approved by the party responsible for compliance void the user's authority to operate the equipment.

This equipment has been tested and found to comply with the limits for a Class B digital device, pursuant to Part 15 of the FCC Rules. These limits are designed to provide reasonable protection against harmful interference in a residential installation. This equipment generates, uses and can radiate radio frequency energy and, if not installed and used in accordance with the instructions, may cause harmful interference to radio communications. However, there is not guarantee that interference will not occur in a particular installation.

If this equipment does cause harmful interference to radio or television reception, which can be determined by turning the equipment off and on, the user is encouraged to try to correct the interference by one or more of the following measures:

Reorient the receiving antenna

Increase the separation between the equipment and receiver.

Connect the equipment into an outlet on a circuit different from that to which the receiver is connected.

Consult the dealer or an experienced radio/TV technician for help.

This device complies with part 15 of the FCC rules. Operation is subject to the following two conditions: 1) this device may not cause harmful interference and 2) this device must accept any interference received, including interference that may cause undesired operation.

Wireless Electrical Parameters:

RF Range: 2408-2475MHZ

RF Power: >20dBm(EU)

Input Power: 1S3.7V *1000mAh

HP1 FCC ID: 2 A Z E 4 - H P 1

HR1 FCC ID: 2 A Z E 4 - H R 1

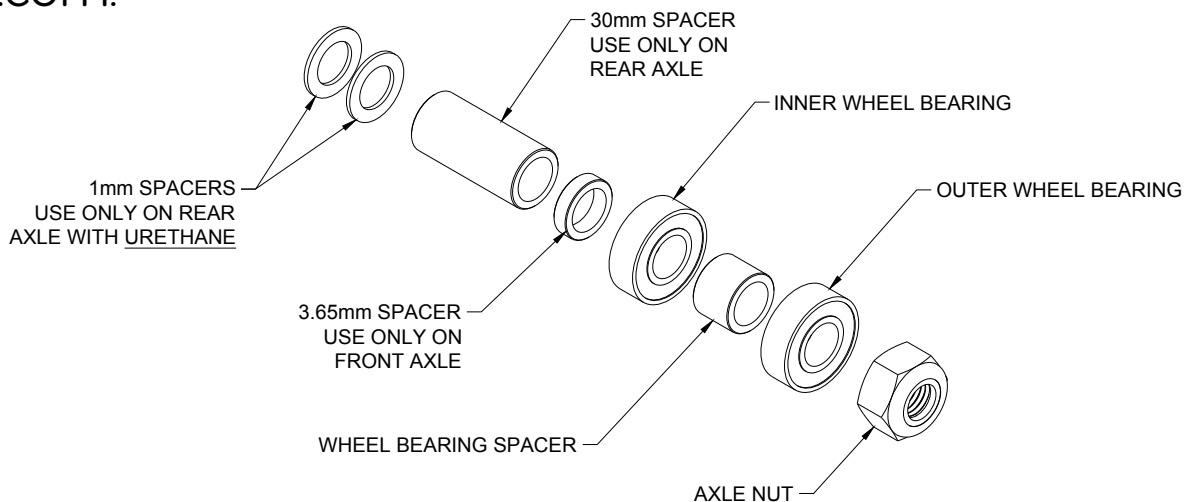


MAINTENANCE GUIDE

TIRES, WHEELS AND PULLEYS:

- Rotate your front and rear tires when tread is worn down
- Replace tires when worn down to the cords.
- When removing wheels, keep track of the spacers on the axle and replace in the same position/order.
- Urethane pulleys are press fit and bolted on. Once bolts are removed, some prying and force is required to remove the pulley.
- Be sure to use blue Loctite on the screws when reinstalling pulleys..

Metroboard will transfer your wheel pulleys to new wheels free of charge when new wheels purchased from Metroboard.com.



IMPORTANT: For optimal safety and range, always use wheel spacers and washers against both the trucks and bolts in the wheel assembly.

Tip: Watch instructional videos at the Hoytskate Youtube channel.

Belt Tension: Proper tension is a key performance factor.

Your board comes preassembled with optimal tension.

- Excessive belt tension leads to increased rolling resistance, lower range and possible belt failure.
- Low tension leads to pulley slippage during acceleration and braking. A low pitched vibrating noise will accompany the slipping action. After springs tension the mount, tighten the grub screw so the belts stay tight.

Belt Tension Adjustment:

- Important: Loosen but do not remove the bolts and nuts.
- Loosen the two hex bolts located on motor mount alongside the tension springs.
- Once the hex is loosened, the motor mount springs will auto-set the belt tension.
- If necessary, manually adjust the belt and motor mount for proper alignment and re-tighten the bolts.

Belt maintenance: Hoyt St belts have been built to last hundreds of miles without replacement.

1. Inspect belts and pulleys periodically by manually rotating the wheels. Remove any sharp objects and debris that may have lodged in the belt or pulley teeth.
2. Belt replacement:
 - Unscrew wheel nut, carefully setting aside washers.
 - Pull the wheel and pulley assembly off the belt by gently rotating the wheel while nudging the belt towards the truck.
 - Remove the motor pulley cover, then the old belt and place the new belt around the motor gear.
 - Replace the motor pulley cover.
 - Ensure the motor gear is fully pressed against motor.
 - Install first wheel washer. Align the bearing spacer with the hole and install the wheel and pulley onto the axle and over the belt. Add the second washer.

Wheel bearings: Electric skateboards can easily travel hundreds of miles at high speeds over several sessions; it is imperative that the bearings be maintained for rider safety. Periodically check for noise. A grinding or squeaking noise may indicate compromised bearings. Bearings should either be replaced or cleaned every three hundred miles. No skateboard bearings are fully protected from the debris that rainwater and mud carries. Avoid riding in the rain or be prepared to replace/clean your bearings more frequently.

Every several rides inspect all screws, nuts and bolts, and tighten as necessary. Ensure belts are under proper tension..

PLEASE CONTACT info@metro-board.com if your board is behaving irregularly so we can troubleshoot together.

Please visit metro-board.com for more information and our YouTube channel for instructional videos.

Enjoy your Pathfinder electric skateboard!



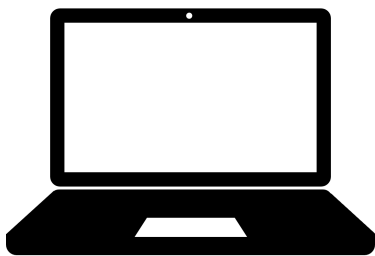
LIMITED WARRANTY

Your Metroboard electric skateboard is covered by a 6 month manufacturer's warranty, covering defects in craftsmanship and materials. Not covered is damage as a result of abuse, misuse, neglect, negligence, accident or exposure to water. Modification of components and/or tampering with the electronics voids the warranty. Perishable items like wheels, belts and bearings are excluded from warranty.

Metroboard will be partnering with Extend for up to three year extended warranty which is available at purchase or up to 6 months after.

If you discover a product defect within 6 months of ship date, contact info@metro-board.com for return instructions.

Retain your box for return shipping. Warranty excludes damage from shipping in alternative packaging.



ADDITIONAL ONLINE INFO

Website: www.metro-board.com

Email: Info@metro-board.com

Instagram: [metroboards](https://www.instagram.com/metroboards)

Facebook: [Metroboard Electric Skateboards](#)
[Metroboard - Owners Forum](#)

Mail: 5305 NE 121st Ave Unit 606
Vancouver, WA 98682

Telephone: 360-851-9586



METROBOARD

5305 NE 121ST AVE Q606, VANCOUVER, WA 98682

www.metro-board.com

© Metroboard, LLC 2018

Photo credit: <https://unsplash.com/@kimilee>