

E U R U S S 8



For more Information or to place orders
Contact
BORG DENTAL (03) 9329 6276
info@borgdental.com.au



E U R U S

With a name inspired by the East Wind, which brought blessed rain to grain fields in ancient Greek mythology, Eurus embodies our belief of bringing highly innovative, reliable products to the world of dentistry.

COMPACT SPACE

Wide Variety of Treatment Styles

The ambidextrous dental unit is ideal for both right and left handed dentists and assistants. The changeover is easy and takes only a few minutes. This function makes the unit suitable for a variety of operating styles and increases efficiency. For example, the rotatable assistant holder tray offers dentists a more comfortable operating space and allows for two-handed operations. Positioning the doctor table behind the chair enables assistants to prepare during consultations.



Two-handed position

The long reach and light movement of the arm facilitate two-handed treatment to be administered without stress.



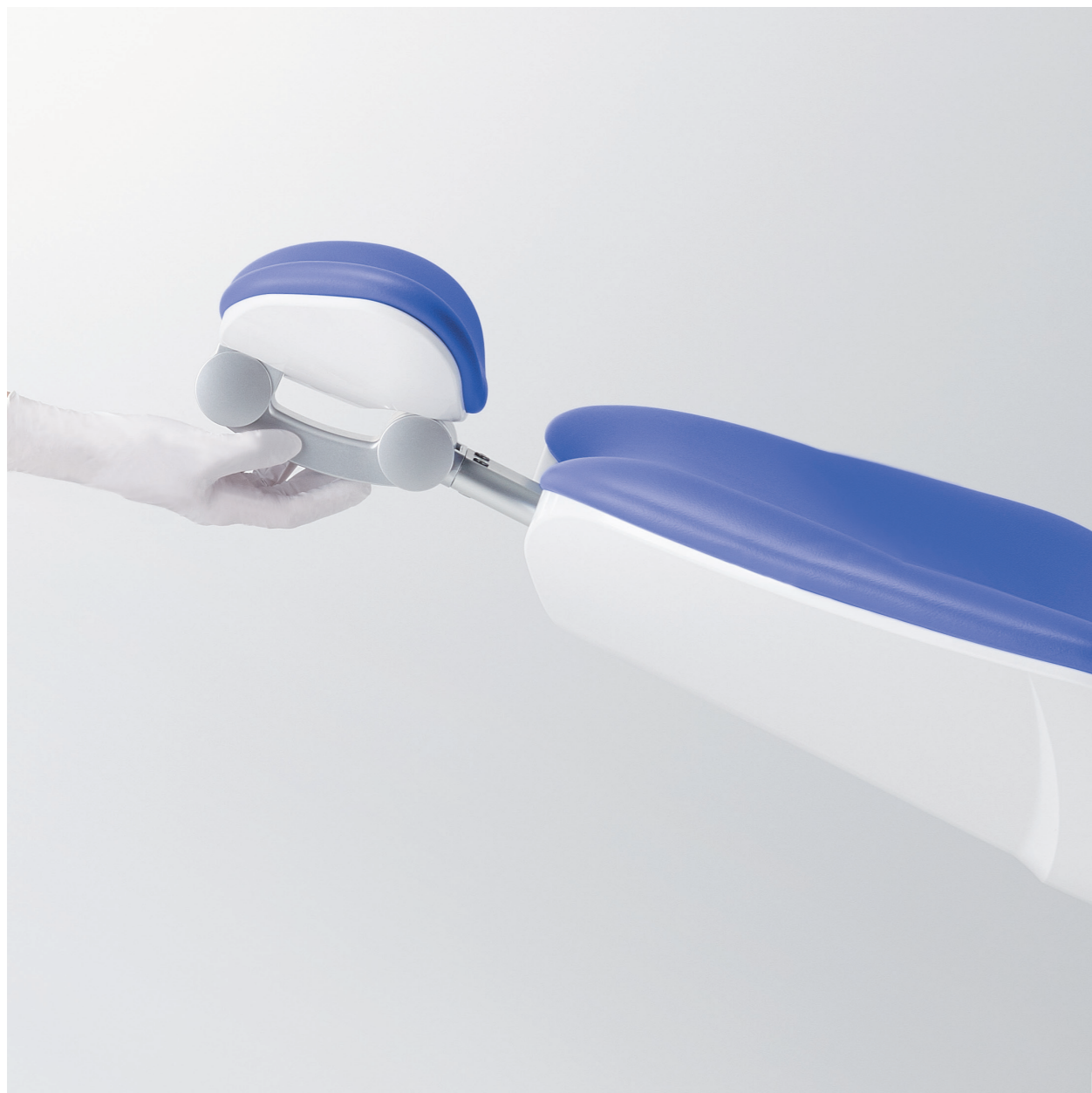
Four-handed position

In four-handed position, the dentist and the assistant have enough space to facilitate smooth treatment.

LIGHT AS AIR

A highly manoeuvrable and lightweight doctor table reduces fatigue for dentists. It allows the doctor table to be moved with only a minimum of effort. This characteristic can lead to a prolonging of a dentist's career. The doctor table and cuspidor can be moved over a wide range from left to right. Belmont has over 25 years experience in developing this wide range of motion specification.





SMOOTH, COMFORTABLE AND RELAXING

Chair

The advanced hydraulic chair mechanism ensures the smooth, quiet and efficient movement of every chair function. This allows the patient to be manoeuvred effortlessly into the most comfortable position to receive their treatment. Accommodating the unique age, height and stature of every patient, from small children to adults, the position of the new twin-axis headrest system can be fine-tuned in increments of 7.5 degrees for the ultimate in precision and comfort. Featuring new advancements in manoeuvrability, the headrest can also be height adjusted effortlessly by the dentist and assistant to ensure complete comfort for the patient. The chair has a low initial height with 200kg load capacity.



Rotating armrests

The armrests are designed with a length and shape that make it easy for patients to hold, and the side-rotating mechanism helps elderly patients mount and dismount the chair with ease.



Wireless foot controller with chair stick switch **Option**

The dental chair can be entirely manipulated in a hands-free, hygienic and intuitive manner using only the operator's foot.



Power headrest **Option**

The full 120mm stroke and the neck angle can be easily adjusted without imposing excessive strain on the patient. The motorised headrest can also be manoeuvred hands-free via the foot switches, which ensures complete hygiene and safety.

FIT THE HEIGHT

Arm Holder

The table's vertical range of motion is 840, 865, and 890 mm, adjustable in three-stage height.



Handle - ideally suited for touch-panel operation
The handle is not only designed for an easy hold-and-move motion, it also provides an ideal resting position for the hand. This reduces stress and fatigue, and it facilitates reliable touch-panel operation.



Instrument holder's position
Designed to be independent from the table, the instrument holder can be freely adjusted via a three-axis adjustment mechanism to achieve the best working position for the dentist.



Hose guide
The smooth, frictionless motion of the roller frees the dentist and dental assistant from the weight of the hose and burden when drawing out dental instruments.



Long reach
The long reach of 900 mm allows the dentist and dental assistant to treat patients easily from the chest position as well as from the dental chair's side position.

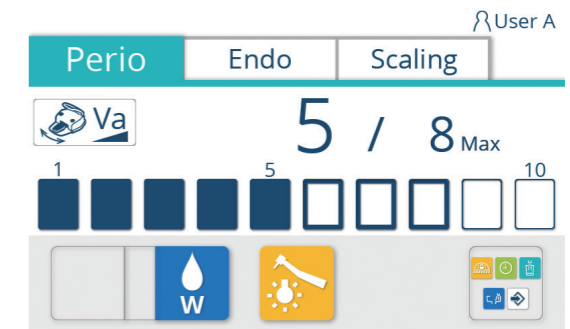
YOUR STYLE AT THE TOUCH OF A FINGER

Interface

Designed to improve efficiency and reduce stress during treatments, the screen only displays necessary information when a handpiece is selected and picked up. This allows the dentist to concentrate on the treatment at hand as well as the patient, without unnecessary distraction.



Motor
Configuring the screen for handpiece motors, which is capable of storing four different settings, allows for intuitive, seamless operation. RPM, torque and rotational direction can also be selected with a single touch of the screen.



Scaler
From the handpiece setting screen, the treatment modes i.e. periodontal, root canal and scaling, can be selected and stored with a single touch of the screen.



Sideways operation
A new slide foot controller allows for precision adjustment via sideways position motions and step-on activation. Maximum RPM can be set for the handpiece quickly and intuitively.

PROVIDING QUALITY

Cuspidor

The cuspidor has been expanded to offer larger capacity and easier access which, with the separator, ensures the highest levels of hygiene are maintained.



LED Indicator Option
The unit features a safety Indicator that displays the lock-status of the dental chair and handpieces in an easy-to-see way. This ensures the dentist and dental assistant quickly and easily understand the status of the unit.



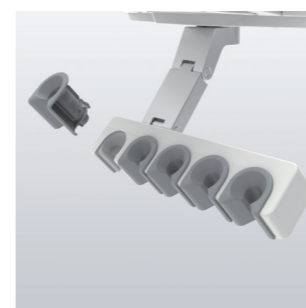
Suction system
The unit provides effective and reliable suction that has been significantly increased by 185%. This system can also be adapted for twin suction, which proves useful for more intensive surgical procedures.

*Comparison of our conventional products under our conditions.

IMPROVED CLEANING PERFORMANCE

Cleanliness

Hygiene inside the chair unit is maintained by water line flushing, which means that patient-friendly treatments can be administered in complete safety and confidence. As an environmentally friendly option, the unit comes with a separator, or a separator with an amalgam collector, to reduce the need for everyday maintenance.



Autoclavable holder Option
The dentist outlets and the assistant outlets can both be autoclaved and detached for cleaning.



Suction line clean system Option
Daily use of the integrated suction cleaning system prevents build-up of debris in the suction line and helps to maintain constant suction.



Detachable light components Option
The lens cover and autoclavable light handles are effortlessly removed with a single lever action for easy cleaning.



Flushing system Option
The handpiece flushing system inhibits biofilm build up and bacterial growth in the handpieces hoses.



Water bottle Option
Clean water is easily accessible for handpieces and the cupfiller via a water bottle that's conveniently located and secured immediately under the doctor table.

BRIGHT AND GENTLE

Lighting Fixture

Our lighting fixtures are designed to reproduce natural light with a high functional colour rendering capacity. The light's composite mode can be active, and the light can be turned on and off, via its touch-less sensor.



900 DENTAL LIGHT

The light output can be adjusted between 4,000 lx and 35,500 lx.



EURUS LIGHT

This next-generation LED lighting fixture, which conforms to ISO9680, is capable of emitting light with variable intensity from 5,000 lx to 34,000 lx.



Flexible lighting

The Belmont spring arm allows the light to be moved around effortlessly and remain in the desired position, so that the dentist or dental assistant can begin treatments without delay. The arm spans a wide area, including the maxillary and mandibular areas of the patient, to ensure optimum illumination for every dental procedure.

COLOUR VARIATIONS

Colour coordination

The upholstery can be colour coordinated to suit the interior aspects and design of your dental clinic from four themes: Warm, Cool, Earth and Vitamin; and from three upholstery styles: seamless, seam and luxury.

[Seam & Seamless]

Warm Colour						
Cool Colour						
Earth Colour						
Vitamin Colour						

[Luxury]

E U R U S

Select a Eurus unit that's best suited to the specific needs of your clinic and patients from a wide range of options.

Variations

Conceptualised by Belmont to capture essences of cleanliness, tenderness and supreme ergonomics, the Eurus Series presents a comprehensive range of stools, dental chair units and dentist tables to accommodate the individual requirements of you and your dental team as well as patients.

With a proud and distinguished heritage in the dental industry, Belmont prides itself on creating innovative products that are conceived through a deep understanding of the professional and treatment requirements of dentists and dental assistants, and the expectations of your patients. Our appreciation of established and emerging technical demands and dental procedures, and the anxiety experienced by many patients, are also reflected and inherent in every equipment concept to make the delivery of treatments, and a visit to the dentist, as pleasurable and comfortable as possible.



S8 Standard

- [Chair]
Contour Chair
- [Unit Mount Type]
Rotation Cuspidor & Base Mount Dr. Table (Holder/Place)
Rotation Cuspidor & Cart (Holder/Place)
Rotation Cuspidor & Swing Mount Dr. Table (Rod)
- [Light]
Unit Mount LED Light



S8 VacPac

- [Chair]
Contour Chair
- [Unit Mount Type]
VacPac & Base Mount Dr. Table (Holder/Place)
VacPac & Cart (Holder/Place)
VacPac & Swing Mount Dr. Table (Rod)
- [Light]
Unit Mount LED Light

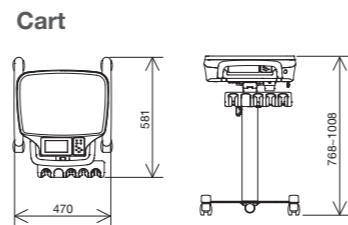
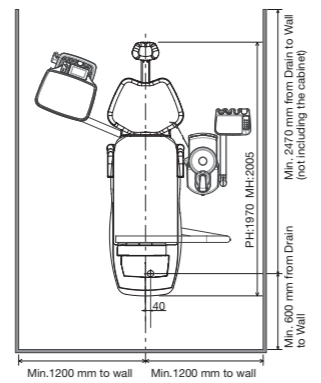
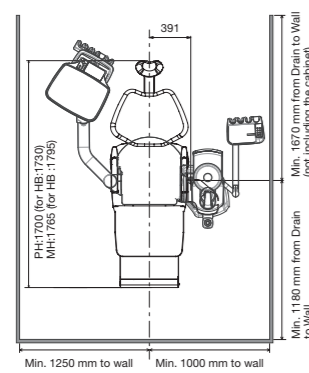
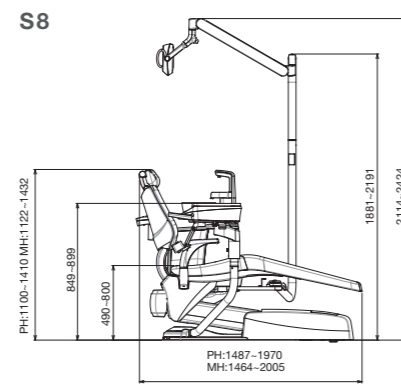
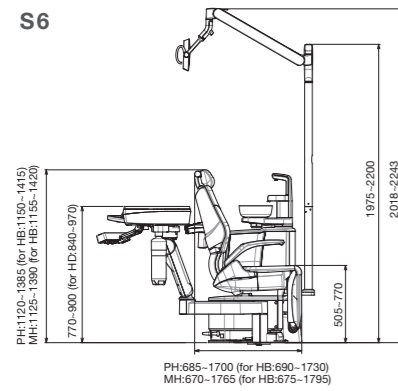
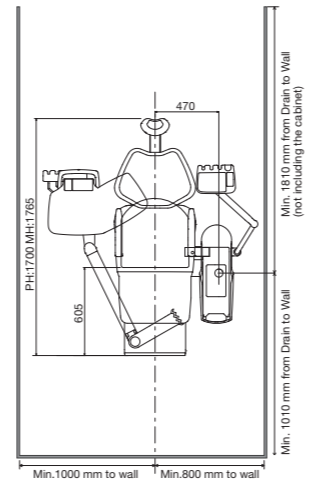
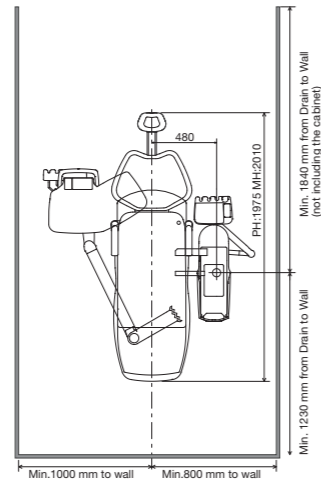
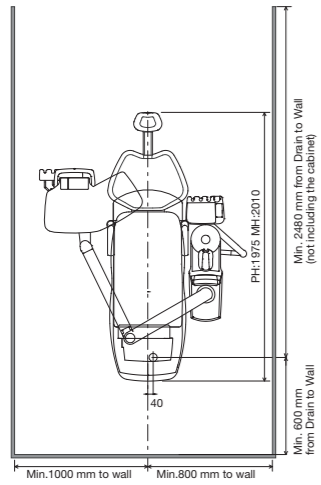
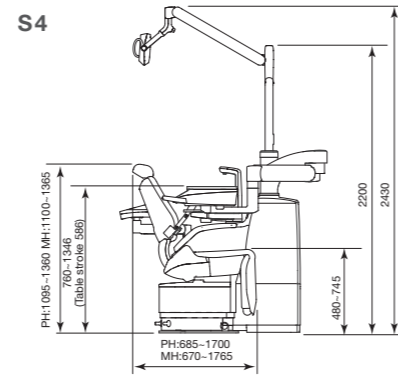
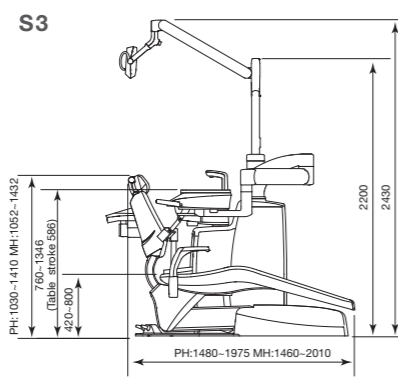
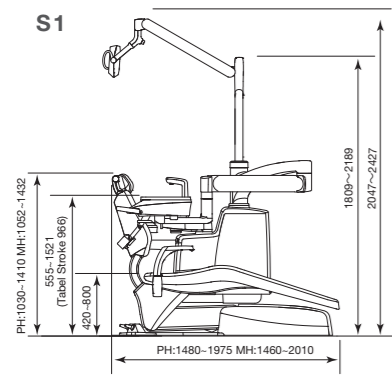


S8 Without Cuspidor

- [Chair]
Contour Chair
- [Unit Mount Type]
Base Mount Dr. Table (Holder/Place)
Cart (Holder/Place)
Swing Mount Dr. Table (Rod)
- [Light]
Unit Mount LED Light



Dimensions



PH: Power Headrest | MH: Manual Headrest | HB: High Backrest spec. | HD: High Dr. Table spec.

EURUS Options & Accessories

EURUS Options & Accessories

● Standard | ● Optional | ⊗ Not available | HT Holder type only | BM Base mount type only | RT Rod type only | CT Cart type only | FC Foot Controller

Chair



Twin-axis headrest



Power headrest

Light

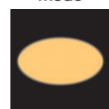


Patient mirror

Normal



Composite mode



Dentist Element



Holder type



Rod type



Place type



Cart (Holder type)

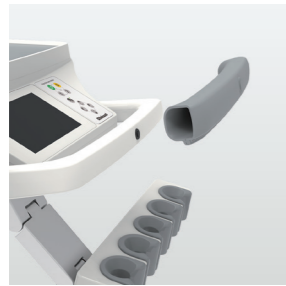


Table handle cover (Holder/Place type)



Table handle cover (Rod type)

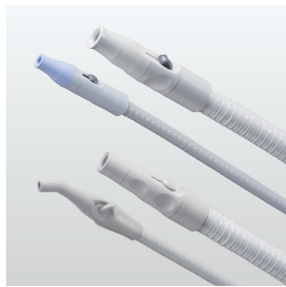


Syringe Belmont BT14 & 77



Wireless foot controller

Unit Body



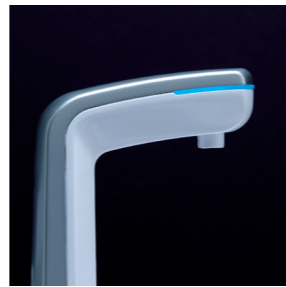
High-volume evacuator handpiece & Saliva ejector Belmont & Dürr



Twin suction (two solid correctors)



Sensored cupfiller



LED indicator



Separated junction box



Monitor bracket (not incl. monitor)



Suction line clean system



Flushing system (integrated type)

Chair	S1 & S3 Contour	S4 Folding legrest	S6 Folding legrest	S8 Contour
Twin-axis headrest	●	●	●	●
Power headrest	●	●	●	●
Armrest at left side only (fixed)	●	⊗	⊗	⊗
Armrest at both side, left side fixed & right side rotated	●	⊗	●	⊗
Armrest at both sides rotated	⊗	●	⊗	●
Integrated stick switch (1 control, manual chair switch or power headrest)	⊗	⊗	⊗	● / FC
Integrated stick switch (2 controls, manual & auto mode chair switch)	●	●	●	● / RT
Integrated stick switch (2 controls, manual chair switch & power headrest)	⊗	⊗	⊗	● / FC
Integrated stick switch (3 controls, manual & auto mode chair switch & power headrest)	●	●	●	● / RT
Upholstery seam type	●	●	●	●
Upholstery luxury seam type	●	●	●	●
Upholstery seamless type	●	●	●	●

Dentist Element	S1 & S3 & S4	S6 & S8
Touch panel screen, 5 inch	●	●
Protection sheet for touch panel	●	●
Table handle cover	●	●
Small table with silicone mat	● / CT, ● / exc. CT	● / BM & CT
Large table with silicone mat	● / exc. CT	● / BM
Sub-tray holder Small (size: 290 x 190 mm)	● / RT	● / RT
Sub-tray holder Large (size: 380 x 290 mm)	● / RT	● / RT
Silicone mat for Sub-tray (small/large)	● / RT	● / RT
Autoclavable holder outlet	● / HT	● / HT
3-way syringe	●	●
6-way syringe	●	●
Midwest 4 holes turbine hose	●	●
Midwest 4 holes turbine hose with fiber optic	●	●
Micromotor (air/electric)	●	●
Scaler (air/electric)	●	●
Water heater for handpiece	●	●
Foot controller (wired)	●	●
Foot controller (wireless)	●	●
Intra oral camera	●	●
USB port	●	●
Stainless waste receptacle & cotton container with stand/ vials x 5 pcs with stand	●	●
Intra oral film viewer	●	●
Panorama film viewer	●	●
Monitor bracket	⊗	● / BM
Curing light	●	●

Assistant Element	Standard	VacPac (S6&S8 only)
Standard type assistant arm	●	●
Ratchet gear type assistant arm	●	●
3-way syringe	●	●
High-volume evacuator & saliva ejector handpiece	●	●
Twin suction	●	●
Autoclavable holder outlet	●	⊗

Unit Body	Standard	VacPac (S6&S8 only)
Electric timed cupfiller & bowl flush	●	⊗
Sensored cupfiller & bowl flush	●	⊗
LED indicator	●	⊗
Rotating cuspidor bowl, porcelain	●	⊗
Water heater 24V	●	⊗
Water disinfection system	● / S1&S3&S4 only	⊗
Clean water system with water tank	●	● / Attached to Dr. side
Separator	●	⊗
Amalgam separator	●	⊗
Suction line clean system	● / S3&S4&S6&S8 only	⊗
Flushing system without flushing tray	●	●
Flushing system with flushing tray	●	⊗
Flushing system (integrated type)	● / S1&S3&S4 only	⊗
Monitor bracket	●	●
Service outlet for water / connector for water	●	⊗
Service outlet for air/ connector for air	●	⊗
Separated junction box	● / S1&S3&S8 only	●

Light	EURUS LIGHT	900 LED LIGHT
Autoclavable detachable light handle	●	●
Patient mirror	●	●

Stool	
EURUS stool for dentist	●
EURUS stool for assistant	●