

E U R U S S 6



For more Information or to place orders
Contact
BORG DENTAL (03) 9329 6276
info@borgdental.com.au



E U R U S

With a name inspired by the East Wind, which brought blessed rain to grain fields in ancient Greek mythology, Eurus embodies our belief of bringing highly innovative, reliable products to the world of dentistry.

COMPACT SPACE

Workspace

The overall length of the folding legrest chair and base mounted doctor table are significantly shorter than comparable units, making the Eurus perfectly suited to clinics with limited room, or simply to optimise space in every clinical setting.

The combination of the base-mount unit and the folding legrest chair gives dentists and assistants a more comfortable and ergonomically efficient operating space. Positioning the doctor table and the assistant holder tray behind the chair also eases patient anxiety, as they are not exposed to the dental instruments during their treatment. Meanwhile, the rotating function of the spittoon bowl ensures convenient access for every patient, including the elderly, as they rinse and gargle during and following their dental procedure. This positioning also allows for easy cleaning and maintenance of the unit.



Positioning the doctor table behind the chair enables assistants to prepare during consultations without distracting the dentist or the patient.



The cuspidor rotates 90° outwards, making it possible for assistants to stand at the 3 or 4 o'clock position. This allows for convenient access to support the dentist during a wide range of treatments.

LIGHT AS AIR

With an air braking system, the balance arm enhances mobility and flexibility during dental procedures, as the highly manoeuvrable and lightweight doctor table can be repositioned with the minimum of effort. This ensures complete convenience whilst helping to minimise operational fatigue.





SMOOTH, COMFORTABLE AND RELAXING

Chair

The advanced hydraulic chair mechanism ensures the smooth, quiet and efficient movement of every chair function. This allows the patient to be manoeuvred effortlessly into the most comfortable position to receive their treatment. Accommodating the unique age, height and stature of every patient, from small children to adults, the position of the new twin-axis headrest system can be fine-tuned in increments of 7.5 degrees for the ultimate in precision and comfort. Featuring new advancements in manoeuvrability, the headrest can also be height adjusted effortlessly by the dentist and assistant to ensure complete comfort for the patient.

When in its starting position, the chair's low height and 165kg load capacity ensure easy mounting and dismounting for children and elderly patients, and patients using a wheelchair. This feature enables ease of access to the patient for the dentist and dental assistant to examine the patient's dentition from a 6 o'clock position, whilst making the Eurus entirely suitable for orthodontic therapy.



Chair stick switch

The chair is easily controlled with the dentist's or dental assistant's foot for hands-free, hygienic operation.



Power headrest **Option**

The full 120mm stroke and the neck angle can be easily adjusted without imposing excessive strain on the patient. The motorised headrest can also be manoeuvred hands-free via the foot switches, which ensures complete hygiene and safety.

LOW TO HIGH

Arm Holder

Completely versatile and flexible to accommodate every treatment requirement, the table is held by a flexible arm which delivers a vertical range motion of 770mm to 900mm.



Handle - ideally suited for touch-panel operation
The handle is not only designed for an easy hold-and-move motion, it also provides an ideal resting position for the hand. This reduces stress and fatigue, and it facilitates reliable touch-panel operation.



Instrument holder's position
Designed to be independent from the table, the instrument holder can be freely adjusted via a three-axis adjustment mechanism to achieve the best working position for the dentist.



Hose guide
The smooth, frictionless motion of the roller frees the dentist and dental assistant from the weight of the hose when drawing out dental instruments. This simple, yet ingenious design minimises strain from a working process that is repeated frequently throughout the day.

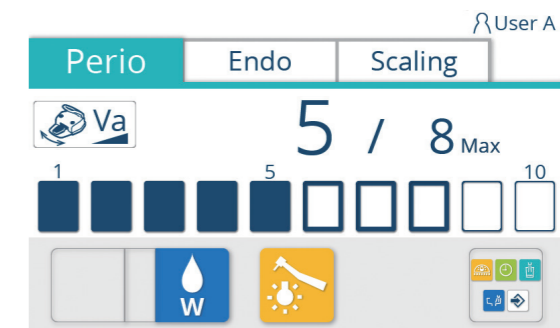
YOUR STYLE AT THE TOUCH OF A FINGER

Interface

Designed to improve efficiency and reduce stress during treatments, the screen only displays necessary information when a handpiece is selected and picked up. This allows the dentist to concentrate on the treatment at hand as well as the patient, without unnecessary distraction.



Motor
Configuring the screen for handpiece motors, which is capable of storing four different settings, allows for intuitive, seamless operation. RPM, torque and rotational direction can also be selected with a single touch of the screen.



Scaler
From the handpiece setting screen, the treatment modes i.e. periodontal, root canal and scaling, can be selected and stored with a single touch of the screen.



Sideways operation
A new slide foot controller allows for precision adjustment via sideways position motions and step-on activation. Maximum RPM can be set for the handpiece quickly and intuitively.

PROVIDING QUALITY

Cuspidor

The cuspidor has been expanded to offer larger capacity and easier access which, with the separator, ensures the highest levels of hygiene are maintained.



IMPROVED CLEANING PERFORMANCE

Cleanliness

Hygiene inside the chair unit is maintained by water line flushing, which means that patient-friendly treatments can be administered in complete safety and confidence. As an environmentally friendly option, the unit comes with a separator, or a separator with an amalgam collector, to reduce the need for everyday maintenance.



Autoclavable holder **Option**

The dentist outlets and the assistant outlets can both be autoclaved and detached for cleaning.

Suction line clean system **Option**

Daily use of the integrated suction cleaning system prevents build-up of debris in the suction line and helps to maintain constant suction.



Detachable light components **Option**

The lens cover and autoclavable light handles are effortlessly removed with a single lever action for easy cleaning.

Flushing system **Option**

The handpiece flushing system inhibits biofilm build up and bacterial growth in the handpieces hoses.

Water bottle **Option**

Clean water is easily accessible for handpieces and the cupfiller via a water bottle that's conveniently located and secured immediately under the doctor table.



LED Indicator **Option**

The unit features a safety indicator that displays the lock-status of the dental chair and handpieces in an easy-to-see way. This ensures the dentist and dental assistant quickly and easily understand the status of the unit.



Suction system

The unit provides effective and reliable suction that has been significantly increased by 185%. This system can also be adapted for twin suction, which proves useful for more intensive surgical procedures.

*Comparison of our conventional products under our conditions.

BRIGHT AND GENTLE

Lighting Fixture

Our lighting fixtures are designed to reproduce natural light with a high functional colour rendering capacity. The light's composite mode can be active, and the light can be turned on and off, via its touch-less sensor.



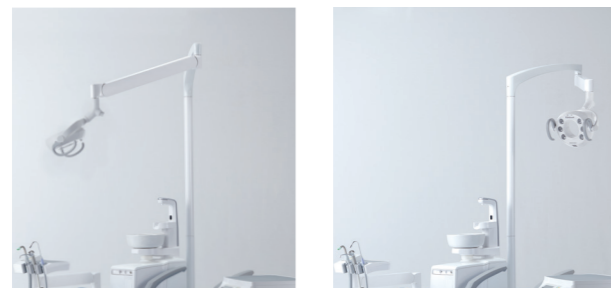
900 DENTAL LIGHT

The light output can be adjusted between 4,000 lx and 35,500 lx.



EURUS LIGHT

This next-generation LED lighting fixture, which conforms to ISO9680, is capable of emitting light with variable intensity from 5,000 lx to 34,000 lx.



Flexible lighting















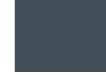








The Belmont spring arm allows the light to be moved around effortlessly and remain in the desired position, so that the dentist or dental assistant can begin treatments without delay. The arm spans a wide area, including the maxillary and mandibular areas of the patient, to ensure optimum illumination for every dental procedure.

COLOUR VARIATIONS








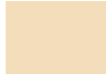
Colour coordination

The upholstery can be colour coordinated to suit the interior aspects and design of your dental clinic from four themes: Warm, Cool, Earth and Vitamin; and from three upholstery styles: seamless, seam and luxury.

[Seam & Seamless]

Warm Colour						
	Coral Pink / ES20	Light Pink / ES30	Beige / ES21	Camel / ES14	Bordeaux / ES12	Black / ES8
Cool Colour						
	Mint Blue / ES5	Indigo Blue / ES25	Light Blue / ES16	Purple / ES26	Light Gray / ES33	Gray Teal / ES28
Earth Colour						
	Rose / ES34	Mauve / ES27	Forest / ES31	Aldo Blue / ES23	Ash Gray / ES32	Chocolate / ES11
Vitamin Colour						
	Scarlet Red / ES24	Mandarin Orange / ES22	Lemon Yellow / ES2	Yellow Green / ES18	Sky Blue / ES7	Blue / ES29

[Luxury]

					
Black / SH1	Dark Blue / SH9	Maroon / SH7	England Green / SH18	Orange / SH22	Camel / SH10
					
Mustard Yellow / SH6	Ivory / SH15				

E U R U S

Select a Eurus unit that's best suited to the specific needs of your clinic and patients from a wide range of options.

Variations

Conceptualised by Belmont to capture essences of cleanliness, tenderness and supreme ergonomics, the Eurus Series presents a comprehensive range of stools, dental chair units and dentist tables to accommodate the individual requirements of you and your dental team as well as patients.

With a proud and distinguished heritage in the dental industry, Belmont prides itself on creating innovative products that are conceived through a deep understanding of the professional and treatment requirements of dentists and dental assistants, and the expectations of your patients. Our appreciation of established and emerging technical demands and dental procedures, and the anxiety experienced by many patients, are also reflected and inherent in every equipment concept to make the delivery of treatments, and a visit to the dentist, as pleasurable and comfortable as possible.



S6 Standard

- [Chair]
Folding Legrest Chair
- [Unit Mount Type]
Chair Mount Cuspidor & Base Mount Dr. Table
Chair Mount Cuspidor & Cart
- [Delivery Type]
Holder/Place
- [Light]
Unit Mount LED Light



S6 VacPac

- [Chair]
Folding Legrest Chair
- [Unit Mount Type]
VacPac & Base Mount Dr. Table
VacPac & Cart
- [Delivery Type]
Holder/Place
- [Light]
Unit Mount LED Light

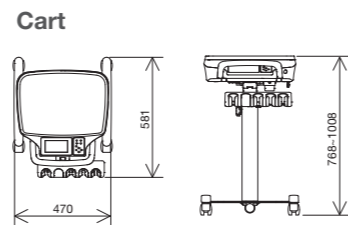
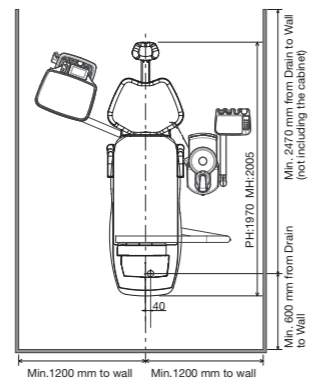
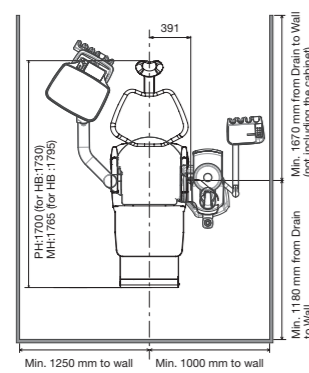
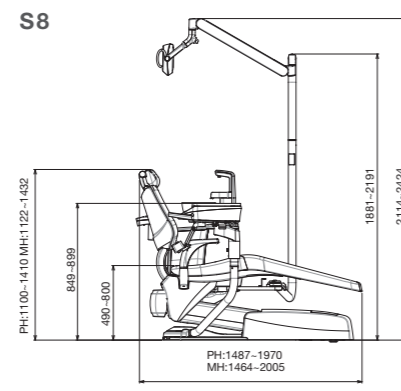
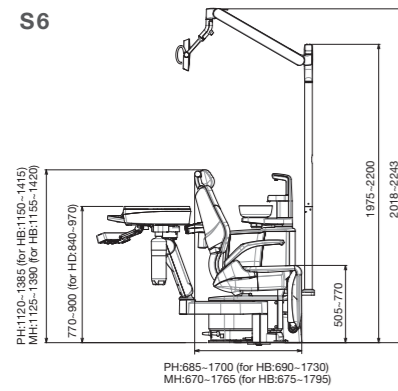
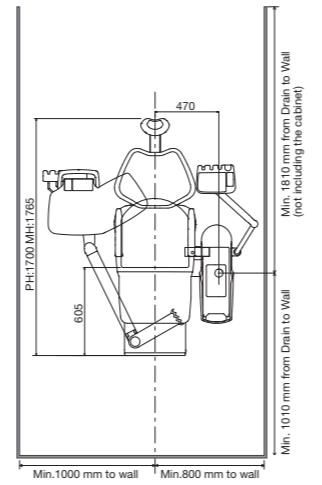
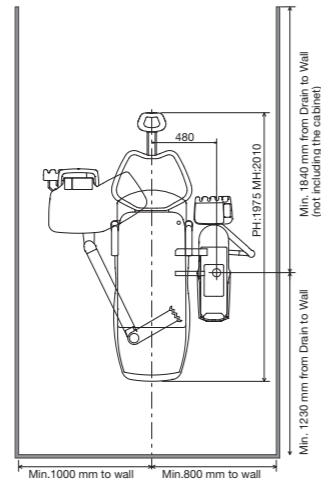
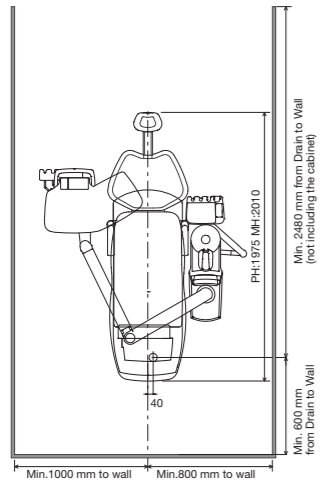
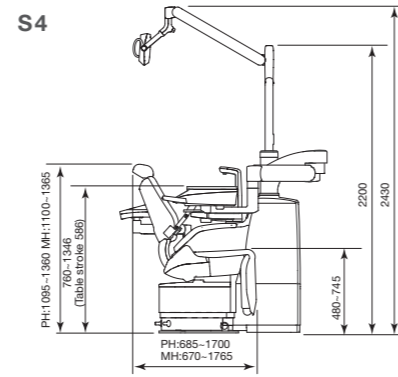
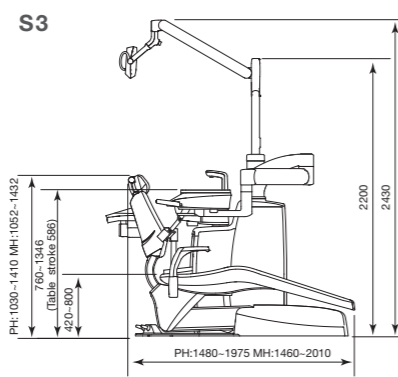
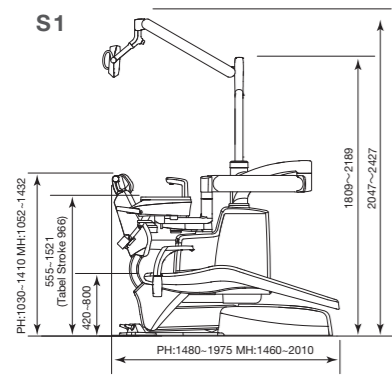


S6 Without Cuspidor

- [Chair]
Folding Legrest Chair
- [Unit Mount Type]
Base Mount Dr. Table
Cart
- [Delivery Type]
Holder/Place
- [Light]
Unit Mount LED Light



Dimensions



PH: Power Headrest | MH: Manual Headrest | HB: High Backrest spec. | HD: High Dr. Table spec.

EURUS Options & Accessories

EURUS Options & Accessories

● Standard | ● Optional | ⊗ Not available | HT Holder type only | BM Base mount type only | RT Rod type only | CT Cart type only | FC Foot Controller

Chair



Twin-axis headrest



Power headrest

Light



Patient mirror

Normal



Composite mode



Dentist Element



Holder type



Rod type



Place type



Cart (Holder type)

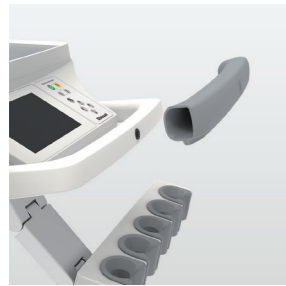


Table handle cover (Holder/Place type)



Table handle cover (Rod type)

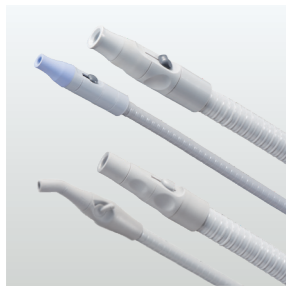


Syringe Belmont BT14 & 77



Wireless foot controller

Unit Body



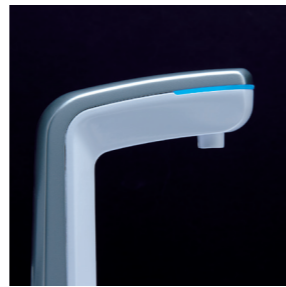
High-volume evacuator handpiece & Saliva ejector Belmont & Dürr



Twin suction (two solid correctors)



Sensored cupfiller



LED indicator



Separated junction box



Monitor bracket (not incl. monitor)



Suction line clean system



Flushing system (integrated type)

Chair	S1 & S3 Contour	S4 Folding legrest	S6 Folding legrest	S8 Contour
Twin-axis headrest	●	●	●	●
Power headrest	●	●	●	●
Armrest at left side only (fixed)	●	⊗	⊗	⊗
Armrest at both side, left side fixed & right side rotated	●	⊗	●	⊗
Armrest at both sides rotated	⊗	●	⊗	●
Integrated stick switch (1 control, manual chair switch or power headrest)	⊗	⊗	⊗	● / FC
Integrated stick switch (2 controls, manual & auto mode chair switch)	●	●	●	● / RT
Integrated stick switch (2 controls, manual chair switch & power headrest)	⊗	⊗	⊗	● / FC
Integrated stick switch (3 controls, manual & auto mode chair switch & power headrest)	●	●	●	● / RT
Upholstery seam type	●	●	●	●
Upholstery luxury seam type	●	●	●	●
Upholstery seamless type	●	●	●	●

Dentist Element	S1 & S3 & S4	S6 & S8
Touch panel screen, 5 inch	●	●
Protection sheet for touch panel	●	●
Table handle cover	●	●
Small table with silicone mat	● / CT, ● / exc. CT	● / BM & CT
Large table with silicone mat	● / exc. CT	● / BM
Sub-tray holder Small (size: 290 x 190 mm)	● / RT	● / RT
Sub-tray holder Large (size: 380 x 290 mm)	● / RT	● / RT
Silicone mat for Sub-tray (small/large)	● / RT	● / RT
Autoclavable holder outlet	● / HT	● / HT
3-way syringe	●	●
6-way syringe	●	●
Midwest 4 holes turbine hose	●	●
Midwest 4 holes turbine hose with fiber optic	●	●
Micromotor (air/electric)	●	●
Scaler (air/electric)	●	●
Water heater for handpiece	●	●
Foot controller (wired)	●	●
Foot controller (wireless)	●	●
Intra oral camera	●	●
USB port	●	●
Stainless waste receptacle & cotton container with stand/ vials x 5 pcs with stand	●	●
Intra oral film viewer	●	●
Panorama film viewer	●	●
Monitor bracket	⊗	● / BM
Curing light	●	●

Assistant Element	Standard	VacPac (S6&S8 only)
Standard type assistant arm	●	●
Ratchet gear type assistant arm	●	●
3-way syringe	●	●
High-volume evacuator & saliva ejector handpiece	●	●
Twin suction	●	●
Autoclavable holder outlet	●	⊗

Unit Body	Standard	VacPac (S6&S8 only)
Electric timed cupfiller & bowl flush	●	⊗
Sensored cupfiller & bowl flush	●	⊗
LED indicator	●	⊗
Rotating cuspidor bowl, porcelain	●	⊗
Water heater 24V	●	⊗
Water disinfection system	● / S1&S3&S4 only	⊗
Clean water system with water tank	●	● / Attached to Dr. side
Separator	●	⊗
Amalgam separator	●	⊗
Suction line clean system	● / S3&S4&S6&S8 only	⊗
Flushing system without flushing tray	●	●
Flushing system with flushing tray	●	⊗
Flushing system (integrated type)	● / S1&S3&S4 only	⊗
Monitor bracket	●	●
Service outlet for water / connector for water	●	⊗
Service outlet for air/ connector for air	●	⊗
Separated junction box	● / S1&S3&S8 only	●

Light	EURUS LIGHT	900 LED LIGHT
Autoclavable detachable light handle	●	●
Patient mirror	●	●

Stool	
EURUS stool for dentist	●
EURUS stool for assistant	●