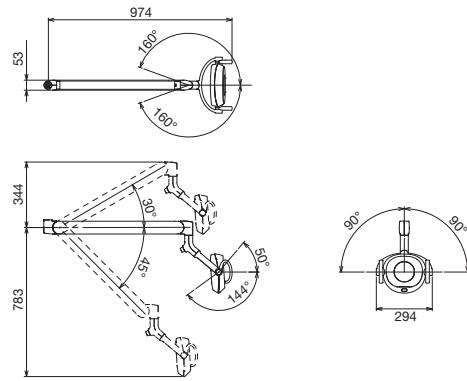


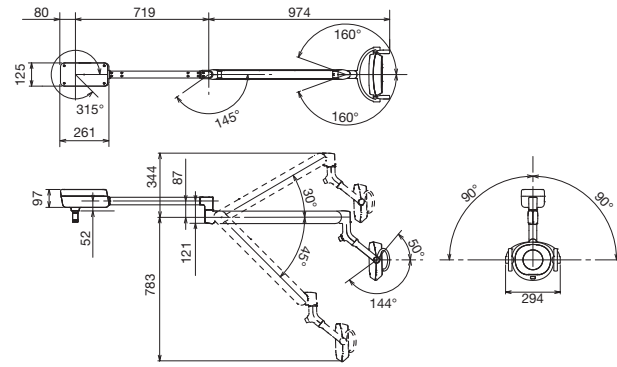
# Dimensions

Unit : mm  
Tolerance in dimensions : ±10%

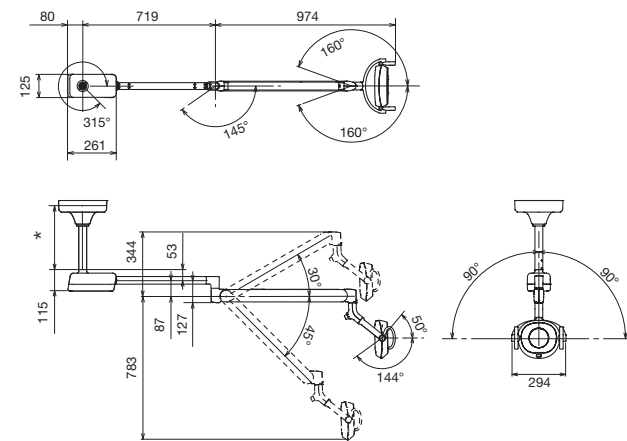
## ■ Unit Mount (AL-D109W)



## ■ Post Mount (AL-D101W)

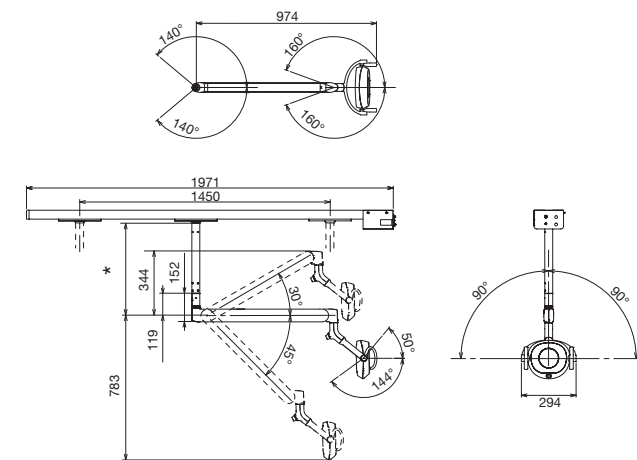


## ■ Ceiling Mount (AL-D102W)



\*Select suspension tube length based upon ceiling height.

## ■ Track Mount (AL-D105W)



\*Select suspension tube length based upon ceiling height.



# EURUS LIGHT



# Brightly & Gently

EURUS LIGHT—the next-generation LED lighting fixture (conforming to ISO9680), capable of giving off light with variable intensity from 5,000 to 34,000 luxes, reproduces natural light with a high functional color rendering capacity. With the touchless sensor, the light can be turned on and off and the composite mode can be adjusted.



## Installation Variations



AL-D109W Unit Mount



AL-D101W Post Mount



AL-D102W Ceiling Mount



AL-D105W Track Mount



### Flexible lighting

The Belmont spring arm allows the light to be moved around and stay exactly where it is desired so that the dentist/dental assistant can start treatment without delay. The arm covers a wide area, including the maxillary and mandibular areas of the patient, for sufficient illumination.



### Stay clean

The lens cover can be removed with a single lever action for easy cleaning.

## Specifications

Rated voltage .....DC 19 V  
 Rated input..... 1.3 A  
 Operation mode .....Continuous operation  
 Light source .....6 LED lamps  
 Optical performance.....Standard irradiation distance: 650 mm



■ In treatment mode  
 Central illuminance: 5,000–34,000 lx  
 Correlated color temperature: 5,000 K



■ In Composite Safe mode  
 (Compliant with ISO 9680: 2014 5.2.10)  
 Central illuminance: 11,000 lx  
 Correlated color temperature: 2,700 K

Illuminance pattern .....Pattern dimensions (length x width): 85 x 155 mm  
 Color rendering index .....More than 90

## Options



Patient mirror