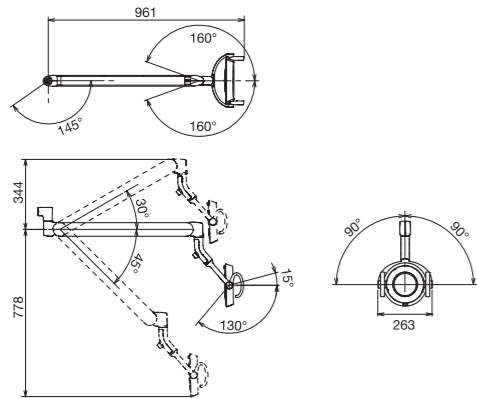


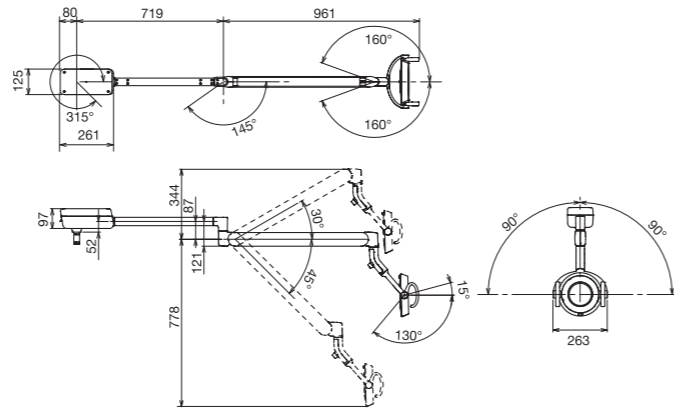
Dimensions

Unit : mm
Tolerance in dimensions : ±10%

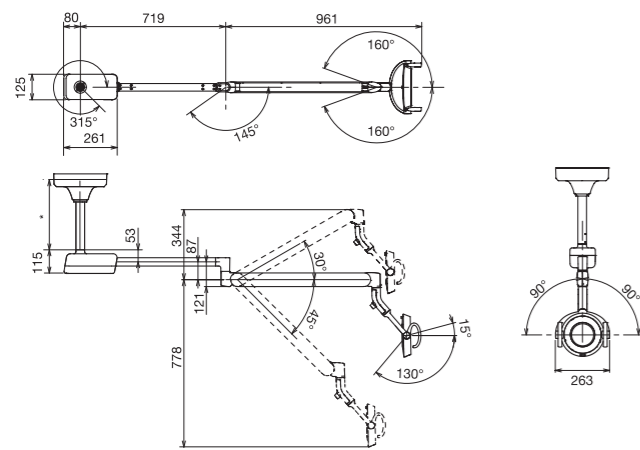
■ Unit Mount



■ Post Mount

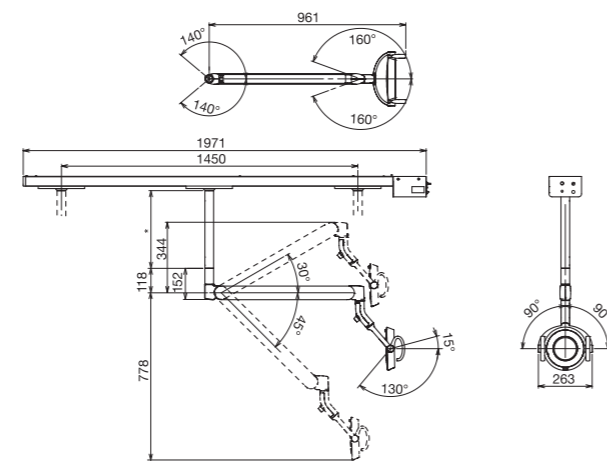


■ Ceiling Mount



*Select suspension tube length based upon ceiling height.

■ Track Mount



*Select suspension tube length based upon ceiling height.



DENTAL LIGHT 900



LIGHT UP BRILLIANTLY

New 900 DENTAL LIGHT provides variable intensity up to 39,000 luxes with rectangular light pattern and is bright enough to operate in the latest treatment styles.

It is easy to be turned on and off by the touchless sensor, and the composite safe mode can be active as well.



Treatment Mode

Central illuminance: 5,500-39,000 lx
Correlated color temperature: 5,000 K



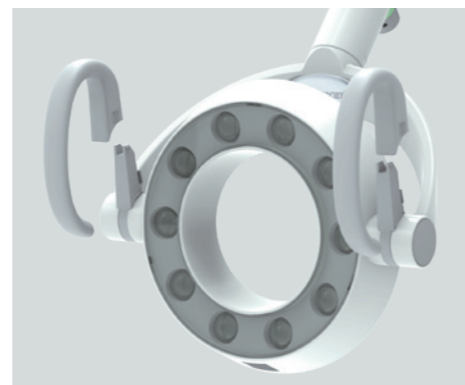
Composite Safe Mode

(Compliant with ISO 9680: 2014 5.2.10)
Central illuminance: 7,500 lx
Correlated color temperature: 2,800 K



Flexible Lighting

The Belmont spring arm allows the dentist and the dental assistant to move the light and set it in the desired position with ease enabling smooth treatment.



Detachable Light Components

The autoclavable light handles are effortlessly removed with a single lever action for easy cleaning.

Installation Variations



Unit Mount



Post Mount



Ceiling Mount



Track Mount

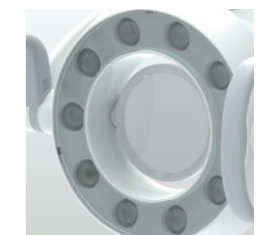
Specifications

Rated voltageAC100-240 V 50/60 Hz (Unit Mount: DC 25 V)
Rated input.....0.30-0.15 A (Unit Mount: 0.55 A)
*The rated input depends on the mount type.
Operation modeContinuous operation
Light source10 LED lamps
Optical performanceStandard irradiation distance: 650 mm

- In treatment mode (8 LEDs)
Central illuminance: 5,500-39,000 lx
Correlated color temperature: 5,000 K
- In composite safe mode (2 LEDs)
(Compliant with ISO 9680: 2014 5.2.10)
Central illuminance: 7,500 lx
Correlated color temperature: 2,800 K

 Illuminance patternPattern dimensions (length x width): 100 x 170 mm
Color rendering index ...More than 90

Options



Patient Mirror