

URBANE  
by boori

# Sunshine

---

Cot bed



**IMPORTANT:**  
PLEASE READ THE INSTRUCTIONS CAREFULLY  
AND KEEP FOR FUTURE REFERENCE



**IMPORTANT: THE ASSEMBLY OF THIS PRODUCT REQUIRES TWO PEOPLE  
READ ALL INSTRUCTIONS BEFORE ASSEMBLY AND USE OF THE PRODUCT.**

Boori Australia Pty Ltd  
18-20 Charles Street  
St. Marys Sydney NSW  
2760 Australia  
Ph: 61 2 9833 3769  
Fax: 61 2 9673 4240  
www.boori.com.au

Boori (Europe) Ltd  
Unit 1, Transigo  
Gables Way  
Thatcham, Berkshire,  
RG19 4JZ  
Ph: (44) 016 3529 5670  
Fax: (44) 016 3587 7552  
www.boori.co.uk

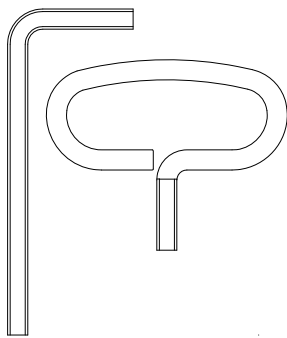
Halim & Boori Company 10F.  
Halim INT'L B/D, #1674-4,  
Seocho-Dong, Seocho-Gu,  
Seoul, Korea  
Tel: +82-2-598-1470  
Fax: +82-2-583-8885  
E-mail : ted@boori.co.kr  
Postal code: 137-725.

ブーリジャパン(株)  
〒541-0057  
大阪府大阪市中央区北久宝寺町  
4-2-10  
Ph : 06-4963-3939  
Fax : 06-4963-3900  
E-mail : info@boori.co.jp

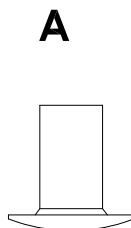
## Instructions for Sunshine Cot bed(U-SUCB)

### Hardware and Parts List

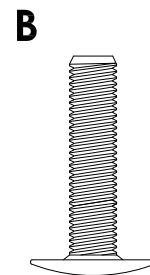
2 x Allen Keys



4 x  
Capping  
nuts

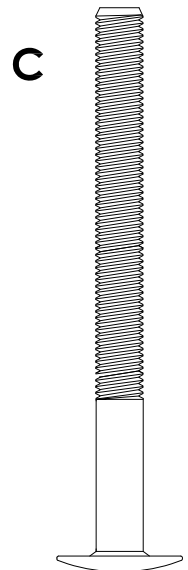


8 x  
23mm  
Connecting  
bolts



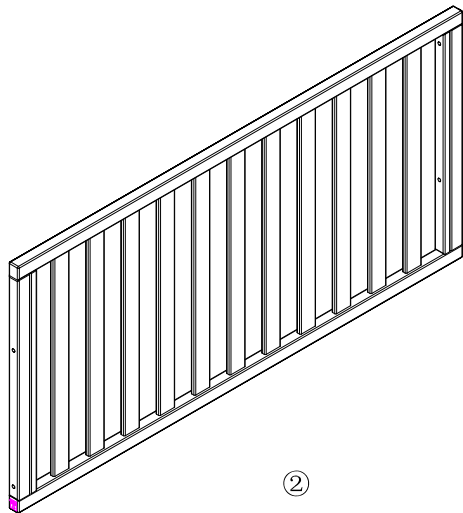
Actual size

12 x  
70mm  
Connecting  
bolts

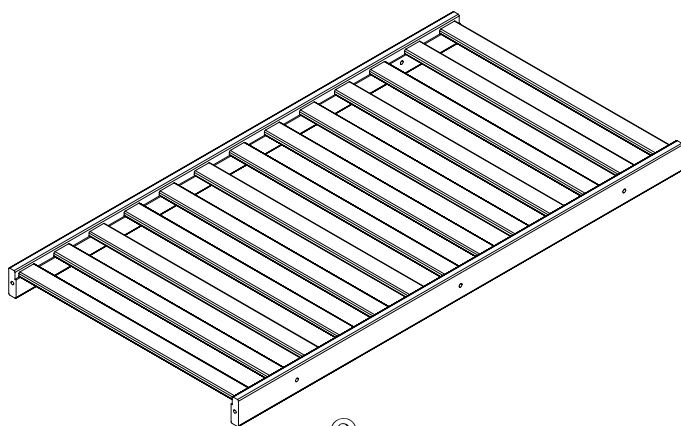


Actual size

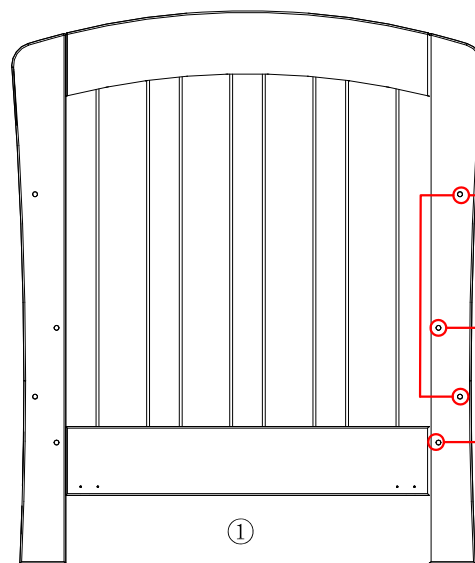
**NOTE:** Use only spare parts approved by the manufacturer.



②  
2 x Fixed Side Panels



③  
1 x Base



①  
2 x End Panels (Identical)

○ Connecting Bolts Holes

○ Top Hole  
high base position  
(For newborn)

○ Bottom Hole  
low base position  
(For baby)

# Assembly Instructions

## Step 1: Attach one Fixed Side Panel

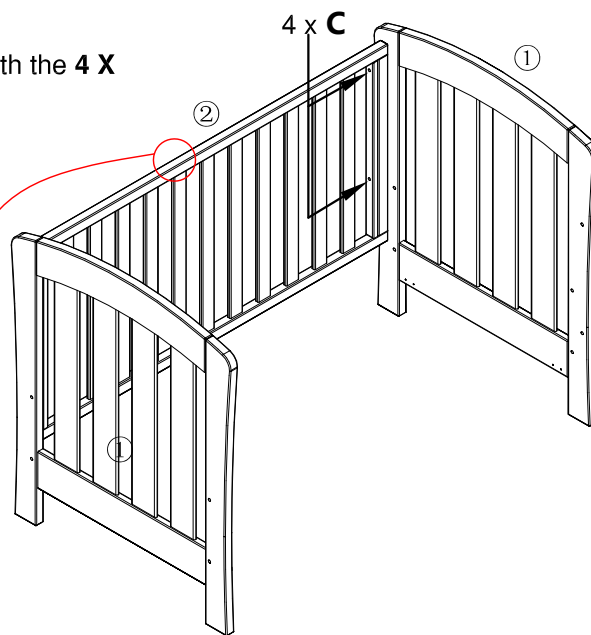
**A:** Connect one **Fixed Side Panel** ② to the two **End Panels** ① with the **4 X C** (70mm) connecting bolts provided. (Do not tighten at this step).

**NOTE:** THIS SIDE FACING DOWN WHEN USE AS A COT.

Label I

**Fixed Side Panel**

C x 4



## Step 2: Attach the Base

**A:** Connect **Base** ③ to the two **End Panels** ① with the **4 X C** connecting bolts provided. Then cover bottom holes with **4 X (A+B)**. (Do not tighten at this step).

A x 4 B x 4 C x 4

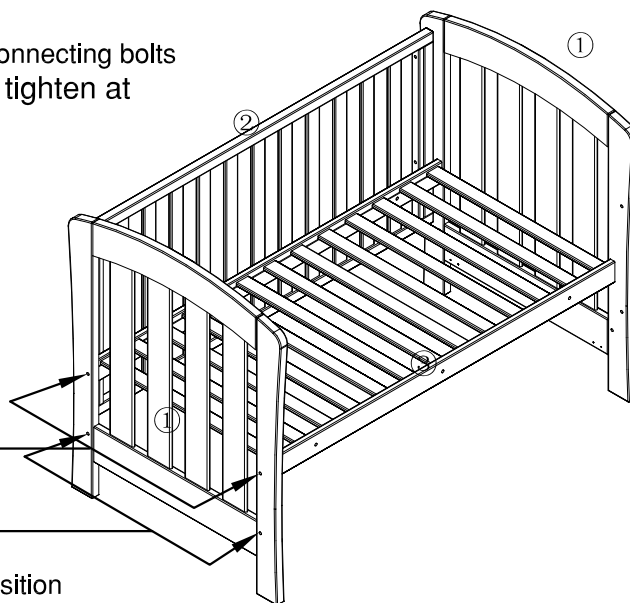


4 x C  
Top holes for the newborn position.

4 x (A+B)

Bottom holes for baby position.

⚠ Base should be lowered to this position before the child can sit up.



## Step 3: Attach the other Fixed Side Panel

**A:** Connect the other **Fixed Side Panel** ② to the two **End Panels** ① with the **4 X C** connecting bolts provided.

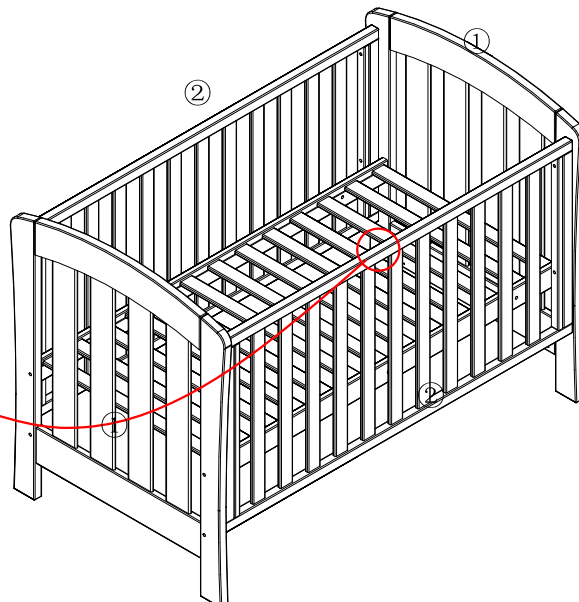
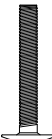
**B:** Tighten all connecting bolts in **Base and Fixed Side Panels**.

**NOTE:** THIS SIDE FACING DOWN WHEN USE AS A COT.

Label I

**Fixed Side Panel**

C x 4



## Assembly Instructions

### Step 4: Lower the Base height

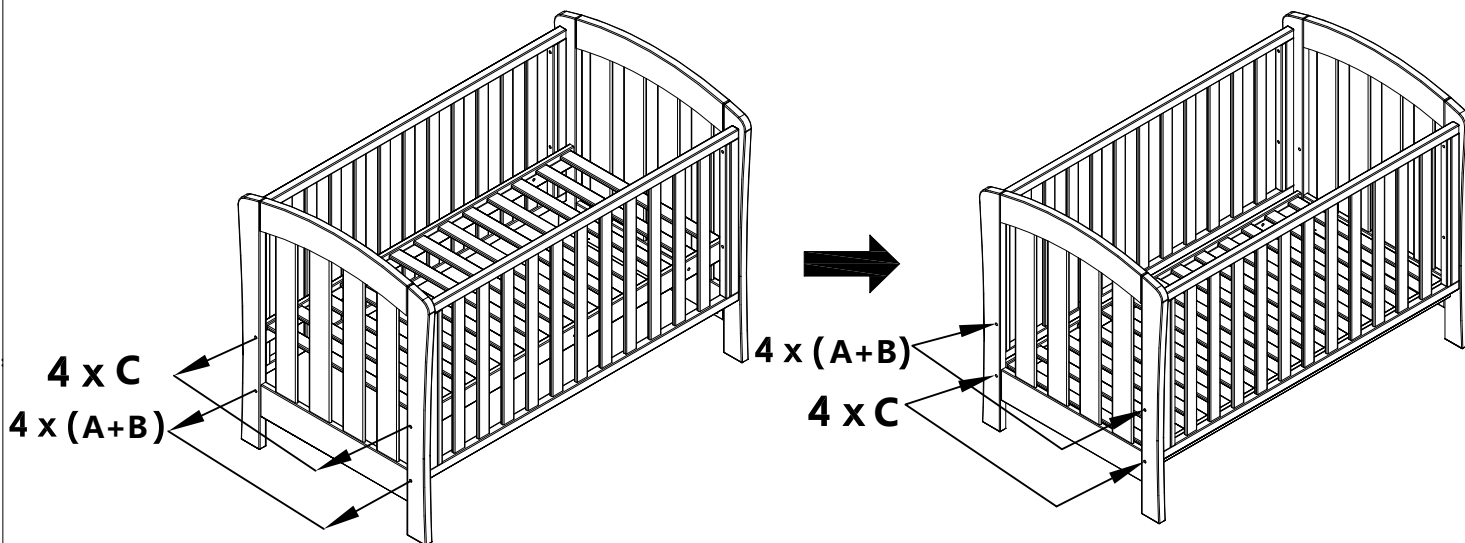
Remove 4 X(A+B) from bottom holes in End Panels.


Loosen 8 X C connecting bolts in Fixed Side Panels. Then remove 4 X C connecting bolts in Base and lower Base to baby position.

Screw 4 X C into Base's Bottom Position Holes.

Screw 4 X(A+B) into End Panels' Top Position Holes.

Tighten all the connecting bolts.



 Base should be lowered to this position before the child can sit up.

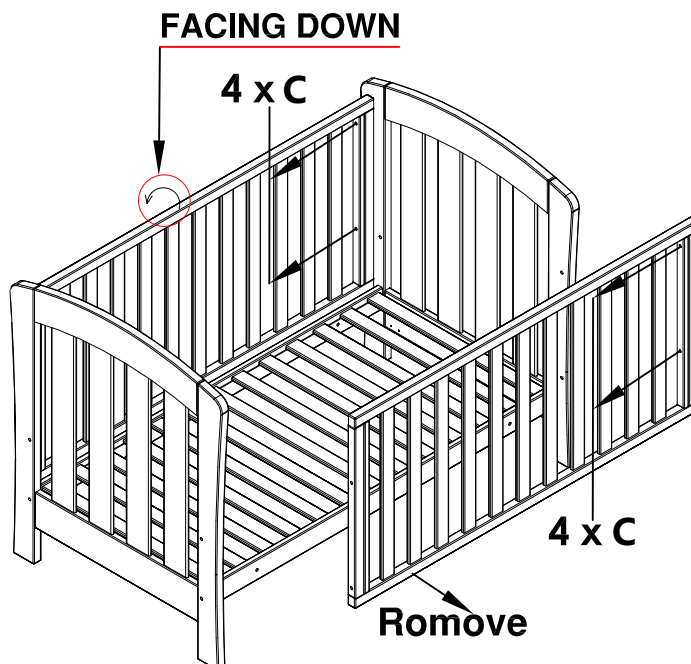
## Convert your Cot to Cot bed

### Step 1:

**A:** Reposition the Base to Bottom Holes' position assemble.

**B:** Remove 4 X C in one Fixed Side Panel, Loosen 4 X C in Base, then pull End Panels apart and remove the Fixed Side Panel.

**C:** Remove 4 X C in the other Fixed Side Panel, Turn the Fixed Side Panel around and reassemble.



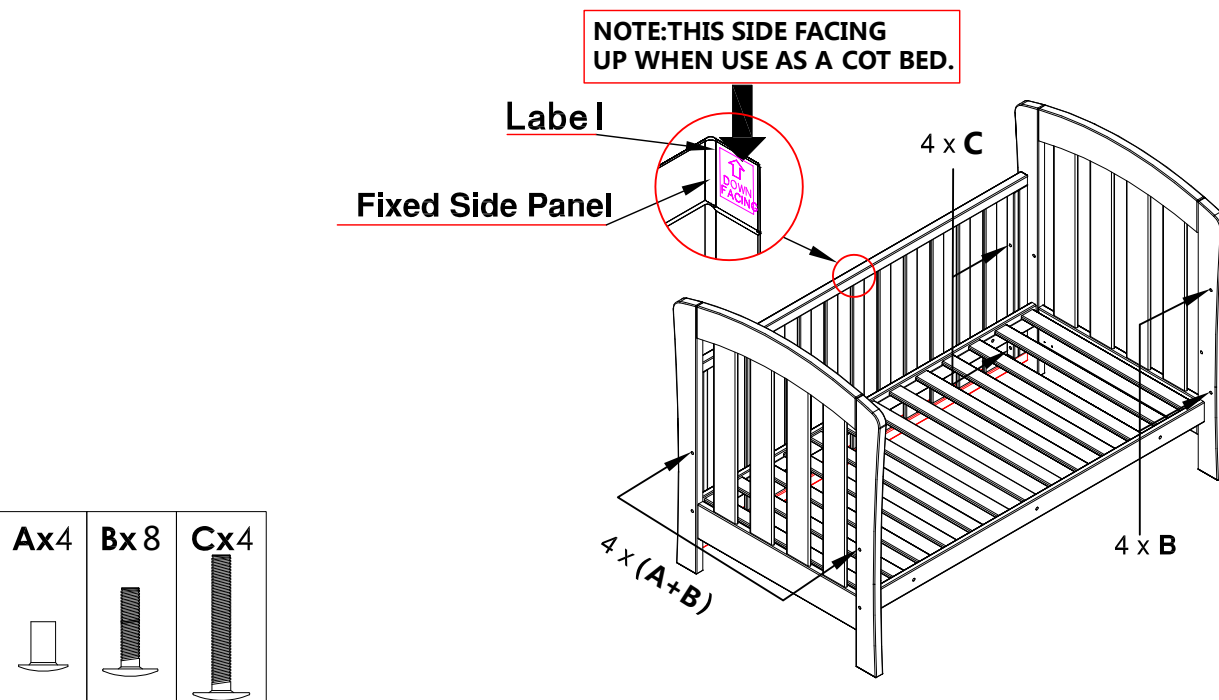
# Assembly Instructions

## Step 2:

**A:** Connect **Fixed Side Panel** to the two **End Panels** with the **4 X C** connecting bolts.

**B:** Block the remaining holes with **4 x B** connecting bolts, **4 x (A+B)** in **End Panels** as shown.

**C:** Tighten all the connecting bolts.



## Convert your Cot to Toddler Bed

The Toddler Bed Conversion, item

**B-TGP (Universal Toddler guard panel)**

is sold separately and available in matching finish.

Please contact your Boori dealer for more information.

