

URBANE  
by boori

# Sleigh

---

## 3 Drawer Chest



**IMPORTANT:**  
PLEASE READ THE INSTRUCTIONS CAREFULLY  
AND KEEP FOR FUTURE REFERENCE



**IMPORTANT: THE ASSEMBLY OF THIS PRODUCT REQUIRES TWO PEOPLE  
READ ALL INSTRUCTIONS BEFORE ASSEMBLY AND USE OF THE PRODUCT.**

Boori Australia Pty Ltd  
18-20 Charles Street  
St. Marys Sydney NSW  
2760 Australia  
Ph: 61 2 9833 3769  
Fax: 61 2 9673 4240  
www.boori.com.au

Boori (UK) Ltd  
Unit 1, Transigo  
Gables Way  
Thatcham  
RG19 4ZA  
Ph: (44) 016 3529 5670  
Fax: (44) 016 3587 7552  
www.boori.co.uk

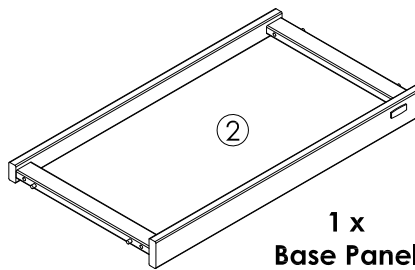
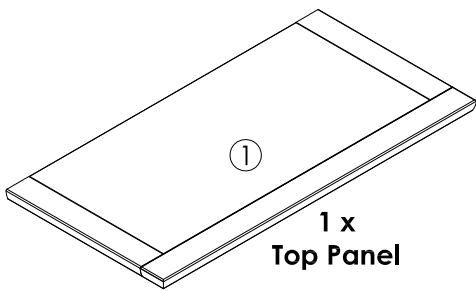
Halim & Boori Company 10F.  
Halim INT'L B/D, #1674-4,  
Seocho-Dong, Seocho-Gu,  
Seoul, Korea  
Tel: +82-2-598-1470  
Fax: +82-2-583-8885  
E-mail : ted@boori.co.kr  
Postal code: 137-725.

ブーリジャパン(株)  
〒541-0057  
大阪府大阪市中央区北久宝寺町  
4-2-10  
Ph : 06-4963-3939  
Fax : 06-4963-3900  
E-mail : info@boori.co.jp

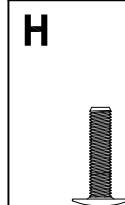
## Instructions for Boori Urbane Sleigh 3 drawer chest (U-SL3DC)

### Hardware and Parts List

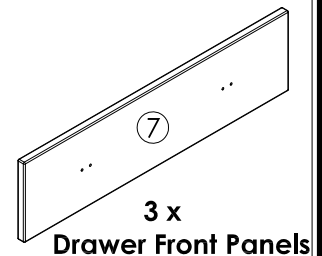
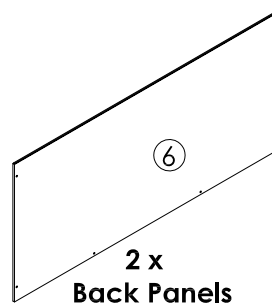
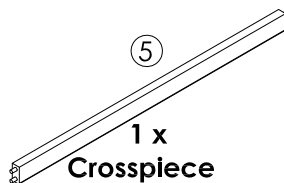
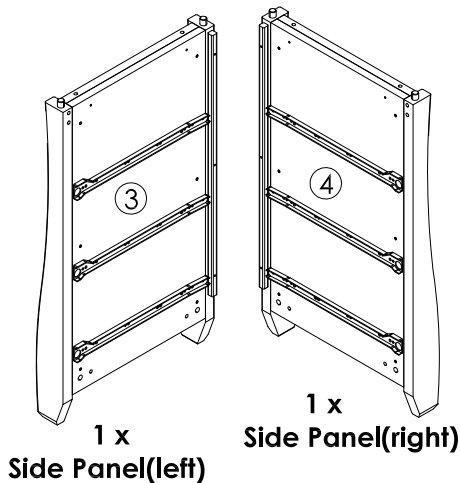
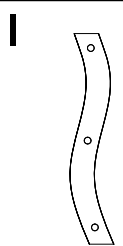
1 x Allen Key	12 X Connecting bolts	12 X Excenter fittings	12 X 30mm Connecting bolts	12 X 30mm Self tapping screws	12 x 16mm Self tapping screws	4 X 60mm Connecting bolts	4 X 80mm Connecting bolts
	<b>A</b>	<b>B</b>	<b>C</b>	<b>D</b>	<b>E</b>	<b>F</b>	<b>G</b>



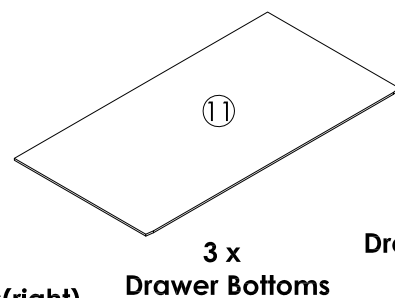
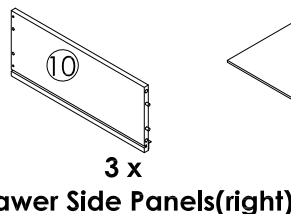
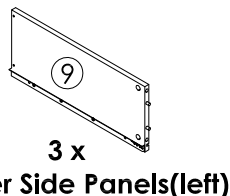
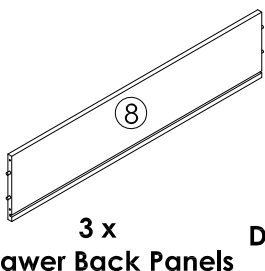
**1 x 16mm Connecting bolts**



**1 x Wall strap**



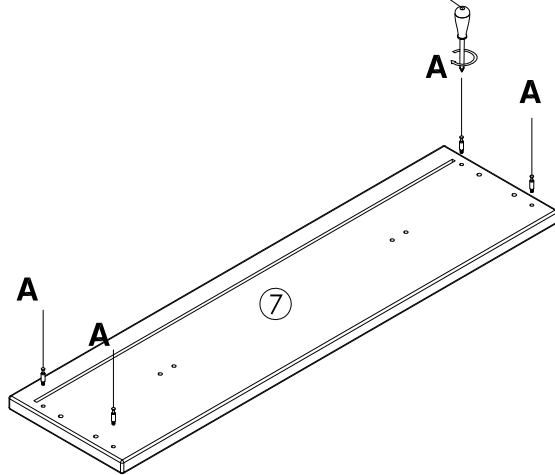
**NOTE:**  
Use only spare parts approved by the manufacturer.



# ASSEMBLY INSTRUCTIONS

## Step 1: Screws into the Drawer Panel.

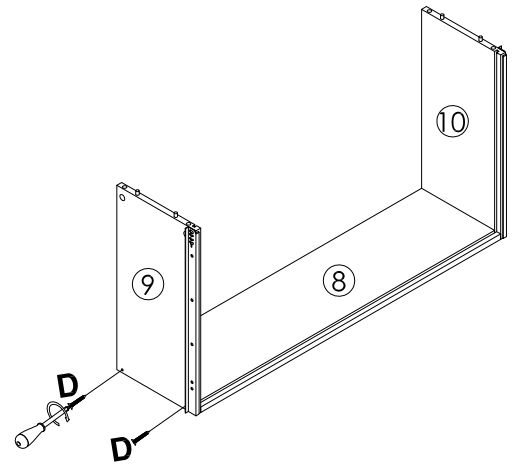
(Not supplied)



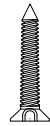
A X 12



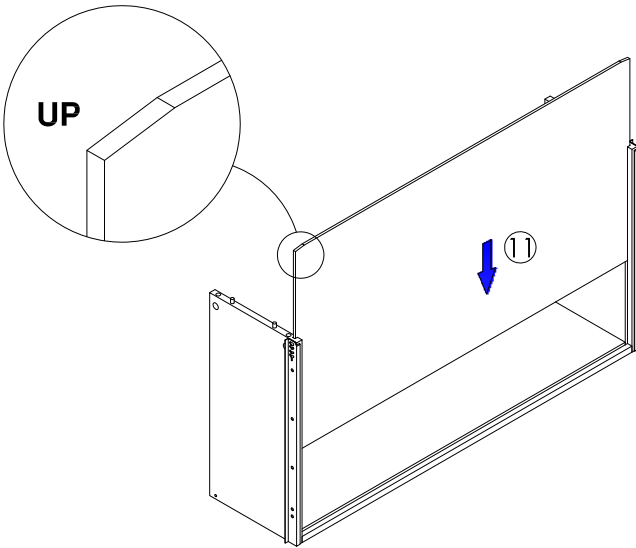
## Step 2: Attach the Drawer Back Panel and Side Panels.



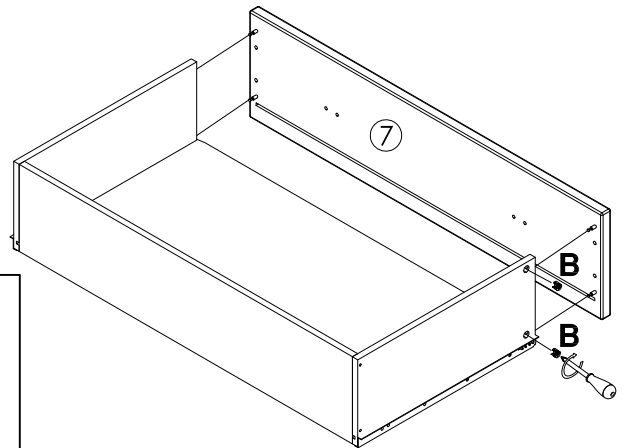
D X 12



## Step 3: Insert the Drawer Bottom.



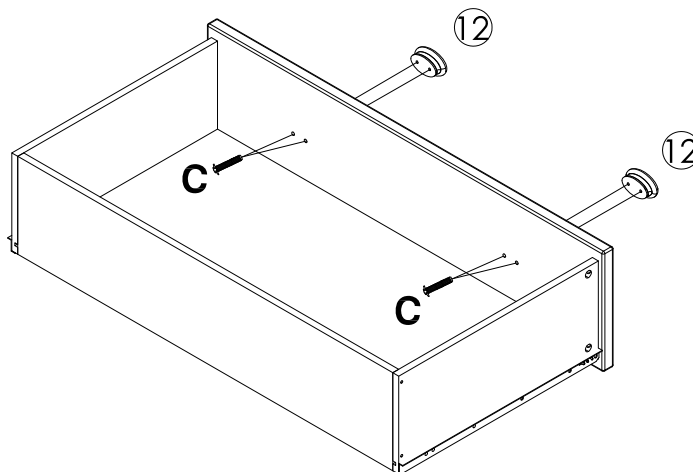
## Step 4: Attach the Drawer Panel.



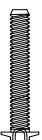
B X 12



## Step 5: Attach the Handles.



C X 12

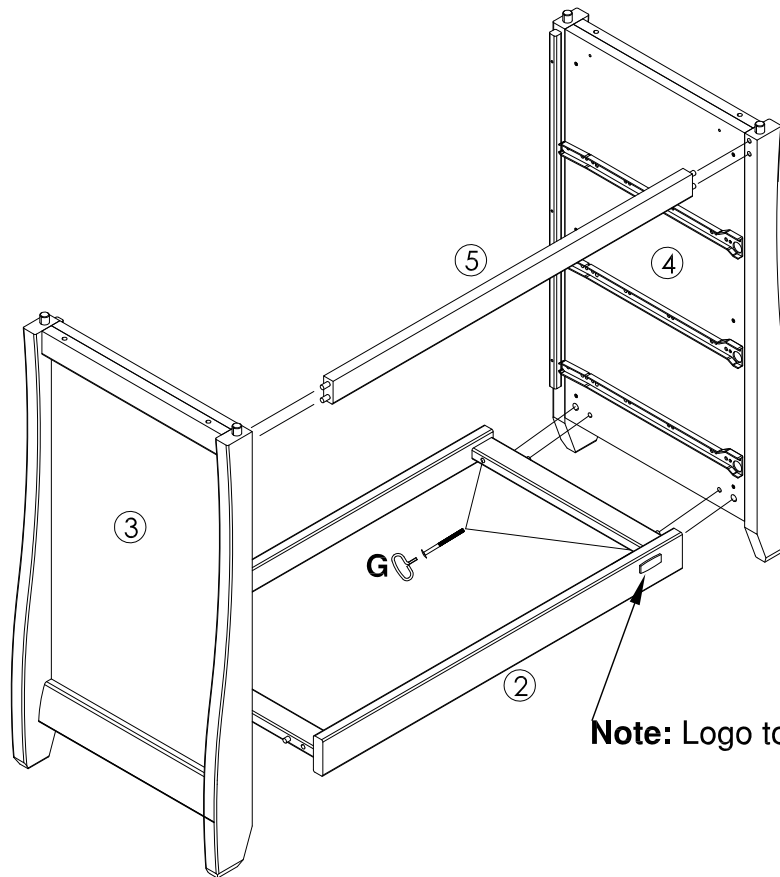


**⚠ Assemble the other two Drawers in the same way.**

# ASSEMBLY INSTRUCTIONS

## Step 6: Attach the Side Panel and Base Panel.

- First, connect the base panel ② to side panels ③④ with 4 × G screws (Do not tighten). Then, place the crosspiece ⑤ above the two side panels ③④. Fasten the screws on the base panel ② (Do not overtighten).

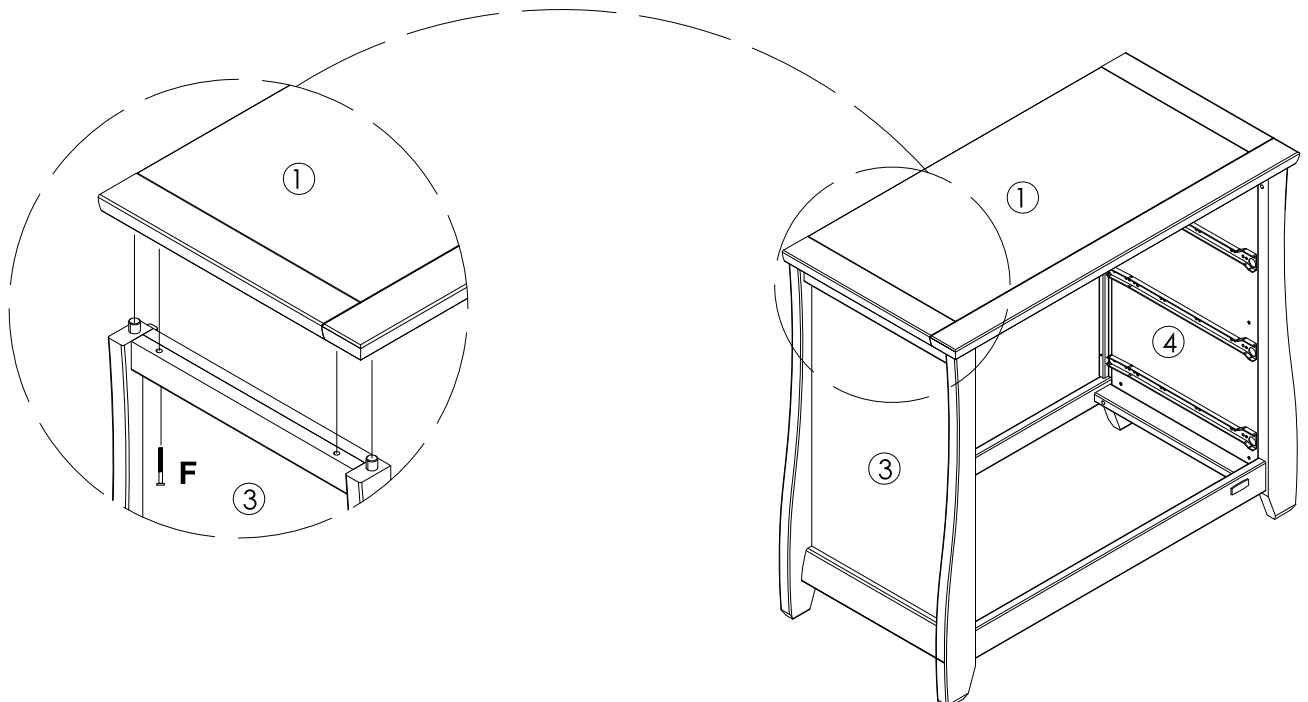


G X 4



Note: Logo to show here.

## Step 7: Attach the Top Panel.

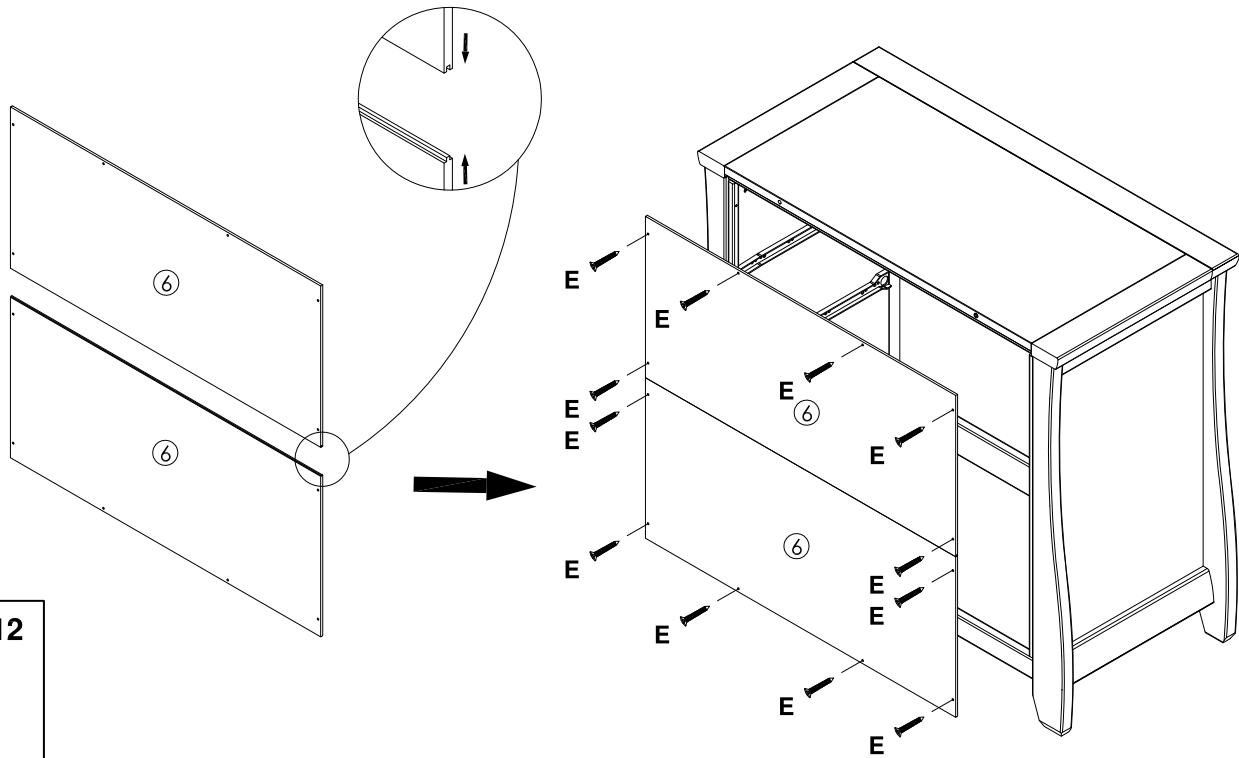


F X 4

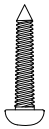


# ASSEMBLY INSTRUCTIONS

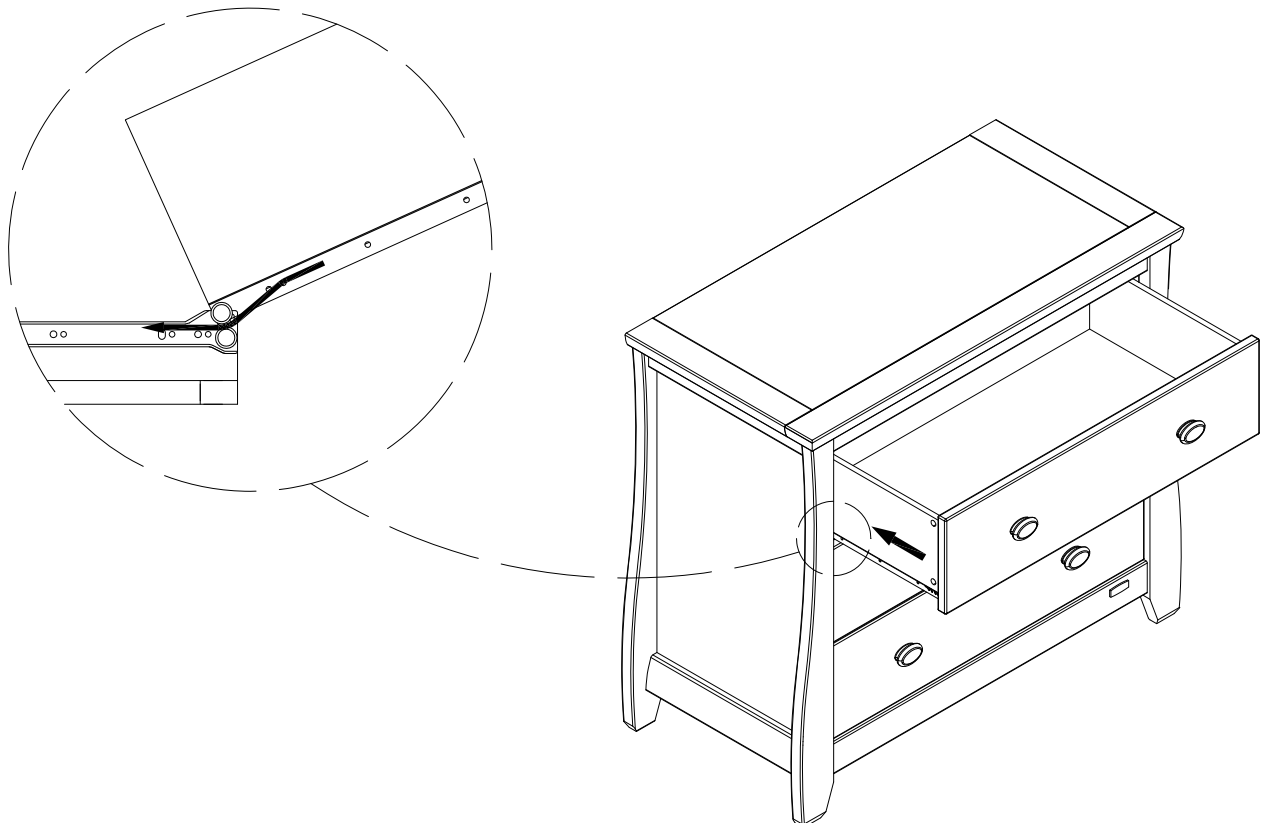
## Step 8: Attach the Back Panels.



EX 12



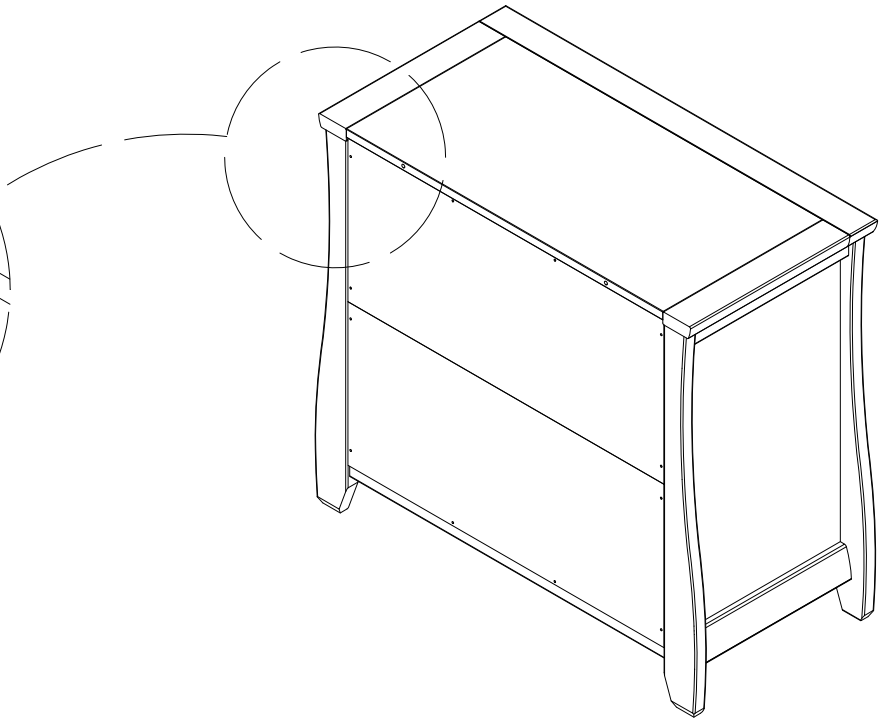
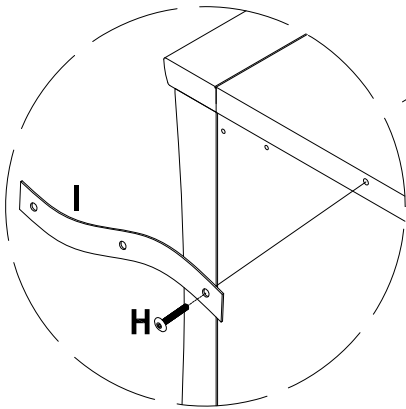
## Step 9: Insert Drawers into the chest.



⚠ Insert the other two Drawers.

# ASSEMBLY INSTRUCTIONS

**Step 10: Attach wall Strap.**



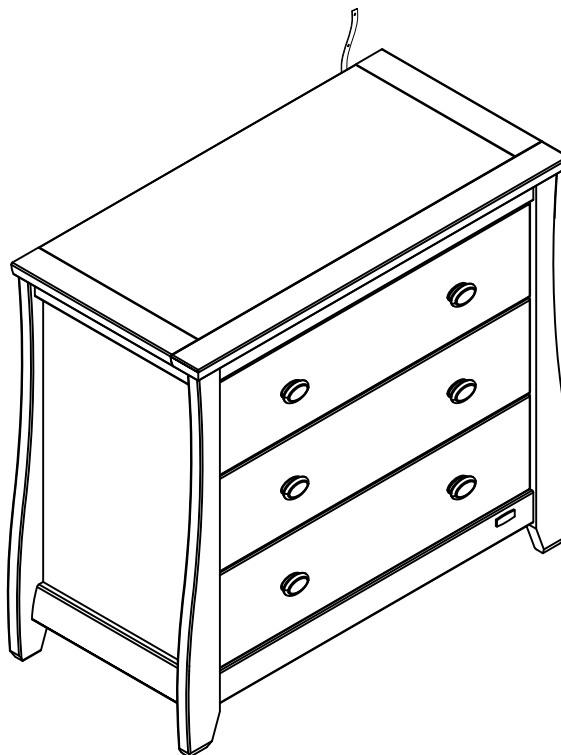
**H X 1**



**I X 1**



**Step 11: Fix to the wall.**



**⚠ Place the assembled furniture adjacent to the wall and fix to the wall using the appropriate screw for that wall type. If you are in any doubt about the correct type of fittings to use, Please seek professional advice.**

## **Maintenance of your Boori Urbane Furniture**

- \* TO CLEAN YOUR FURNITURE USE A SOFT CLOTH DAMPENED WITH WATER
- \* DO NOT USE STRONG HOUSEHOLD CLEANERS
- \* AVOID CONTACT WITH SHARP OBJECTS
- \* WHEN MOVING YOUR FURNITURE DO NOT DRAG, ALWAYS LIFT AND PLACE IN POSITION