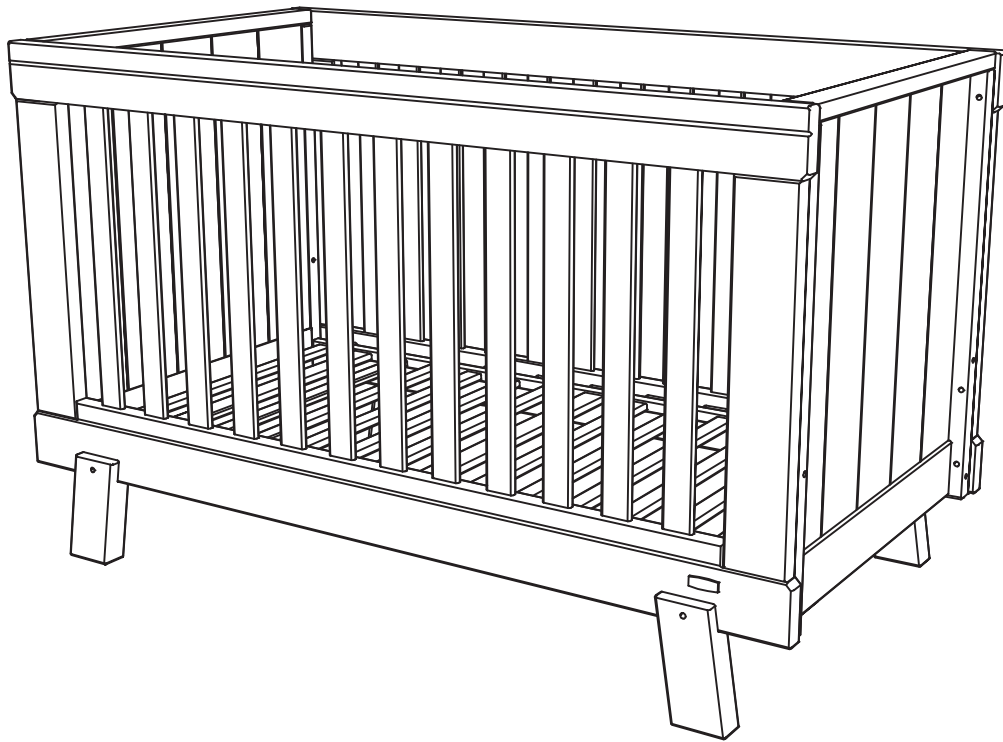


URBANE
by boori

Lucia

Convertible Plus™ Cot bed



IMPORTANT:
PLEASE READ THE INSTRUCTIONS CAREFULLY
AND KEEP FOR FUTURE REFERENCE



**IMPORTANT: THE ASSEMBLY OF THIS PRODUCT REQUIRES TWO PEOPLE
READ ALL INSTRUCTIONS BEFORE ASSEMBLY AND USE OF THE PRODUCT.**

Boori Australia Pty Ltd
18-20 Charles Street
St. Marys Sydney NSW
2760 Australia
Ph: 61 2 9833 3769
Fax: 61 2 9673 4240
www.boori.com.au

Boori (Europe) Ltd
Unit 1, Transigo
Gables Way
Thatcham, Berkshire,
RG19 4JZ
Ph: (44) 016 3529 5670
Fax: (44) 016 3587 7552
www.boori.co.uk

Halim & Boori Company
10F. Halim INT'L B/D, #1674-4,
Seocho-Dong, Seocho-Gu,
Seoul, Korea
Tel: +82-2-598-1470
Fax: +82-2-583-8885
E-mail : ted@boori.co.kr
Postal code: 137-725.

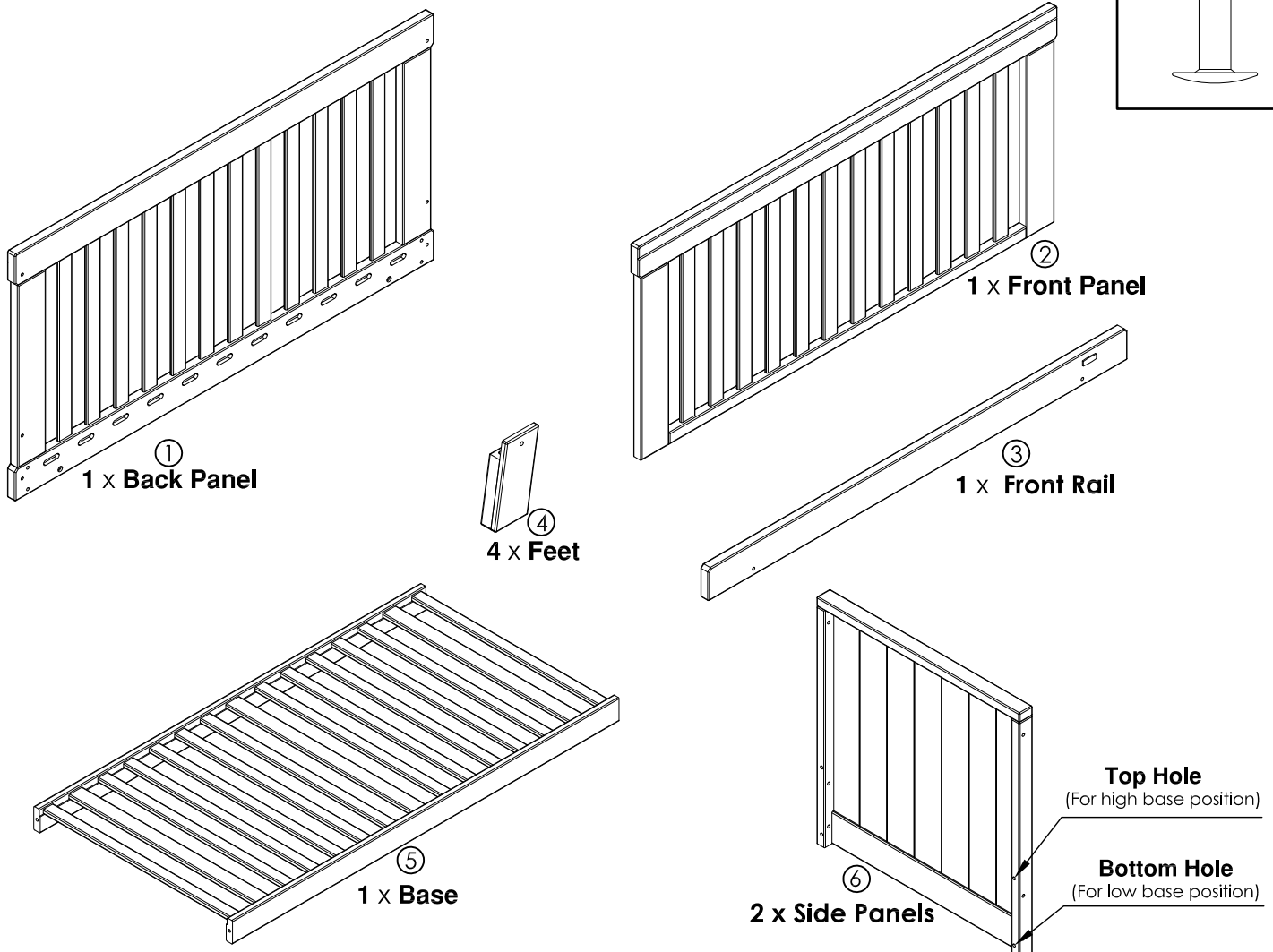
ブーリジャパン(株)
〒541-0057
大阪府大阪市中央区北久宝寺町
4-2-10
Ph : 06-4963-3939
Fax : 06-4963-3900
E-mail : info@boori.co.jp

Instructions for Lucia Convertible Plus™ Cot bed (U-LUCP)

Hardware and Parts List

2 x Allen Keys	16 x 14mm Capping nuts	12 x 23mm Connecting bolts	4 x 28mm Connecting bolts	4 x 40mm Connecting bolts	12 x 47mm Connecting bolts	4 x 80mm Connecting bolts
A 	B 	C 	D 	E 	F 	G

NOTE: Use only spare parts approved by the manufacturer.



ASSEMBLY AS A CRIB

Step 1: Connect 2 x **Side Panels** ⑥ to the **Base** ⑤ with the 4 x **G** connecting bolts provided.

Note: **Top Hole** high base position is for newborn.

Bottom Hole low base position is for baby.

⚠ Adjust to **Bottom Hole** low base position before child is able to sit up.

Side Panel

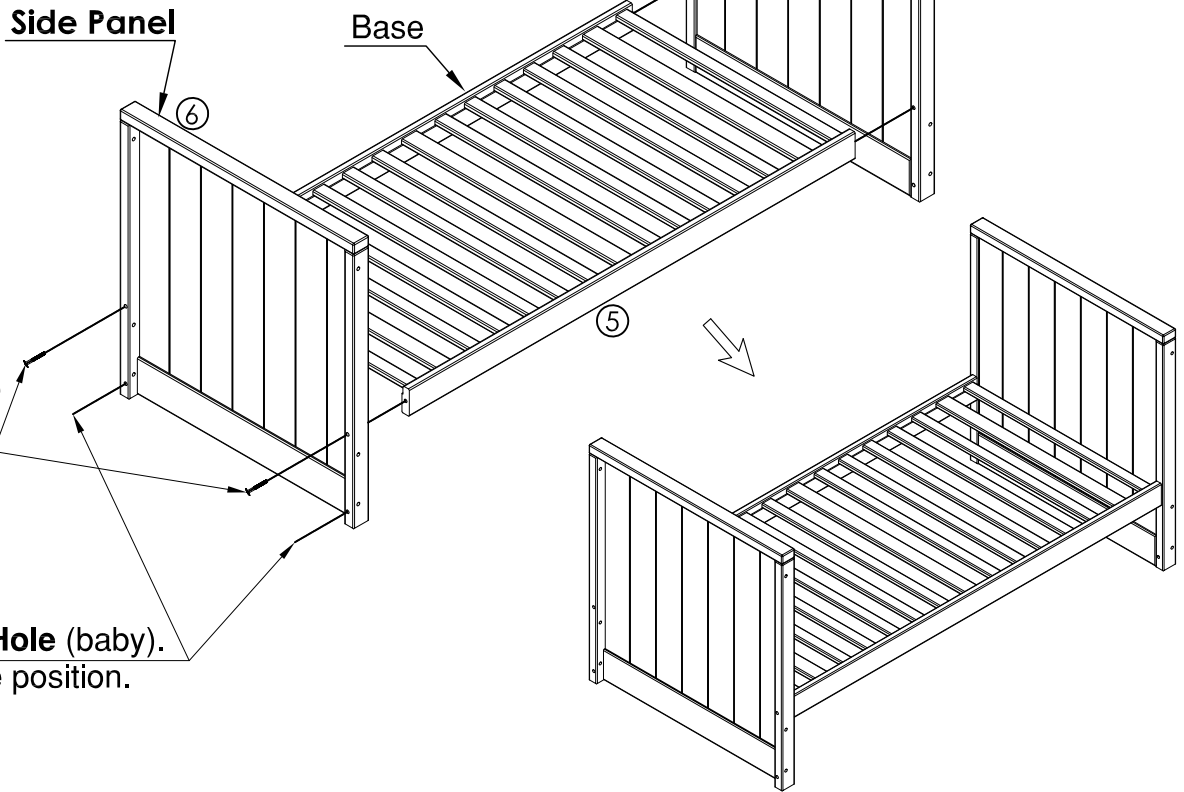
Base

Top Hole (newborn)
High base position.

4 x **G**

Bottom Hole (baby).
Low base position.

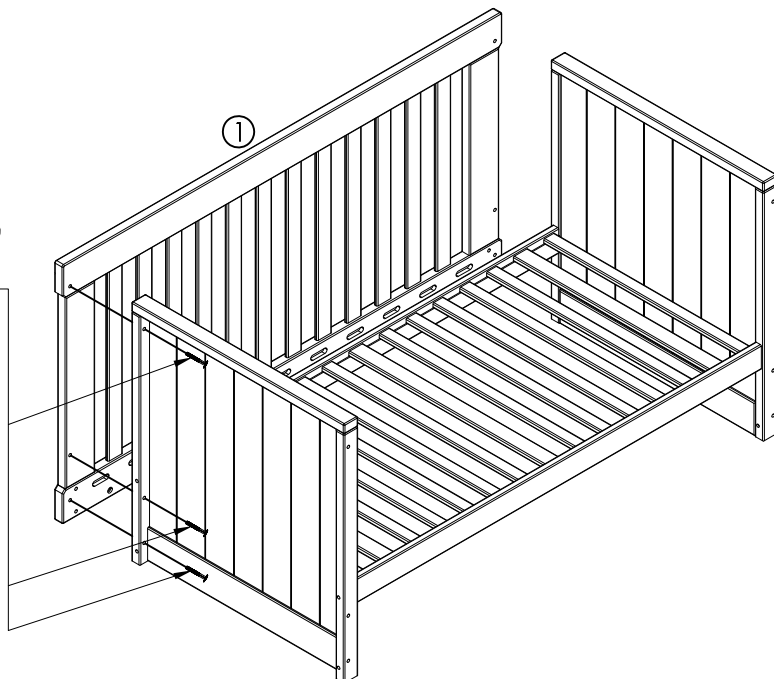
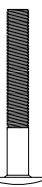
G X 4



Step 2: Connect **Back Panel** ① with the 6 x **F** connecting bolts provided.

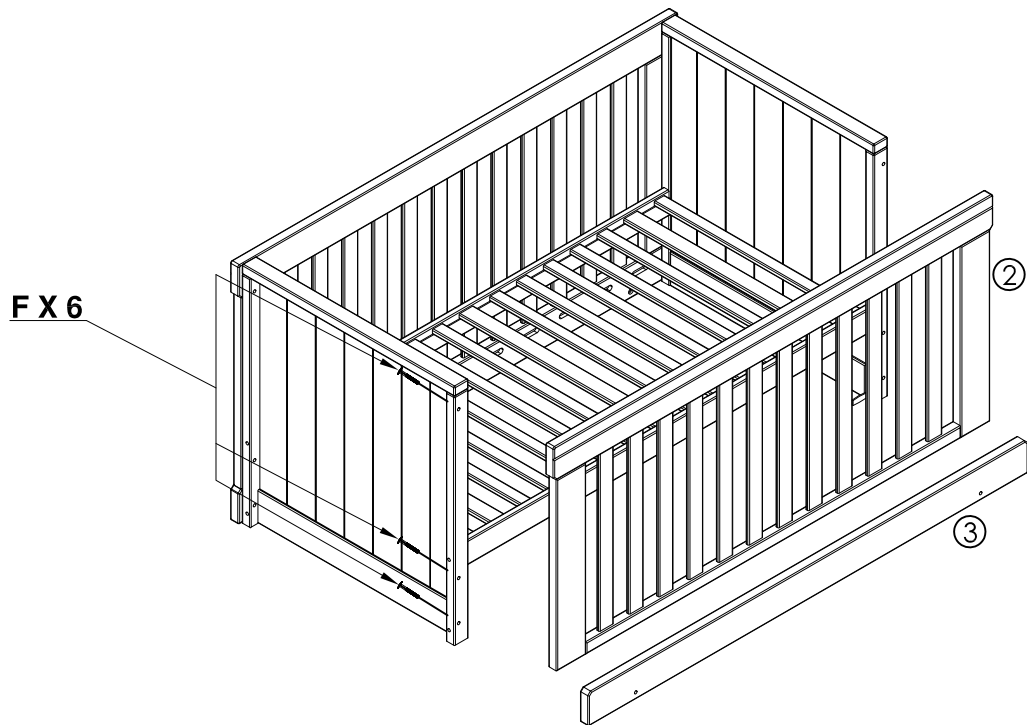
Connect **Back Panel** to the two **Side Panels** with the 6 x **F** connecting bolts provided.

F X 6

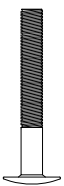


ASSEMBLY AS A CRIB

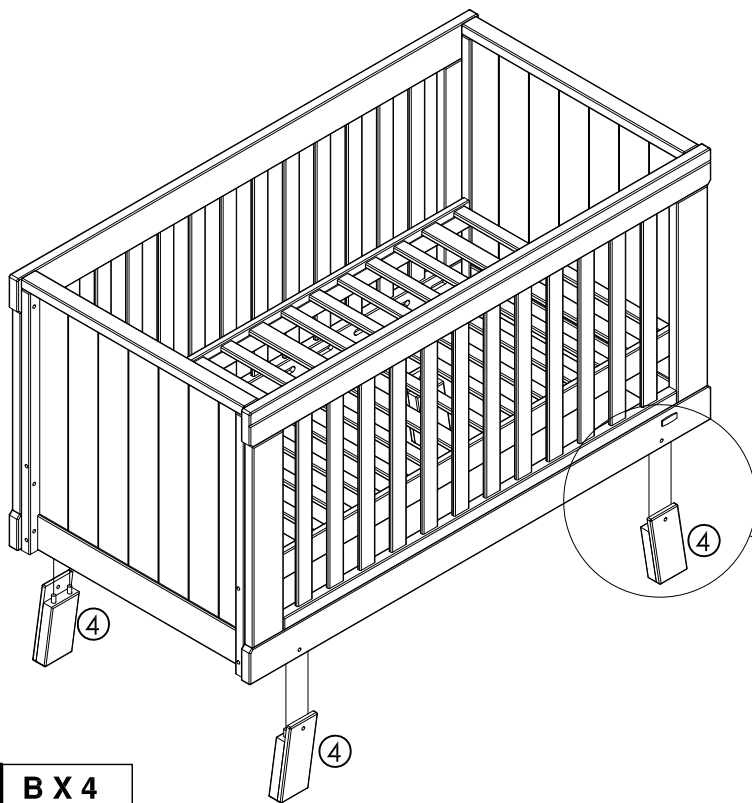
Step 3: Connect **Front Rail** ③ and **Front Panel** ② to the two **Side Panels** ⑥ with the **6 x F** connecting bolts provided.
Tighten all the connecting bolts to secure but do not over tighten.



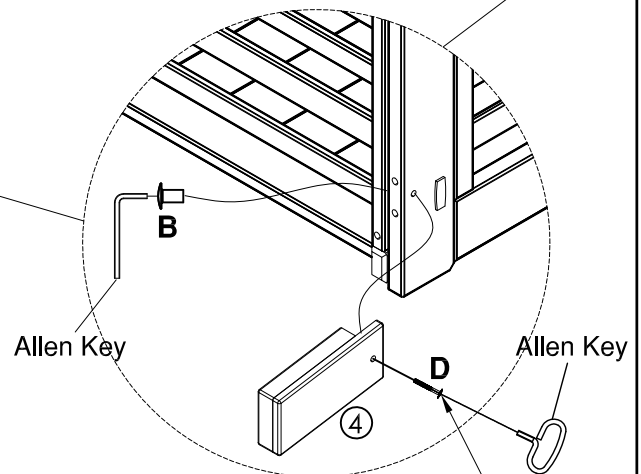
F X 6



Step 4: Install **Feet** ④ as shown.

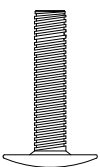


Must insert wood dowels into holes on the **Front Rail** and **Back Panel**



D X 4

B X 4



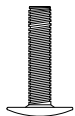
Connect 4 x **feet** ④ to the **Back Panel** ① and **Front Rail** ③ with 4 x **B** capping nuts and the 4 X **D** connecting bolts provided.

ASSEMBLY AS A CRIB

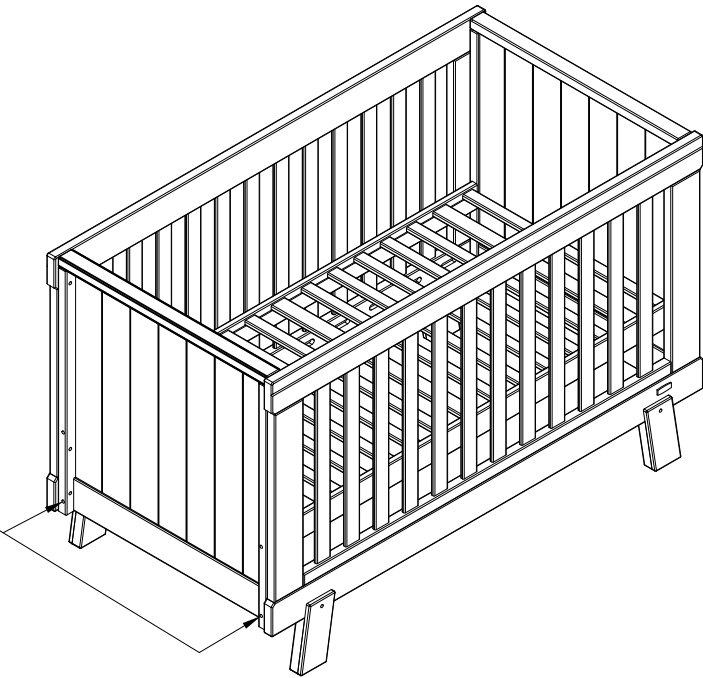
Step 5: Block remaining holes on **Side Panels**⑥ with **4 x B** capping nuts and **4 x E** connecting bolts provided.

B X 4

E X 4

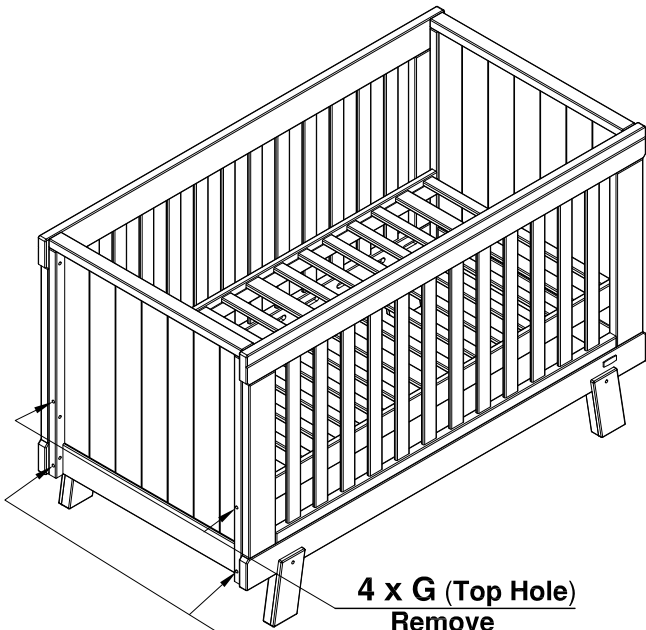


4 x (B+E)
Bottom Hole



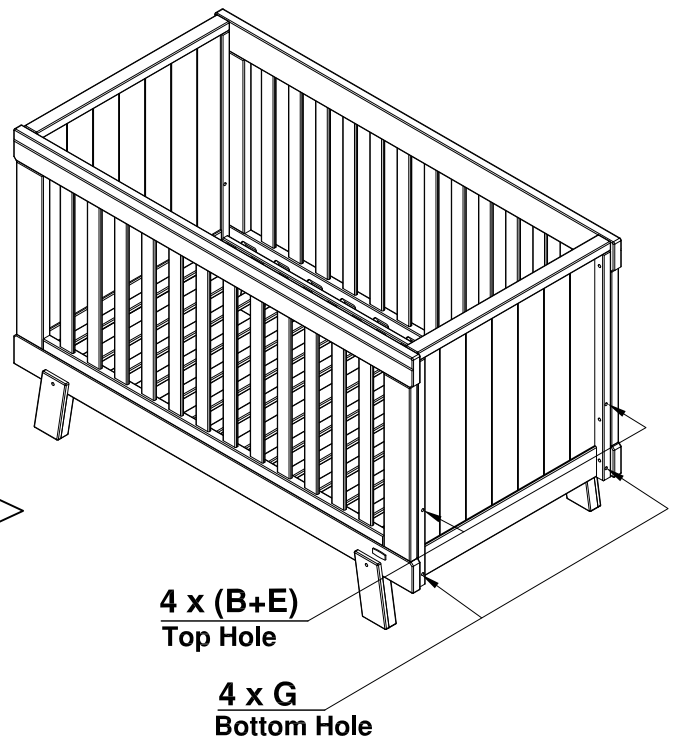
Note: When child is able to sit up, adjust **Base**⑤ to the **Bottom Hole** low base position (for baby).

1. Remove bumper pads, large toys and other objects that could serve as steps for climbing out.
2. Loosen **6 x F** connecting bolts on **Front Panel, Back Panel and Front Rail**, (see Step 2-3 for **F** connecting bolt location). Remove **4 x G** connecting bolts from **Side Panels**⑥.
3. Remove **4 x B** capping nuts and **4 x E** connecting bolts from **Bottom Holes** of **Side Panels**⑥ and use to block **Top Holes** of **Side Panels**⑥.
4. Connect **Base**⑤ to **Side Panels**⑥ using **4 x G** connecting bolts to secure **Bottom Hole** lower base position.
5. Tighten all remaining bolts .



4 x G (Top Hole)
Remove

4 x (B+E) (Bottom Hole)
Remove



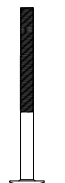
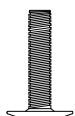
4 x (B+E)
Top Hole

4 x G
Bottom Hole

B X 4

E X 4

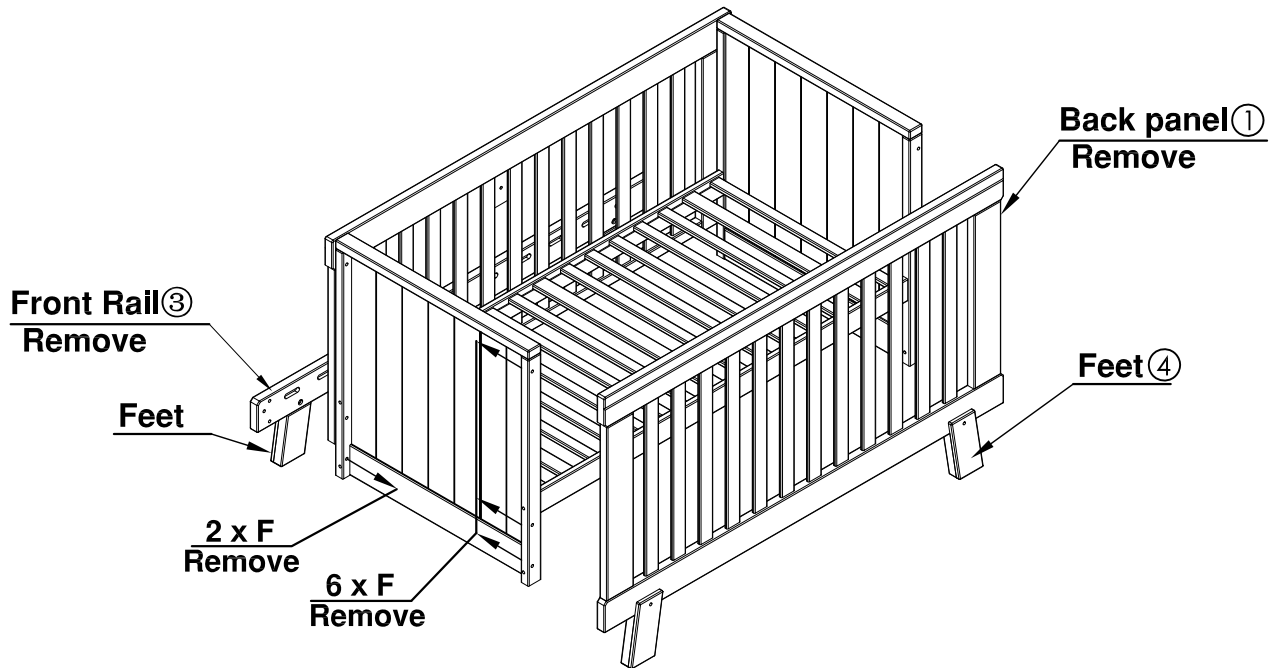
G X 4



Tighten all remaining base bolts.

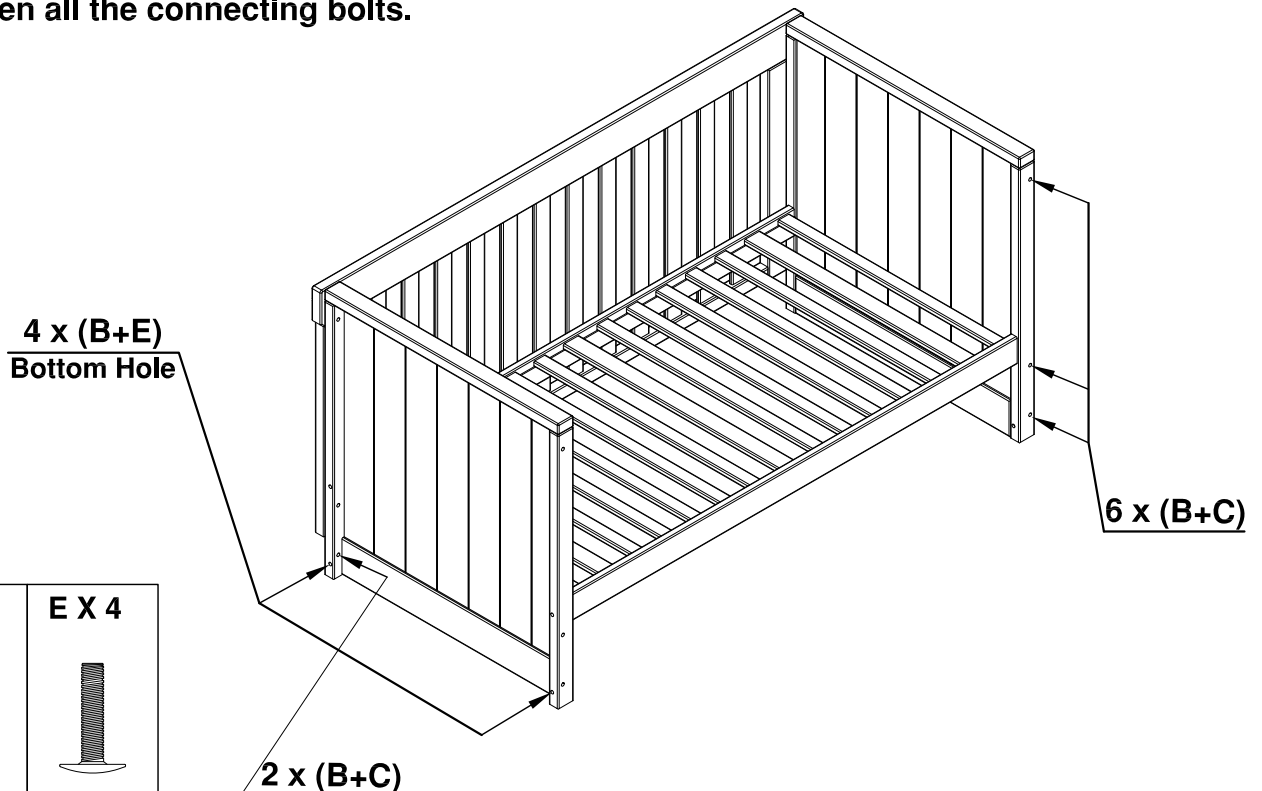
CONVERTING YOUR CRIB TO A LOVESEAT

Step 1: Reposition the **Base**⑤ to the **Top Hole** higher base position of the **Side Panels**⑥.
Remove **8 x F** connecting bolts from the **Front Rail**③ and **Back Panel**① to separate from the **Side Panels**⑥.



Step 2: As a result of removing the **Front Rail**③ and **Back Panel**①, block remaining holes on the **Side Panels**⑥ with **8 x (B+C)** capping nuts and connecting bolts provided.

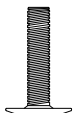
Note: When **Base**⑤ is on the **Top Hole** high base position, **4 x (B+E)** capping nuts and connecting bolts provided are used to block the **Low Holes**.
Tighten all the connecting bolts.



B X 12

C X 8

E X 4



2 x (B+C)

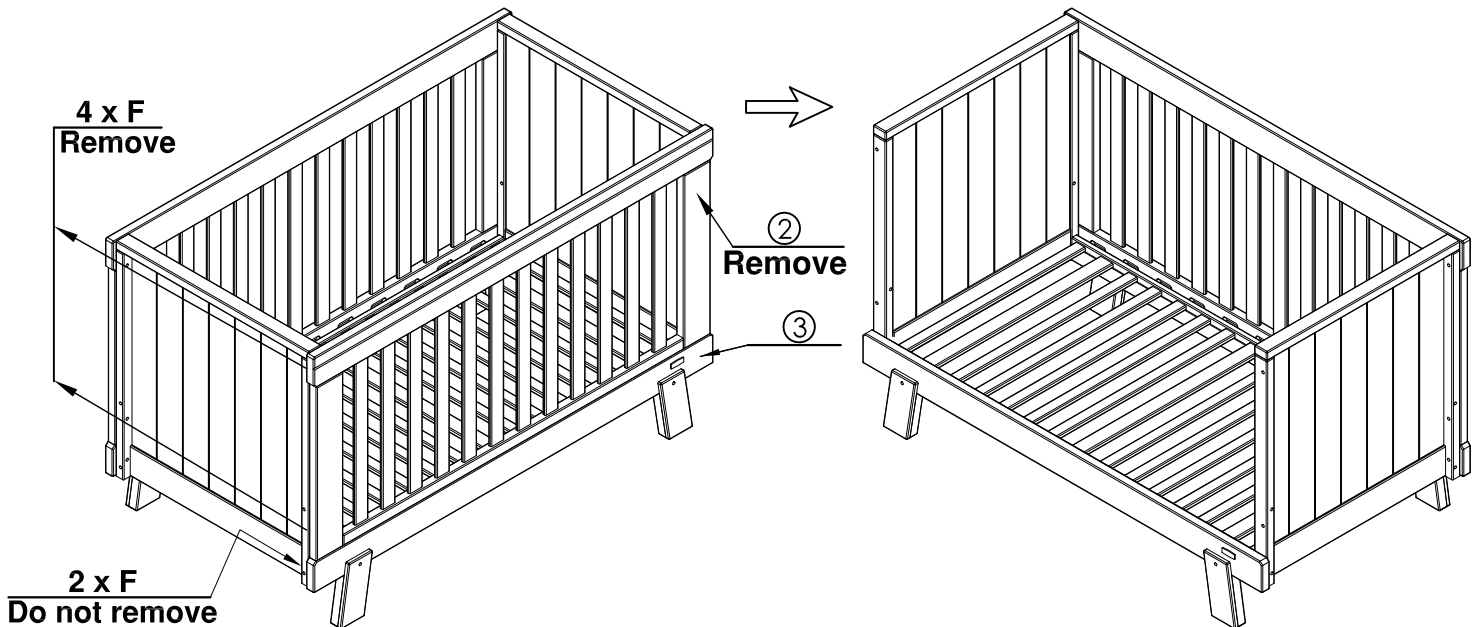
ACCESSORIES

Note: The Toddler Bed Conversion, item **B-CPTGR (Toddler Guard Rail for Convertible Plus)** is sold separately and available in all Boori finishes.

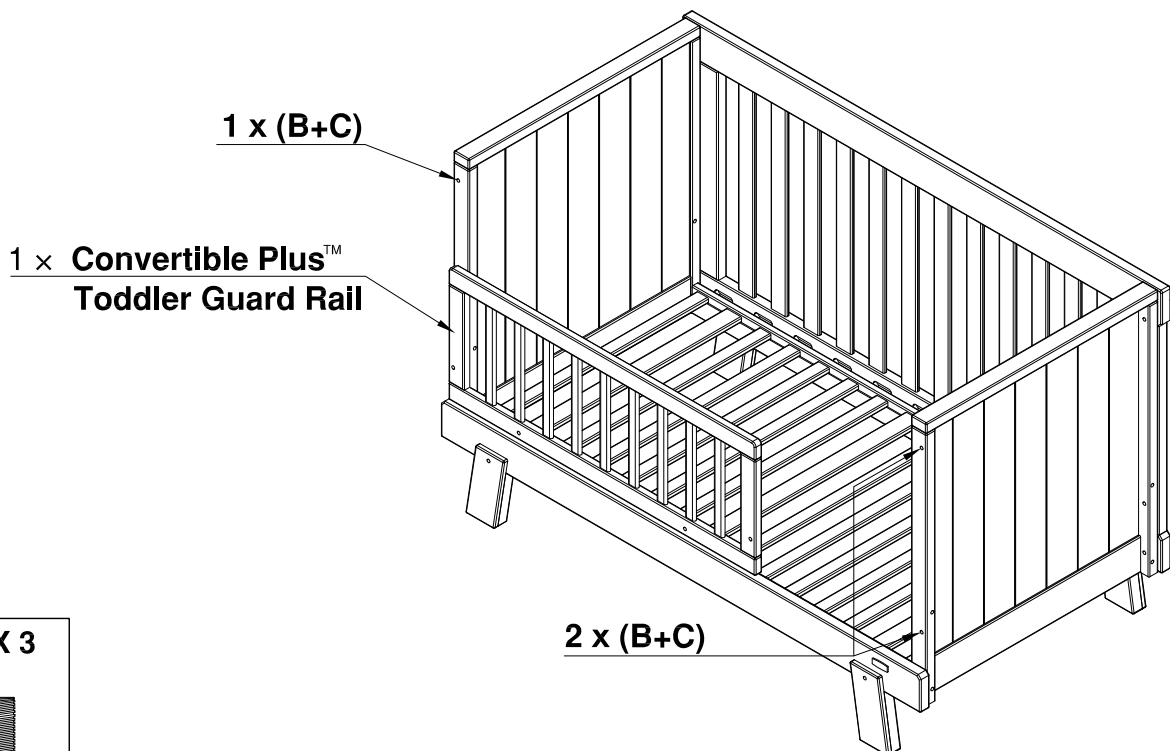
Please contact your Boori dealer for more information.

Note: Remove **4 x F** connecting bolts from the **Front Panel**② to separate the **Front Panel**② from the **Side Panels**⑥. Do not remove **2 x F** connecting bolts which attach the **Side Panels**⑥ to the **Front Rail**③.

⚠ **Keep the Base**⑤ in the low position.

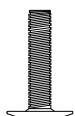


Note: Cover remaining holes on **Side Panels**⑥ with **3 x B** capping nuts and **3 x C** connecting bolts provided.



B X 3

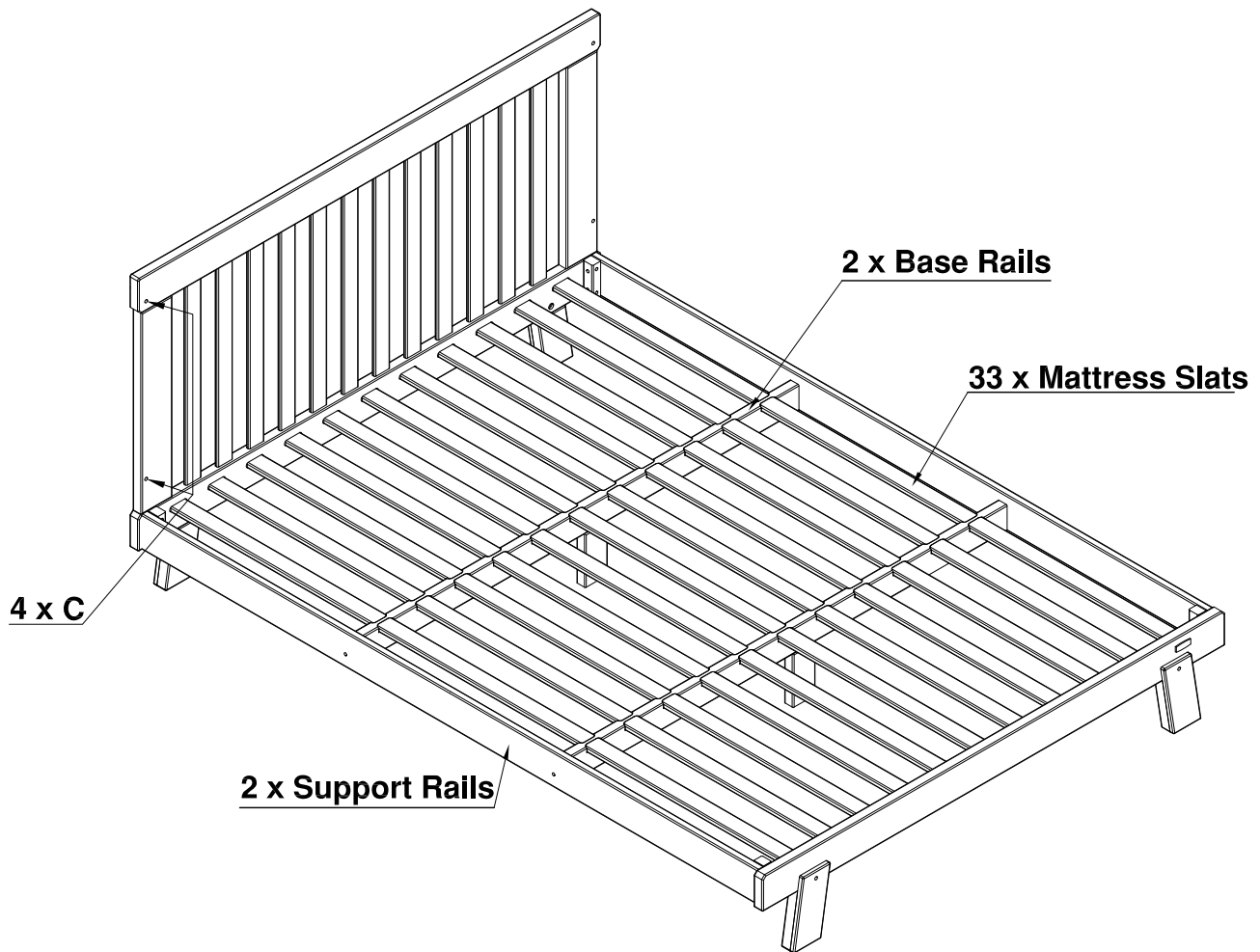
C X 3



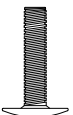
ACCESSORIES

Note: The Full Bed Conversion, item **U-CPCK (Convertible Plus Conversion Kit)** is sold separately and available in matching finish.
Please contact your Boori dealer for more information.

Note: Block remaining holes on **Back Panel** ① with **4 x C** connecting bolts provided.



C X 4



Assembly instructions

NOTE: Use only spare parts approved by the manufacturer

FOR AUSTRALIA AND NEW ZEALAND

(AS/NZS 2172:2013)

RECOMMENDED MATTRESS SIZE 1320mm X 700mm X 140mm

This cot has been manufactured for use with a mattress which measures 700mm wide by 1320mm long and a maximum thickness of 140mm. The width and length are specified because it is important that the gaps between the mattress sides and ends of the cot will not exceed 40mm. This is to minimise the risk of a child's limb becoming caught in the gap. The thickness of the mattress has been specified to ensure that the depth of the cot is greater than 500mm with the mattress base in the lower position to minimise the risk of a child climbing or falling out of the cot.

Warning:

- * **TO ENSURE THE SAFETY OF YOUR COT, REGULARLY CHECK ALL THE CONNECTING BOLTS AND GLIDE PINS MAKING SURE THEY ARE TIGHT.**
- * **TO PREVENT FALLS OR SUFFOCATION THE MAXIMUM MATTRESS THICKNESS SHOULD NOT EXCEED 140MM.**
- * **TO PREVENT FALLS, THE MATTRESS BASE OF THIS COT SHOULD BE ADJUSTED TO THE LOWEST POSITION BEFORE THE CHILD CAN SIT UP.**
- * Follow the manufacturer's assembly instructions in detail to ensure the safety features of the cot are not compromised.
- * Ensure the cot is placed at a reasonable distance from curtains, blinds, heaters and power points.
- * Keep cot free of any toys, cushions etc that could be used as a foothold or present a danger of suffocation or strangulation.
- * Keep medication, String, elastic or small items such as money out of reach from any position in the cot.

FOR THE UK

(EN 716:2008+A1:2013)

RECOMMENDED MATTRESS SIZE 1320mm X 700mm x 140mm

If you leave the child unattended in the cot, always make sure that the dropside is in the highest position.

This cot has been manufactured for use with a mattress which measures 700mm wide by 1320mm long and a maximum thickness of 140mm. The width and length shall be such that the gap between the mattress and the sides and ends does not exceed 30mm. The thickness of the mattress has been specified to ensure that the depth of the cot is greater than 500mm with the mattress base in the lower position and 200mm with the mattress in the highest position to minimise the risk of a child climbing or falling out of the cot.

Warning:

- * **TO ENSURE THE SAFETY OF YOUR COT , REGULARLY CHECK ALL THE CONNECTING BOLTS AND GLIDE PINS MAKING SURE THEY ARE TIGHT, CARE SHOULD BE TAKEN THAT NO SCREWS ARE LOOSE BECAUSE A CHILD COULD TRAP PARTS OF THE BODY OR CLOTHING (EG. Strings, necklaces, ribbons for babies dummies), WHICH WOULD POSE A RISK OF STRANGULATION.**
- * **TO PREVENT FALLS, THE MAXIMUM MATTRESS THICKNESS SHOULD NOT EXCEED 140MM.**
- * **TO PREVENT FALLS, THE MATTRESS BASE OF THIS COT SHOULD BE ADJUSTED TO THE LOWEST POSITION BEFORE THE CHILD CAN SIT UP.**
- * **TO PREVENT INJURY FROM FALLS THAT WHEN THE CHILD IS ABLE TO CLIMB OUT OF THE COT, THE COT SHALL NO LONGER BE USED FOR THAT CHILD.**
- * Be aware of the risk of open fire and other sources of strong heat, such as electric bar fires, gas fires, etc. in the near vicinity of the cot.
- * Do not use the cot if any part is broken, torn or missing and use only spare parts approved by the manufacturer.
- * Do not leave anything in the cot or place the cot close to another product, which could provide a foothold or present a danger of suffocation or strangulation, e.g. strings, blind/curtain cords, etc.
- * Do not use more than one mattress in the cot.

Warning:

(BS 8509:2008+A1:2011)

- * The child's bed conforms to BS 8509:2008 +A1:2011
- * Recommended mattress size 1320mm x 700mm x 140mm
- * Cot bed is Suitable for a child from 18months to 4years old.
- * Do not place this child's bed near heat sources, windows and other furniture.
- * Do not use this child's bed if any part is broken, torn or missing and use only spare parts approved by BOORI AUSTRALIA PTY LTD.
- * The bed is designed to be dismantled for storage or transportation;
- * All assembly fittings should always be tightened properly and checked periodically;
- * Children are likely to play, bounce, jump and climb on beds, therefore the child's bed should not be placed too close to other furniture or windows, blind cords, curtain pulls or other strings or cords, and should be placed either tight to any wall or have a gap of 300mm between the wall and the side of the bed.