

URBANE
by boori

Lucia

3 Drawer Chest



**IMPORTANT:
PLEASE READ THE INSTRUCTIONS CAREFULLY
AND KEEP FOR FUTURE REFERENCE**



**IMPORTANT: THE ASSEMBLY OF THIS PRODUCT REQUIRES TWO PEOPLE
READ ALL INSTRUCTIONS BEFORE ASSEMBLY AND USE OF THE PRODUCT.**

Boori Australia Pty Ltd
18-20 Charles Street
St. Marys Sydney
NSW 2760 Australia
Ph: 61 2 9833 3769
Fax: 61 2 9673 4240
www.boori.com.au

Boori (Europe) Ltd
Unit 1, Transigo
Gables Way
Thatcham, Berkshire
RG19 4JZ
Ph: (44) 016 3529 5670
Fax: (44) 016 3587 7552
www.boori.co.uk

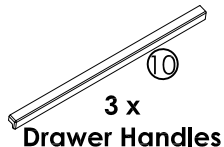
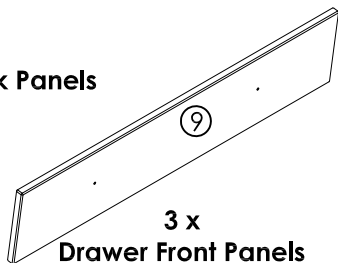
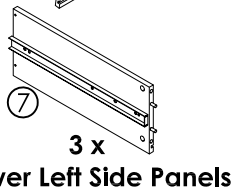
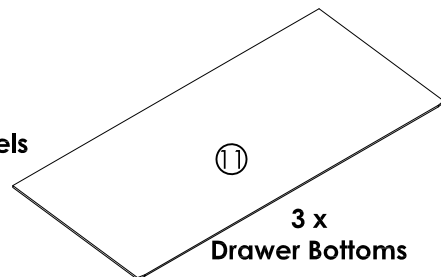
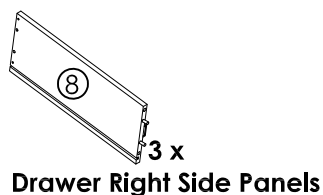
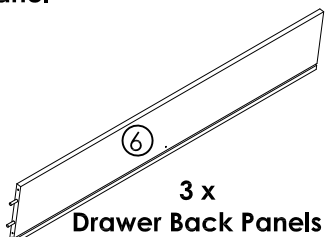
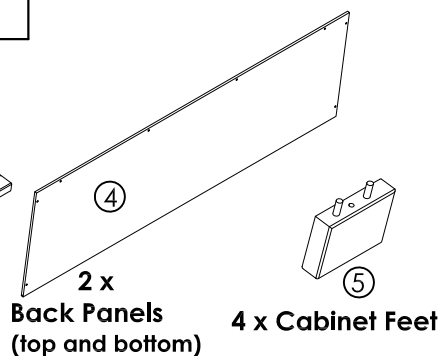
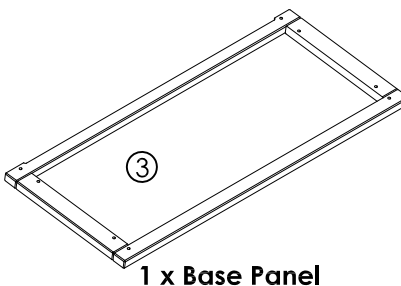
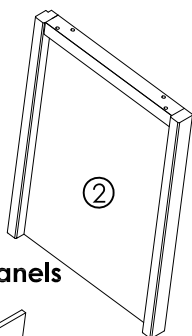
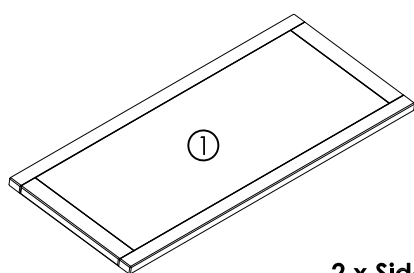
Hallm & Boori Company
10F. Hallm INT'L B/D, #1674-4,
Seocho-Dong, Seocho-Gu,
Seoul, Korea
Tel: +82-2-598-1470
Fax: +82-2-583-8885
E-mail: ted@boori.co.kr
Postal code: 137-725

ブーリジャパン(株)
〒541-0057
大阪府大阪市中央区北久宝寺町
4-2-10
Ph : 06-4963-3939
Fax : 06-4963-3900
E-mail : info@boori.co.jp

Instructions for Boori Urbane Lucia 3 Drawer Chest (U-LU3DC)

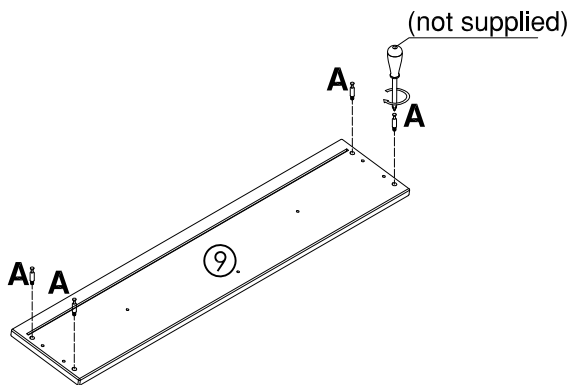
Hardware and Parts List

1 x Allen Key	12 x Connecting bolts	12 x Excenter fittings	6 x 30mm Connecting bolts	12 x 30mm Self tapping screws	6 x 12mm Self tapping screws	16 x 16mm Self tapping screws
	A Actual size	B Actual size	C 	D 	E 	F
6 x Laminates pin	4 x 80mm Connecting bolts	8 x 54mm Connecting bolts	1 x 16mm Connecting bolts	1 x Wall strap		
G 	H 	I 	J 	K 		



ASSEMBLY INSTRUCTIONS

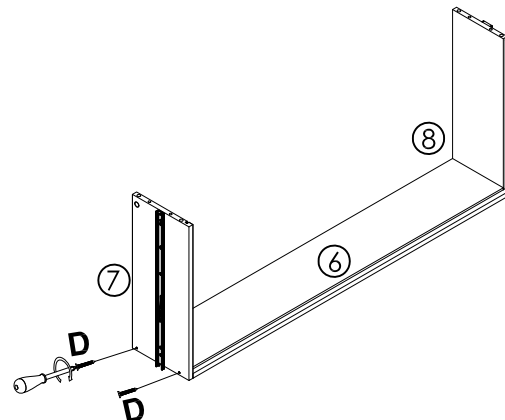
Step 1: Screws into the Drawer Front Panel.



A x 12



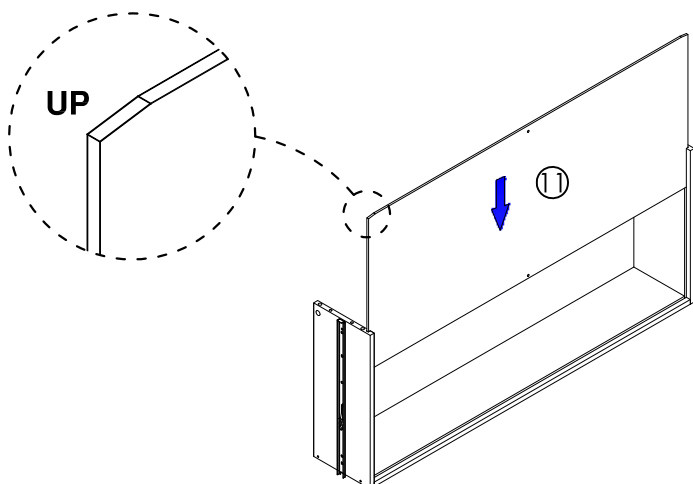
Step 2: Assemble Drawer Back Panel and Side Panels.



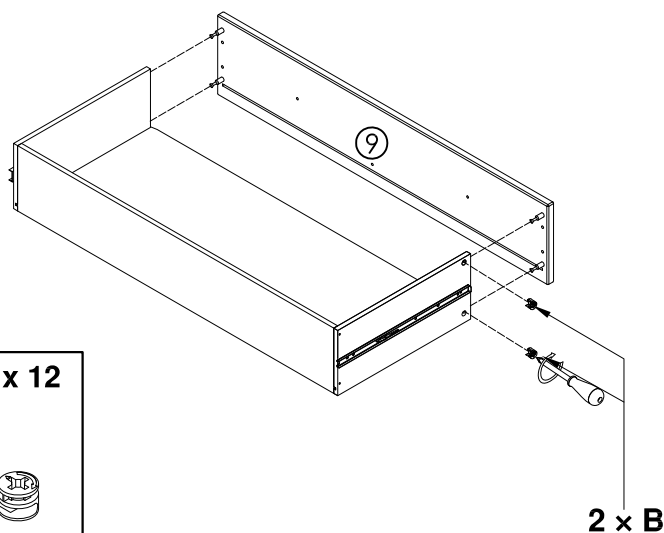
D x 12



Step 3: Insert the Drawer Bottom.



Step 4: Assemble Drawer Front Panel.

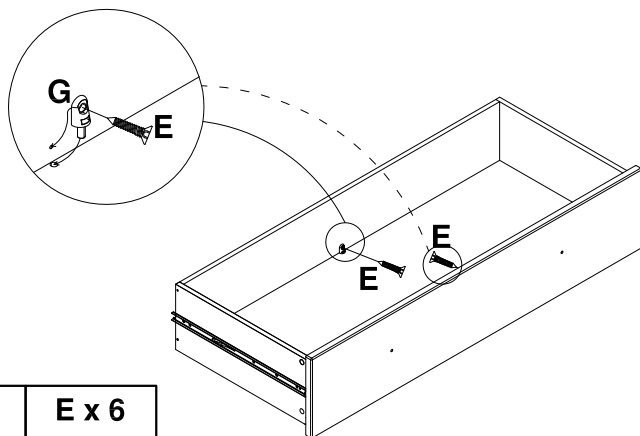


B x 12



2 x B

Step 5: Install Laminate pin.

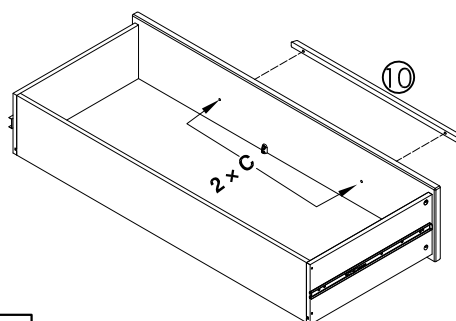


G x 6

E x 6



Step 6: Install Handles.



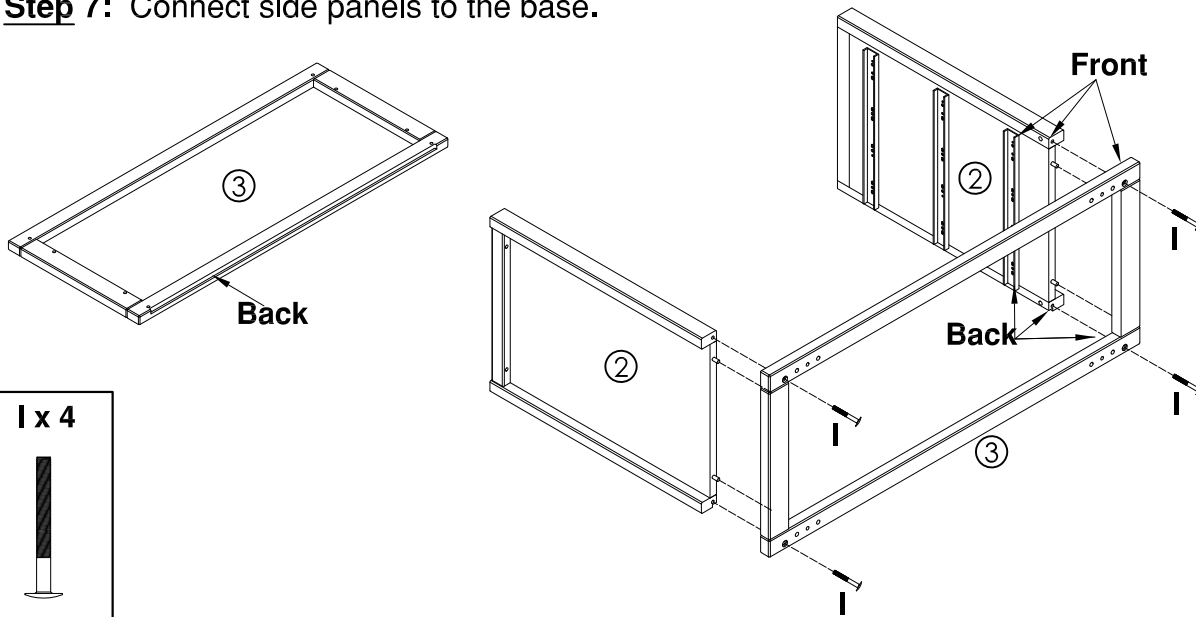
C x 6



⚠ Assemble in the same way the other two Drawers.

ASSEMBLY INSTRUCTIONS

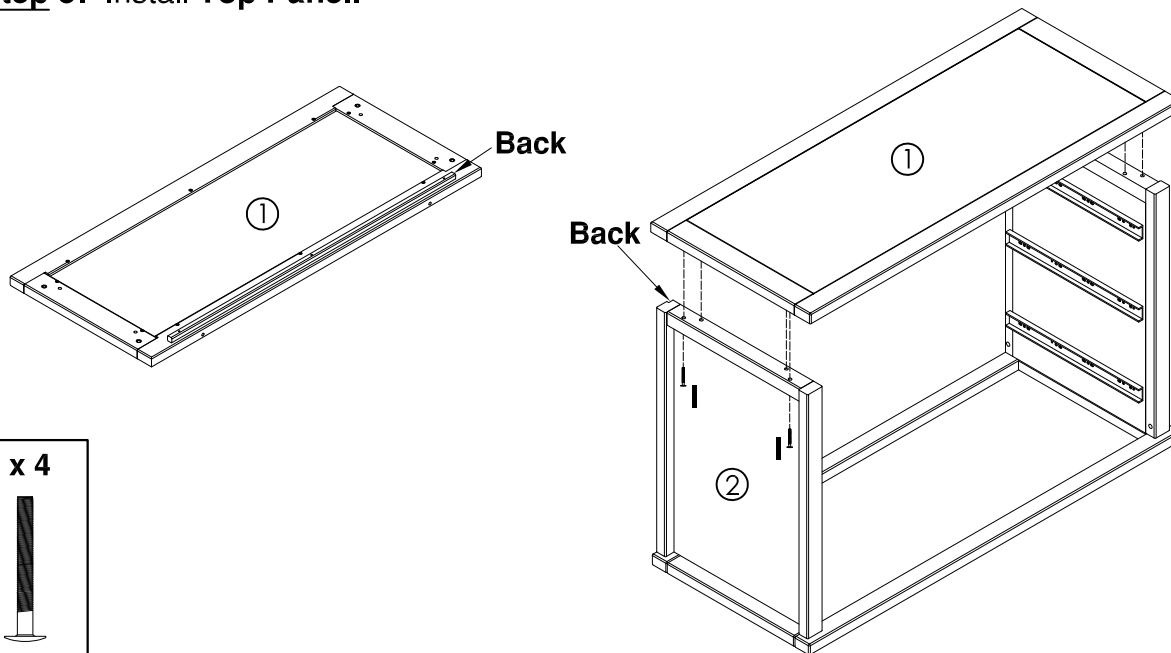
Step 7: Connect side panels to the base.



I x 4



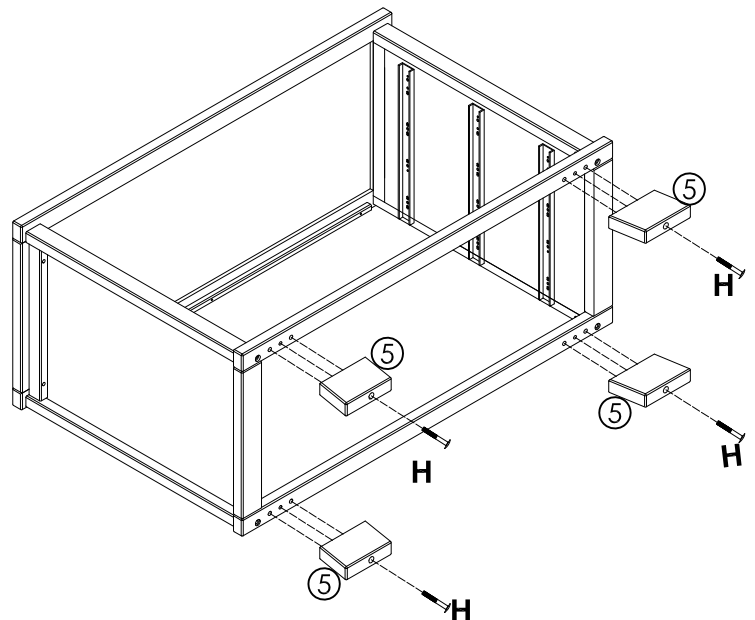
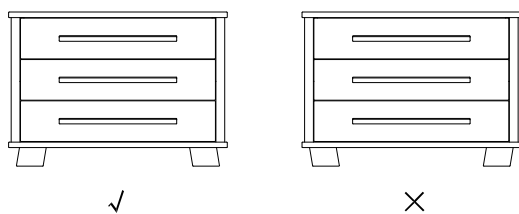
Step 8: Install Top Panel.



I x 4



Step 9: Install Cabinet Feet.

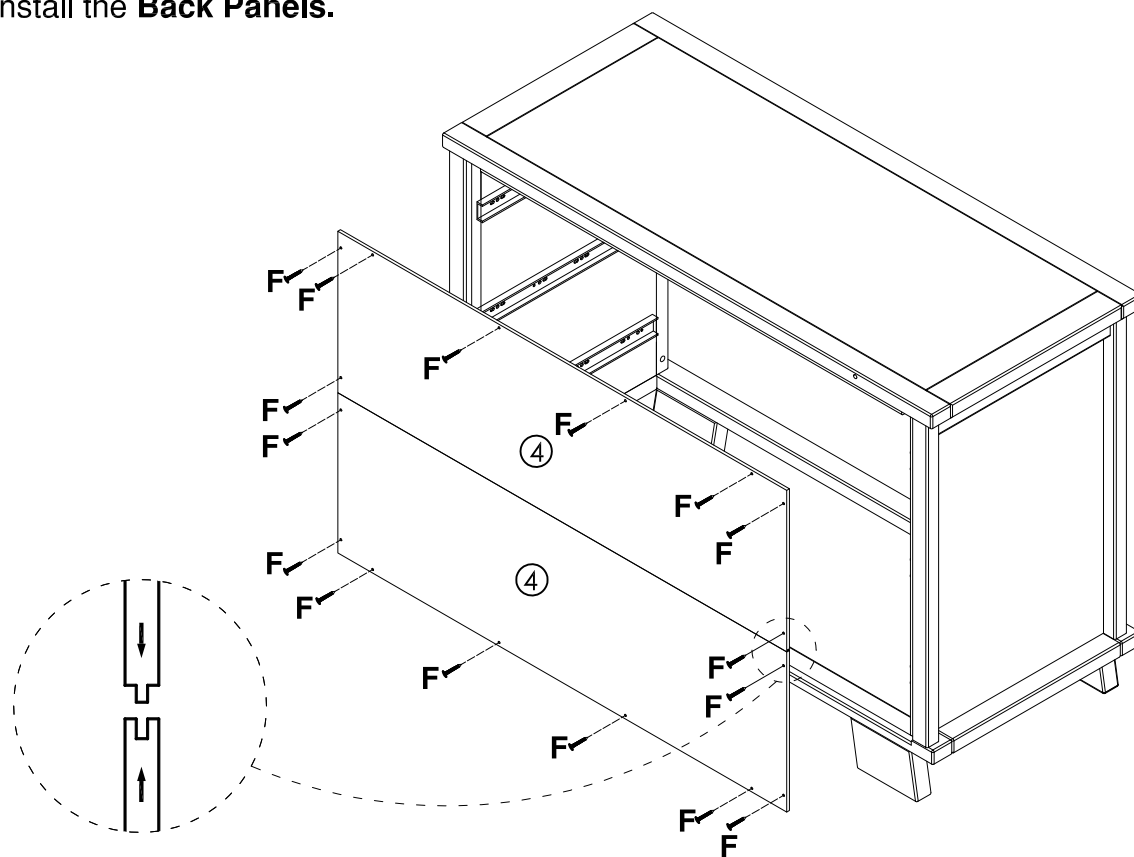


H x 4

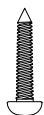


ASSEMBLY INSTRUCTIONS

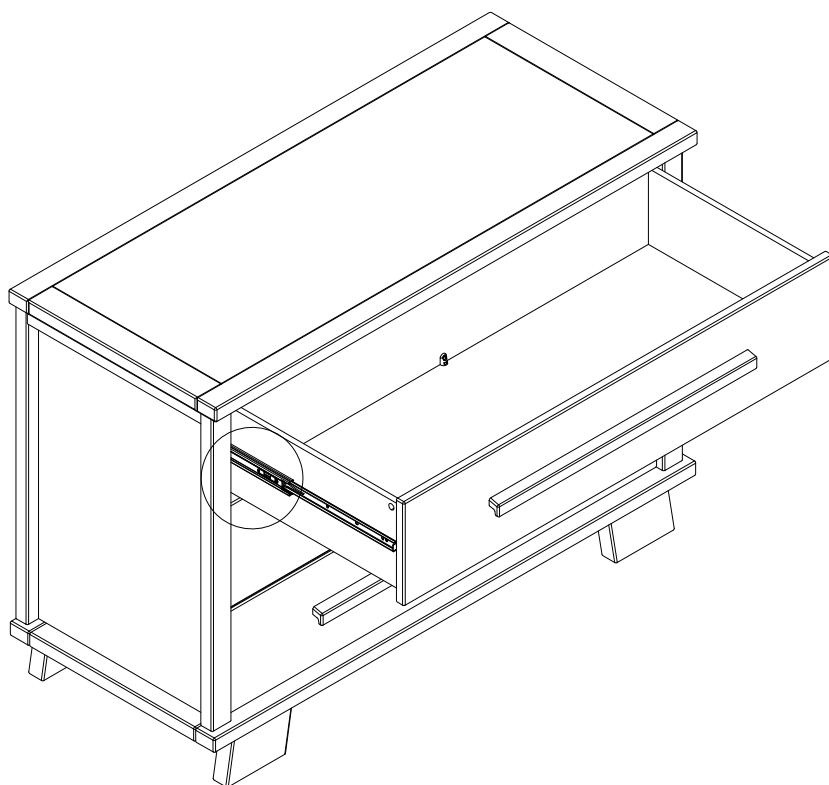
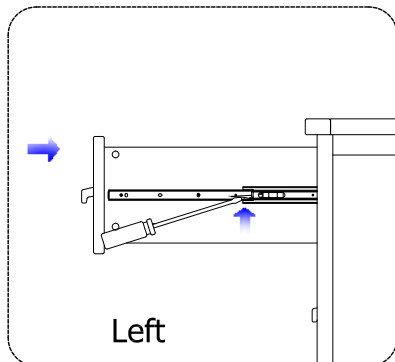
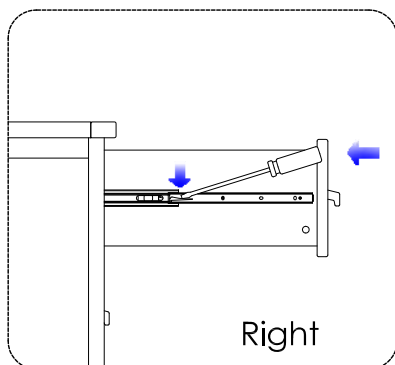
Step 10: Install the Back Panels.



F x 16



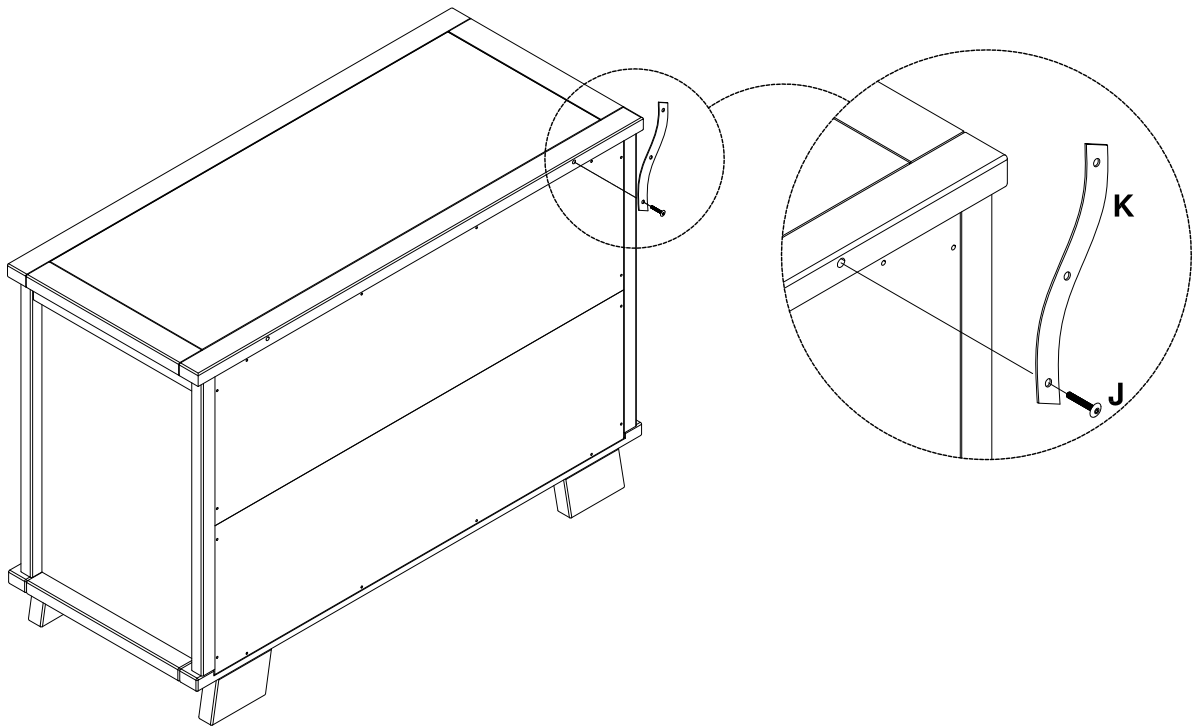
Step 11: Drawers loaded into the chest.



⚠ Load the three drawers into the cabinet in the same way.

ASSEMBLY INSTRUCTIONS

Step 12: Install Wall Strap.



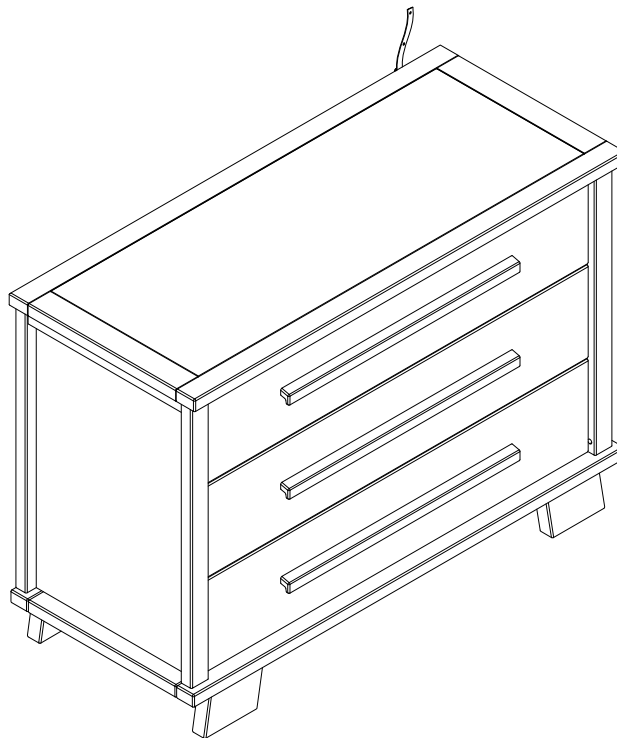
J x 1



K x 1



Step 13: Fix to the wall.



⚠ Place the furniture in its assembled form, adjacent to the wall, and fix to the wall, using fittings appropriate for that wall. If you are in any doubt about the correct type of fittings to use, Please seek professional advice.

Boori Care Instructions

Congratulations and thank-you for choosing a Boori product. The furniture you have purchased is constructed from high quality materials for strength and durability. Here are some guidelines on how you can preserve its beauty.

- Do not expose furniture to strong sunlight, direct heat sources, extreme changes in temperature and humidity
- Wipe up spills immediately
- Clean the furniture using a soft damp cloth
- If necessary clean furniture using a mild soap and then wipe dry with a soft clean cloth
- Do not use strong household cleaners or abrasives
- Always wipe in the direction of the grain not across the grain or in a circular motion
- Avoid contact with sharp hard objects or containers of hot liquid
- Avoid contact with rubber feet on items such as TV's, Stereo's and computers, use a felt mat to protect the surface, do not use a plastic mat
- Do not open more than one drawer at a time
- When moving furniture do not drag always lift and place in position

Boori Warranty

All Boori Urbane products including the Boori Deluxe mattress carry a full two (2) year manufacturer's warranty as a testimony to the quality and longevity of the range. This warranty excludes general wear and tear and damage caused by the product not being used in accordance with its instructions or the above care instructions.

During the warranty period Boori will replace or repair any defective part. In the event of a product being replaced as a whole or as a part the warranty expires from the original purchase date.

- An original of the proof of purchase is required before any warranty claim will be considered
- All warranty claims must be made at the place of original purchase
- The warranty does not include transportation or the fitting of any defective part
- The warranty is void if the original product has been altered in design or colour in any way

Boori Australia Pty Ltd
18-20 Charles Street
St.Marys Sydney NSW
2760 Australia
Ph: (61 2) 9833 3769
Fax: (61 2) 9673 4240
www.boori.com.au

Boori Europe Ltd
Unit 1, Transigo,
Gables Way
Thatcham, RG19 4JZ
Ph: (44) 01635 295670
Fax: (44) 01635 877552
www.boori.co.uk

Halim & Boori Company
10F. Halim Int'l B/D,
#1674-4, Seocho-Dong,
Seocho-Gu, Seoul
137-725, Korea
Ph: +82-2-598-1470
Fax: +82-2-583-8885
www.boori.co.kr

ブーリジャパン株式会社
〒 541-0057 大阪市中央区
北久宝寺町4丁目2-10
Tel: 06-4963-3939
Fax: 06-4963-3900
www.boori.jp



Warranty against defects

For Australia only (updated 01/01/2012)

Boori Australia Pty Ltd

18-20 Charles Street, St.Marys Sydney Nsw 2760 Australia
PH:(61 2) 9833 3769 FAX:(61 2) 9673 4240
ABN: 76 104 474 759

Boori Care Instructions

Congratulations and thank you for choosing Boori product(s). The furniture you have purchased is constructed from high quality materials for strength and durability. Here are some tips on how you can preserve its beauty for a long time.

1. Do not expose furniture to strong sunlight, direct heat sources, extreme changes in temperature or moisture.
2. Wipe up spills immediately with a soft, clean cloth.
3. Urine spills on furniture can cause discolouration.
4. Clean furniture by wiping the surface with a soft cloth dampened with water.
5. If necessary clean furniture using a mild soap solution and wipe clean with a soft cloth dampened with water and then dry with soft clean cloth.
6. Do not use strong household cleaners.
7. Always wipe in the direction of the grain in the wood do not wipe in a circular motion.
8. Avoid contact with sharp objects, or containers containing hot liquid.
9. Avoid contact with 'rubber feet' on items such as radios, computers, telephones etc. Use a felt mat (not plastic) to protect furniture surfaces.
10. Do not open more than one drawer at a time.
11. When moving furniture do not drag, always lift and place in position.

Boori Warranty (“this Warranty”)

All Boori Urbane Collection products (“Boori Urbane Products”) (including mattresses) carry a full two (2) year manufacturer’s warranty (“Warranty Period”) to the end-purchaser (“the Customer”) as testimony to the quality and longevity of the range. This warranty excludes general wear & tear and damage caused, by the Boori Urbane Product not being used in accordance with its instructions or the care instructions. During this Warranty Period Boori Australia Pty Ltd (ABN 76 104 474 759) (“Boori”) will replace or repair any defective part. In the event of a Boori Urbane Product being replaced, as a whole unit or part thereof during the Warranty Period, the warranty on the replacement will expire two (2) years from the original purchase date.

This guarantee excludes accidental damage, misuse and or improper transporting and handling.

The warranty is void if the original Boori Product has been altered in design or colour in anyway.

All warranty claims must be lodged:

- 1. at the place of original purchase as set out on your receipt for purchase of the Boori Products or you may contact Boori on 9833 3769 to obtain further details;and**
- 2. together with a proof of purchase.**

Where the Customer makes a claim pursuant to this Warranty, all expenses incurred in sending the Boori Products to Boori are the Customer's responsibility.

Boori's liability in respect of a breach of a consumer guarantee or any warranty made under this Warranty for any Boori Products not of a kind ordinarily acquired for personal, domestic or household use is limited, in relation to the Boori Products to the extent permissible by law and at it's option to:

1. replacing the Boori Products or the supply of equivalent Boori Products;
2. the repair of the Boori Products;
3. the payment of the cost of replacing the Boori Products or of acquiring equivalent goods; or
4. the payment of the cost of having the Boori Products repaired.

To the extent permitted by law, all other warranties whether implied or otherwise, not set out in this Warranty are excluded and Boori is not liable in contract, tort (including, without limitation, negligence or breach of statutory duty) or otherwise to compensate the Customer for:

1. any increased costs or expenses;
2. any loss of profit, revenue, business, contracts or anticipated savings;
3. any loss or expense resulting from a claim by a third party; or
4. any special, indirect or consequential loss or damage of any nature whatsoever caused by the Customer's failure in complying with its obligations.

Limitations on Warranty Disclaimers

In the following paragraph, 'Our' means 'Boori', 'You' means 'the Customer' and 'goods' means 'Boori Products':

Our goods come with guarantees that cannot be excluded under the Australian Consumer Law. You are entitled to a replacement or refund for a major failure and for compensation for any other reasonably foreseeable loss or damage. You are also entitled to have the goods repaired or replaced if the goods fail to be of acceptable quality and the failure does not amount to a major failure.

The benefits given to the Customer in this Warranty are in addition to other rights and remedies under a law in relation to the Boori Products to which this warranty applies.