

Read all instructions BEFORE assembly and USE of product. KEEP INSTRUCTIONS FOR FUTURE USE

# \*IMPORTANT, RETAIN FOR FUTURE REFERENCE\* PLEASE READ CAREFULLY

## Boori International

AUSTRALIA  
18-20 Charles Street  
St.Marys Sydney NSW  
2760 Australia  
Ph: 61 2 9833 3769  
Fax: 61 2 9673 4240

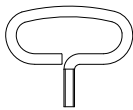

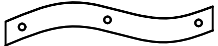
Boori (UK) Ltd  
Unit 1,Transigo,  
Gables Way,Kennet Park,  
Thatcham,Berkshire,  
RG19 4ZA  
Ph: (44) 016 3529 5670  
Fax: (44) 016 3587 7552

Boori USA LLC  
20 Chapin Road, Ste 1001  
Pine Brook, NJ 07058  
Ph: +1 973 577 6933  
Fax: +1 973 577 6934

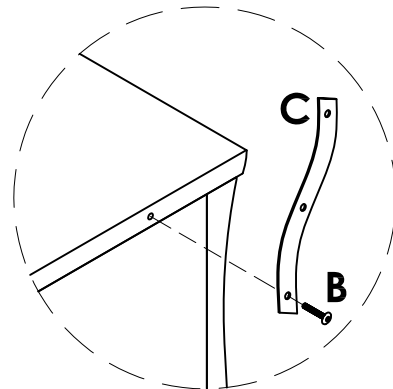
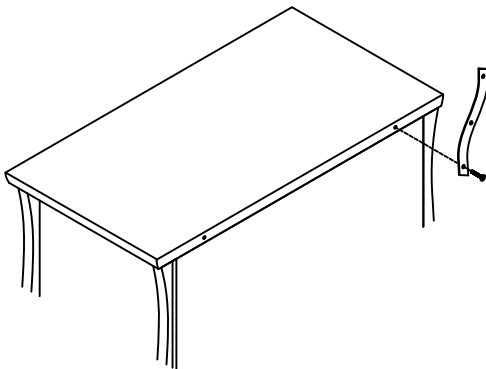
Boori JAPAN Co., Ltd  
401A, 4-2-10 Kitakyuhoji-machi,  
Chuo-ku, Osaka 541-0057 Japan  
TEL: 06-4963-3939  
FAX: 06-4963-3900  
E-mail: info@boori.co.jp

## Instruction for Wall Strap

### Product Hardware List

1 x Allen key	1 x 16mm Connecting bolt	1 x Wall strap
	<b>B</b> 	<b>C</b> 

1. Attach C to the rear edge of the top using B either to left side or right side.
2. The wall strap is only intended to be used with the Boori product that it is supplied with.
3. Never attempt to modify or change the wall strap in any way. Never use any other fittings for attaching the strap to your furniture than those supplied.
4. Never use the screw provided to attach the wall strap to the wall.
5. No wall attachment fittings are supplied. This is because the type of fittings required to attach the wall strap to the chosen wall is determined by the wall's composition.
6. If you are in any doubt about the correct type of fittings to use when attaching your wall strap, consult a professional before attempting to fix it to the wall.



## Instruction on how to remove the drawer of chest

1. Insert a small screwdriver inside the Right Hand Side drawer runner.
2. Push down the tip of the drawer locking mechanism.
3. Insert a small screwdriver inside the Left Hand Side drawer runner.
4. Lift up the tip of the drawer locking mechanism.
5. Once both drawer runners have been unlocked, pull out the drawer carefully.

