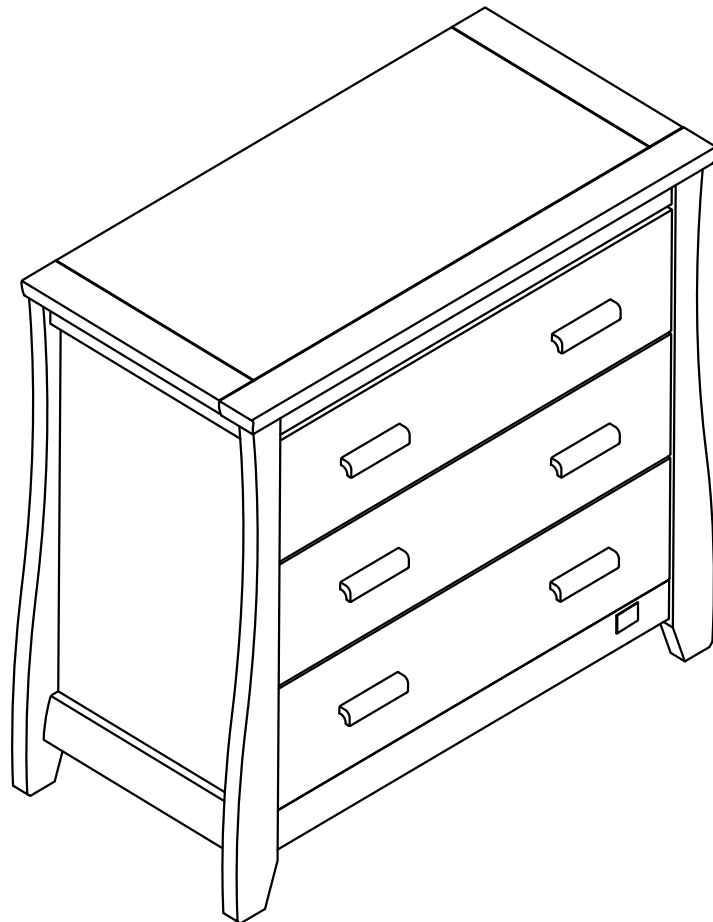


Waratah
by Boori

Manor

3 Drawer Chest



IMPORTANT:
PLEASE READ THE INSTRUCTIONS CAREFULLY
AND KEEP FOR FUTURE REFERENCE



**IMPORTANT:THE ASSEMBLY OF THIS PRODUCT REQUIRES TWO PEOPLE
READ ALL INSTRUCTIONS BEFORE ASSEMBLY AND USE OF THE PRODUCT.**

Boori Australia Pty Ltd
18-20 Charles Street
St. Marys Sydney NSW
2760 Australia
Tel: + 61 2 9833 3769
Fax: + 61 2 9673 4240
www.boori.com.au



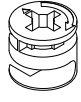
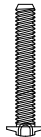
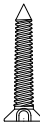
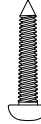


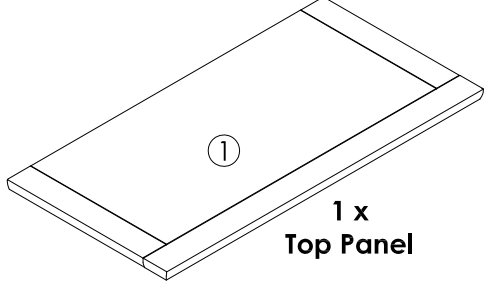


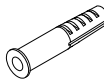
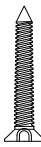

Boori (Europe) Ltd
Unit 1 Riverside House,
Mill Lane, Newbury,
Berkshire, RG 14 5QS UK
Tel: + 44 016 3529 5670
Fax: + 44 016 3587 7552
www.boori.co.uk

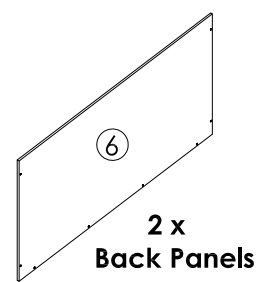
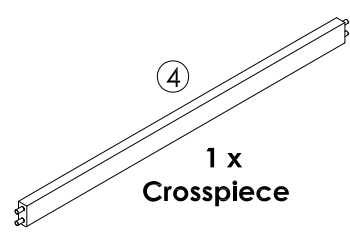
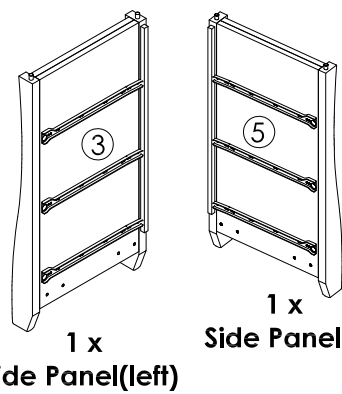
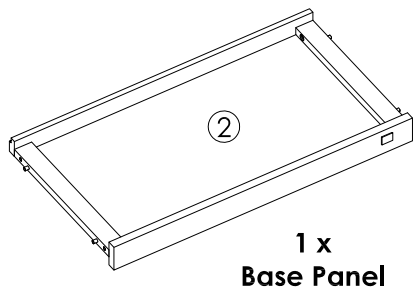
Halim & Boori Company
10F. Halim INT'L B/D, #1674-4,
Seocho-Dong, Seocho-Gu,
Seoul, Korea
Tel: + 82 2598 1470
Fax: + 82 2583 8885
E-mail : ted@boori.co.kr
Postal code: 137-725.

ブーリジャパン株式会社
〒141-0031
東京都品川区西五反田
7-22-17 TOCビル5F
TEL:03-6420-0024
EMAIL:info@boori.co.jp
HP:www.boori.jp

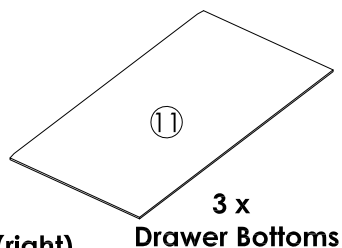
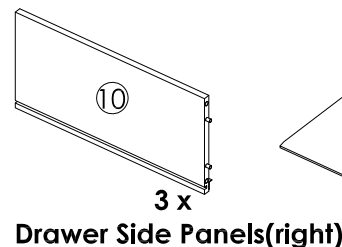
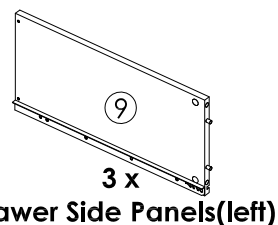
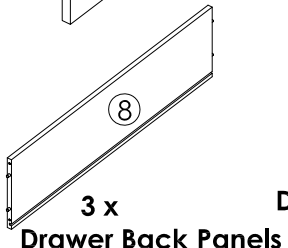
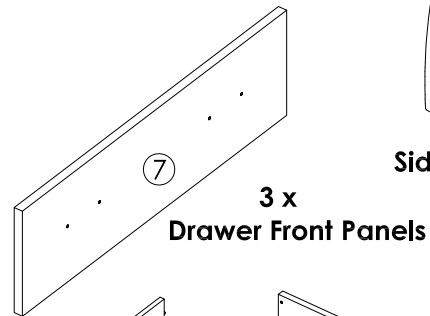
Instructions for Boori Waratah Manor 3 Drawer Chest(BW-MA3DC)

Hardware and Parts List

1 x Allen Keys	12 X Connecting bolts	12 X Excenter fittings	12 X 30mm Connecting bolts	12 X 30mm Self tapping screws	12 x 16mm Self tapping screws	4 X 60mm Connecting bolts	4 X 80mm Connecting bolts
	A 	B 	C 	D 	E 	F 	G 
 1 x Top Panel			1 X 16mm Connecting bolts	1 X Wall strap	1 X Wall plug	1X 40mm Self tapping screws	2 X Washer
			H 	I 	J 	K 	L 

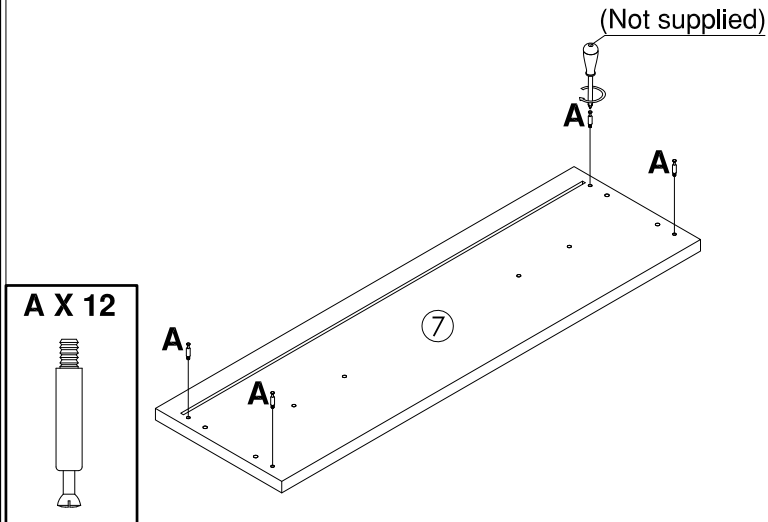


NOTE:
Use only spare parts approved by the manufacturer.

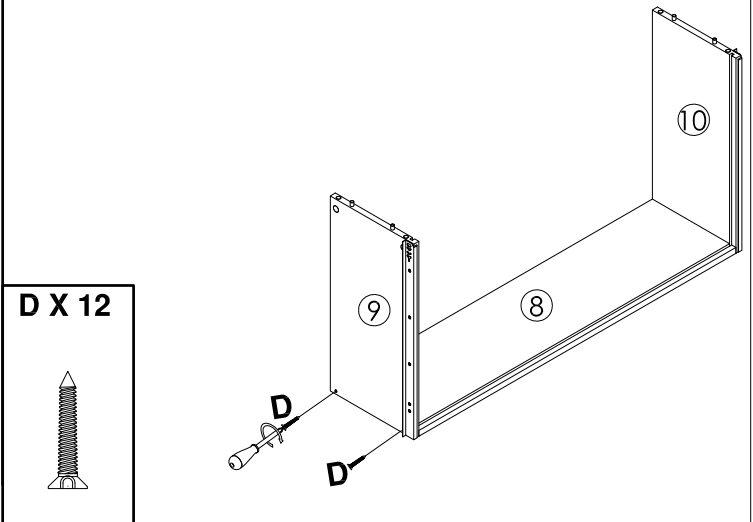


ASSEMBLY INSTRUCTIONS

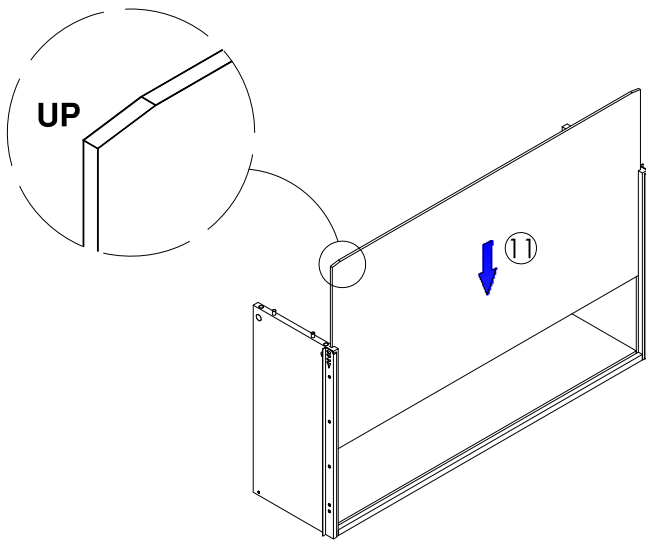
Step 1: Screws into the Drawer Panel.



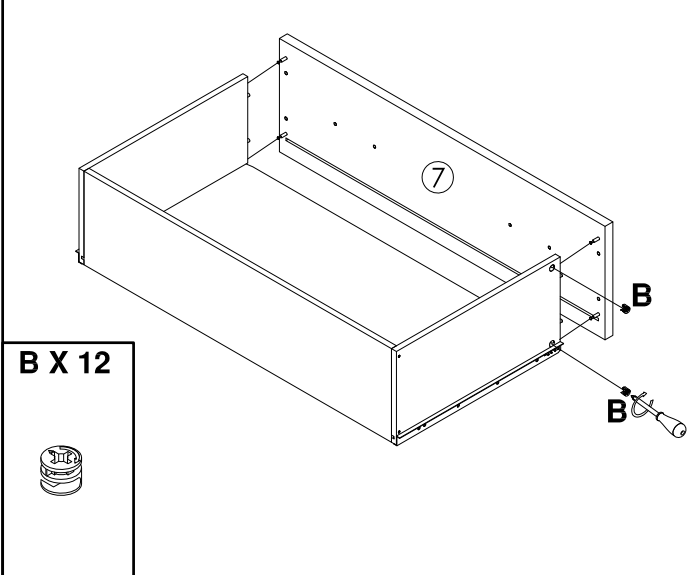
Step 2: Assembly Drawer Back Panel and Side Panels.



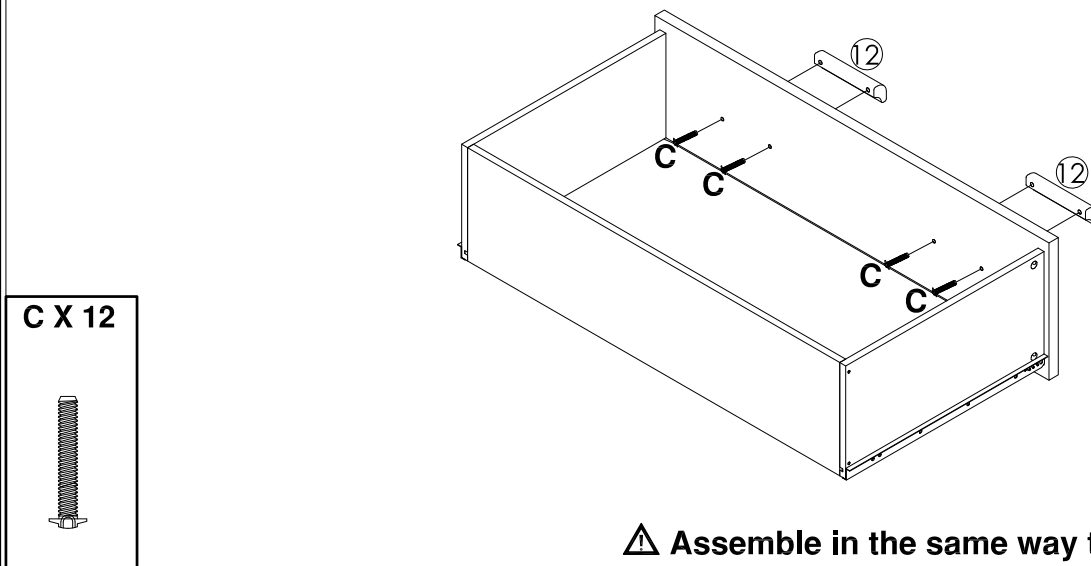
Step 3: Insert the Drawer Bottom.



Step 4: Assembly Drawer Panel.



Step 5: Install Handles.

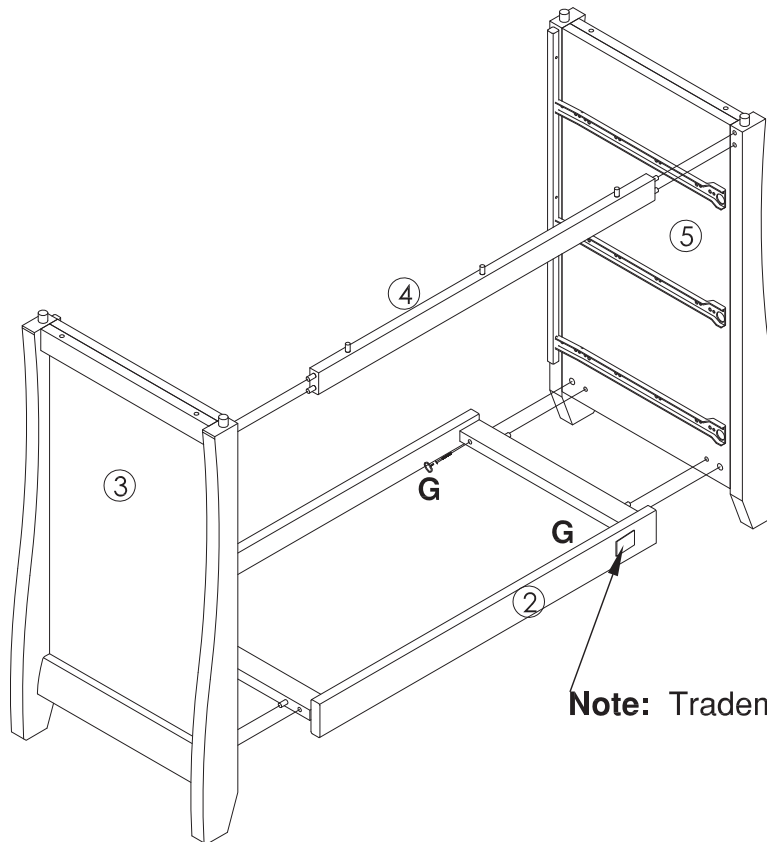


⚠ Assemble in the same way the other two Drawers.

ASSEMBLY INSTRUCTIONS

Step 6: Install the Side Panels and Base Panel.

First, Connect the base panel ② to side panels ③ ⑤ with 4 × G screws (Do not tighten). Then, place the crosspiece ④ above the two side panels ③ ⑤. after that, Fasten the screws on the base panel ② (do not overtighten).

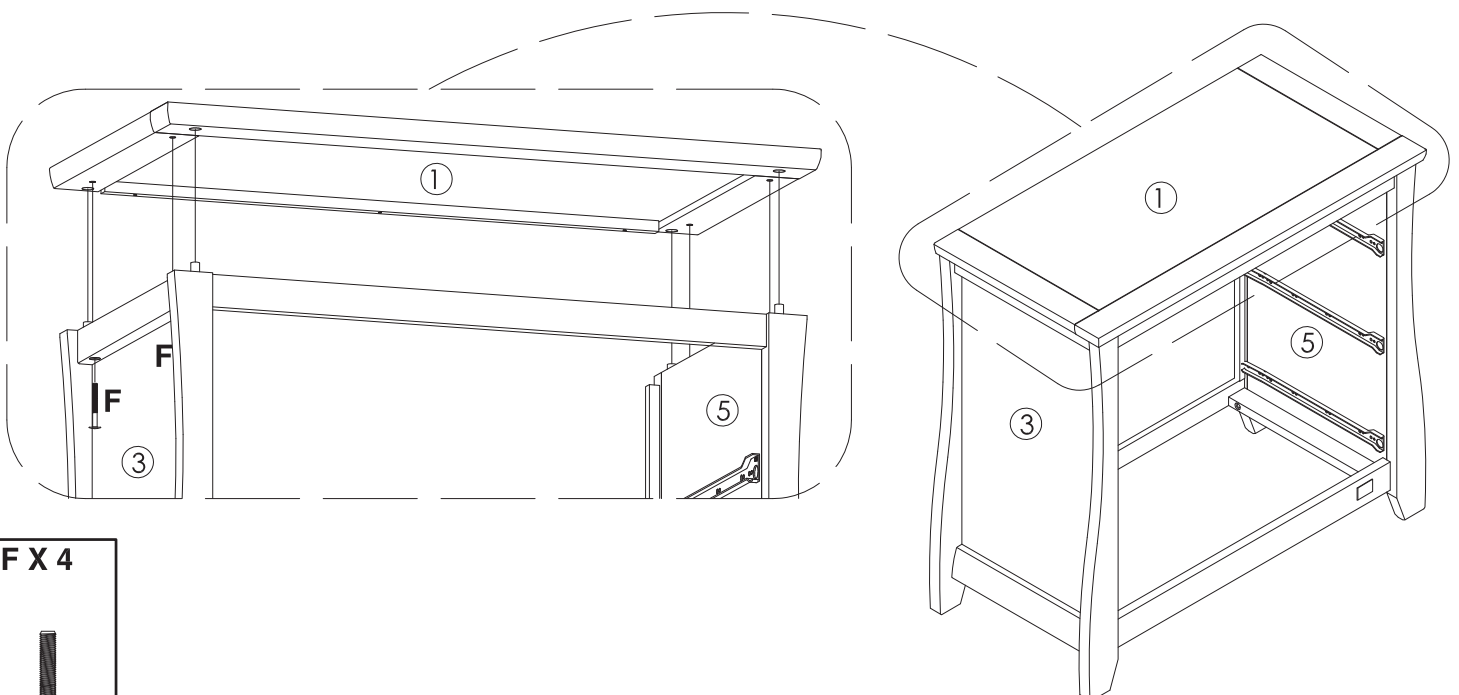


G X 4



Note: Trademark direction.

Step 7: Install the Top Panel.

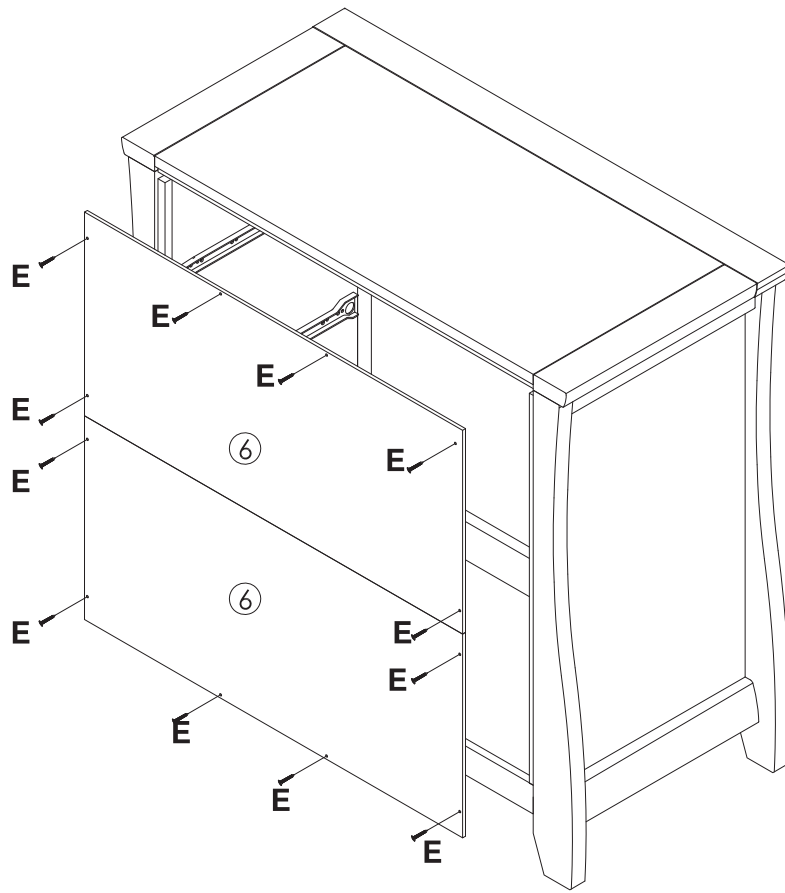


F X 4

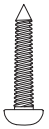


ASSEMBLY INSTRUCTIONS

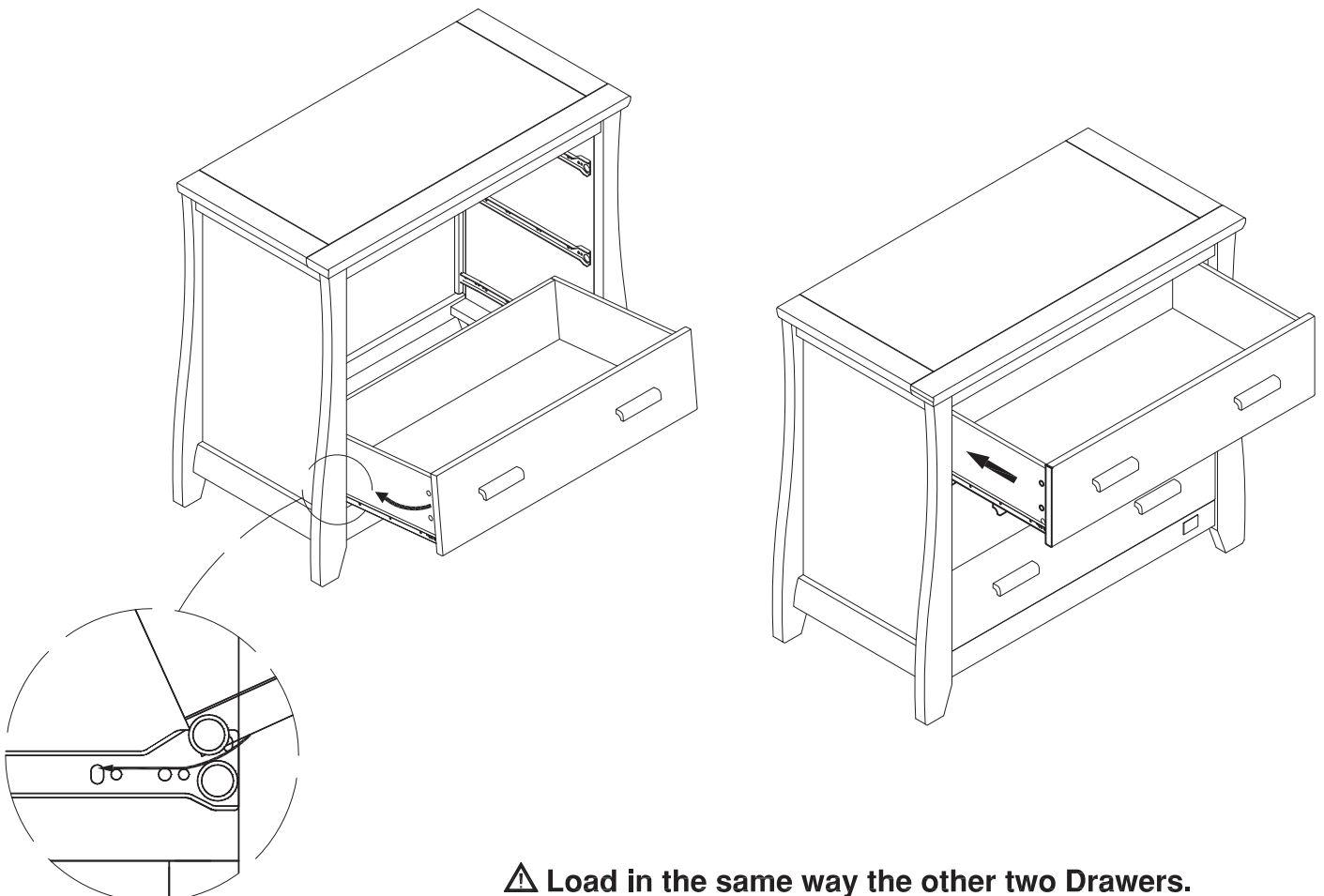
Step 8: Install the Back Panels.



EX12



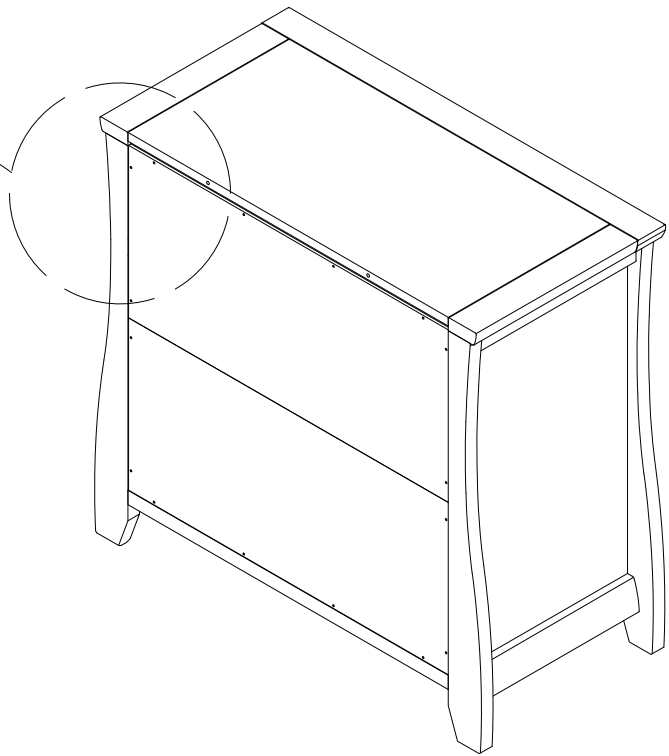
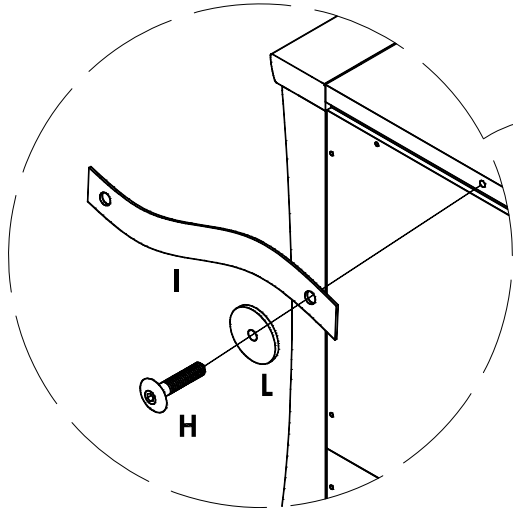
Step 9: Drawers loaded into the chest.



⚠ Load in the same way the other two Drawers.

ASSEMBLY INSTRUCTIONS

Step 10: Install wall Strap.



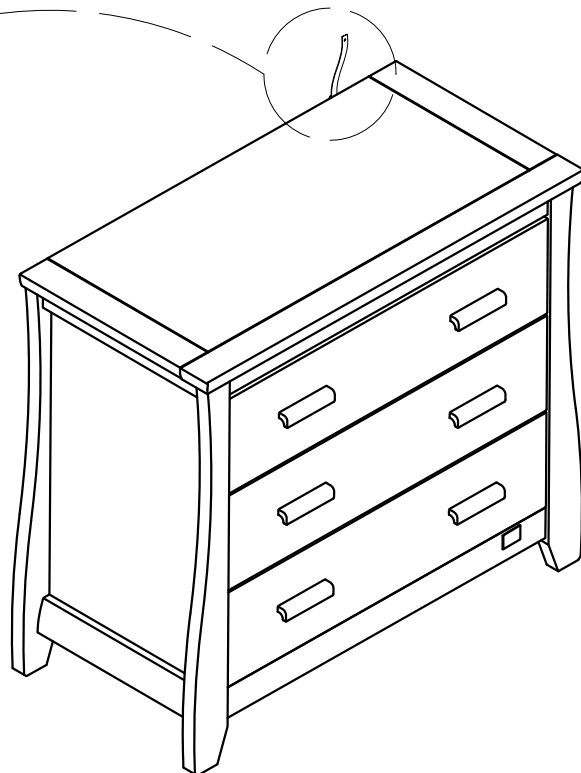
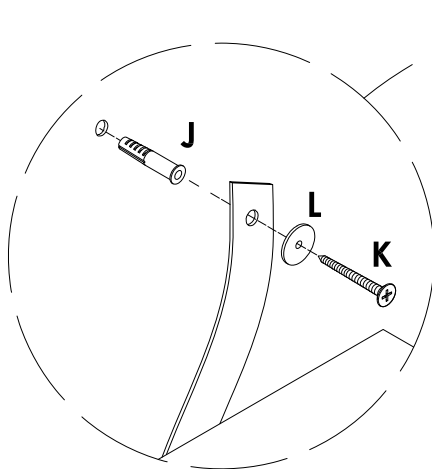
HX1

IX1

LX1



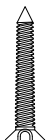
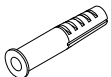
Step 11: Fix to the wall.



JX1

KX1

LX1



⚠ Place the assembled furniture adjacent to the wall and fix to the wall using the appropriate screw for that wall type. If you are in any doubt about the correct type of fittings to use, please seek professional advice.