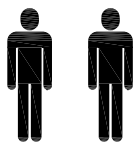
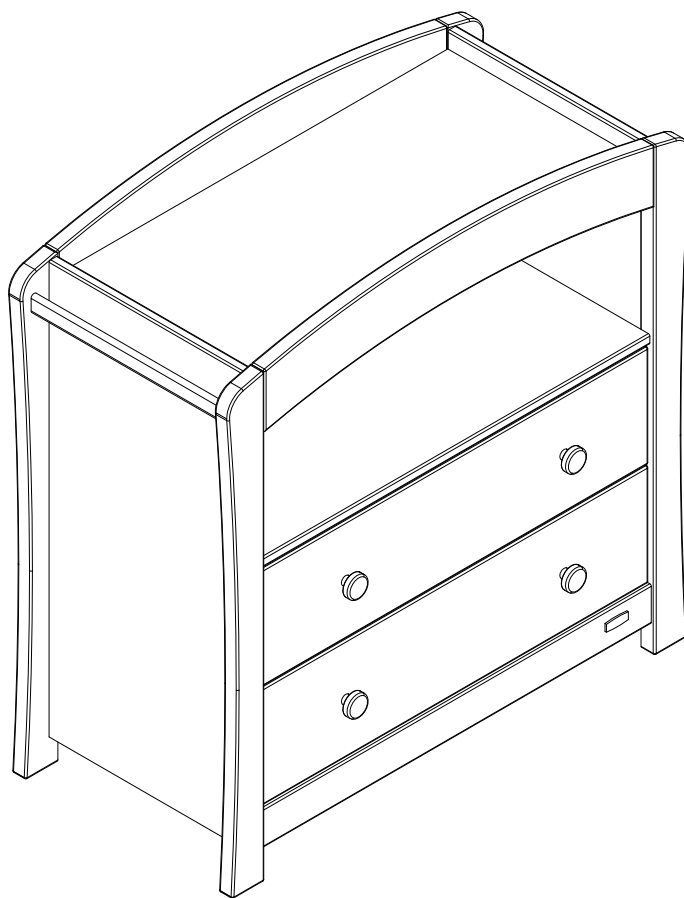




Boori Urbane Sunshine 2 Drawer Dresser

Assembly Instructions



IMPORTANT:
THE ASSEMBLY OF THIS PRODUCT
REQUIRES TWO PEOPLE

IMPORTANT:
PLEASE READ THE INSTRUCTIONS CAREFULLY AND KEEP FOR FUTURE REFERENCE

Read all instructions BEFORE assembly and USE of product. KEEP INSTRUCTIONS FOR FUTURE USE

IMPORTANT, RETAIN FOR FUTURE REFERENCE PLEASE READ CAREFULLY

Boori Australia Pty Ltd
18-20 Charles Street
St.Marys Sydney NSW
2760 Australia
Ph: (61 2) 9833 3769
Fax: (61 2) 9673 4240
www.boori.com.au

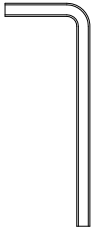


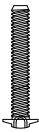
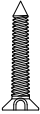
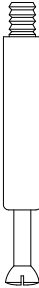
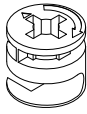


Boori (UK) Ltd
Unit 1, Transigo
Gables Way
Thatcham, RG19 4ZA
Ph: (44) 016 3529 5670
Fax: (44) 016 3587 7552
www.boori.co.uk

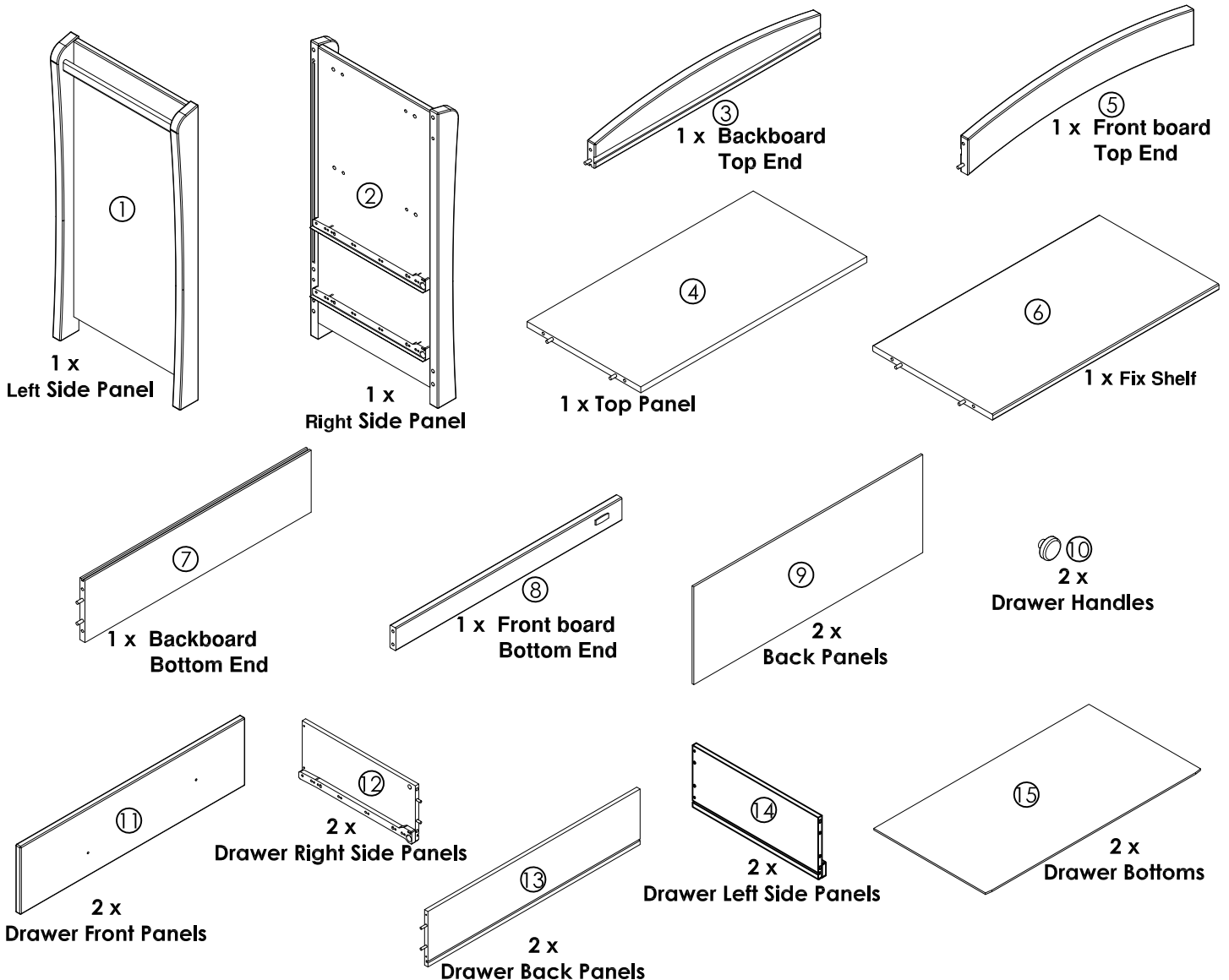
Boori USA LLC
20 Chapin Road, Suite 1001
Po Box 406
Pine Brook, NJ 07058
Ph: +1 973 577 6933
Fax: +1 973 577 6934
www.boori.com

ブーリジャパン株式会社
〒541-0057 大阪市中央区北久宝寺町
4丁目2-10
Tel: 06-4963-3939
Fax: 06-4963-3900
www.boori.jp

Instructions for Boori Urbane Sunshine 2 Drawer Dresser (BUE-2D)

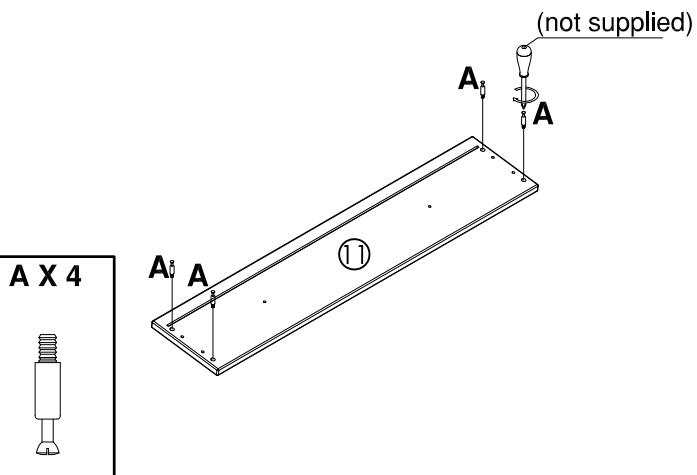
Hardware and Parts List

1 x Allen Key	8 x Connecting bolts	8 x Excenter fittings	4 x 30mm Connecting bolts	8 x 30mm Self tapping screws	20 x Connecting bolts	20 x Excenter fittings	1 x 16mm Connecting bolts	1 x Wall strap
	A  Actual size	B  Actual size	C 	D 	E  Actual size	F  Actual size	G 	H 

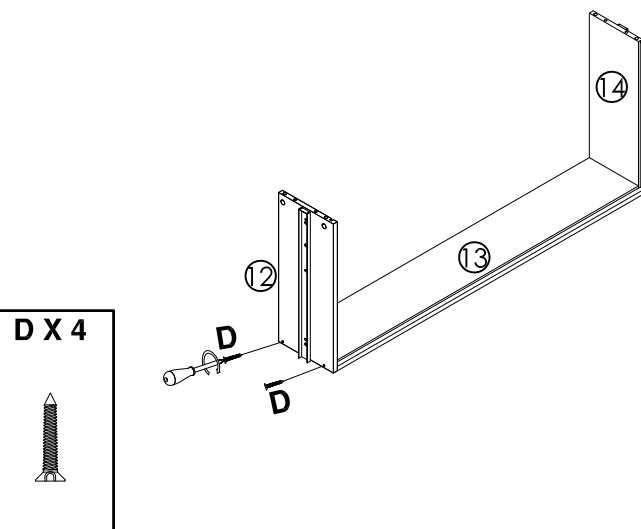


ASSEMBLY INSTRUCTIONS

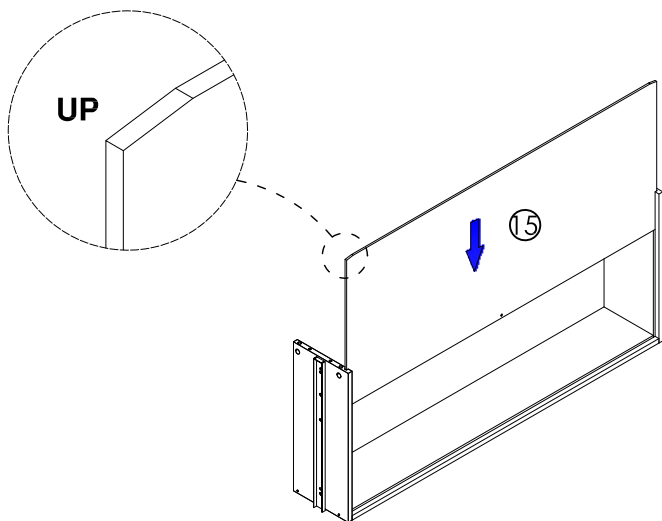
Step 1: Screws into the **Drawer Front Panel**.



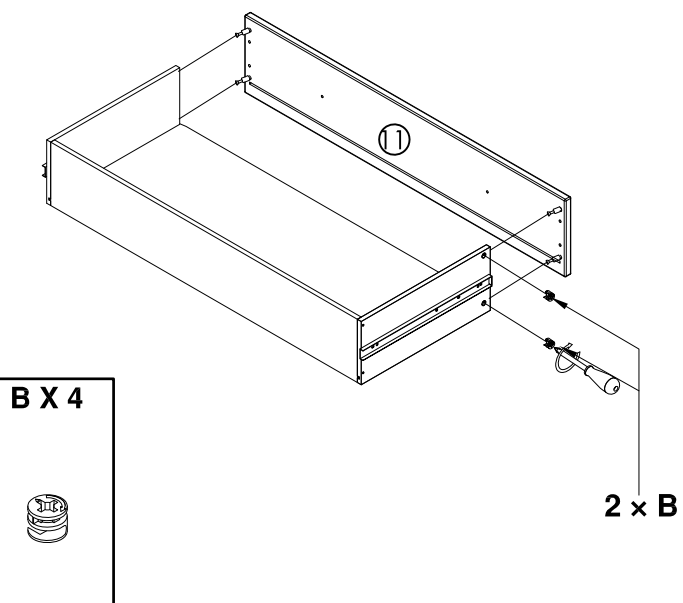
Step 2: Assemble **Drawer Back Panel** and **Side Panels**.



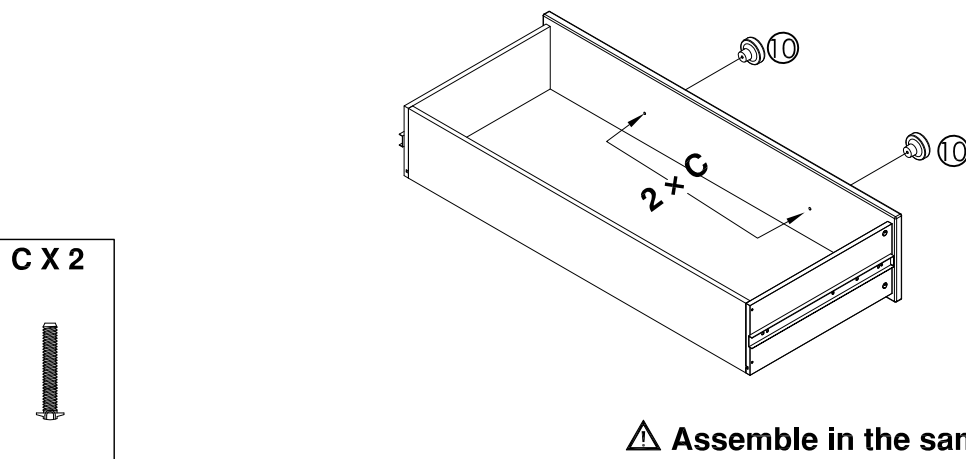
Step 3: Insert the **Drawer Bottom**.



Step 4: Assemble **Drawer Front Panel**.



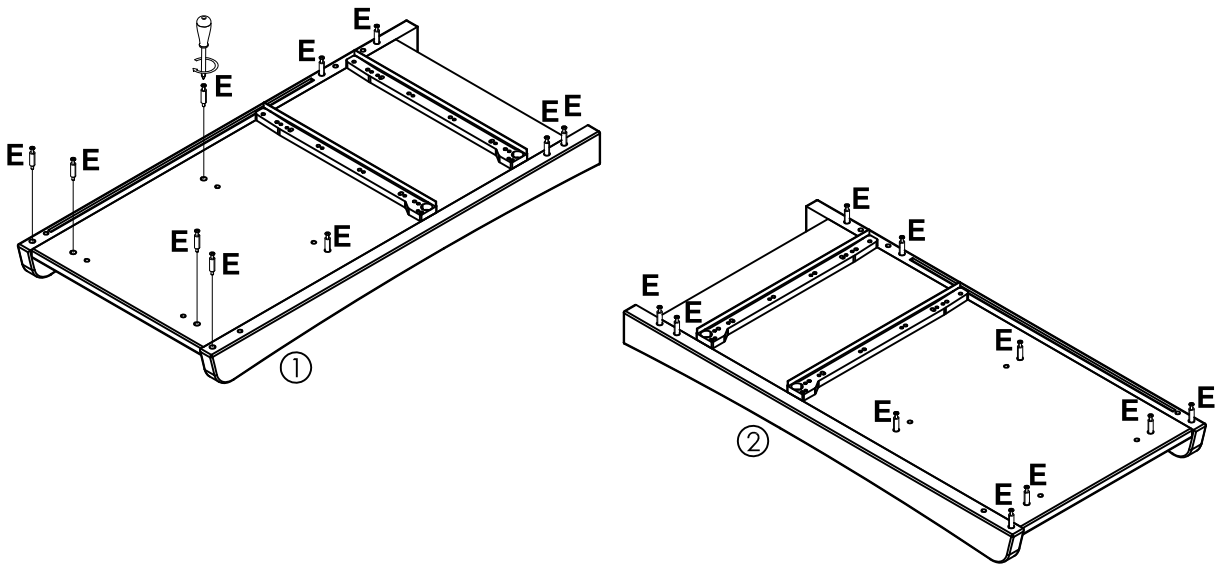
Step 5: Install **Handle**.



⚠ Assemble in the same way the other Drawer.

ASSEMBLY INSTRUCTIONS

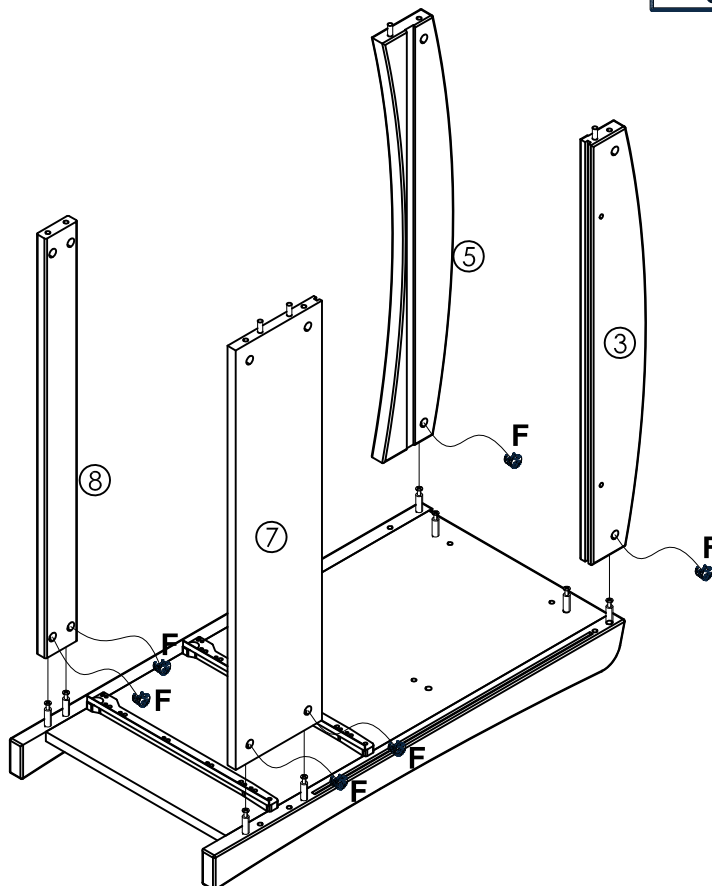
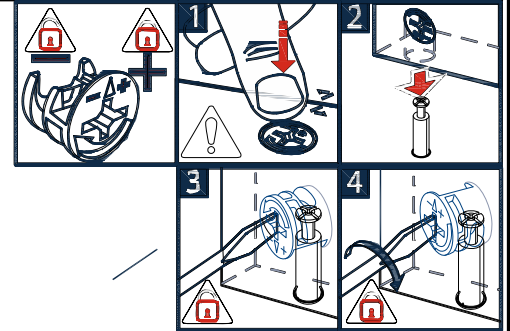
Step 6: Install bolts to the side panels.



E X 20



Step 7: Install the **Top Panel**③, the **Front board Top End**⑤, the **Backboard Bottom End**⑦, the **Front board Bottom End**⑧.

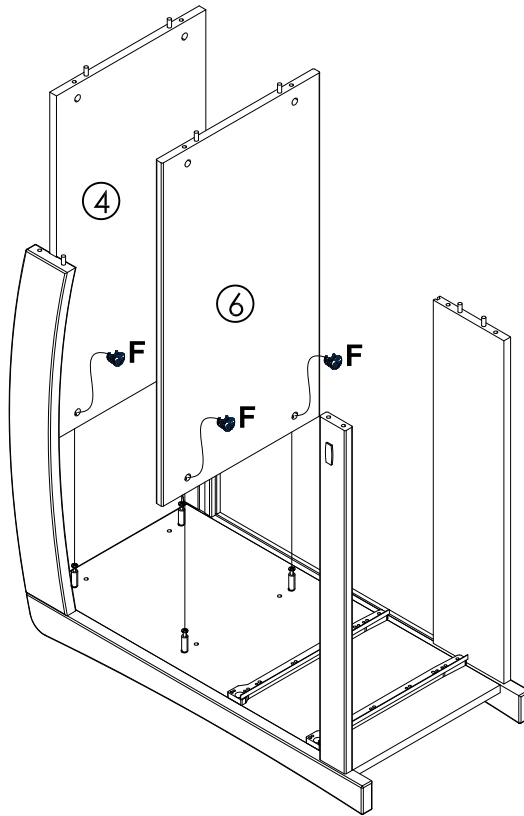


F X 6



ASSEMBLY INSTRUCTIONS

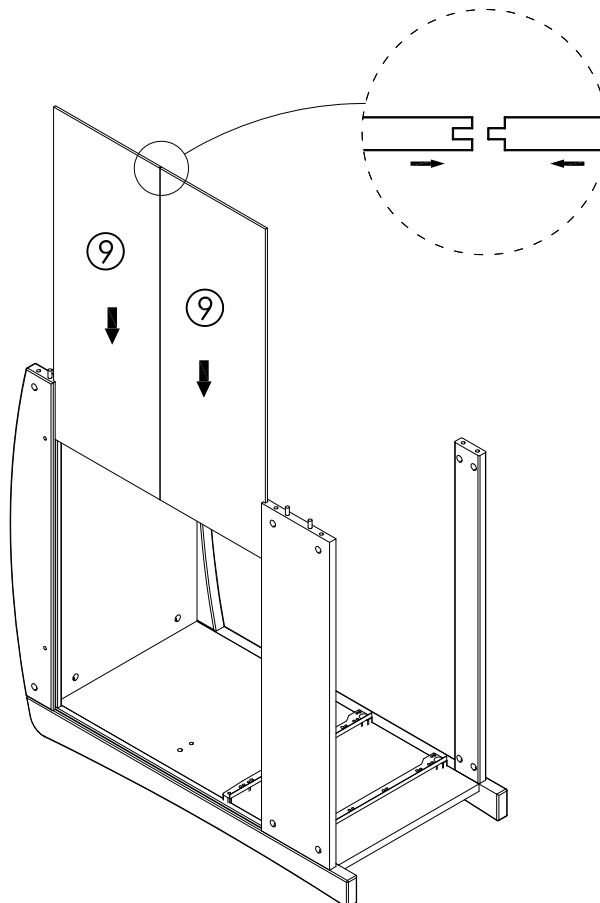
Step 8: Install the **Top Panel**④, the **Fix Shelf**⑥.



F X 4

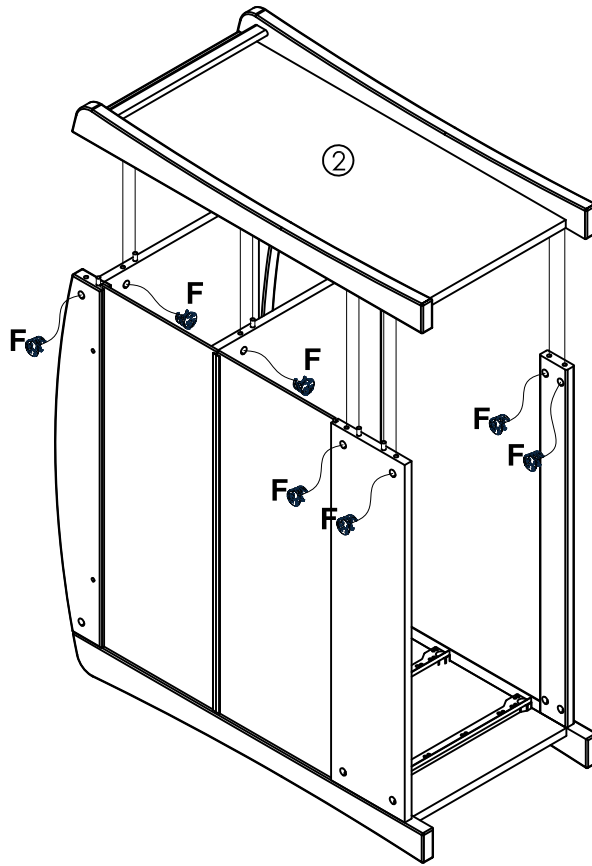


Step 9: Install the **Back Panels**⑨.



ASSEMBLY INSTRUCTIONS

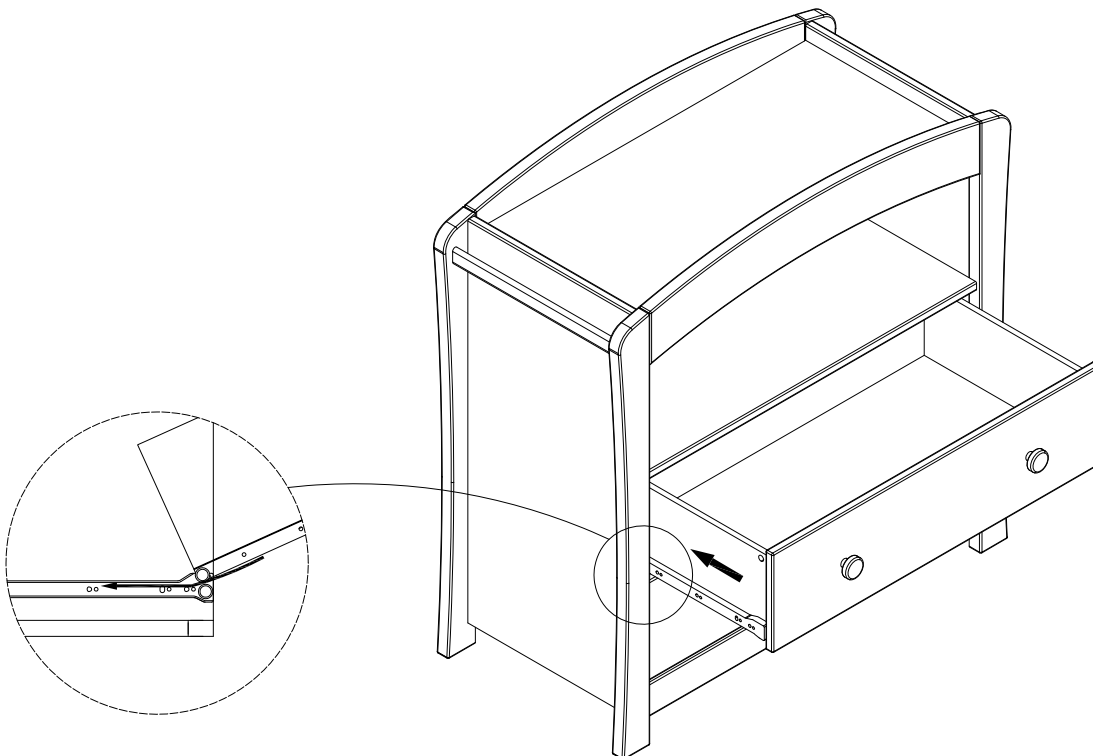
Step 10: Install the **Side Panel**②.



F X 10

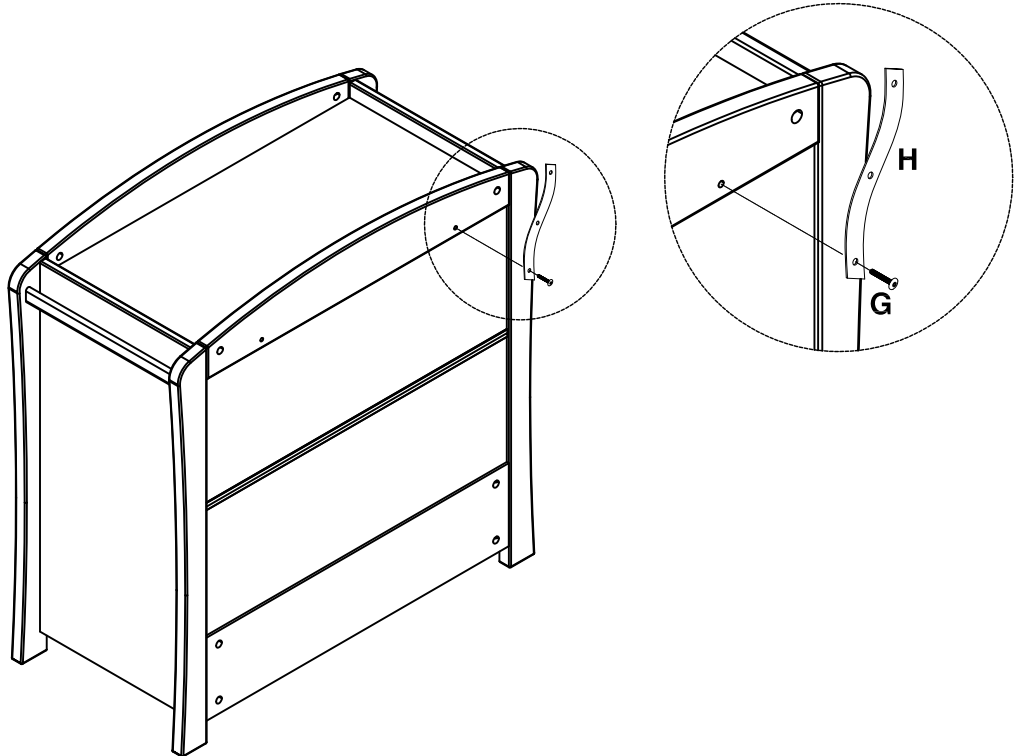


Step 11: Insert **Drawers** into the chest.

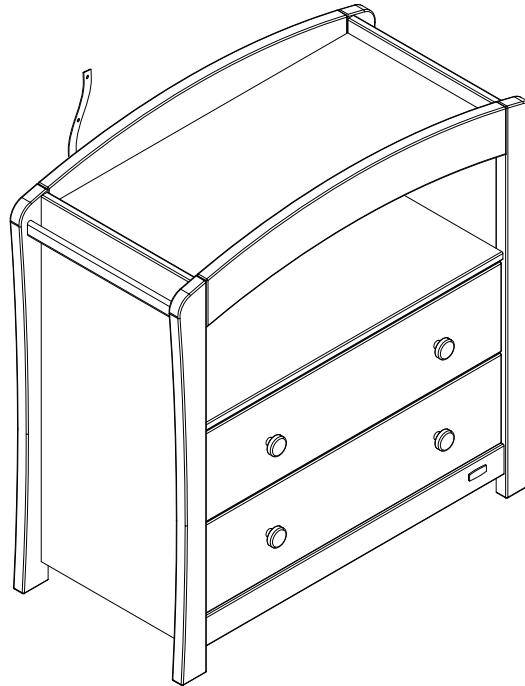


ASSEMBLY INSTRUCTIONS

Step 12: Install Wall Strap.



Step 13: Fix to the wall.



⚠ Place the furniture in its assembled form, adjacent to the wall, and fix to the wall, using fittings appropriate for that wall. If you are in any doubt about the correct type of fittings to use, seek professional advice.

Maintenance of your Boori Country Furniture

- * TO CLEAN YOUR FURNITURE USE A SOFT CLOTH DAMPENED WITH WATER
- * DO NOT USE STRONG HOUSEHOLD CLEANERS
- * AVOID CONTACT WITH SHARP OBJECTS
- * WHEN MOVING YOUR FURNITURE DO NOT DRAG, ALWAYS LIFT AND PLACE IN POSITION