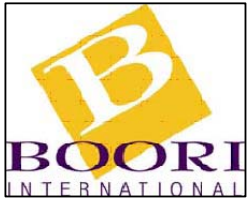


Read all instructions BEFORE assembly and USE of product. KEEP INSTRUCTIONS FOR FUTURE USE

IMPORTANT, RETAIN FOR FUTURE REFERENCE
PLEASE READ CAREFULLY



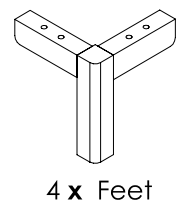
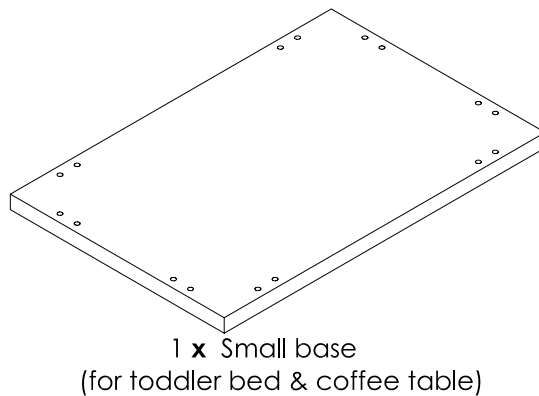
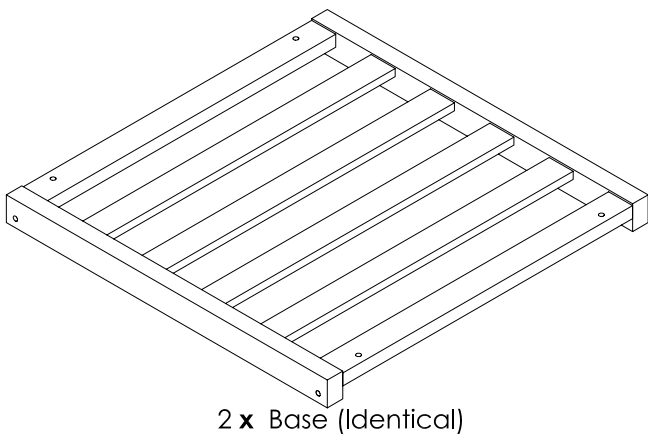
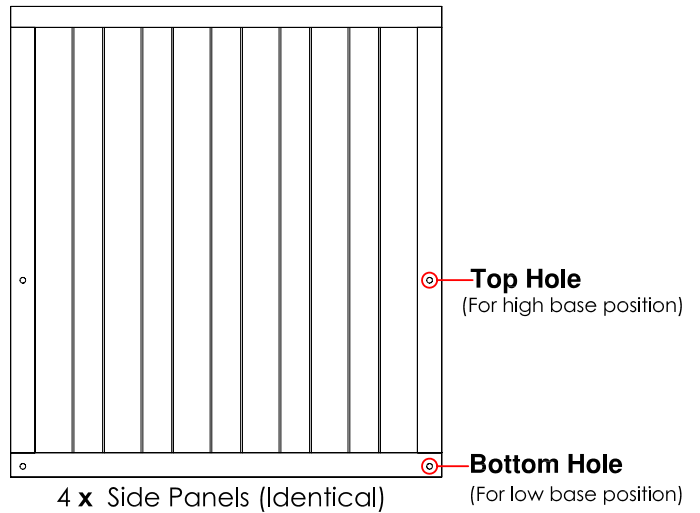
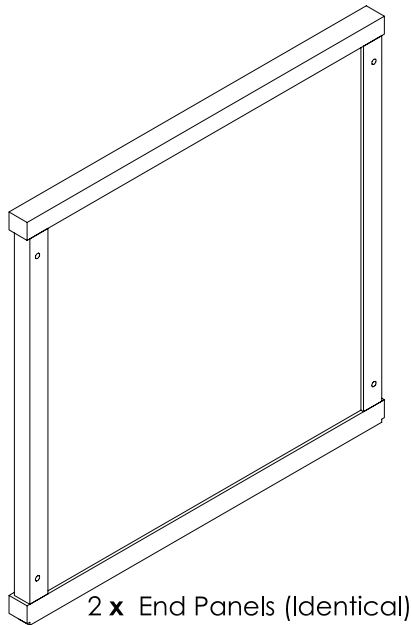
Boori International
 AUSTRALIA
 27-37 Vallance Street
 St. Marys NSW
 2760 Australia
 Ph: 02 9833 3769 Fax: 02 9673 4240

Boori UK Limited
 UNITED KINGDOM
 Wells house. Unit. 5
 Woolley Barns, Woolley
 Wantage, OX12 8TA UK
 Ph: 44 14 8863 9500 Fax: 44 14 8863 9505

Instructions for the Vivant Cot 5 in 1

Cot Hardware and parts list

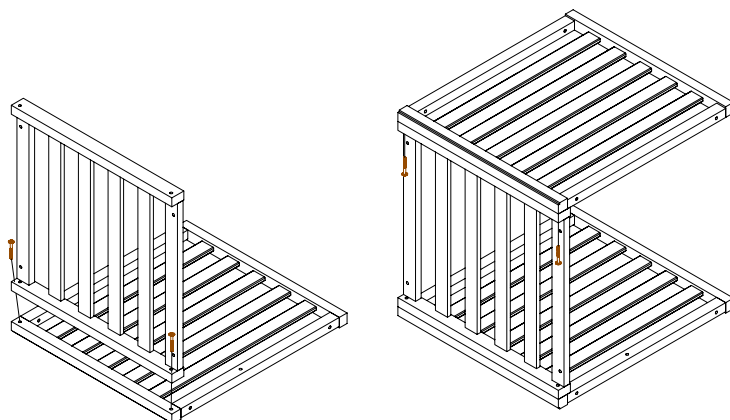
2 x Allen Keys	4 x Bed base support	8 x Wood dowels	8 x 18mm Connecting bolts	4 x Capping nuts	12 x Capping nuts	4 x Castor & sleeve	12 x 52mm Connecting bolts	16 x 54mm Connecting bolts
	A 	B 	C 	D 	E 	F 	G 	H
			Actual size				Actual size	Actual size



Assembly as a Cot:

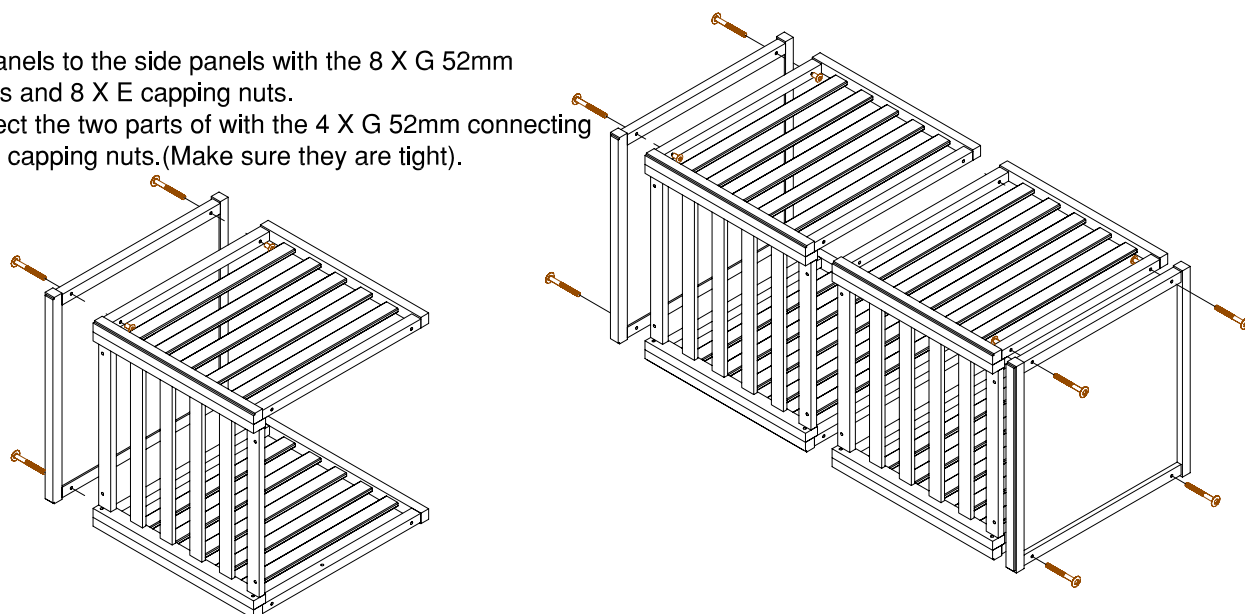
Stage 1:

Lay the side panels flat onto floor.
Then connect two base to the four side panels with the 8 X H 54mm connecting bolts provided. (Make sure they are tight) .



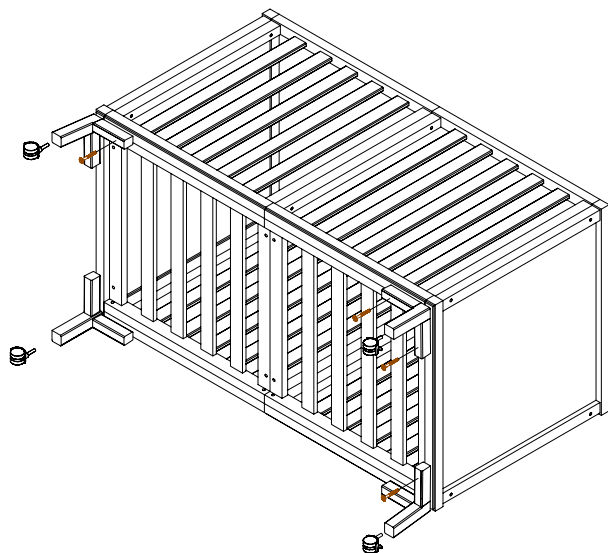
Stage 2:

Connect end panels to the side panels with the 8 X G 52mm connecting bolts and 8 X E capping nuts.
And then connect the two parts of with the 4 X G 52mm connecting bolts and 4 X E capping nuts. (Make sure they are tight).

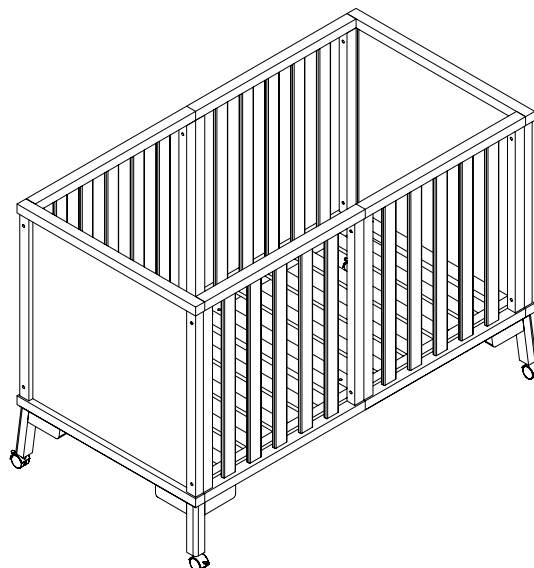


Stage 3:

Connect the feet to the end panels & the side panels with the 8 X H 54mm connecting bolts provided. (Must insert 8 X B wood dowels into holes on the feet) .
Gently hammer in 4 X F castor sleeves into the castor sleeve holes at the feet and then push in 4 X F castors.



After standing your cot upright push down onto the corners to make sure castors click into places.

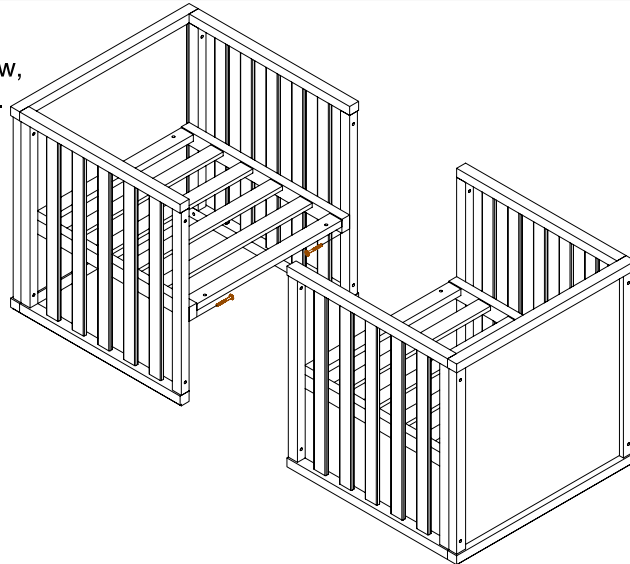




Assembly as a Toddler bed:

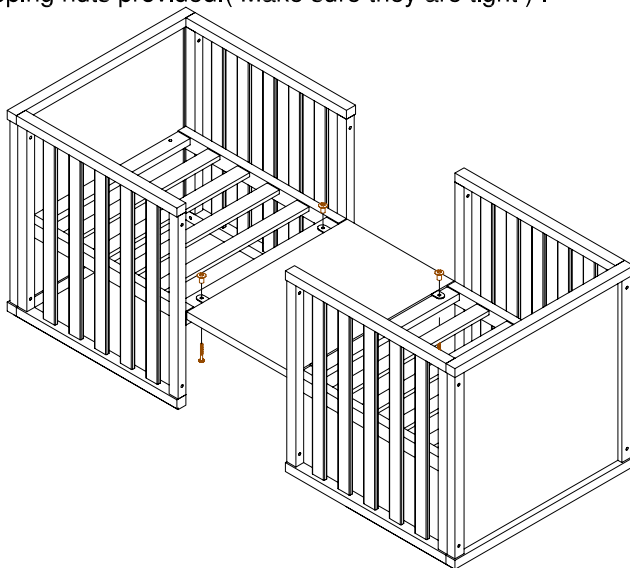
Stage 1:

Connect the two parts of the demolition of the screw, and then fitted the base to the upper floor location .

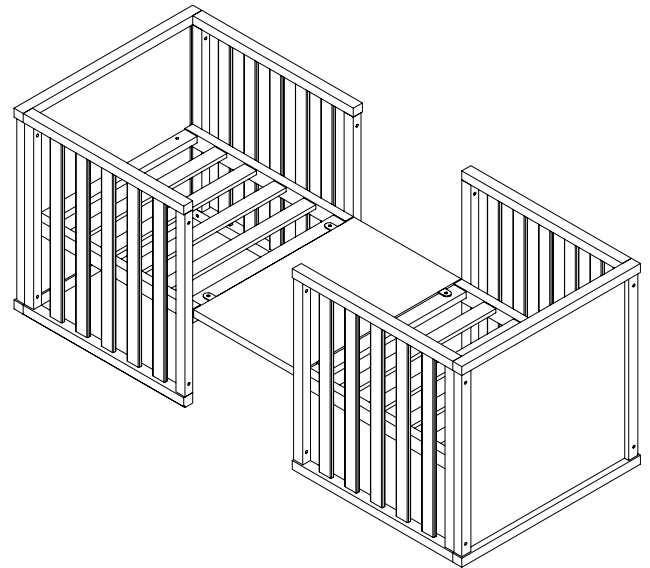


Stage 2:

Then connect the small base to the tow base with the 4 X A bed base support & 8 X C 18 mm connecting bolts and 4 X D capping nuts provided.(Make sure they are tight) .



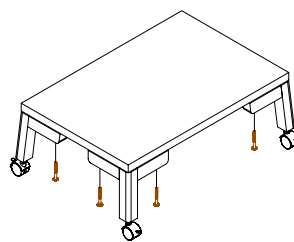
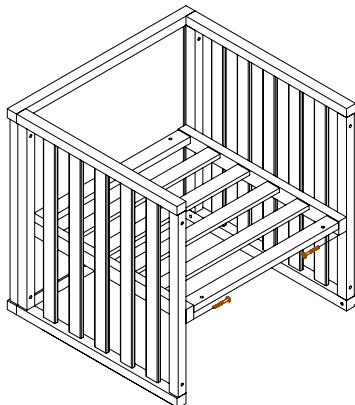
Toddler bed



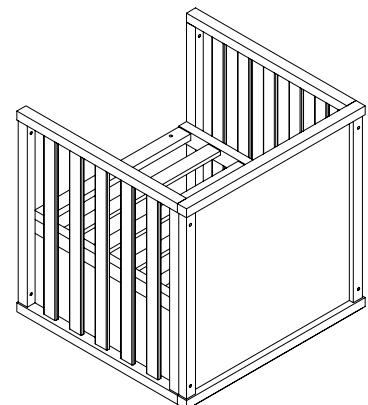
Stage 3:

converting to tow arm chair & coffee table

A: Remove the small base.



B: Connect the four feet to the small base with the 4 X H 54 mm connecting bolts and 8 X B wood dowels.(Make sure they are tight) .





Boori Country Cot assembly instructions

FOR AUSTRALIA AND NEW ZEALAND

(AS/NZS 2172:2003)

RECOMMENDED MATTRESS SIZE 1200mm X 600mm X 80mm

This cot has been manufactured for use with a mattress which measures 600mm wide by 1200mm long and a maximum thickness of 80mm. The width and length are specified because it is important that the gaps between the mattress sides and ends of the cot will not exceed 40mm. This is to minimise the risk of a child's limb becoming caught in the gap. The thickness of the mattress has been specified to ensure that the depth of the cot is greater than 500mm with the mattress base in the lower position to minimise the risk of a child climbing or falling out of the cot.

Warning:

- * **TO ENSURE THE SAFETY OF YOUR COT, REGULARLY CHECK ALL THE CONNECTING BOLTS AND GLIDE PINS MAKING SURE THEY ARE TIGHT.**
- * **TO PREVENT FALLS OR SUFFOCATION THE MAXIMUM MATTRESS THICKNESS SHOULD NOT EXCEED 80MM.**
- * **TO PREVENT FALLS, THE MATTRESS BASE OF THIS COT SHOULD BE ADJUSTED TO THE LOWEST POSITION BEFORE THE CHILD CAN SIT UP.**
- * Follow the manufacturer's assembly instructions in detail to ensure the safety features of the cot are not compromised.
- * Ensure the cot is placed at a reasonable distance from curtains, blinds, heaters and power points.
- * Keep cot free of any toys, cushions etc that could be used as a foothold or present a danger of suffocation or strangulation.
- * Keep medication, String, elastic or small items such as money out of reach from any position in the cot.

FOR THE UK

(EN 716-2008)

RECOMMENDED MATTRESS SIZE 1200mm X 600mm x 80mm

If you leave the child unattended in the cot, always make sure that the drop side is in the highest position.

This cot has been manufactured for use with a mattress which measures 600mm wide by 1200mm long and a maximum thickness of 80mm. The width and length shall be such that the gap between the mattress and the sides and ends does not exceed 30mm. The thickness of the mattress has been specified to ensure that the depth of the cot is greater than 500mm with the mattress base in the lower position and 200mm with the mattress in the highest position to minimise the risk of a child climbing or falling out of the cot.

Warning:

- * **TO ENSURE THE SAFETY OF YOUR COT, REGULARLY CHECK ALL THE CONNECTING BOLTS AND GLIDE PINS MAKING SURE THEY ARE TIGHT, CARE SHOULD BE TAKEN THAT NO SCREWS ARE LOOSE BECAUSE A CHILD COULD TRAP PARTS OF THE BODY OR CLOTHING (EG. Strings, necklaces, ribbons for babies dummies), WHICH WOULD POSE A RISK OF STRANGULATION.**
- * **TO PREVENT FALLS, THE MAXIMUM MATTRESS THICKNESS SHOULD NOT EXCEED 80MM.**
- * **TO PREVENT FALLS, THE MATTRESS BASE OF THIS COT SHOULD BE ADJUSTED TO THE LOWEST POSITION BEFORE THE CHILD CAN SIT UP.**
- * **TO PREVENT INJURY FROM FALLS THAT WHEN THE CHILD IS ABLE TO CLIMB OUT OF THE COT, THE COT SHALL NO LONGER BE USED FOR THAT CHILD.**
- * Be aware of the risk of open fire and other sources of strong heat, such as electric bar fires, gas fires, etc. in the near vicinity of the cot.
- * Do not use the cot if any part is broken, torn or missing and use only spare parts approved by the manufacturer.
- * Do not leave anything in the cot or place the cot close to another product, which could provide a foothold or present a danger of suffocation or strangulation, e.g. strings, blind/curtain cords, etc.
- * Do not use more than one mattress in the cot.



Boori Country Cot/ Bed assembly instructions

FOR THE U.S.A.

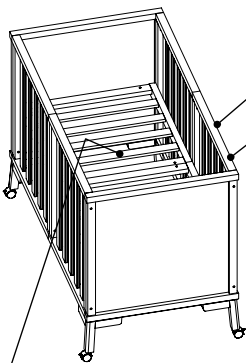
(ASTM F 406-08a)

RECOMMENDED MATTRESS SIZE 47 $\frac{1}{4}$ in (1200mm) X 23 $\frac{1}{4}$ in (600mm) X 3 $\frac{1}{4}$ in (80mm)

This cot has been manufactured for use with a mattress which measures 23 $\frac{1}{4}$ in (600mm) wide by 47 $\frac{1}{4}$ in (1200mm) long and a maximum thickness of 3 $\frac{1}{4}$ in (80mm). The width and length are specified because it is important that the gaps between the mattress sides and ends of the cot will not exceed 1 $\frac{1}{5}$ in (30mm). This is to minimise the risk of a child's limb becoming caught in the gap. The thickness of the mattress has been specified to ensure that the depth of the cot is greater than 19 $\frac{3}{4}$ in (500mm) with the mattress base in the lower position to minimise the risk of a child climbing or falling out of the cot.

Warning:

- * The product, including side rails, must be fully erected prior to use.
- * Strings can cause strangulation!! Never place items with a string around a child's neck such as hood strings or pacifier cords. Never suspend strings over product or attach strings to toys.
- * Discontinue use of the product when child is able to climb out or reaches the height of 35 in. (890mm)
- * When child is able to pull to standing position, set mattress/base to lowest adjustment position and remove bumper pads, large toys, and other objects that could serve as steps for climbing out.
- * Never place product near a window where cords from blinds or drapes can strangle a child.
- * Use ONLY mattress/pad provided by BOORI INTERNATIONAL (which must be at least 23 $\frac{1}{4}$ in. long by 47 $\frac{1}{4}$ in. wide and not more than 3 $\frac{1}{4}$ in. thick).
- * Always provide the supervision necessary for the continued safety of your child. When used for playing, never leave child unattended.
- * To reduce the risk of SIDS, pediatricians recommend healthy infants be placed on their back to sleep, unless otherwise advised by your physician.
- * Never use this product if there are any loose or missing fasteners, loose joints, broken parts, or torn mesh/fabric. Check before assembly and periodically during use. Contact BOORI INTERNATIONAL for replacement parts. Never substitute parts.
- * Never leave child in product with side lowered. Be sure side is in raised and locked position whenever child is in product.
- * Never use plastic shipping bags or other plastic film as mattress covers not sold and intended for that purpose. They can cause suffocation.



 **WARNING**
See the cot base for warnings.

 **WARNING**
Infants can suffocate
• In gaps between a mattress too small or too thick and product sides
• On soft bedding
NEVER add a mattress, pillow, comforter, or padding.

MADE IN CHINA BY BOORI INTERNATIONAL

RECOMMENDED MATTRESS SIZE: 600mm WIDE x 1200mm LONG x 80mm THICK.



WARNING: TO PREVENT FALLS, THE MATTRESS THICKNESS SHOULD NOT EXCEED 80mm. TO PREVENT FALLS, THE MATTRESS BASE OF THIS COT SHOULD BE ADJUSTED TO THE LOWEST POSITION BEFORE THE CHILD CAN SIT UP. NEVER USE A WATER MATTRESS WITH THIS PRODUCT. FAILURE TO FOLLOW THESE WARNINGS AND THE INSTRUCTIONS COULD RESULT IN SERIOUS INJURY OR DEATH.