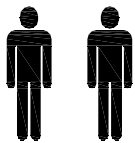
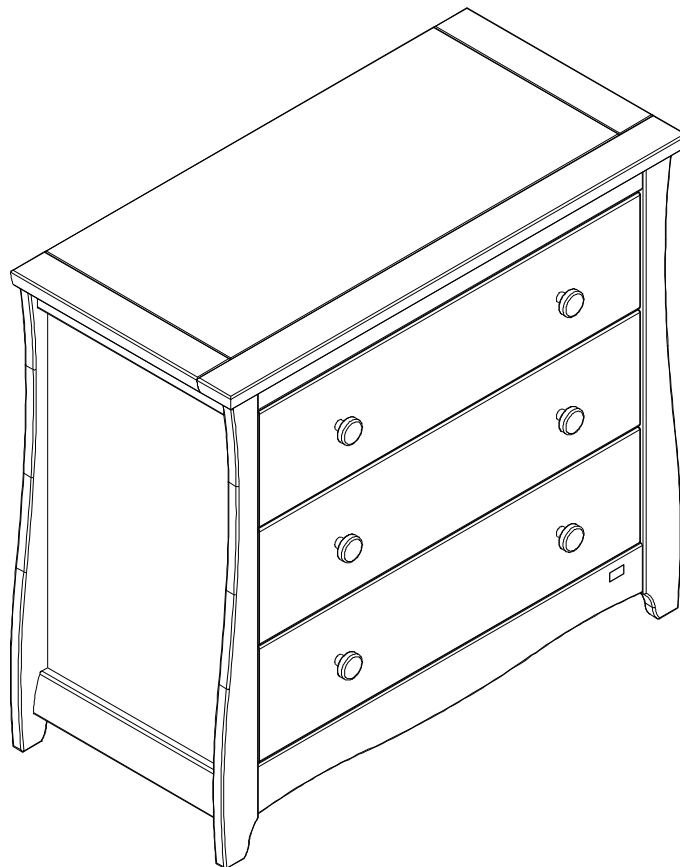




# Boori Urbane Trinity 3 Drawer Chest

## Assembly Instructions



**IMPORTANT:**  
THE ASSEMBLY OF THIS PRODUCT  
REQUIRES TWO PEOPLE

**IMPORTANT:**  
PLEASE READ THE INSTRUCTIONS CAREFULLY AND KEEP FOR FUTURE REFERENCE

Read all instructions BEFORE assembly and USE of the product. KEEP INSTRUCTIONS FOR FUTURE USE.

# \*IMPORTANT, RETAIN FOR FUTURE REFERENCE\* PLEASE READ CAREFULLY

Boori Australia Pty Ltd  
18-20 Charles Street  
St. Marys Sydney NSW  
2760 Australia  
Ph: 61 2 9833 3769  
Fax: 61 2 9673 4240

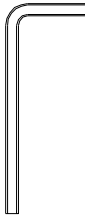

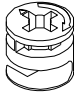
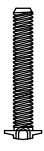
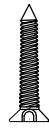
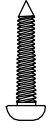


Boori (UK) Ltd  
Unit 1, Transigo  
Gables Way  
Thatcham  
RG19 4ZA  
Ph: (44) 016 3529 5670  
Fax: (44) 016 3587 7552

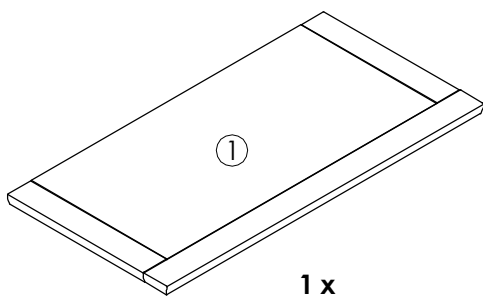
Boori USA LLC  
20 Chapin Road, Suite 1001  
Po Box 406  
Pine Brook, NJ 07058  
Ph: +1 973 577 6933  
Fax: +1 973 577 6934

Boori Japan Co.,Ltd  
401A, 4-2-10 Kitakyuhoji-machi,  
Chuo-ku, Osaka 541-0057 Japan  
Ph: 06-4963-3939  
Fax: 06-4963-3900  
E-mail: info@boori.co.jp

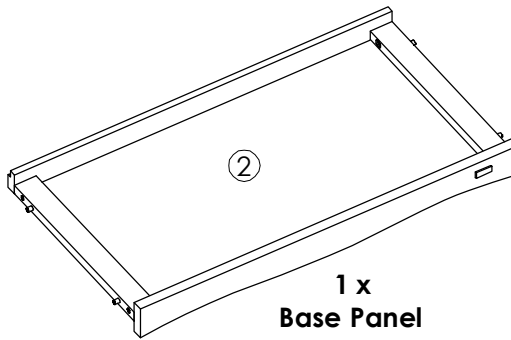
## Instructions for Boori Urbane Trinity 3 Drawer Chest (BU-T3D)

### Hardware and Parts List

1 x Allen Key	12 X Connecting bolts	12 X Excenter fittings	6 X 30mm Connecting bolts	12 X 30mm Self tapping screws	16 x 16mm Self tapping screws	4 X 60mm Connecting bolts	4 X 80mm Connecting bolts
	<b>A</b> 	<b>B</b> 	<b>C</b> 	<b>D</b> 	<b>E</b> 	<b>F</b> 	<b>G</b> 



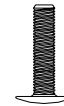
1 x  
Top Panel



1 x  
Base Panel

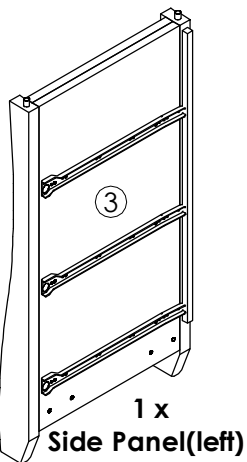
1 X 16mm Connecting bolts

**H**

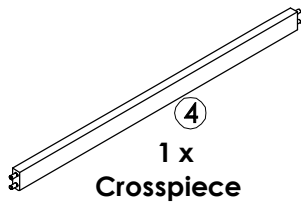


1 x Wall strap

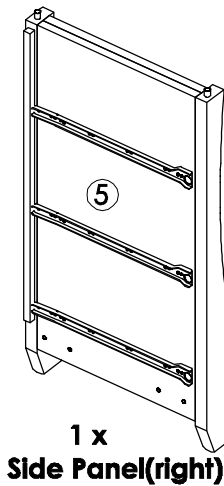
**I**



1 x  
Side Panel(left)

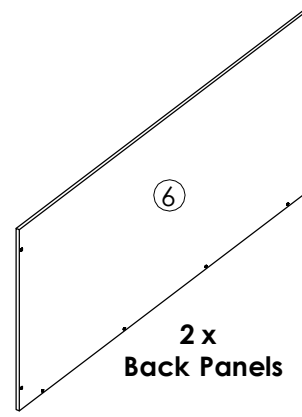


1 x  
Crosspiece

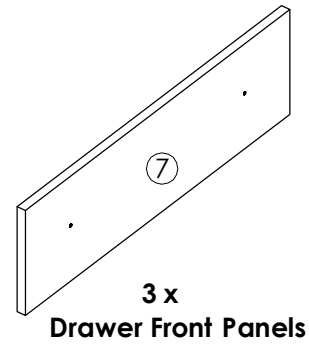


1 x  
Side Panel(right)

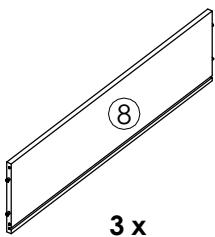
**NOTE:**  
Use only spare parts approved by the manufacturer.



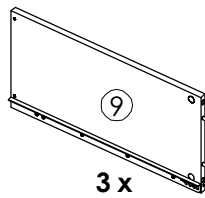
2 x  
Back Panels



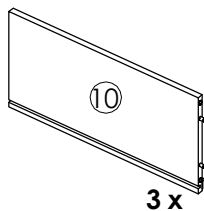
3 x  
Drawer Front Panels



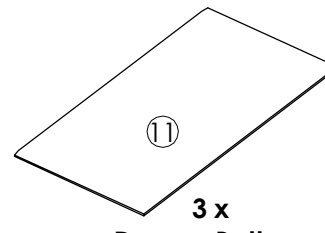
3 x  
Drawer Back Panels



3 x  
Drawer Side Panels(left)



3 x  
Drawer Side Panels(right)



3 x  
Drawer Bottoms

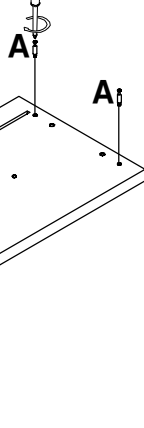


6 x  
Drawer Handles

# ASSEMBLY INSTRUCTIONS

**Step 1: Screws into the Drawer Panel.**

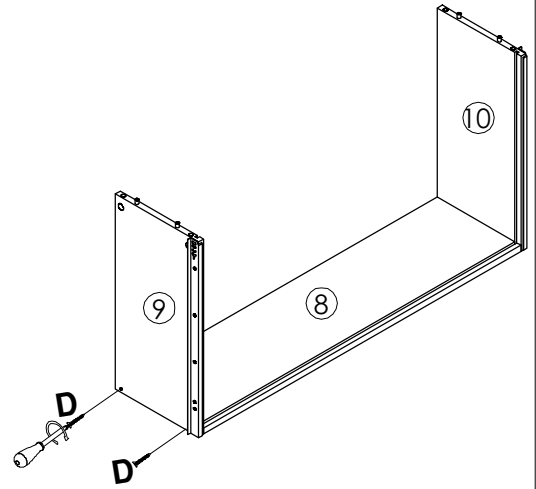
(Not supplied)



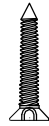
A X 12



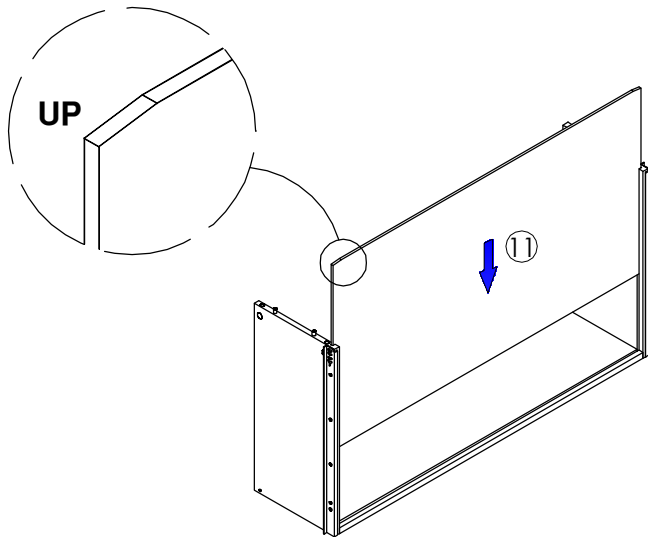
**Step 2: Attach the Drawer Back Panel and Side Panels.**



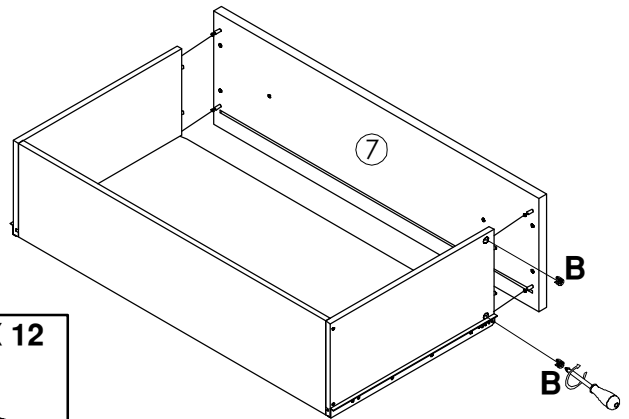
D X 12



**Step 3: Insert the Drawer Bottom.**



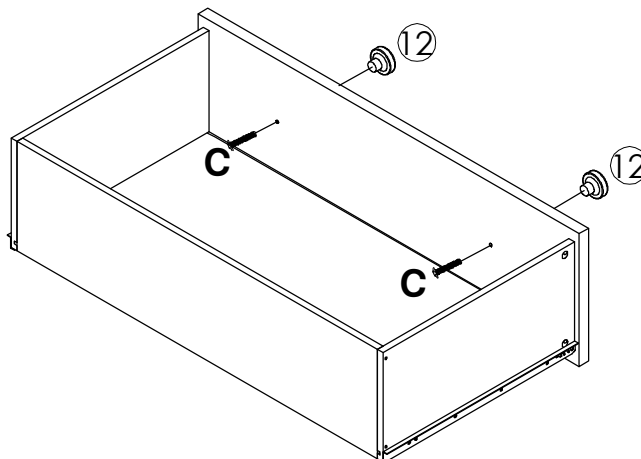
**Step 4: Attach the Drawer Panel.**



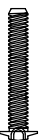
B X 12



**Step 5: Attach the Handles.**



C X 6

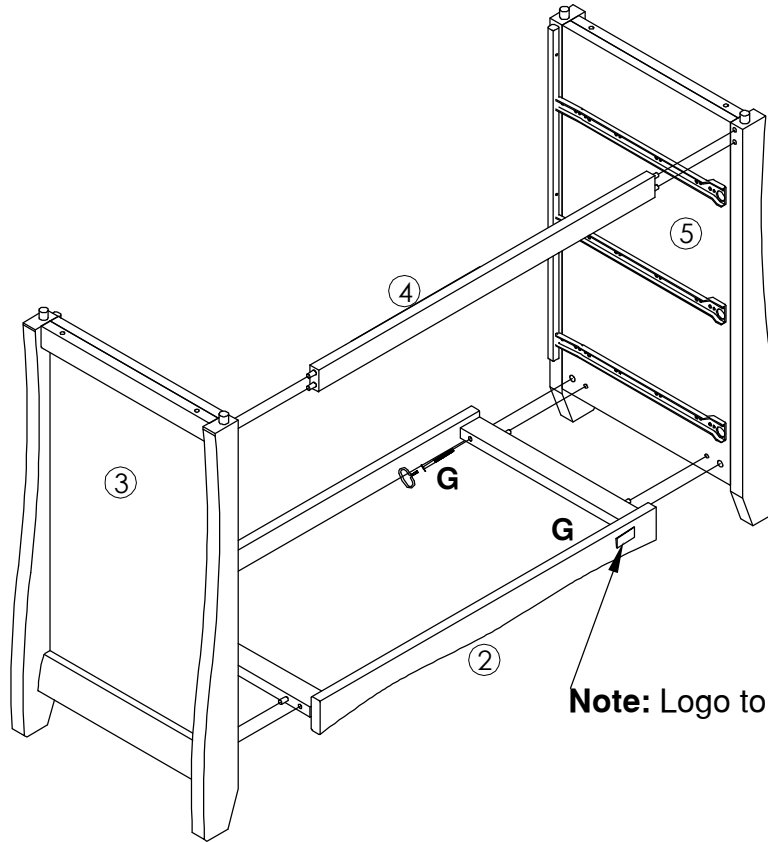


**⚠ Assemble the other two Drawers in the same way.**

# ASSEMBLY INSTRUCTIONS

## Step 6: Attach the Side Panel and Base Panel.

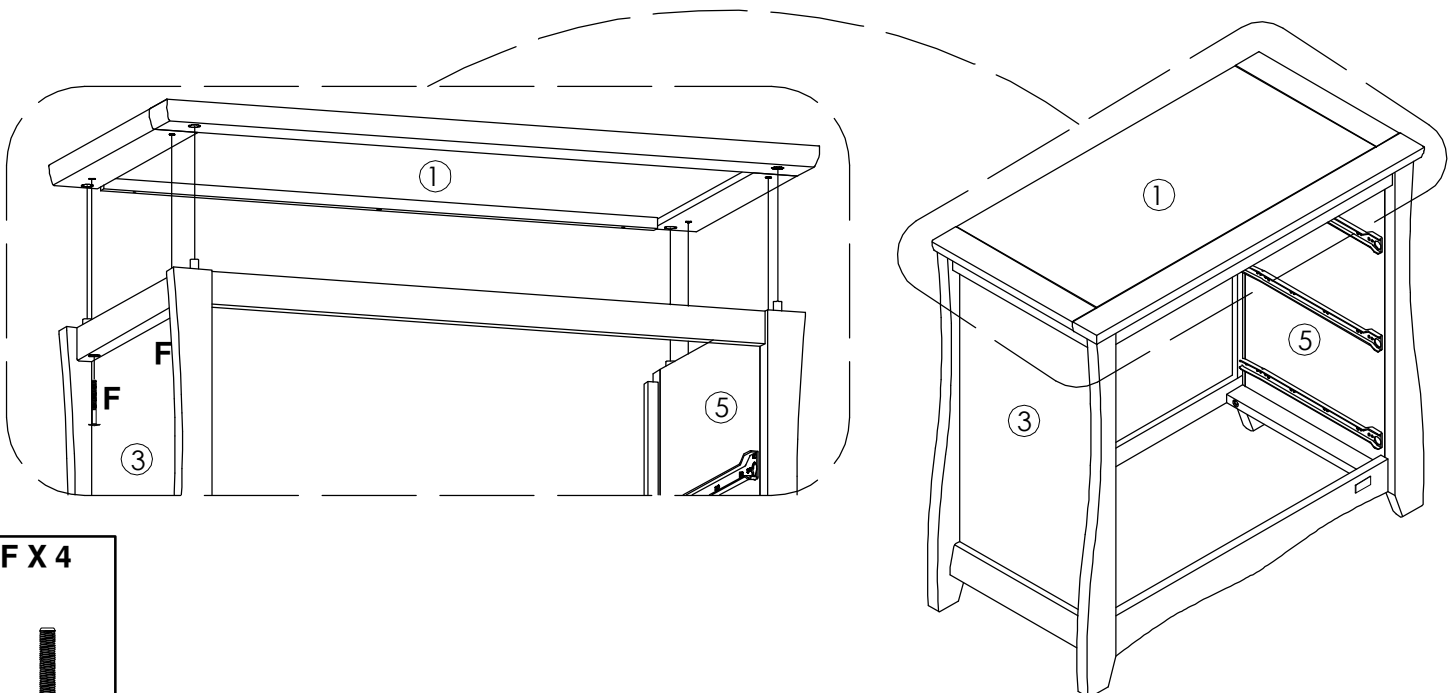
First, connect the base panel ② to side panels ③⑤ with 4 × G screws (Do not tighten). Then, place the crosspiece ④ above the two side panels ③⑤. Fasten the screws on the base panel ② (Do not overtighten).



G X 4



## Step 7: Attach the Top Panel.

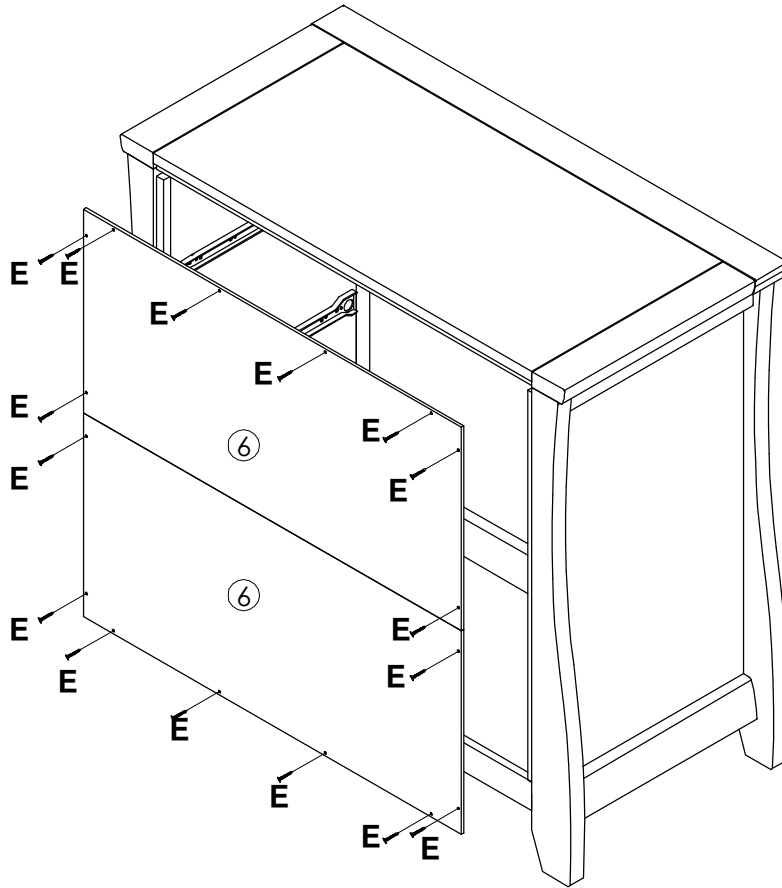


F X 4

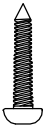


# ASSEMBLY INSTRUCTIONS

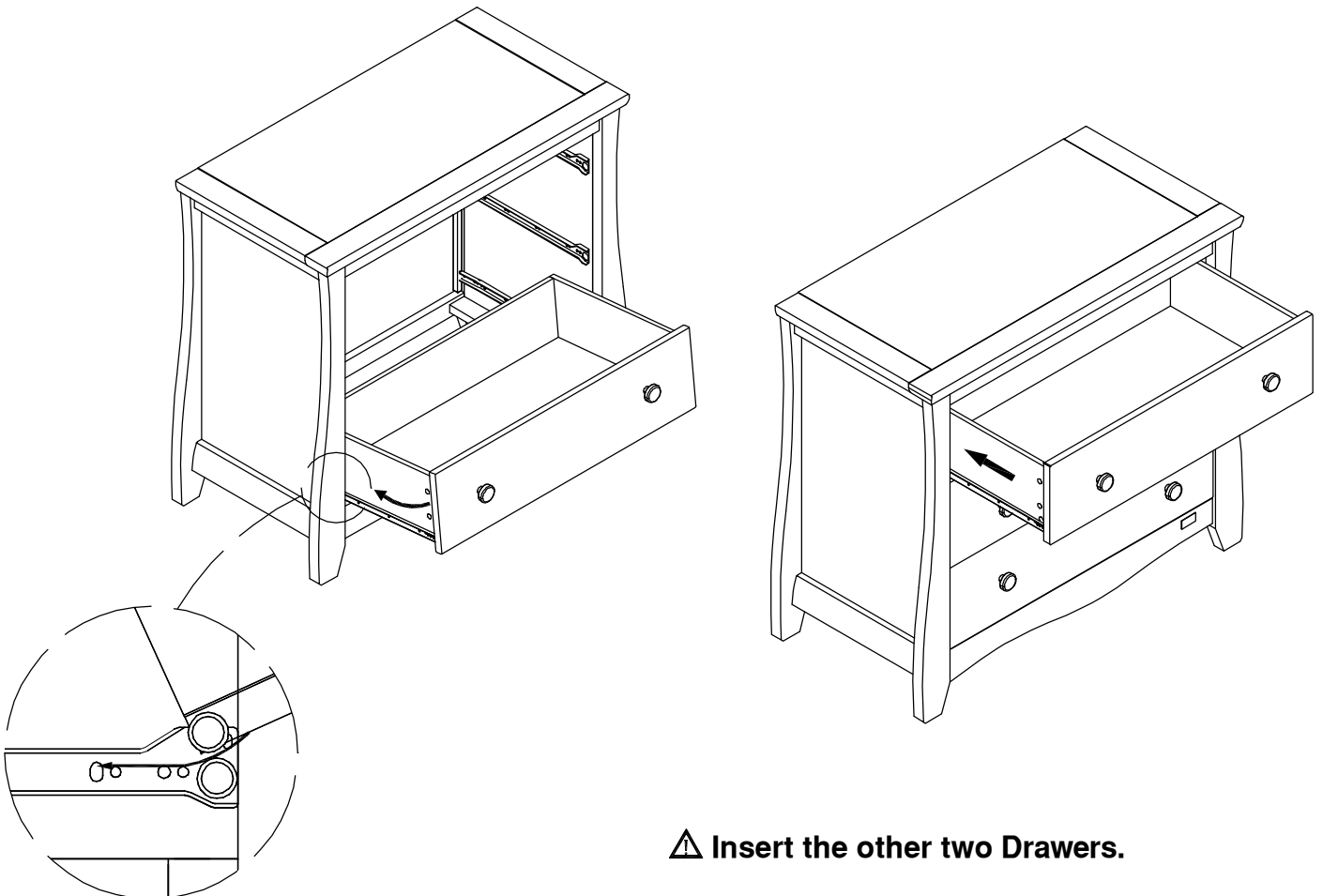
**Step 8:** Attach the **Back Panels**.



**E X 16**



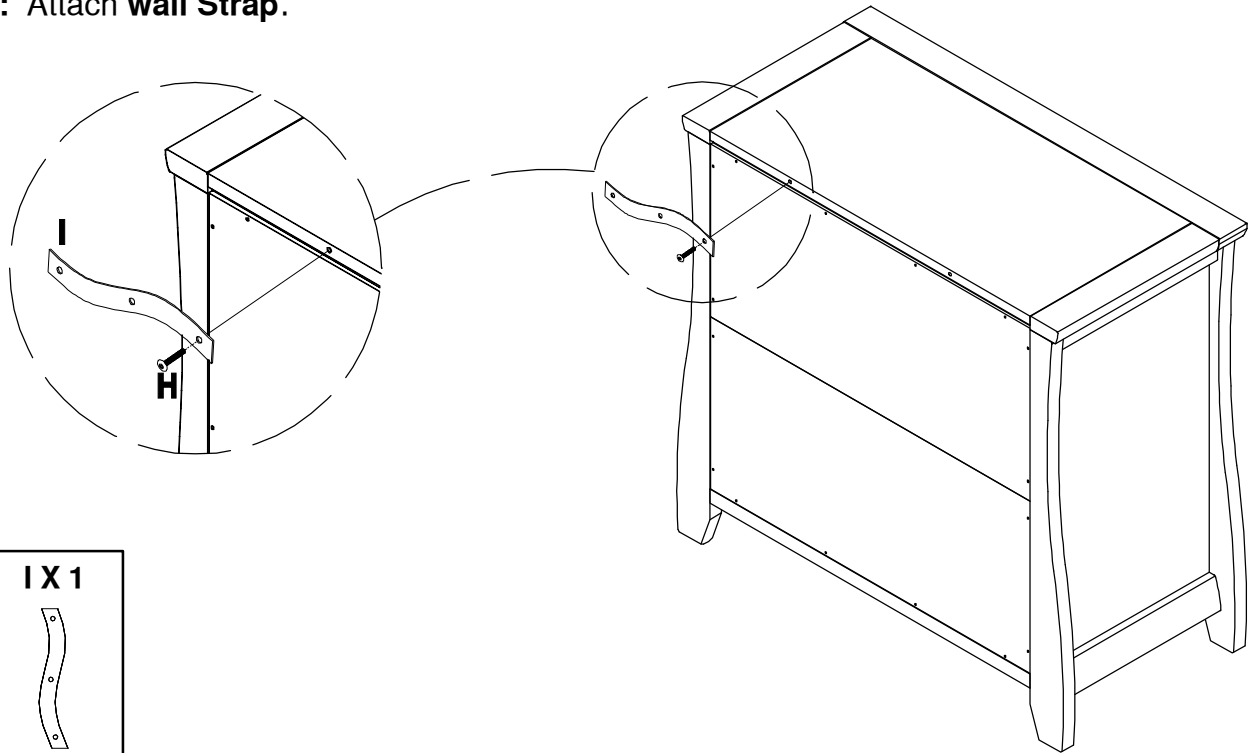
**Step 9:** Insert **Drawers** into the chest.



**▲ Insert the other two Drawers.**

# ASSEMBLY INSTRUCTIONS

## Step 10: Attach wall Strap.



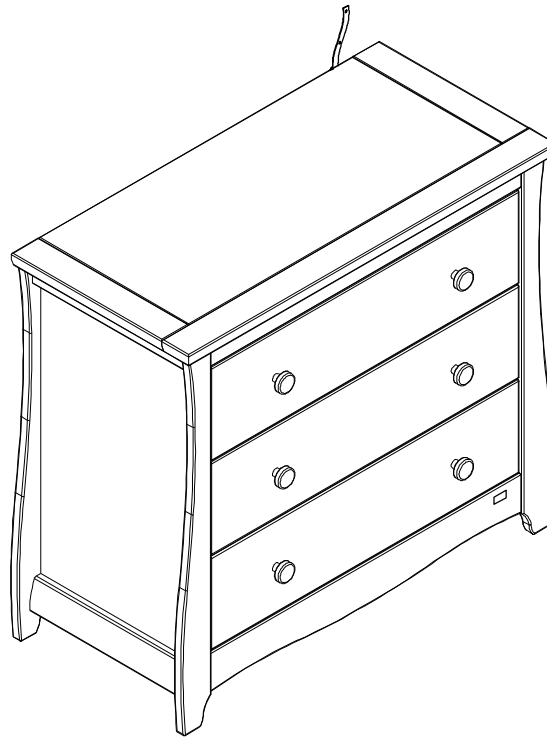
H X 1



I X 1



## Step 11: Fix to the wall.



**⚠ Place the assembled furniture adjacent to the wall and fix to the wall using the appropriate screw for that wall type. If you are in any doubt about the correct type of fittings to use seek professional advice.**

## Maintenance of your Boori Urbane Furniture

- \* TO CLEAN YOUR FURNITURE USE A SOFT CLOTH DAMPENED WITH WATER
- \* DO NOT USE STRONG HOUSEHOLD CLEANERS
- \* AVOID CONTACT WITH SHARP OBJECTS
- \* WHEN MOVING YOUR FURNITURE DO NOT DRAG, ALWAYS LIFT AND PLACE IN POSITION