

Read all instructions BEFORE assembly and USE of product. KEEP INSTRUCTIONS FOR FUTURE USE

***IMPORTANT, RETAIN FOR FUTURE REFERENCE*
PLEASE READ CAREFULLY**



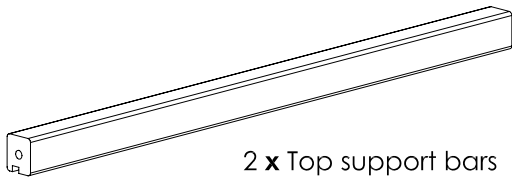
Boori Urbane Products

AUSTRALIA
18-20 Charles Street
St.Marys Sydney NSW
2760 Australia
Ph: 61 2 9833 3769 Fax: 61 2 9673 4240

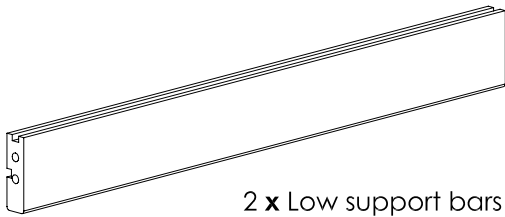
Boori (UK) Ltd
Unit 8, Transigo,
Gables Way, Kennet Park,
Thatcham, Berkshire,
RG19 4ZA
Ph: 44 016 3529 5670 Fax: 44 016 3587 7552

Boori Urbane Metro Box

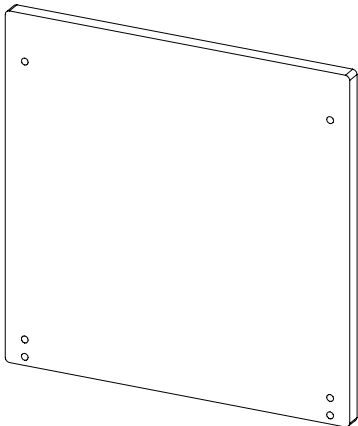
Metro Box Hardware and parts list



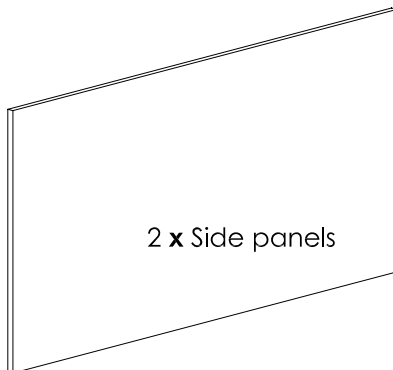
2 x Top support bars



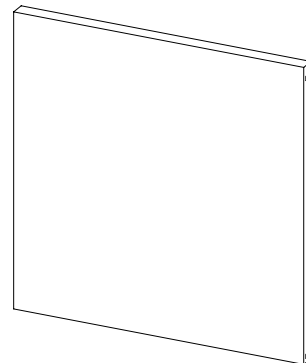
2 x Low support bars



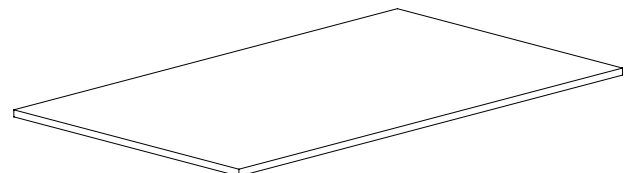
2 x End Panels (Identical)



2 x Side panels



1 x Middle Panel

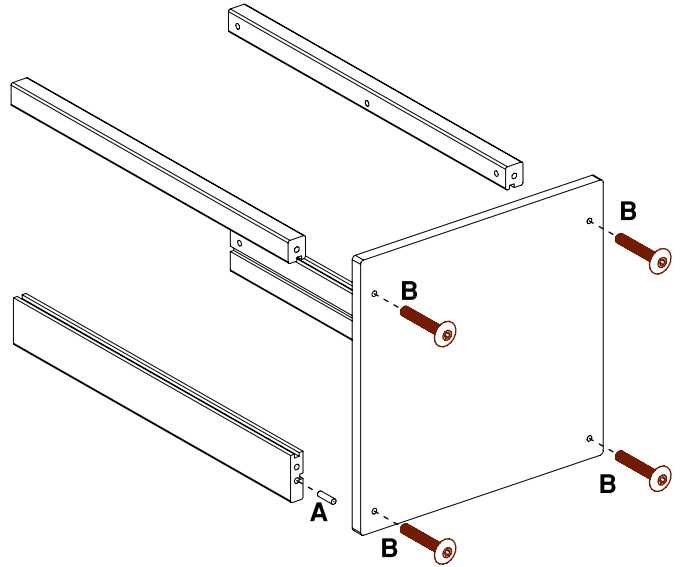


1 x Base board

1 x Allen Key	8 x Wooden dowels	8 x 54mm Connecting bolts
	A 	B
		Actual size

Stage 1: Attaching the support bars to the end panel

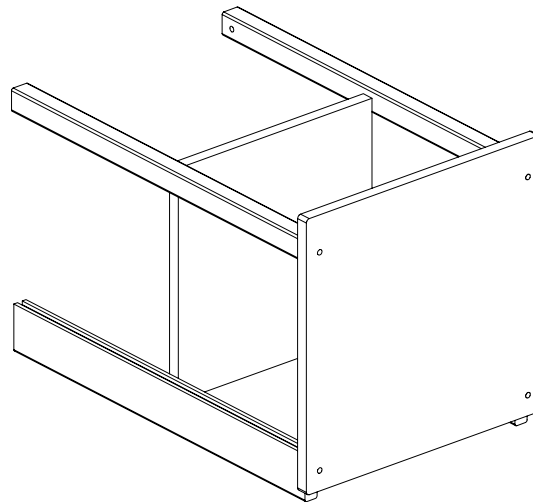
Connect the support bars to end panel with the 4 X B (54mm) connecting bolts and 2 x A wooden dowels.



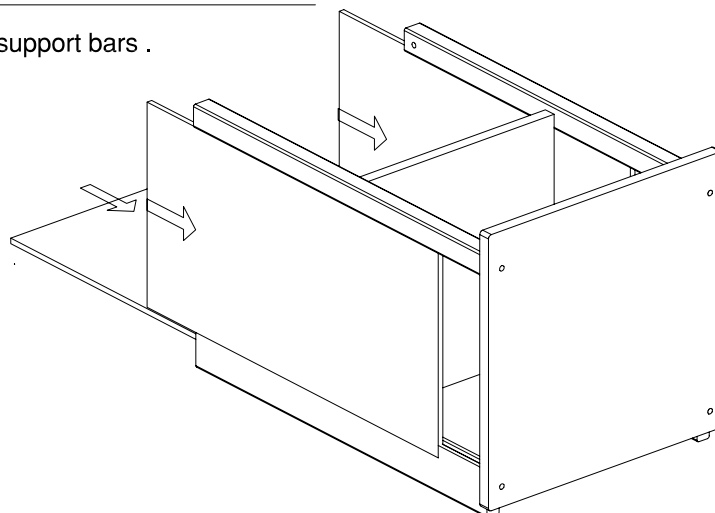
NOTE: Ensure that correct side is facing out

Stage 2: Attaching the middle panel

Attaching the middle panel to the support bars with the 4 X A wooden dowels .

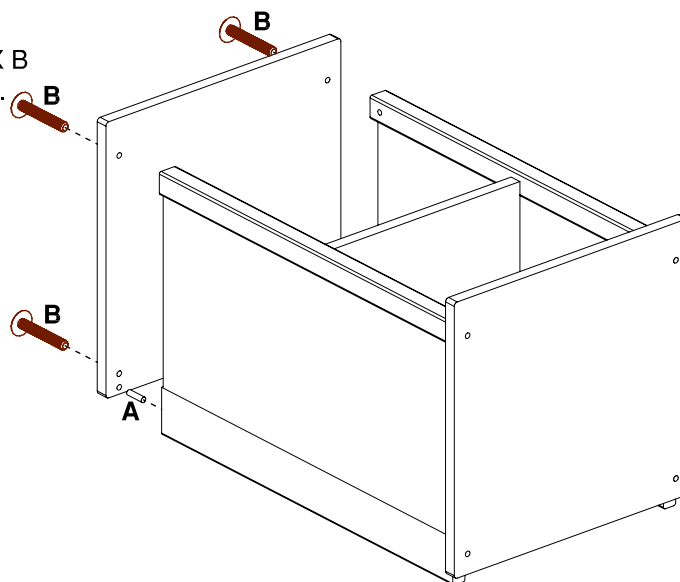
**Stage 3: Attaching the side panels and base board**

Slide side panels and base board to support bars .

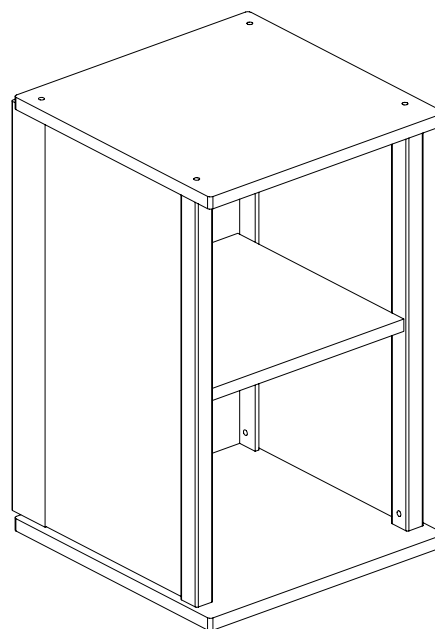
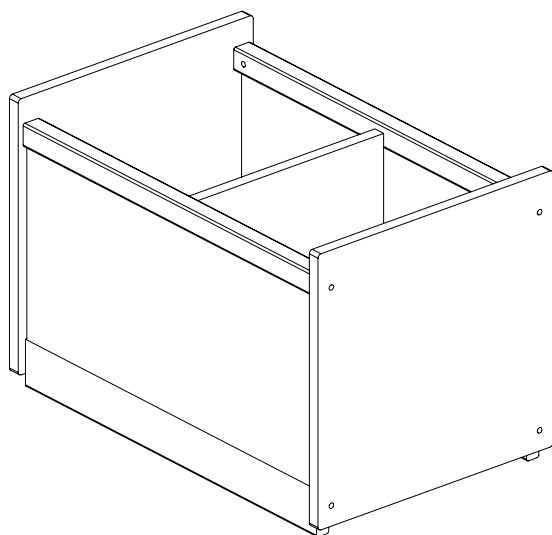


Stage 4: Attaching the end panel

Connect the end panel to support bars with the 4 X B (54mm) connecting bolts and 2 x A wooden dowels.



Metro Box



Maintenance of your Boori Urbane Furniture

- * TO ENSURE THE SAFETY OF YOUR COT, BED OR CHANGE TABLE, REGULARLY CHECK ALL THE CONNECTING BOLTS AND GLIDE PINS MAKING SURE THEY ARE TIGHT, CARE SHOULD BE TAKEN THAT NO SCREWS ARE LOOSE
- * GLIDE PINS AND BOLTS SHOULD BE TIGHTENED EVERY FOUR TO SIX MONTHS TO ENSURE COT/FURNITURE REMAINS STABLE
- * TO CLEAN YOUR COT & FURNITURE USE A SOFT CLOTH DAMPENED WITH WATER
- * DO NOT USE STRONG HOUSEHOLD CLEANERS
- * AVOID CONTACT WITH SHARP OBJECTS
- * WHEN MOVING YOUR COT, BED OR FURNITURE DO NOT DRAG, ALWAYS LIFT AND PLACE IN POSITION