

IMPORTANT-RETAIN FOR FUTURE REFERENCE

PLEASE READ CAREFULLY



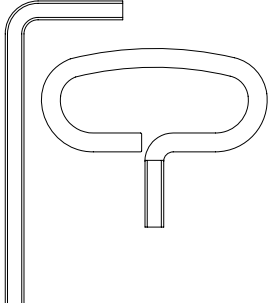

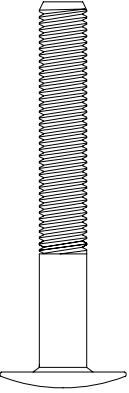
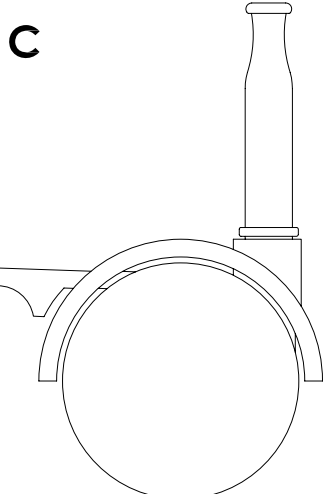
Boori International

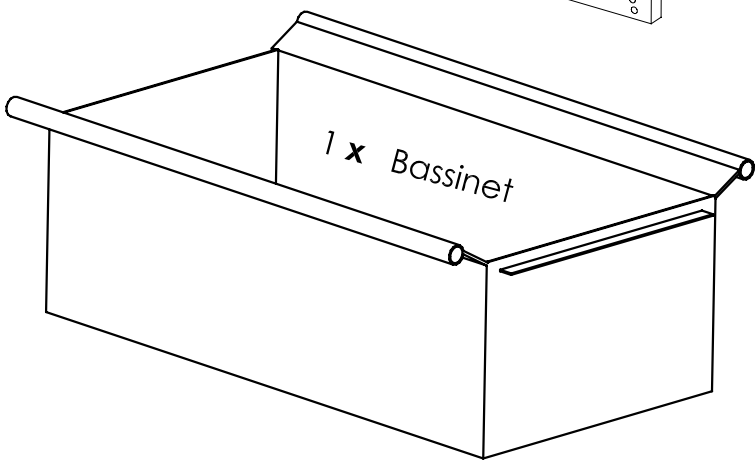
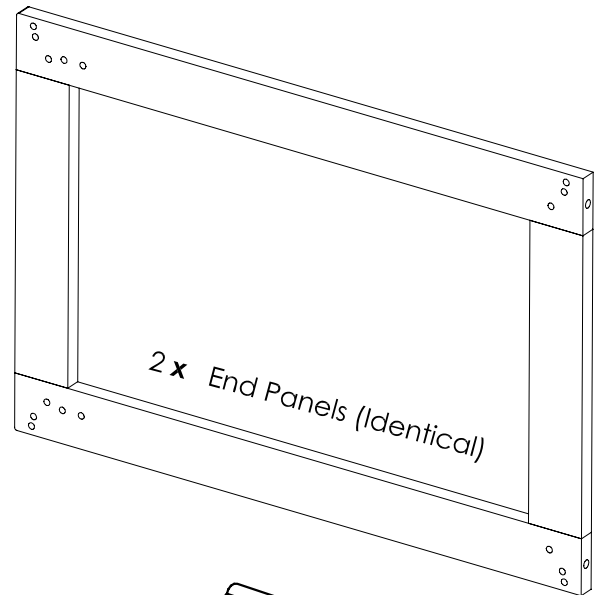
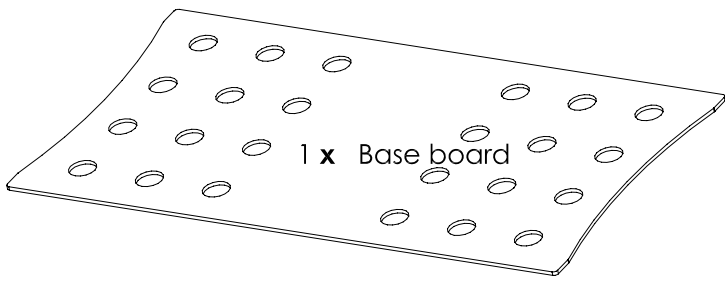
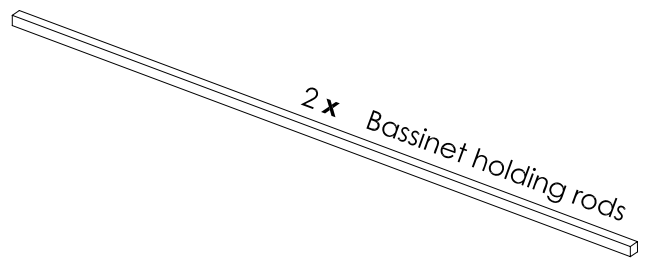
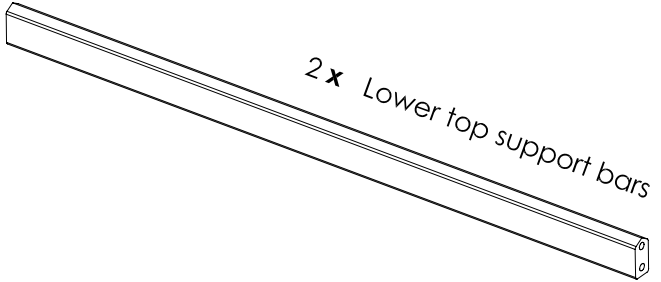
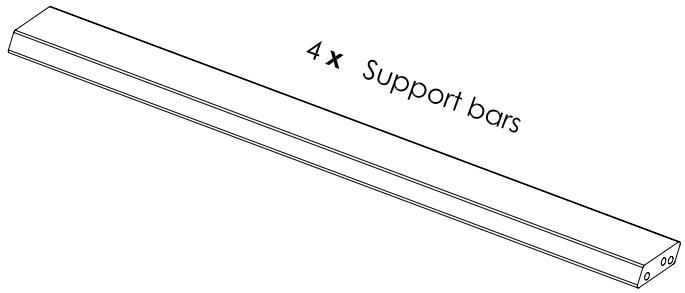
AUSTRALIA
18-20 Charles Street
St.Marys Sydney NSW
2760 Australia
Ph: 612 9833 3769 Fax: 612 9673 4240

Boori (UK) Ltd
Unit 8,Transigo,
Gables Way,Kennet Park,
Thatcham,Berkshire,
RG19 4ZA
Ph: (44) 016 3529 5670 Fax: (44) 016 3587 7552

Boori urbane Bassinet

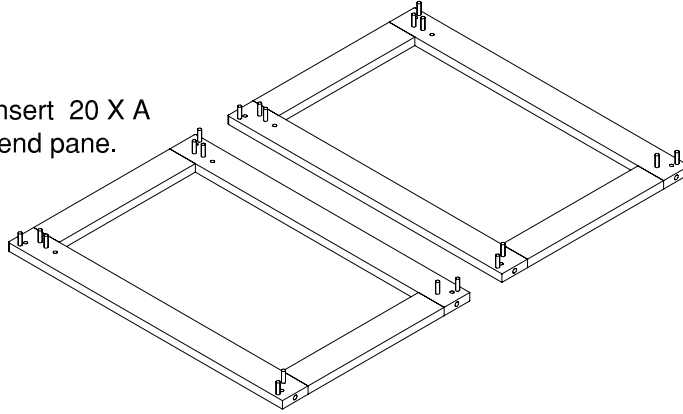
Hardware and parts list

2 x Allen Keys	20 x wooden dowels	12 x 54mm Connecting bolts	4 x Castors&castor sleeves
	A 	B  Actual Size	C 



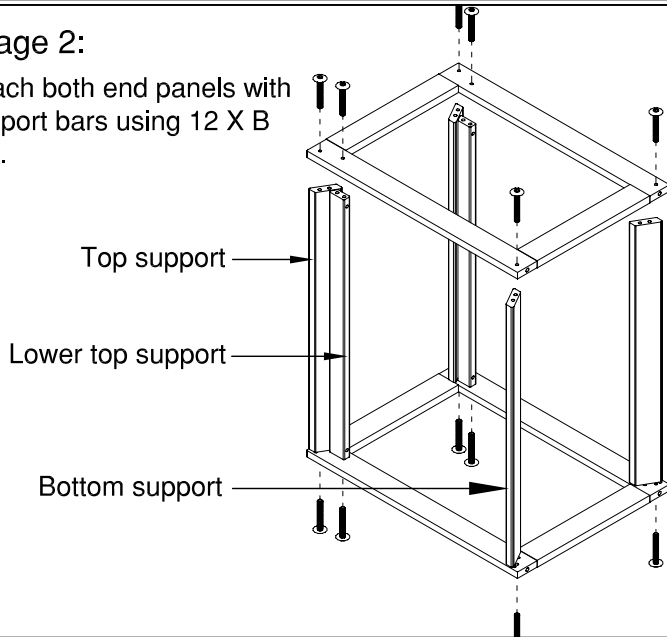
Stage 1:

Lay end panels flat onto floor and insert 20 X A wooden dowels into holes on both end pane.



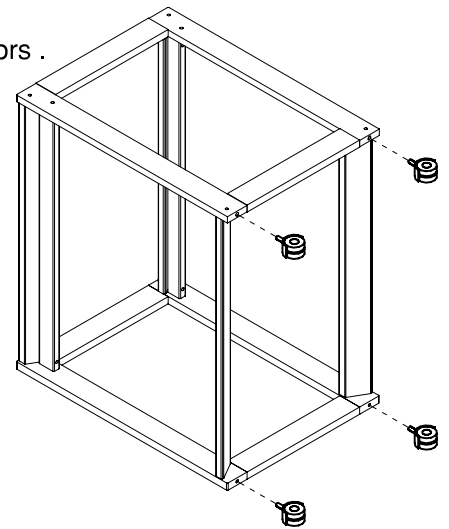
Stage 2:

Attach both end panels with support bars using 12 X B bolt.



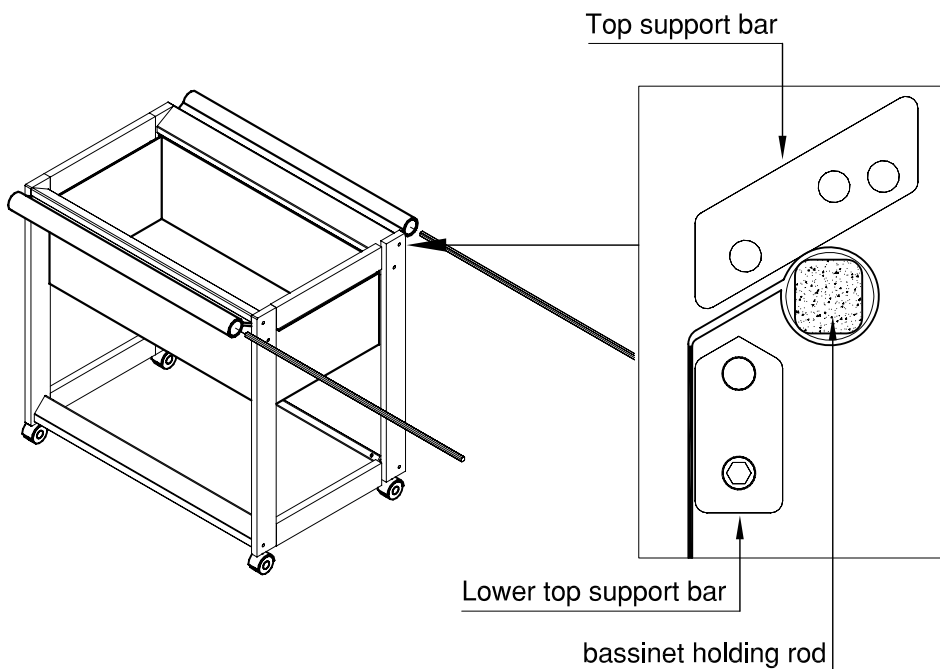
Stage 3:

insert 4 X C castors .



Stage 4:

Slide bassinet holding rods into bassinet as shown .



Stage 5:

Place base board into bassinet.

