

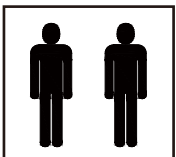
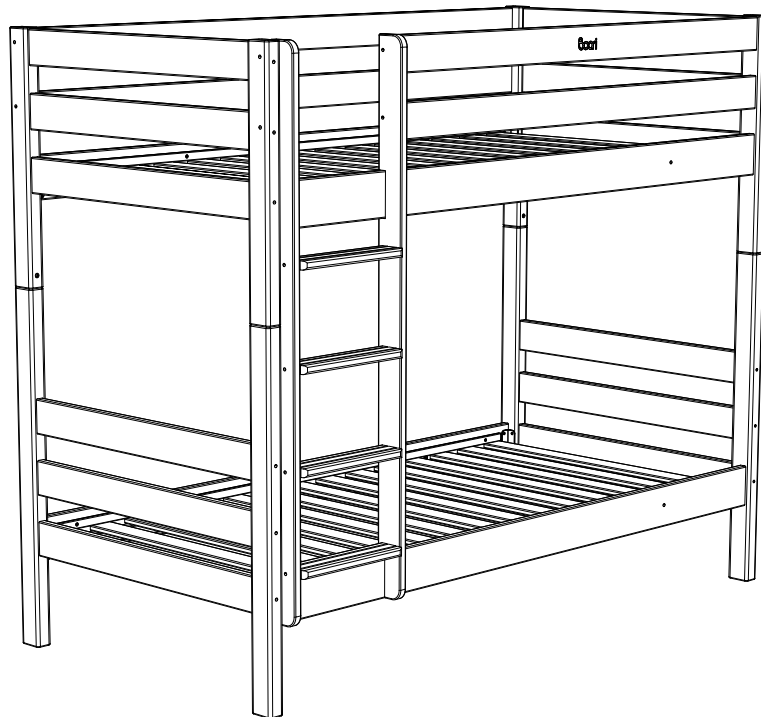
Boori

Scout



Single Bunk Bed

斯考特双层床



**IMPORTANT:
PLEASE READ THE INSTRUCTIONS CAREFULLY
AND KEEP FOR FUTURE REFERENCE**

重要：请仔细阅读此说明书，并妥善保管以便日后参考。

BK-SCSBB

Boori Australia Pty Ltd
 26 Peter Brock Drive
 Eastern Creek Sydney
 NSW 2766 Australia
 Tel: +61 2 9833 3769
 Fax: +61 2 9673 4240
 www.boori.com.au

Boori (Europe) Ltd
 Unit 1 Riverside House,
 Mill Lane, Newbury,
 Berkshire, RG 14 5QS UK
 Tel: +44 016 3529 5670
 Fax: +44 016 3587 7552
 www.boori.co.uk

Halim & Boori Company
 10F. Halim INT'L B/D, #1674-4,
 Seocho-Dong, Seocho-Gu,
 Seoul, Korea
 Tel: +82 2598 1470
 Fax: +82 2583 8885
 E-mail: ted@boori.co.kr
 Postal code: 137-725.

ブーリジャパン株式会社
 〒141-0031
 東京都品川区西五反田
 7-22-17 TOCビル5F
 TEL:03-6420-0024
 EMAIL:info@boori.co.jp
 HP:www.boori.jp

上海薇奈莎商贸有限公司
 上海市青浦区徐泾镇华徐公路577号
 VEG微格创意园A8-10室
 邮编: 201702
 电话: +86 21 5296 6600
 传真: +86 21 5296 6636
 网址: www.boori.com.cn

Scout Single Bunk Bed(BK-SCSBB)

Dimensions / 产品规格


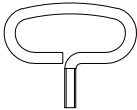
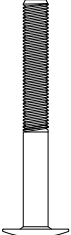

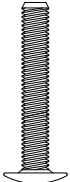
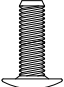

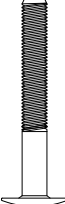
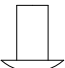
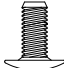
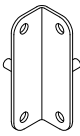
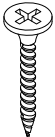
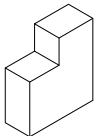
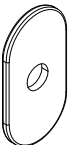
(External / 外径) : 1992*1043*1672mm

(Internal / 内径) : 1924*920mm

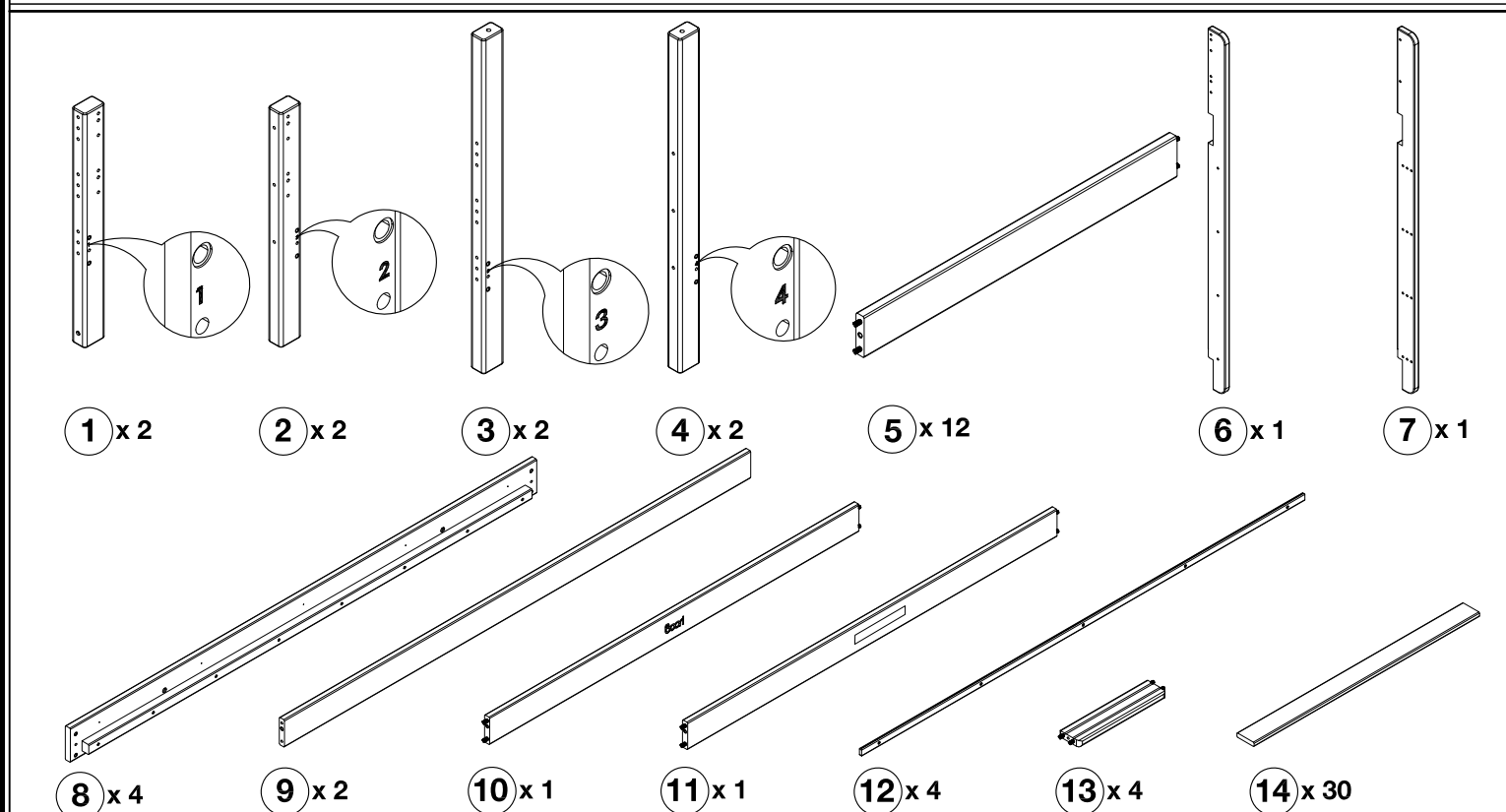
Main Materials: Australian Araucaria

主要材质: 澳洲南洋杉

Hardware / 五金单

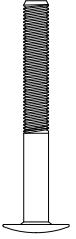
A x 1	B x 1	C x 24	D x 4	E x 12	F x 32	G x 32	H x 8
		 M6x90		 M6x47	 M6x18		 M6x60
I x 4	J x 4	K x 8	L x 20	M x 2	N x 2		
 M6x14	 M6x13		 Ø4*20				

Parts List / 部件清单



Assembly / 安装说明

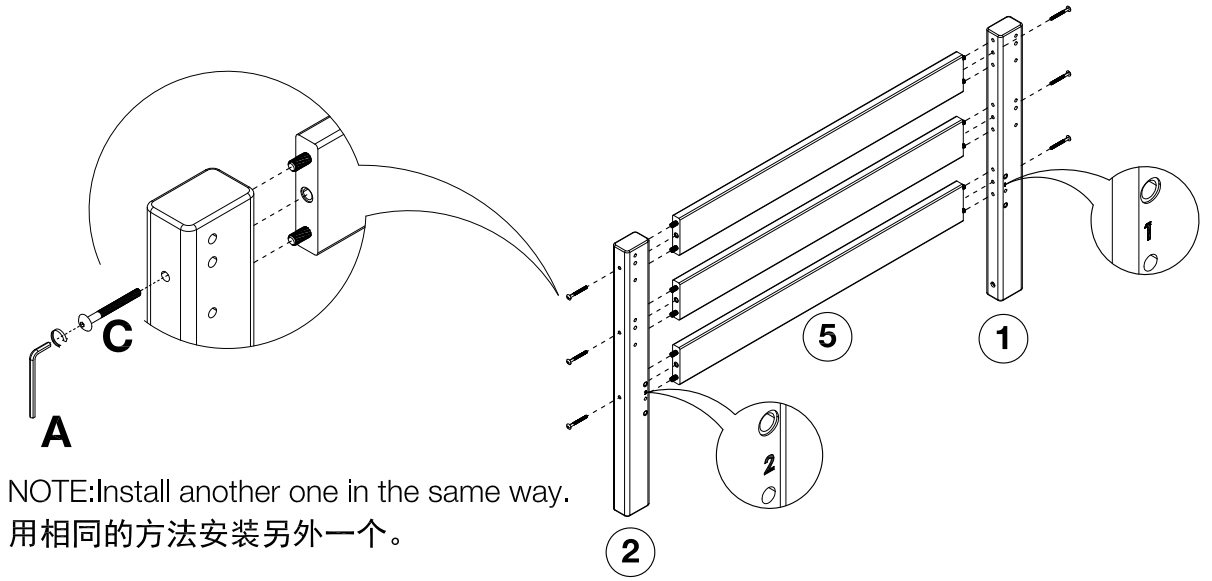
1



C x12

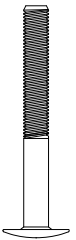


A x 1

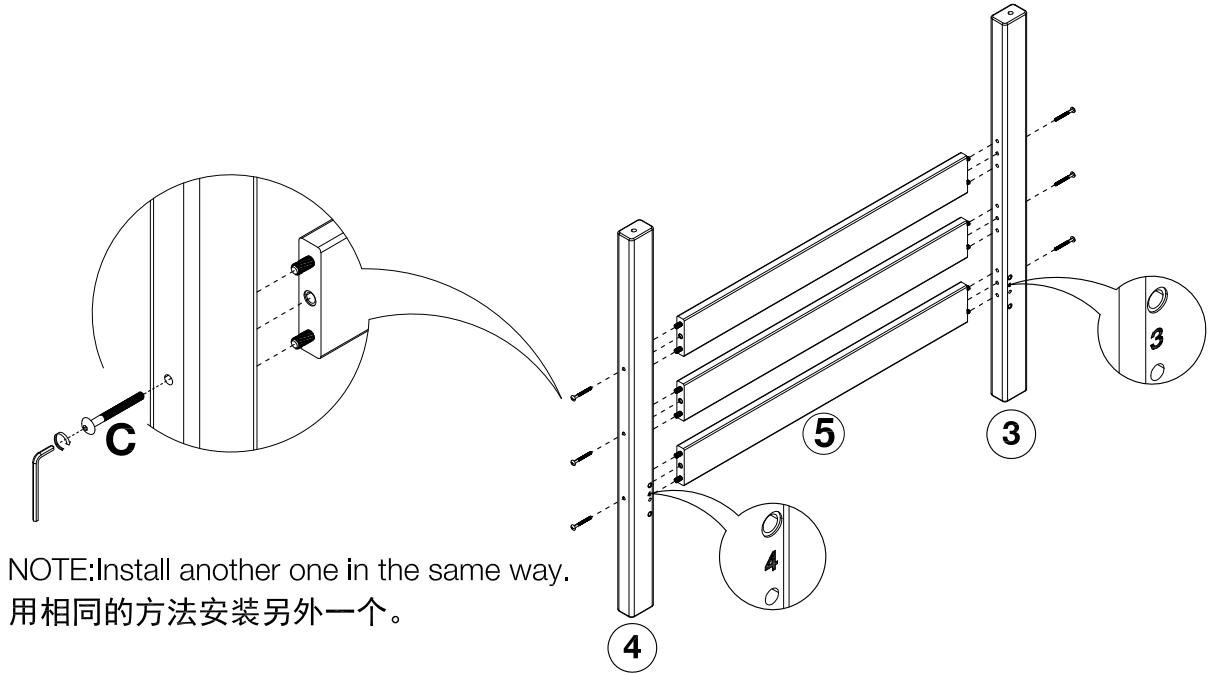


NOTE: Install another one in the same way.
用相同的方法安装另外一个。

2



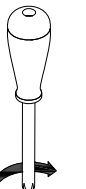
C x12



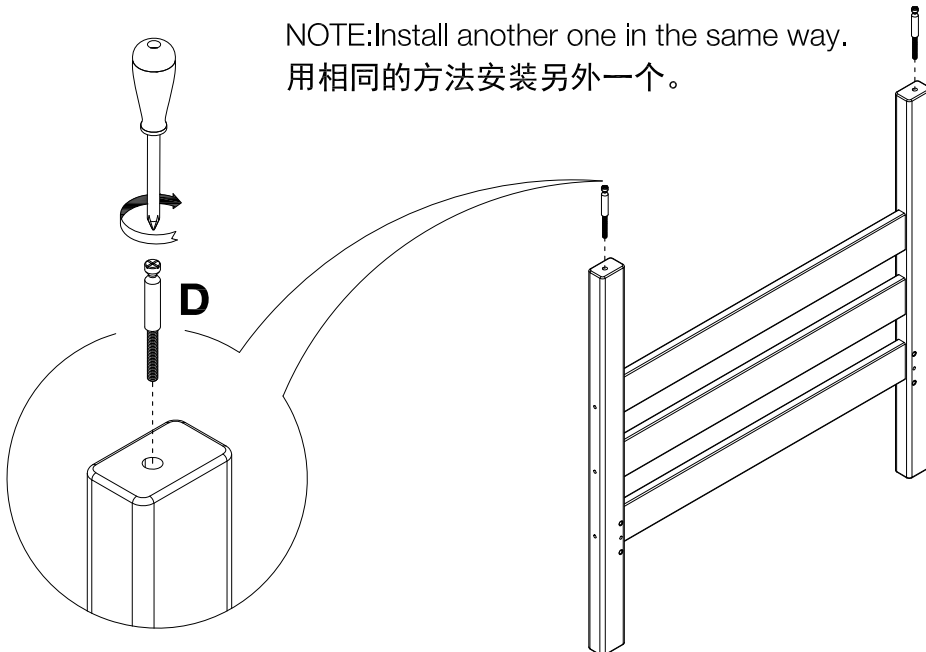
NOTE: Install another one in the same way.
用相同的方法安装另外一个。

3

NOTE: Install another one in the same way.
用相同的方法安装另外一个。



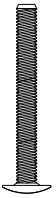
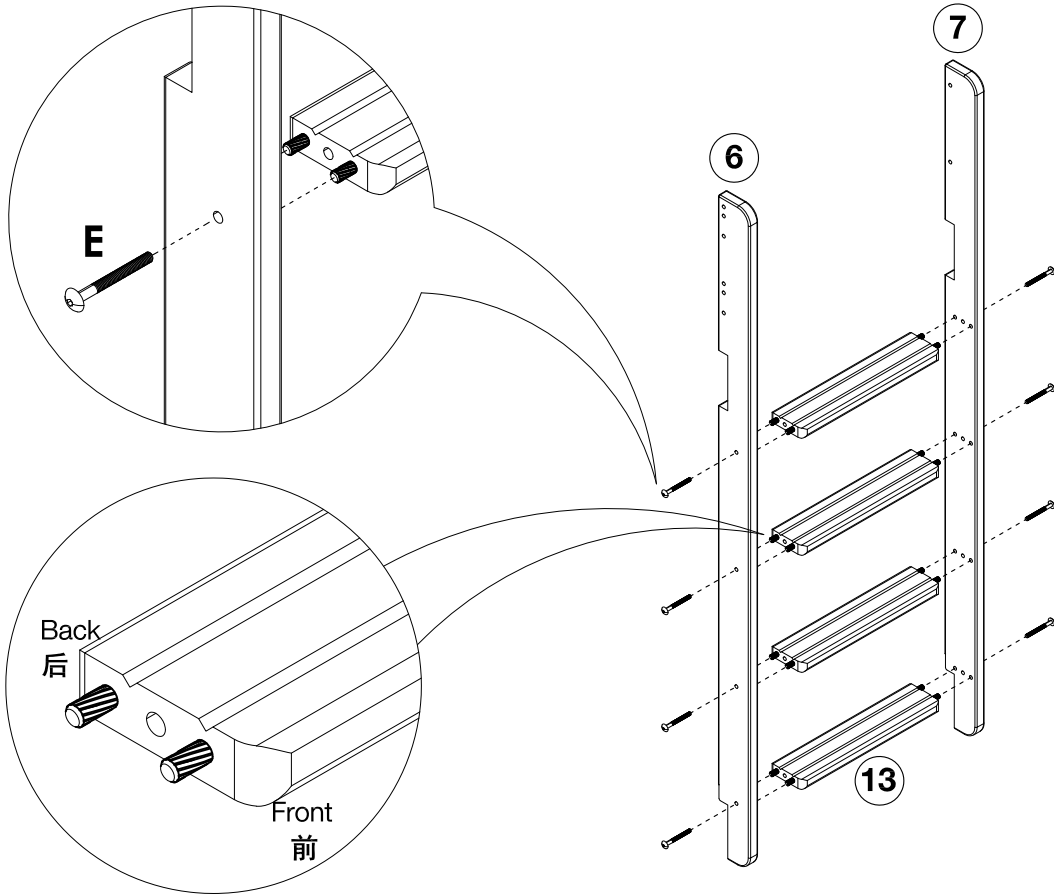
D



D x 4

Assembly / 安装说明

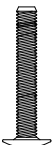
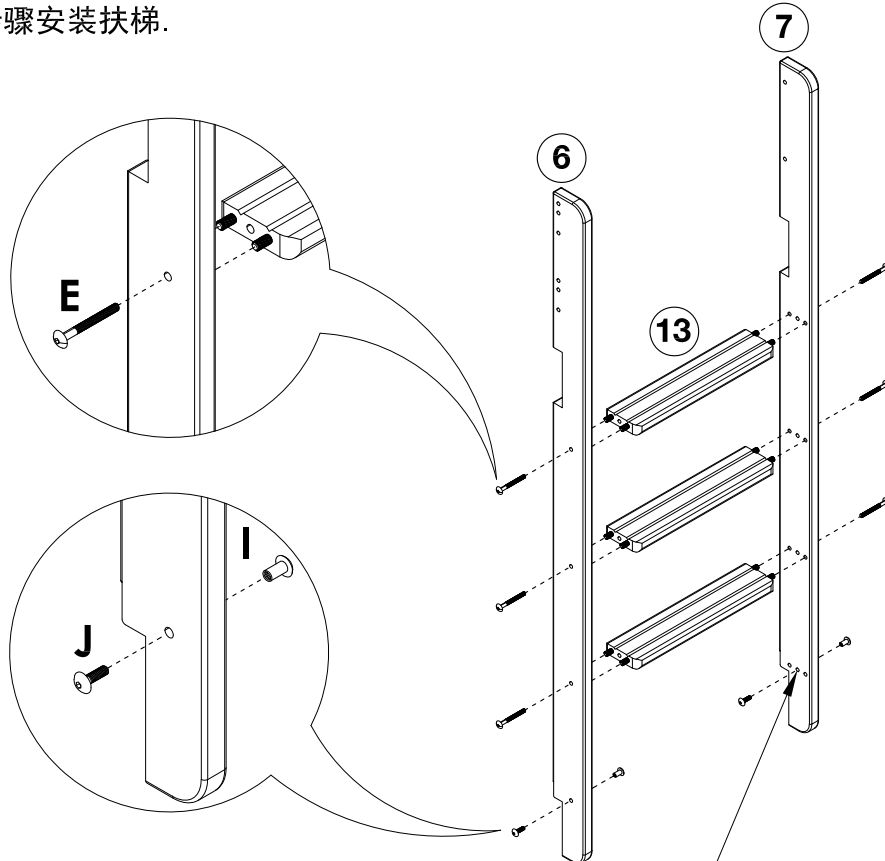
4



E x 8

5

NOTE: Australian users please refer to the following instructions to assemble on the ladder rail.
 澳洲用户请按照此步骤安装扶梯。



E x 6



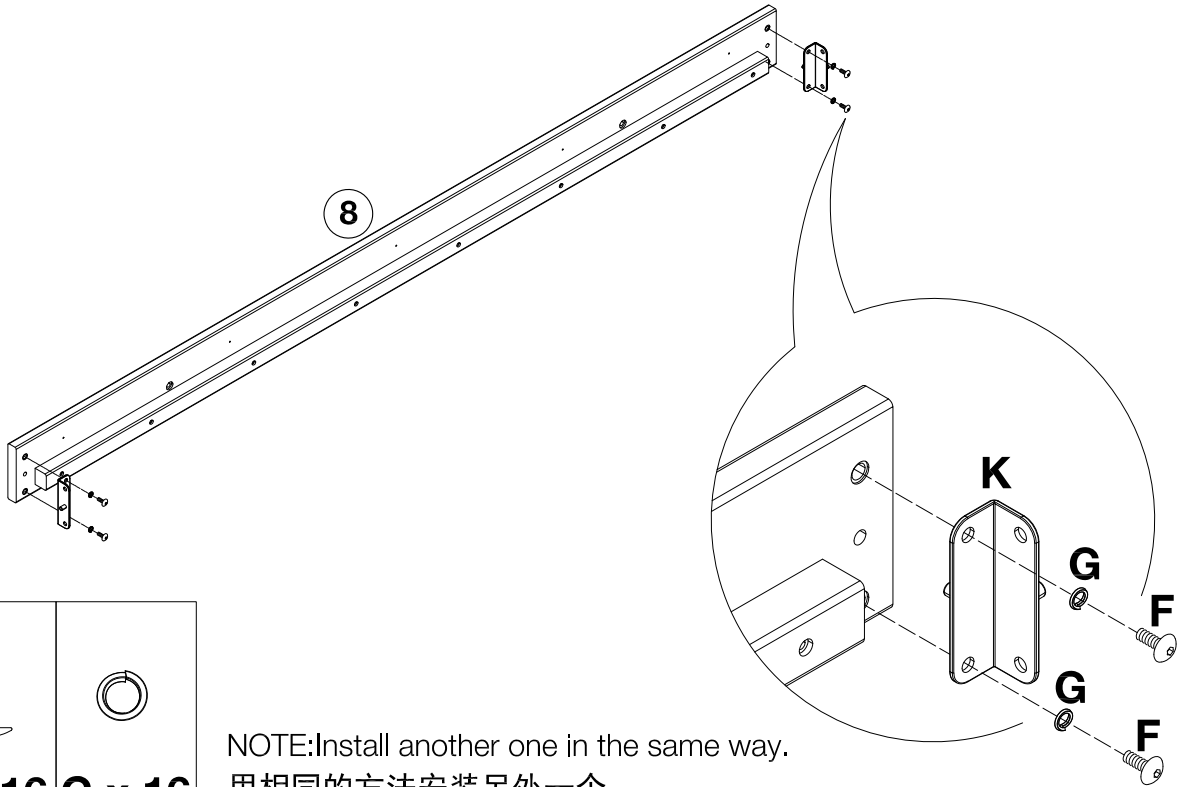
J x 2



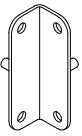
I x 2

Sold to Australia only has three ladder rungs.
 此产品在澳洲使用时不用组装最下面一个踏板

3



NOTE: Install another one in the same way.
用相同的方法安装另外一个。



K x 8



F x 16

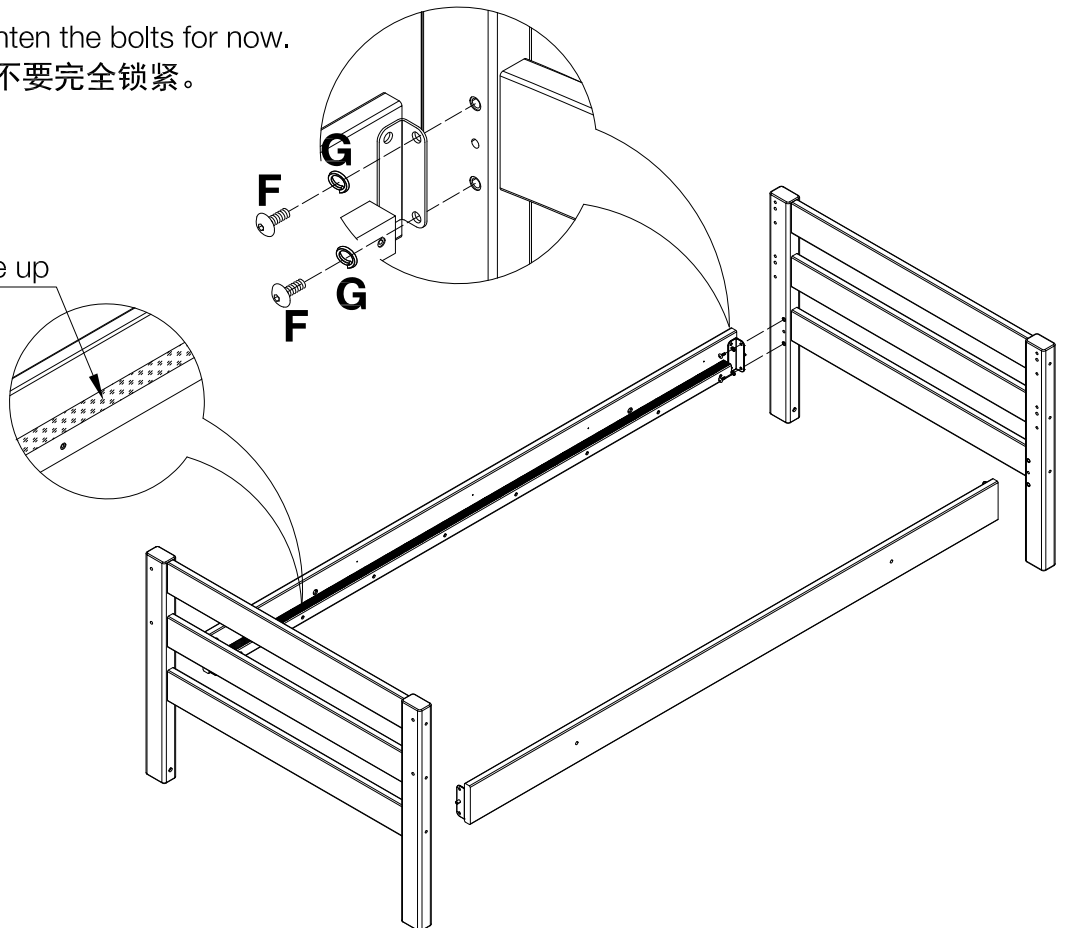


G x 16

4

⚠ Do not tighten the bolts for now.
螺丝暂时不要完全锁紧。

The velcro side must face up
魔术贴面朝上

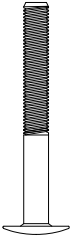
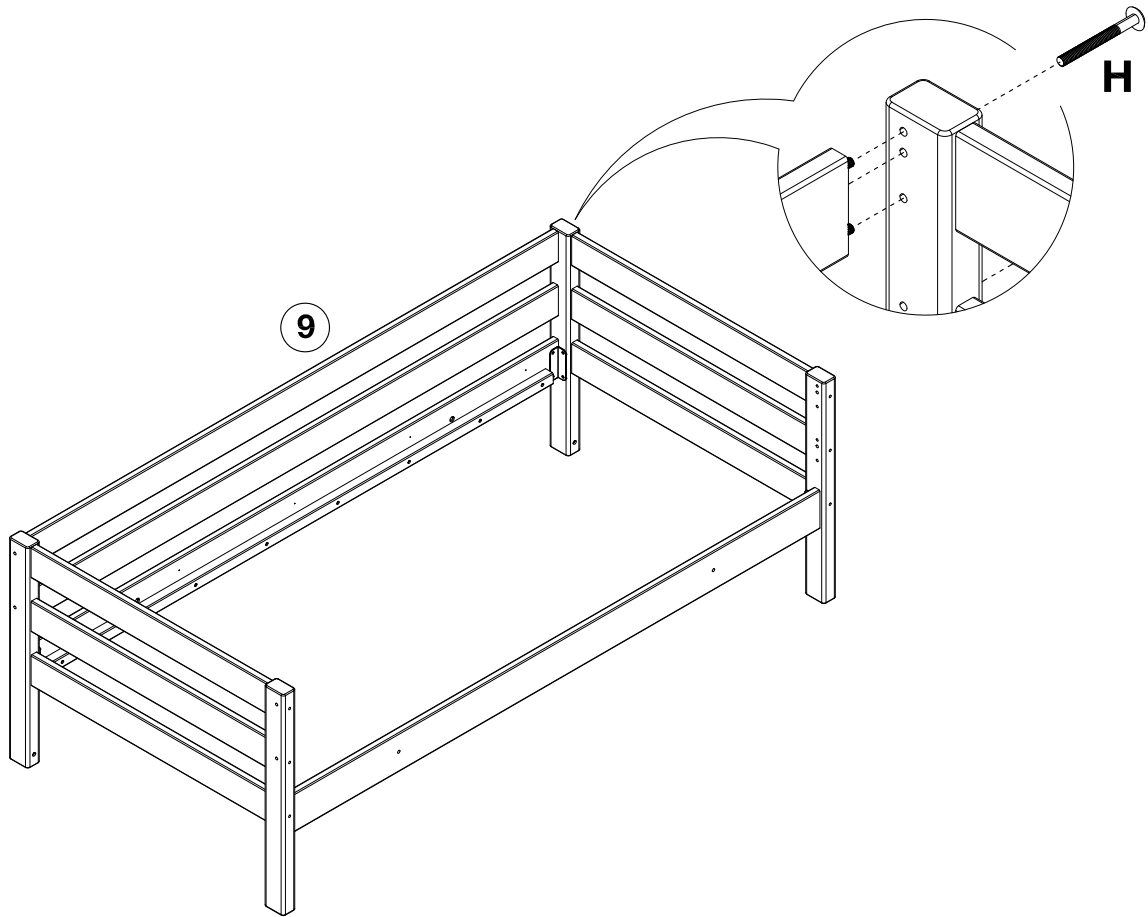


F x 8



G x 8

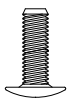
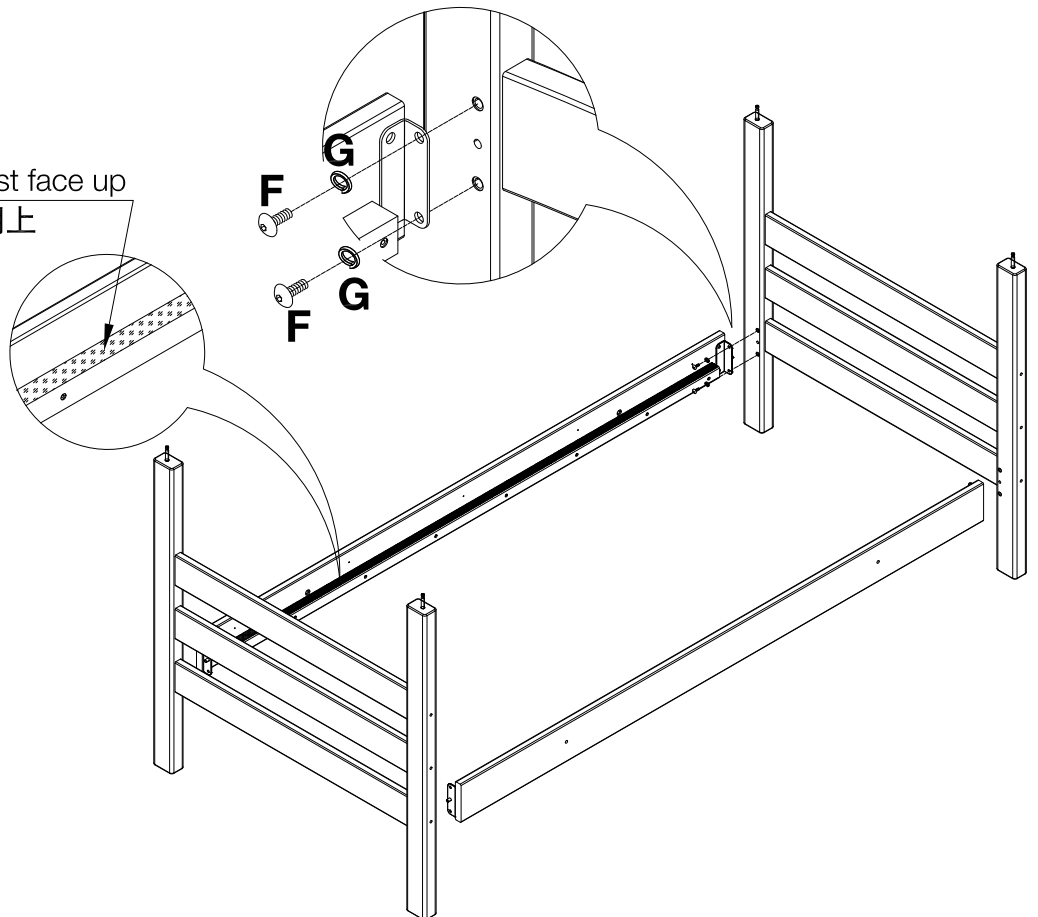
5



H x 4

6

The velcro side must face up
魔术贴面朝上

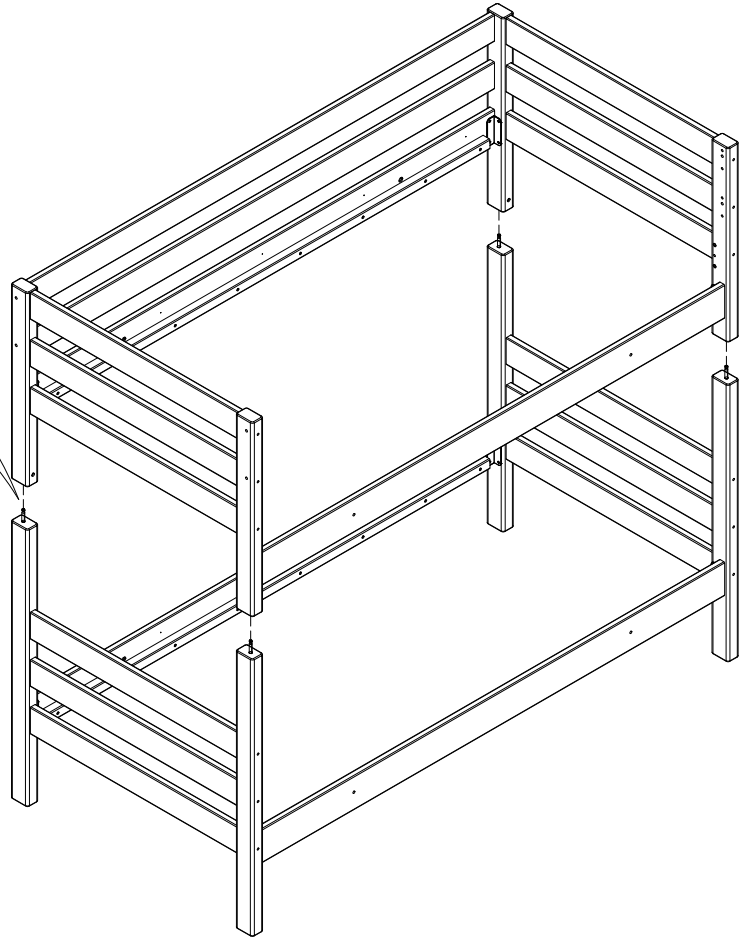
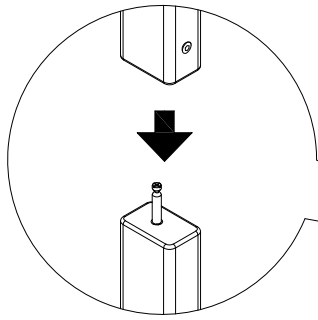


F x 8

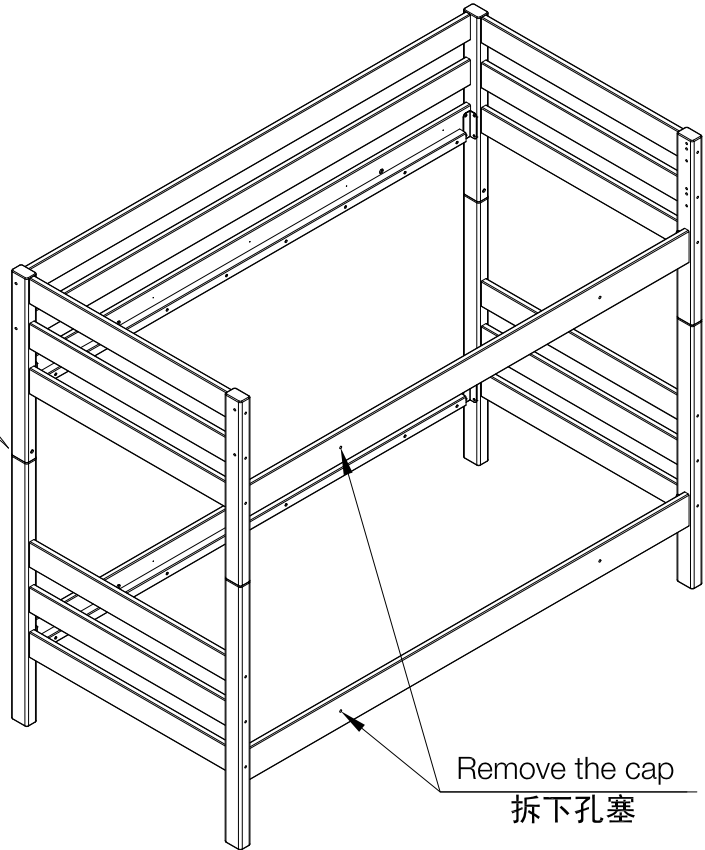
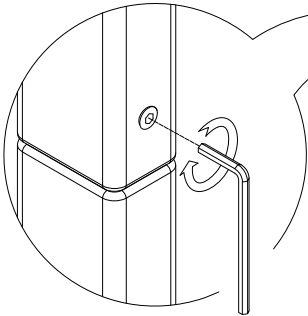


G x 8

7



8

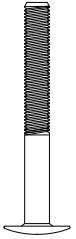
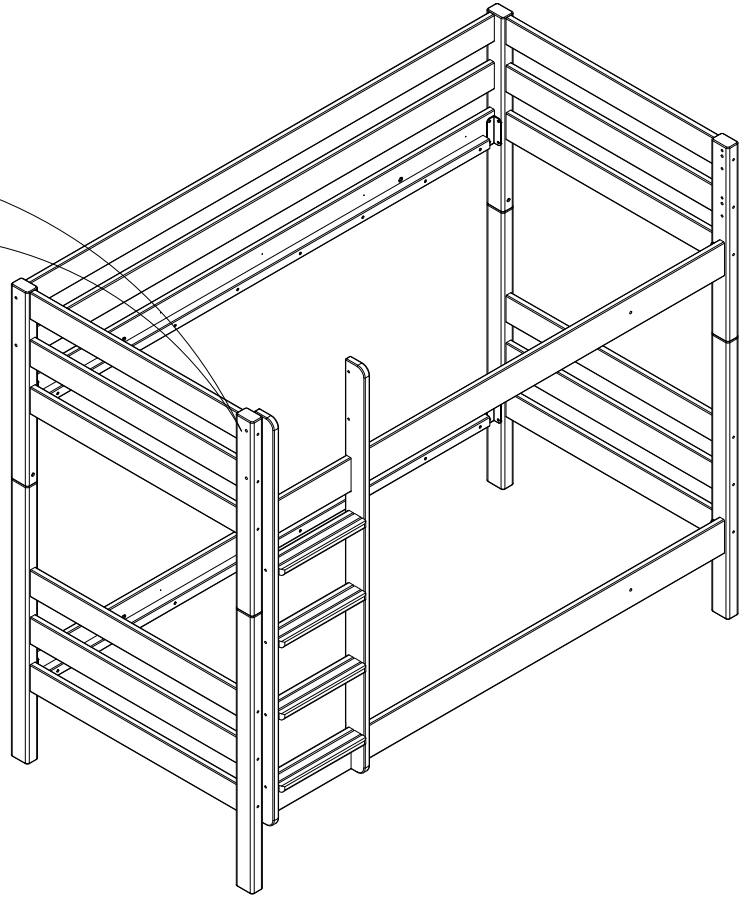
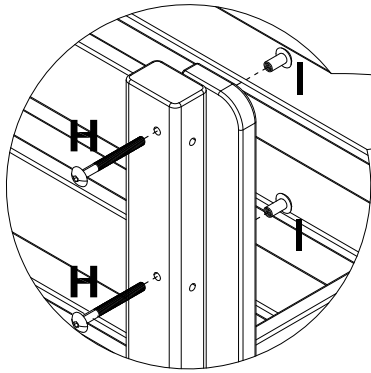


Remove the cap
拆下孔塞

Assembly / 安装说明

9

⚠ Do not tighten the bolts for now.
螺丝暂时不要完全锁紧。

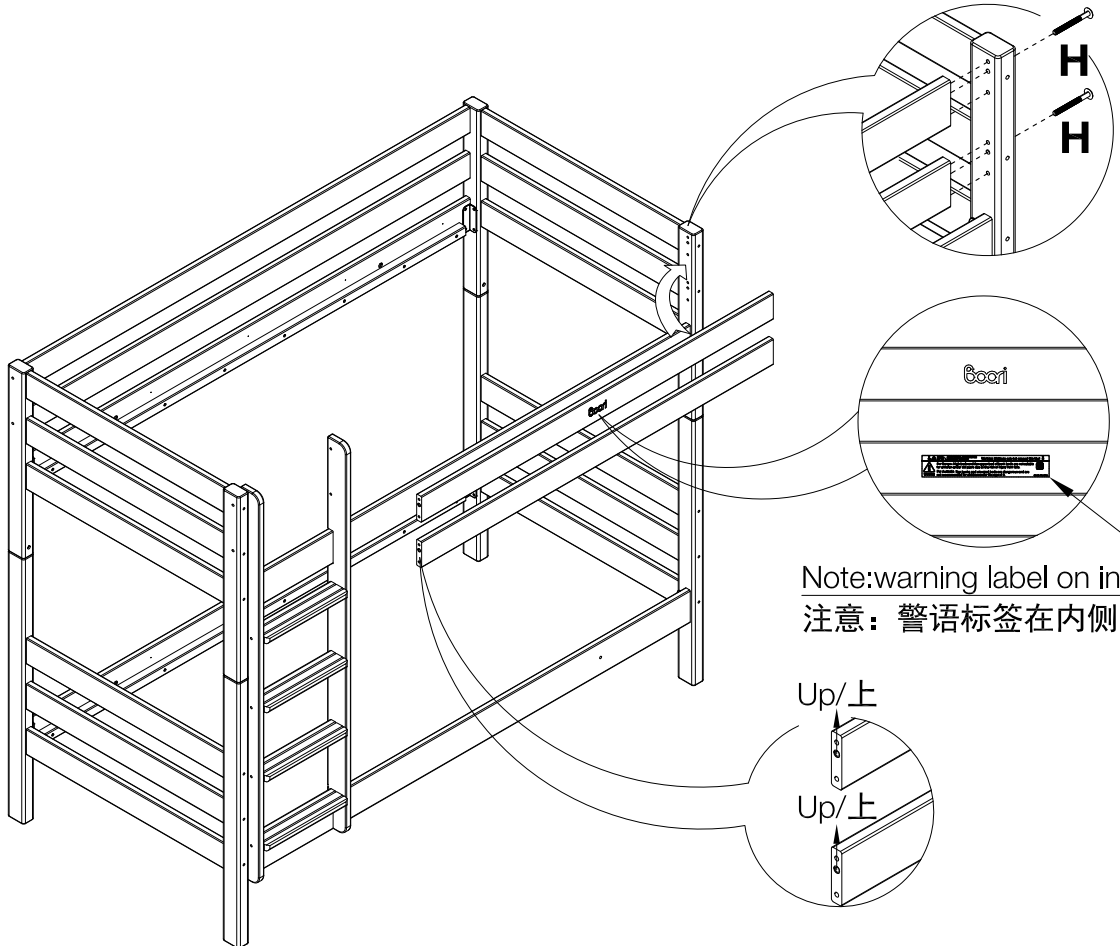


H x 2



I x 2

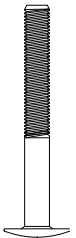
10



Note: warning label on inside.
注意：警语标签在内侧。

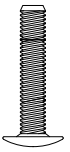
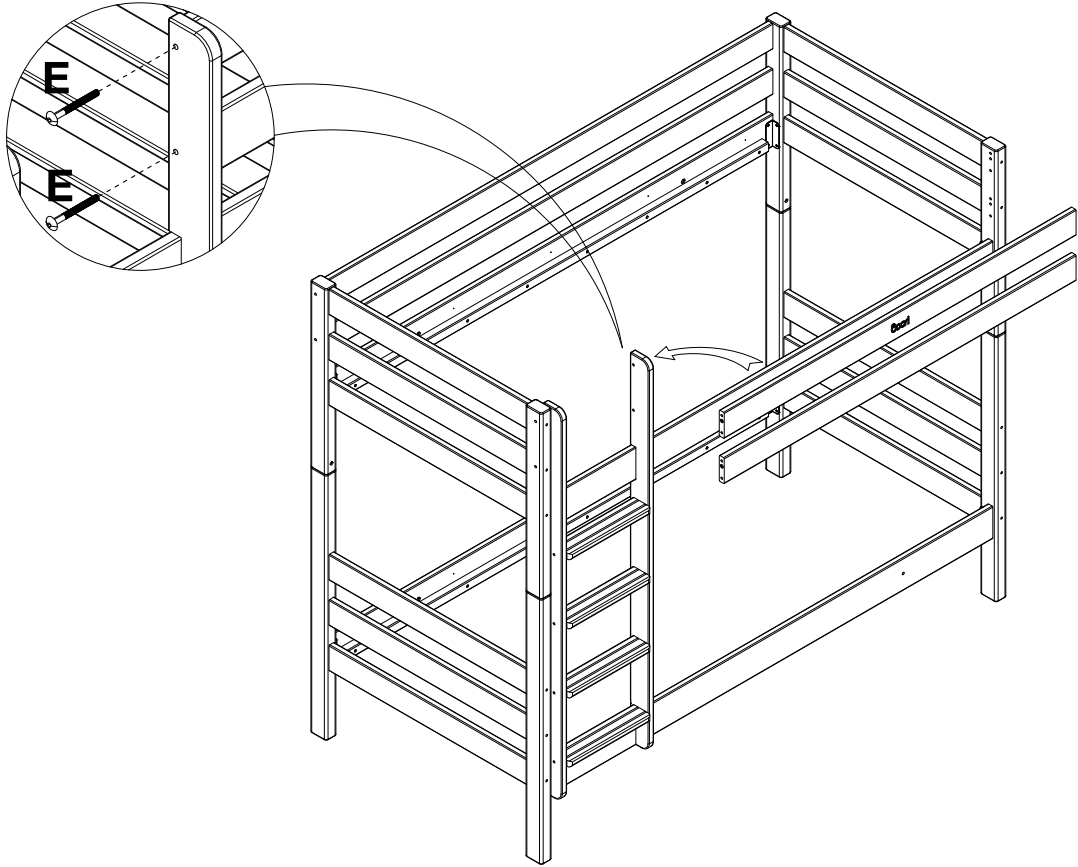
Up/上

Up/上



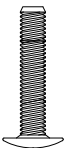
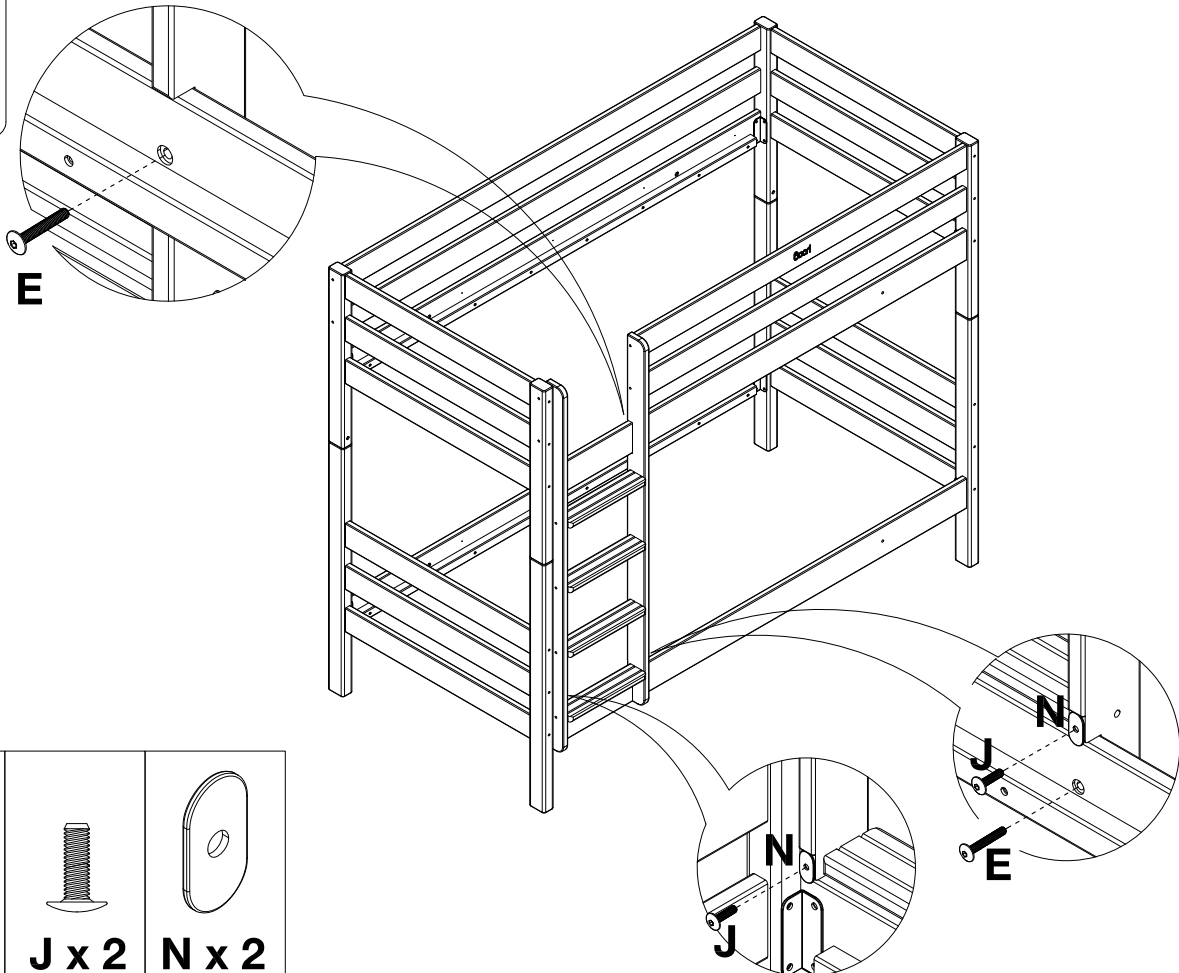
H x 2

11



E x 2

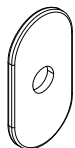
12



E x 2

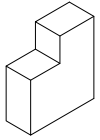
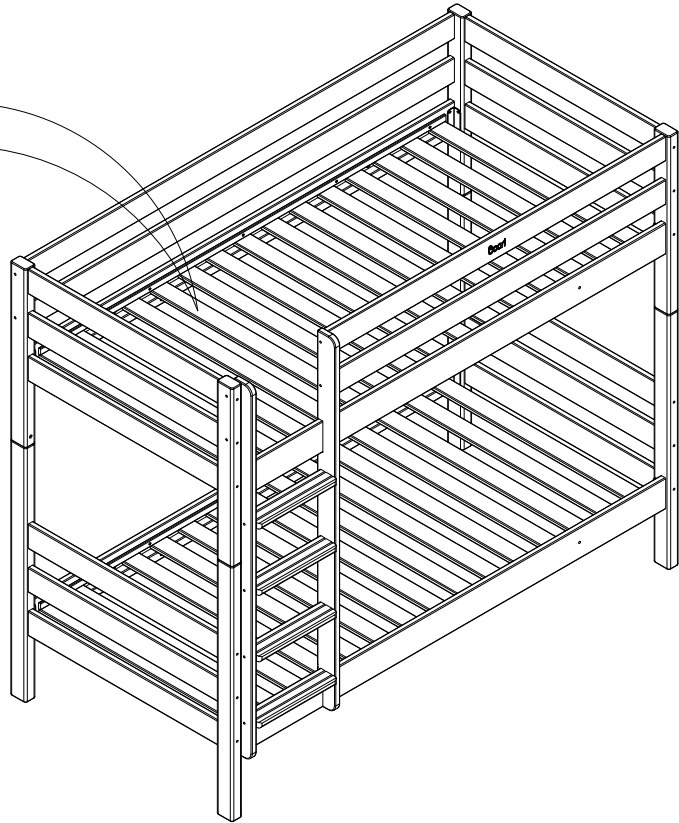
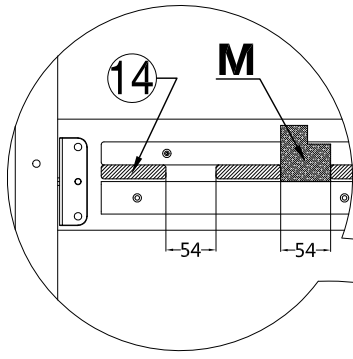


J x 2



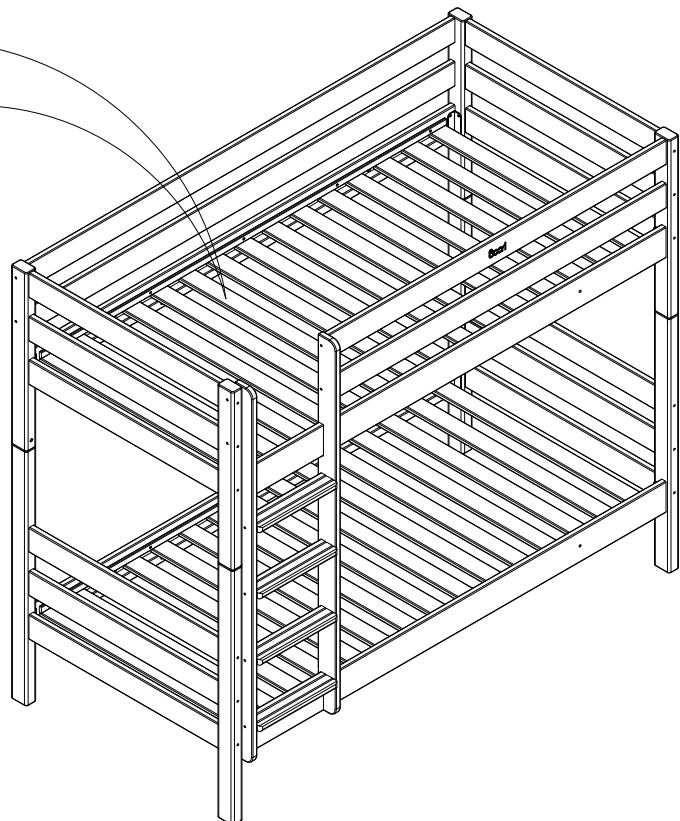
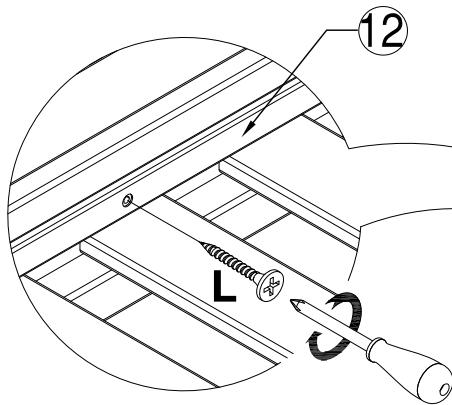
N x 2

13



M x 2

14



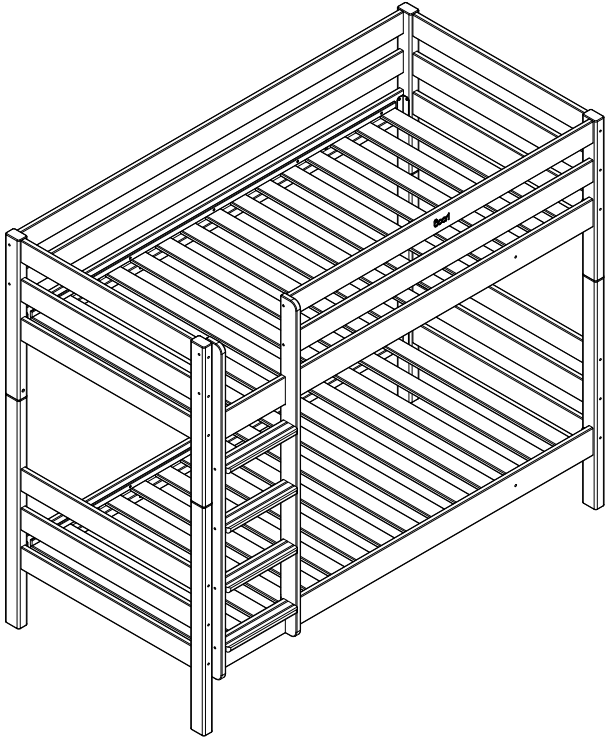
L x 20

Assembly / 安装说明

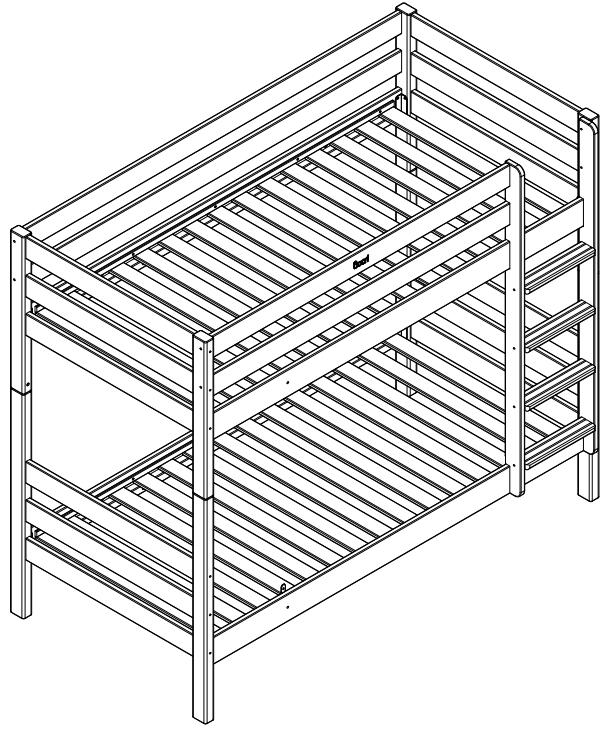
15

Warning: Do not exceed line of mattresses.

注意：6岁以下的儿童有从上层床跌落的风险！上床的床褥应不超过标记线。

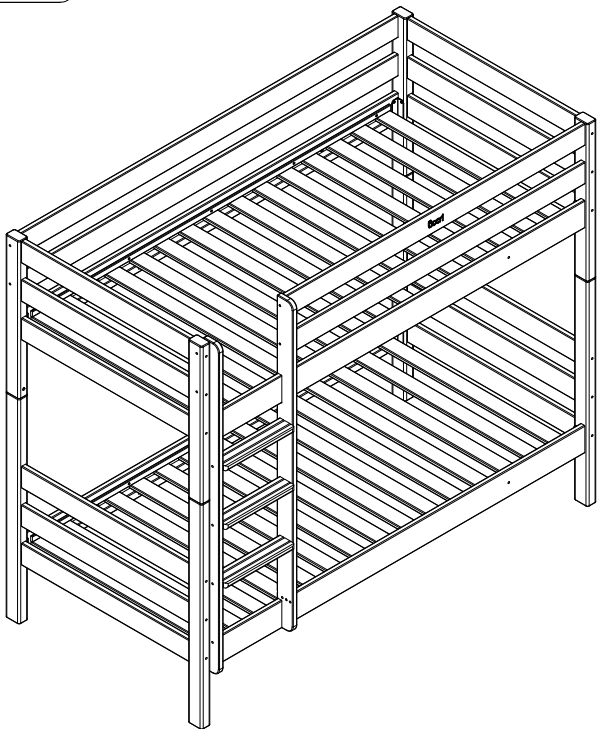


OR:
或者：

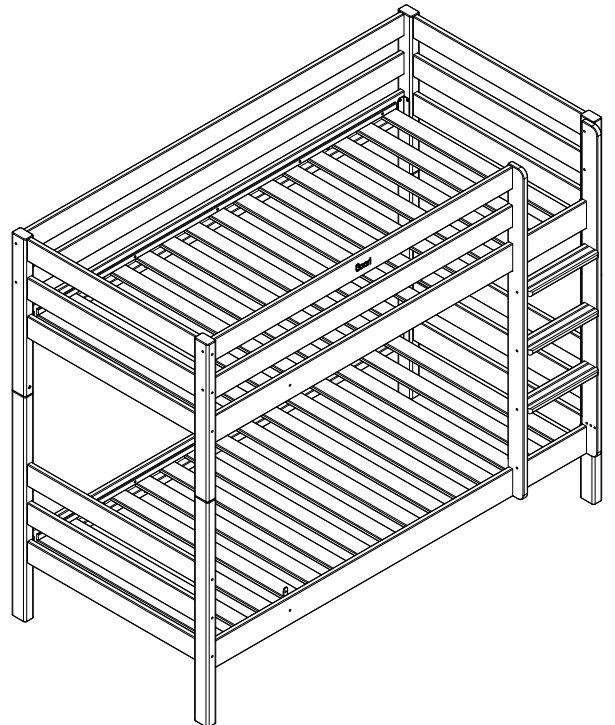


16

For Australia only



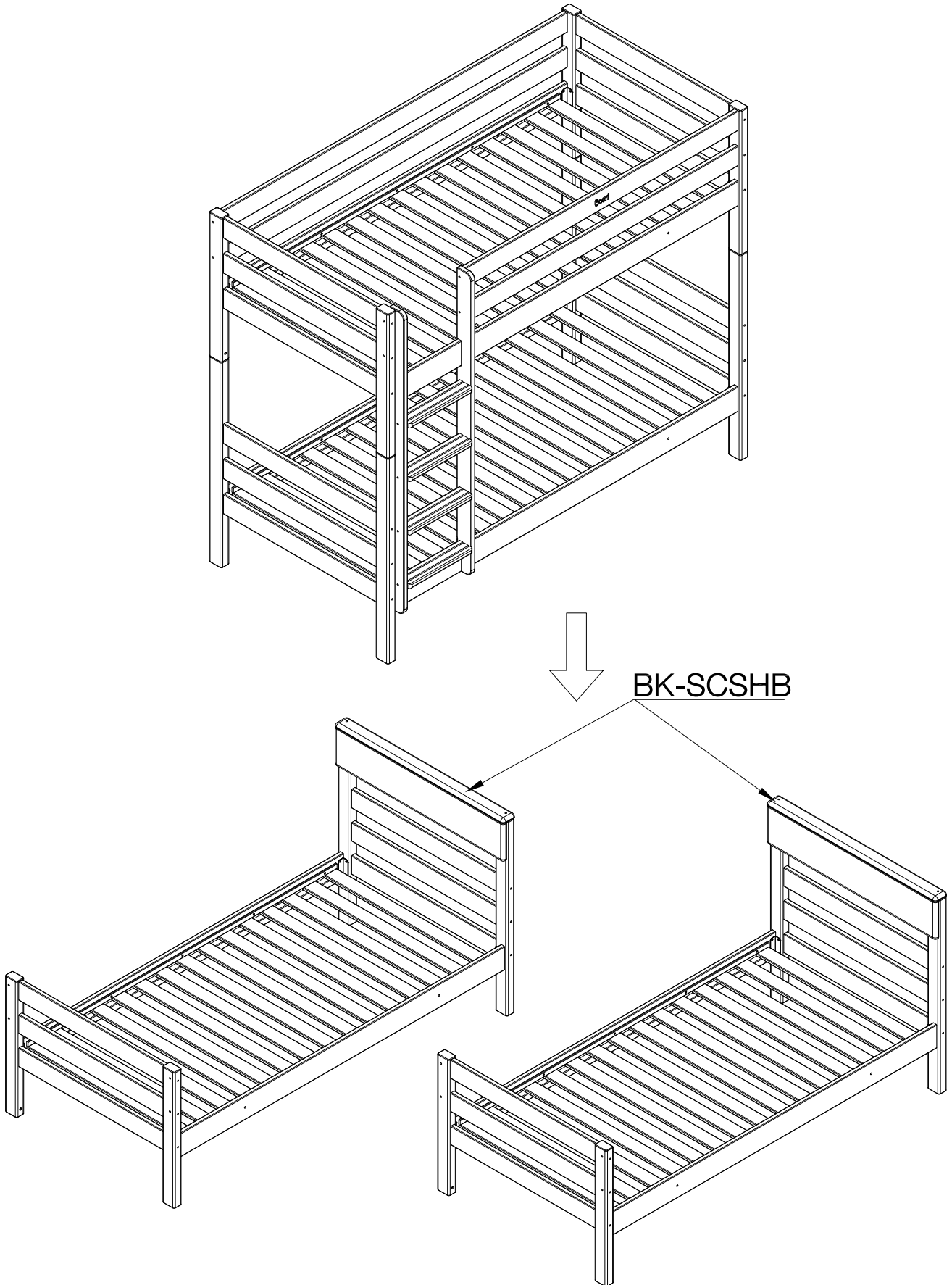
OR:
或者：



CONVERT YOUR SINGLE BUNK BED TO SINGLE BED / 转换成单人床

17

For the Single bed Conversion ,item BK-SCSHB(Scout Single bed Headboard) is sold separately and available in matching finish.
转换成单人床时，所配套的床头靠板BK-SCSHB需要单独购买。



Boori Furniture

NOTE: Use only spare parts approved by the manufacturer

EN 747-1:2012+A1:2015

⚠ WARNING: Do not leave the child unattended

1. **WARNING:** “High beds and the upper bed of bunk beds are not suitable for children under six years due to the risk of injury from falls”;
2. **WARNING:** “Bunk beds and high beds can present a serious risk of injury from strangulation if not used correctly. Never attach or hang items to any part of the bunk bed that are not designed to be used with the bed, for example, but not limited to ropes, strings, cords, hooks, belts and bags”;
3. **WARNING:** “Children can become trapped between the bed and the wall, a roof pitch, the ceiling, adjoining pieces of furniture (e.g. cupboards) and the like. To avoid risk of serious injury the distance between the top safety barrier and the adjoining structure shall not exceed 75 mm or shall be more than 230 mm”;
4. **WARNING:** Do not use the bunk bed/high bed if any structural part is broken or missing ;
5. always follow the manufacturer’s instructions ;
6. Recommended **Top Mattress** size: 1900 x 900 . The mattress thickness must be less than 180mm ;
7. Ventilation of the room is necessary in order to keep the humidity low and to prevent mould in and around the bed ;
8. To check regularly that all assembly fastenings are properly tightened;
9. This product is certified to comply with **EN 747 : 2012+A1 : 2015**

AS/NZS 4220:2010

a. A warning and statement as follows

**WARNING: TOP BUNKS AND ELEVATED BEDS
ARE DANGEROUS AND ARE NOT RECOMMENDED
FOR CHILDREN UNDER THE AGE OF 9**

Falls from elevated beds can be fatal and deaths have occurred where children have fallen from elevated beds. This is relevant for all ages. The risk is greater for younger children.

The risk of injury or death from a fall from an elevated bed compared to a non-elevated bed is:

**10 x greater for 7-8 year olds
7 x greater for 9-10 year olds
3 x greater for 11-12 year olds**

b. Children should be discouraged from playing on the bunk bed .

c. That the bunk bed should be checked periodically to ensure that the guardrail, access device and other components are maintained in the correct position and state of repair and that all connectors are tight.

d. **WARNING The upper bunk must be more than 2 m from any ceiling fan.**

We hope you love your new Boori Kids furniture and it becomes an important part of your family home. In order to keep your furniture looking its best, please follow these care instructions.

Assembly

- When assembling your furniture, please follow the assembly instructions and use the tools supplied
- Boori products should only be assembled by an adult away from children
- Heavy components should be lifted by two people to prevent injury
- Every section that is assembled should be checked after assembly before moving onto the next stage

Product Positioning

- This product is made of timber and is therefore flammable
- Do not place your Boori furniture near open flames, fire places or extreme heat sources such as electric or gas heaters
- Do not direct sprayers or humidifiers at the furniture as they can cause damage
- Where possible avoid exposing furniture to extreme changes in temperature. Timber is a natural product and will want to expand and contract as the temperature varies. Extreme temperature variations can damage timber products.
- Avoid direct exposure to sunlight as this can cause our natural timber and plant oil colours to fade.
- Black rubber feet on items such as radios, computers and picture frames can cause marks. Always use a felt mat (not plastic) to protect your Boori furniture
- Do not place in damp environments or areas with high levels of moisture as this encourages mould growth.

Cleaning

- Clean your furniture by wiping with a soft, damp cloth
- If necessary, use a mild soapy solution and wipe clean with a soft cloth
- Do not use strong household cleaners
- Always wipe in the direction of the wood grain, not in circles.
- Wipe up spills immediately with a soft cloth
- Protect the furniture against bedwetting as this can lead to discolouration

Maintenance

- We advise that you regularly check the safety of your furniture
- Ensure all bolts and screws are tightened and check for loose connections, missing parts or sharp or pointed edges
- Avoid contact with sharp objects and hot liquids
- When moving furniture always lift and place it into position; do not drag. We recommend that two people lift or alter the positioning of the furniture

Product testing Standards

- Standard: GB 28007-2011 EN 747-1: 2012+ A1: 2015 AS/NZS 4220: 2010