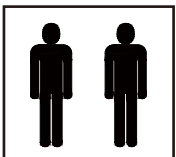
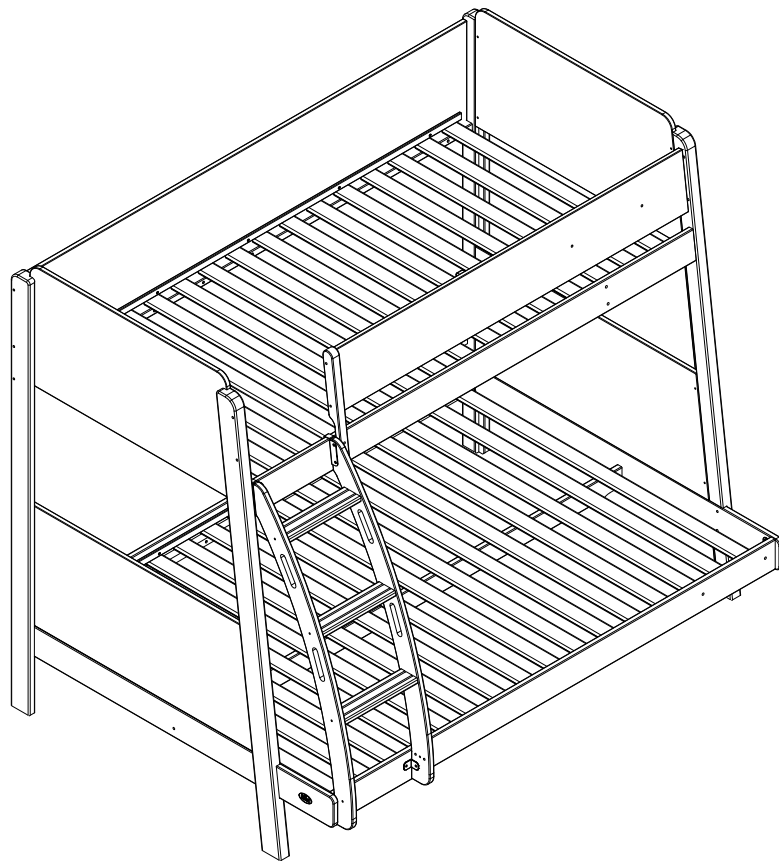


# Boori

## Natty



### Long Maxi Bunk bed



**IMPORTANT:  
PLEASE READ THE INSTRUCTIONS CAREFULLY  
AND KEEP FOR FUTURE REFERENCE**

BK-NALMBB

**Boori Australia Pty Ltd**  
 26 Peter Brock Drive  
 Eastern Creek Sydney  
 NSW 2766 Australia  
 Tel: +61 2 9833 3769  
 Fax: +61 2 9673 4240  
 www.boori.com.au

**Boori (Europe) Ltd**  
 Unit 1 Riverside House,  
 Mill Lane, Newbury,  
 Berkshire, RG 14 5QS UK  
 Tel: +44 016 3529 5670  
 Fax: +44 016 3587 7552  
 www.boori.co.uk

**Halim & Boori Company**  
 10F. Halim INT'L B/D, #1674-4,  
 Seocho-Dong, Seocho-Gu,  
 Seoul, Korea  
 Tel: +82 2598 1470  
 Fax: +82 2583 8885  
 E-mail: ted@boori.co.kr  
 Postal code: 137-725.

ブーリジャパン株式会社  
 〒141-0031  
 東京都品川区西五反田  
 7-22-17 TOCビル5F  
 TEL:03-6420-0024  
 EMAIL:info@boori.co.jp  
 HP:www.boori.jp

上海薇奈莎商贸有限公司  
 上海市青浦区徐泾镇华徐公路577号  
 VEG微格创意园A8-10室  
 邮编: 201702  
 电话: +86 21 5296 6600  
 传真: +86 21 5296 6636  
 网址: www.boori.com.cn

## Natty Long Maxi Bunk bed(BK-NALMBB)

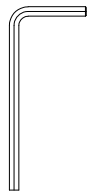
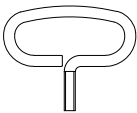
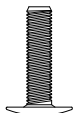
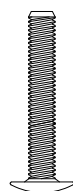
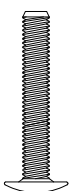
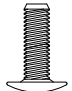
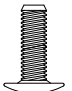
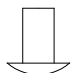
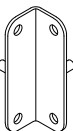
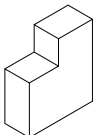
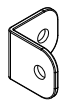



Dimensions :

(External) : 2110\*1519\*1775mm

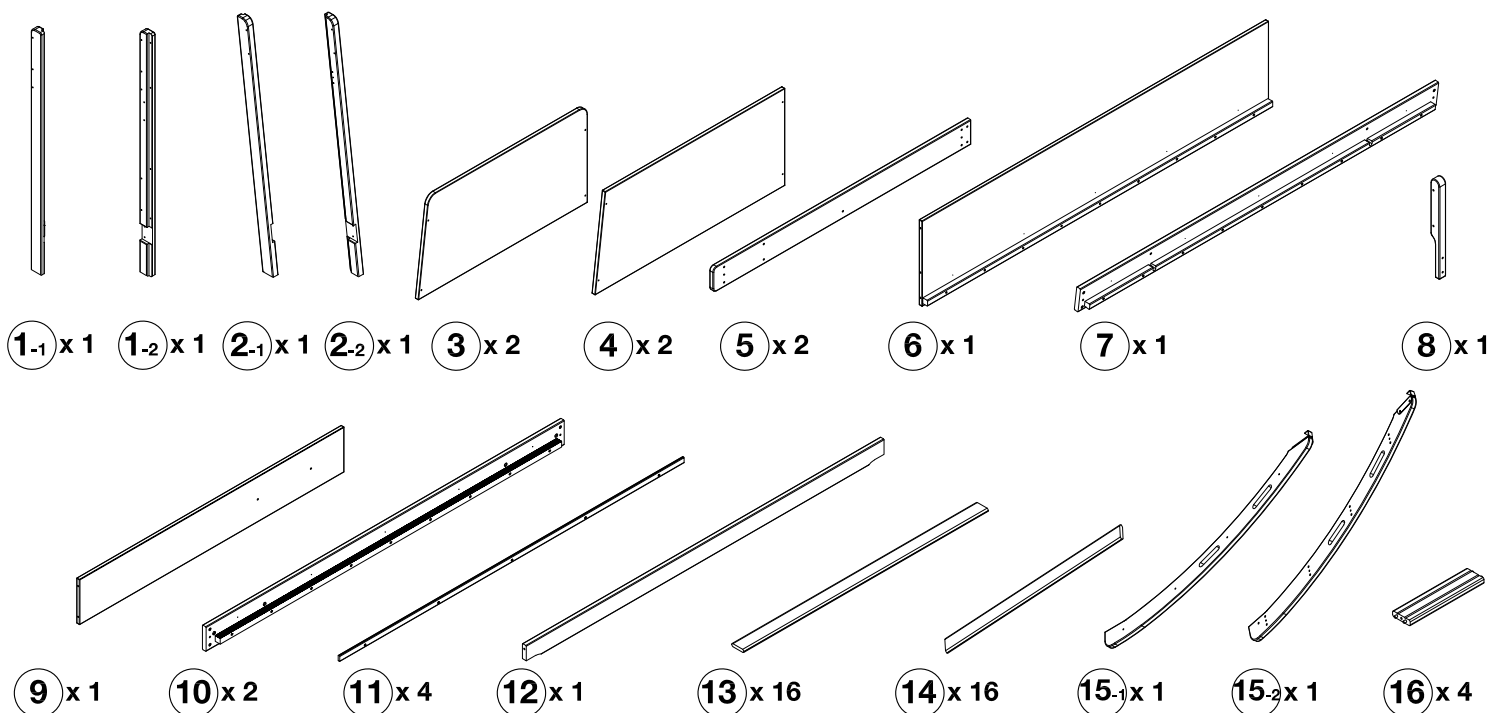
(Internal) : 2020\*1020 / 2020\*1380mm

Main Materials: Australian Araucaria/ Plywood/  
 European Beech/ LVL

### Hardware

A x 1	B x 1	C x 28	D x 6	E x 12	F x 28	G x 12	H x 10
							
		M6 x 35	M6 x 47	M6 x 70	M6 x 18	M6 x 13	M6 x 14
I x 6	J x 2	K x 2	L x 20	M x 18	N x 24		
							
			Ø3.5 x 16	M6 x 14			

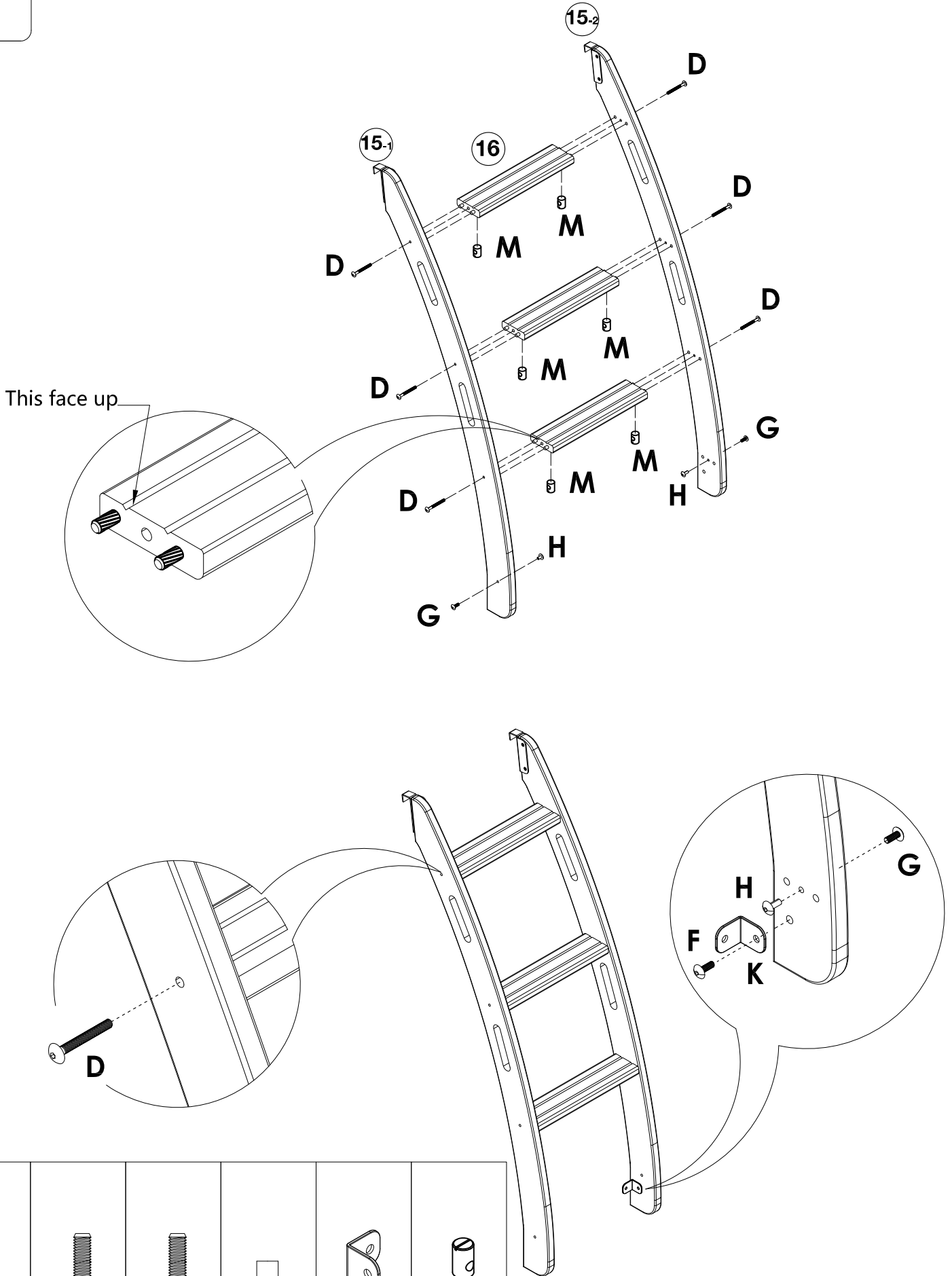
### Parts List



NOTE: Use only spare parts approved by the manufacture.

# Assembly

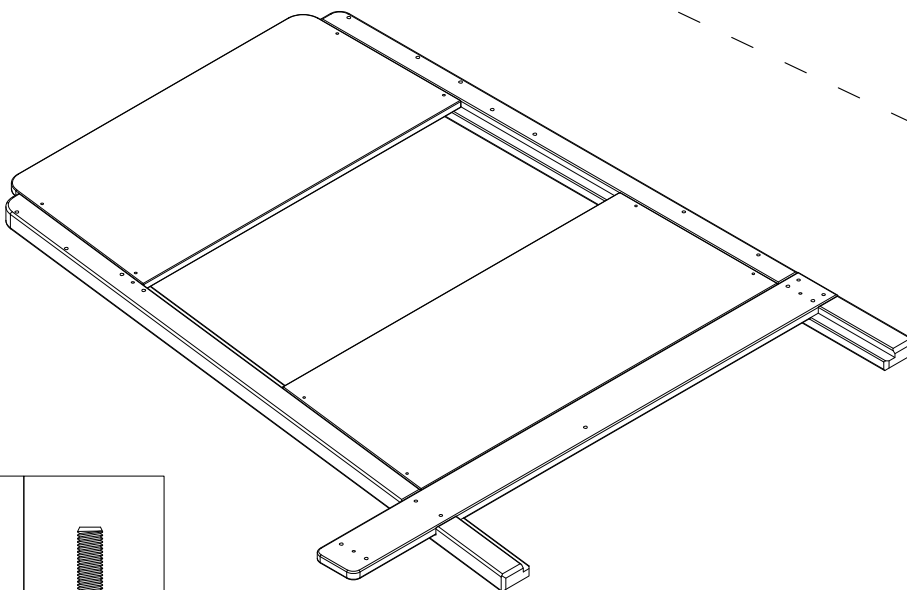
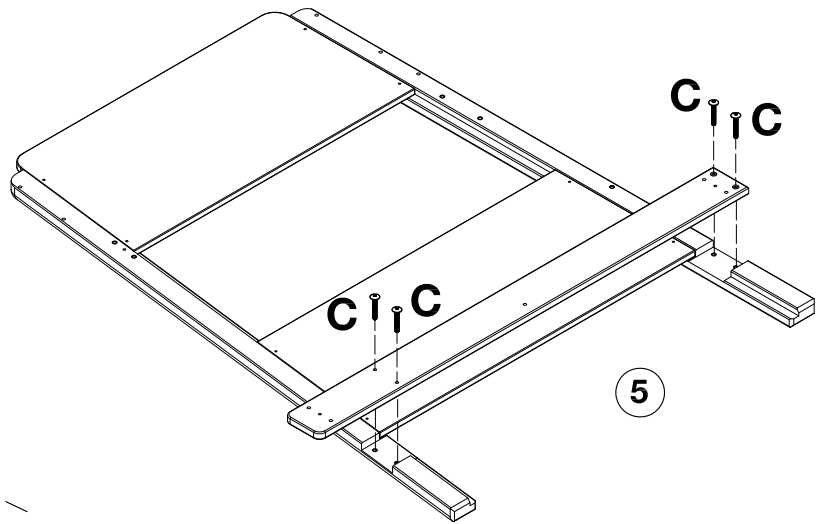
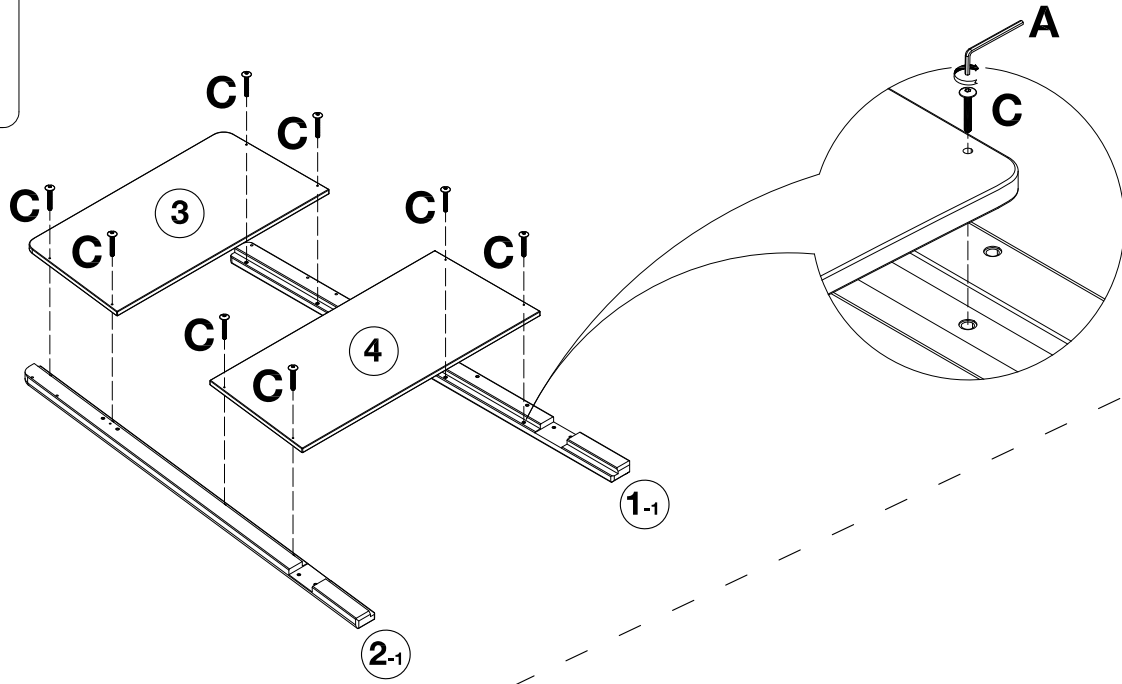
# 1



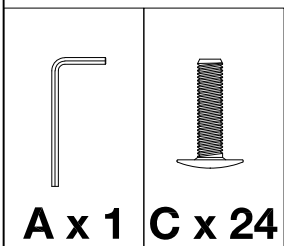
<b>D x 6</b>	<b>F x 2</b>	<b>G x 2</b>	<b>H x 2</b>	<b>K x 2</b>	<b>M x 6</b>

# Assembly

## 2

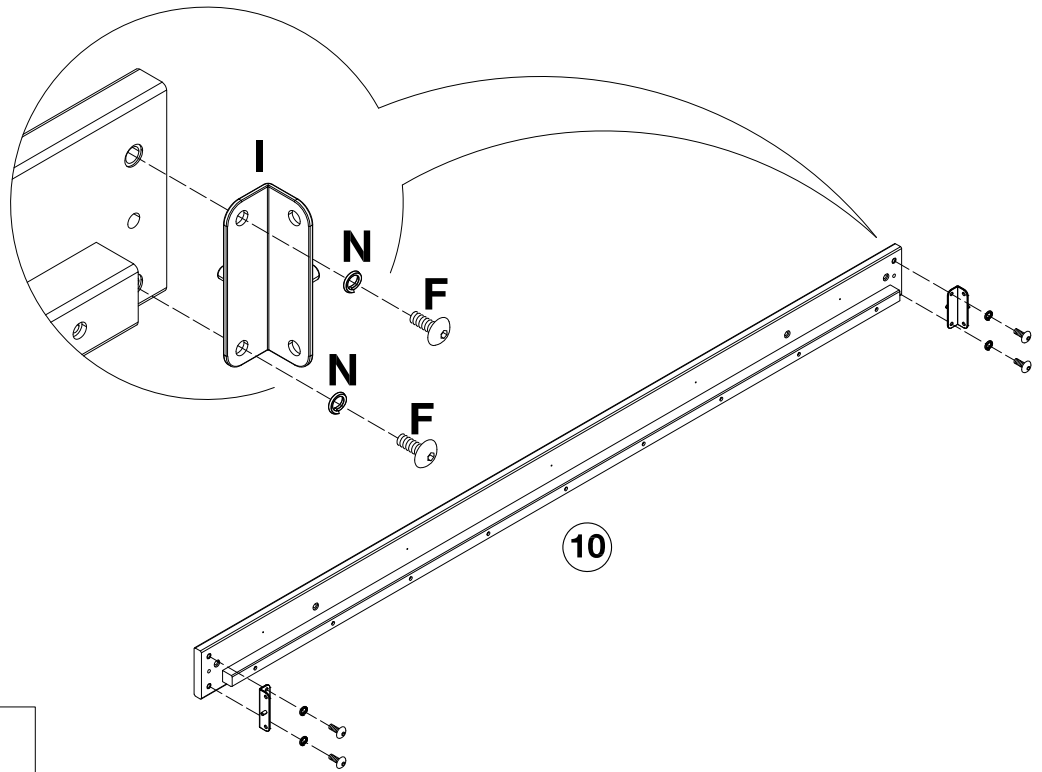


NOTE: Install another one in the same way.

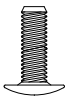


# Assembly

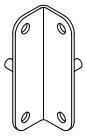
## 3



NOTE: Install another one in the same way.



**F x 8**

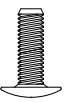
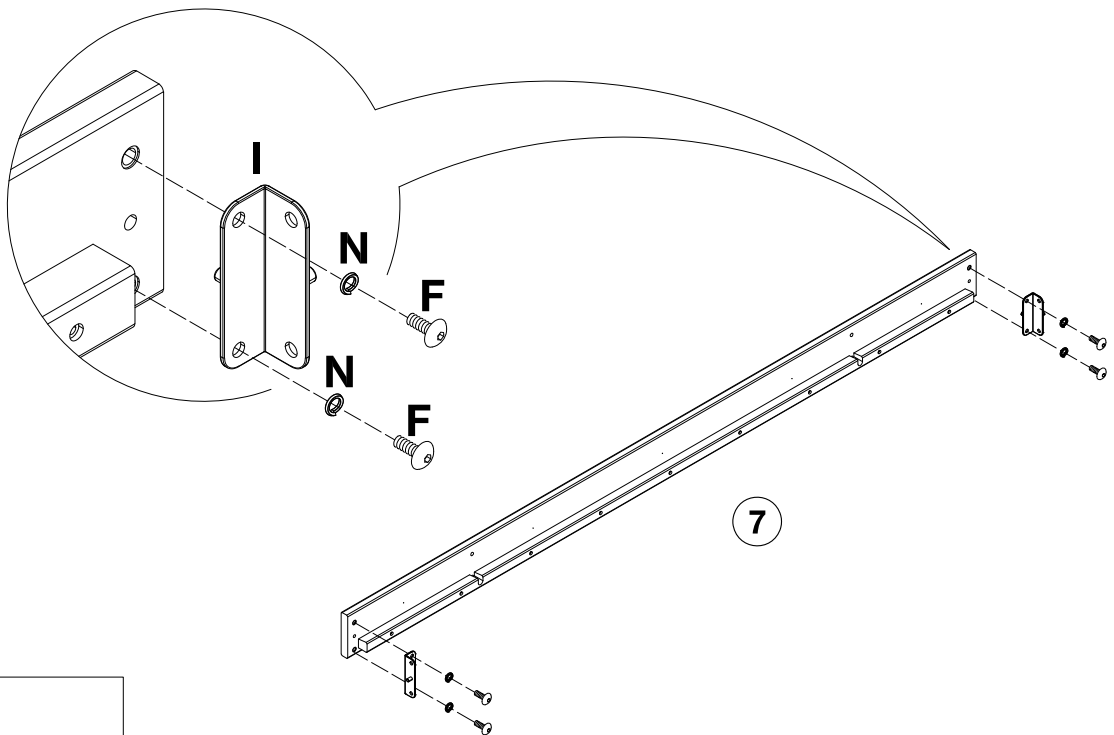


**I x 4**

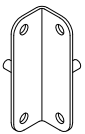


**N x 8**

## 4



**F x 4**



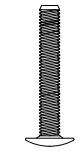
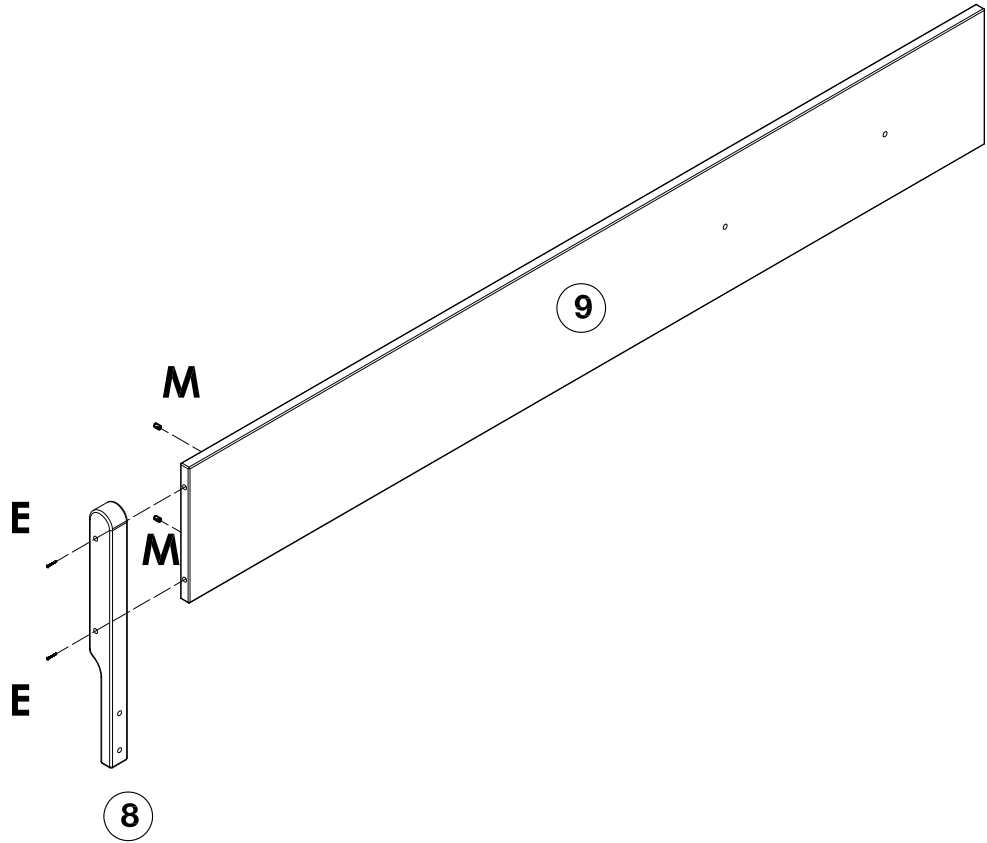
**I x 2**



**N x 4**

# Assembly

## 5



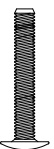
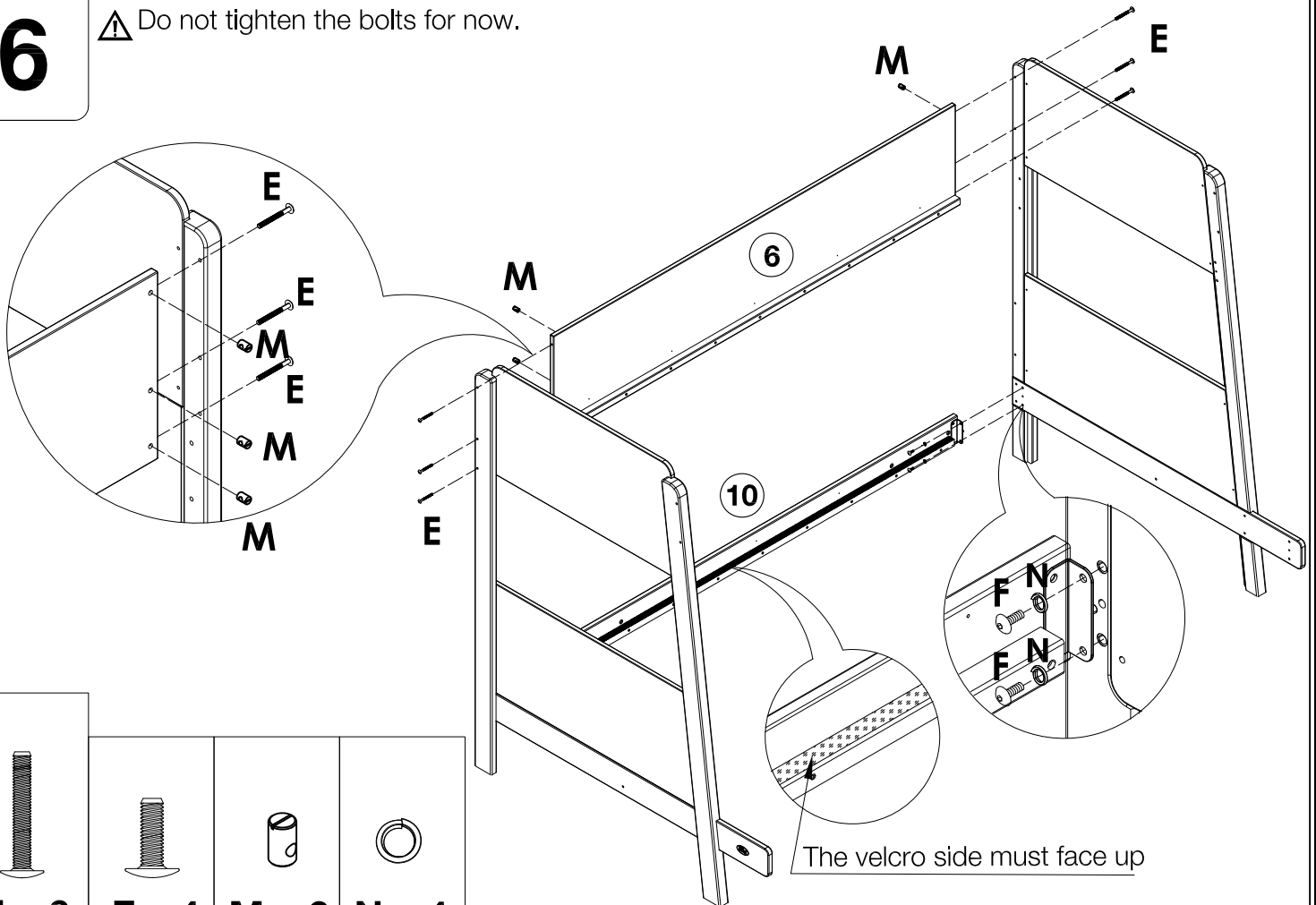
**E x 2**



**M x 2**

## 6

⚠ Do not tighten the bolts for now.



**E x 6**



**F x 4**



**M x 6**



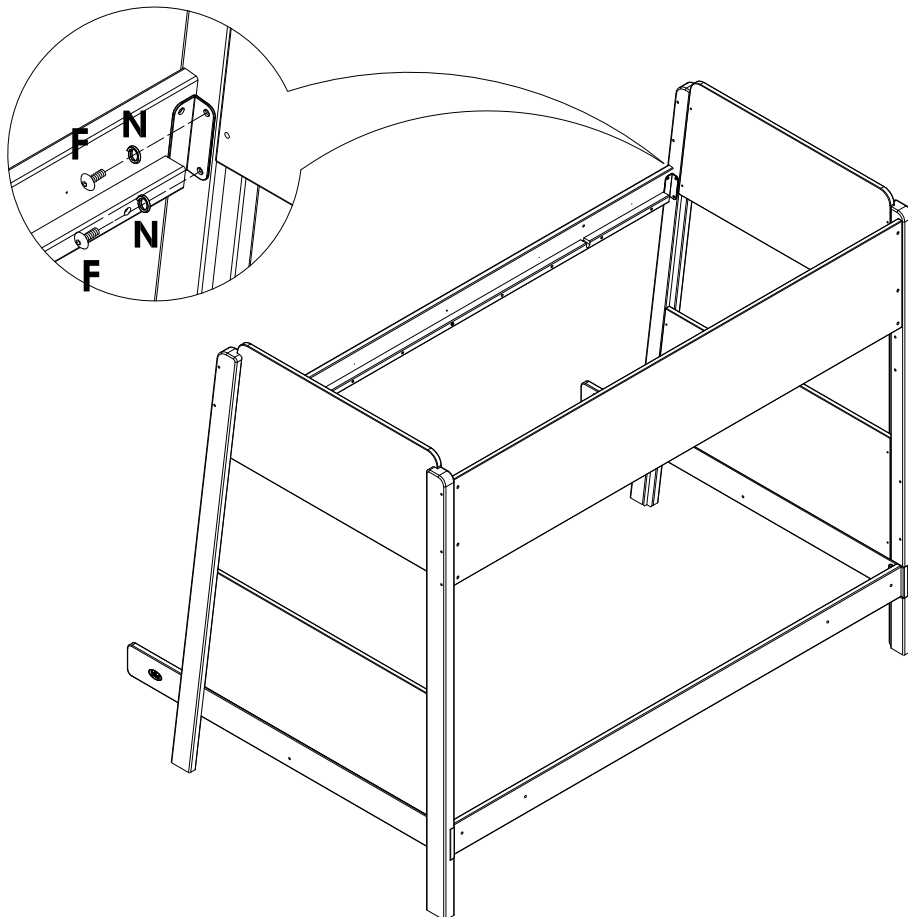
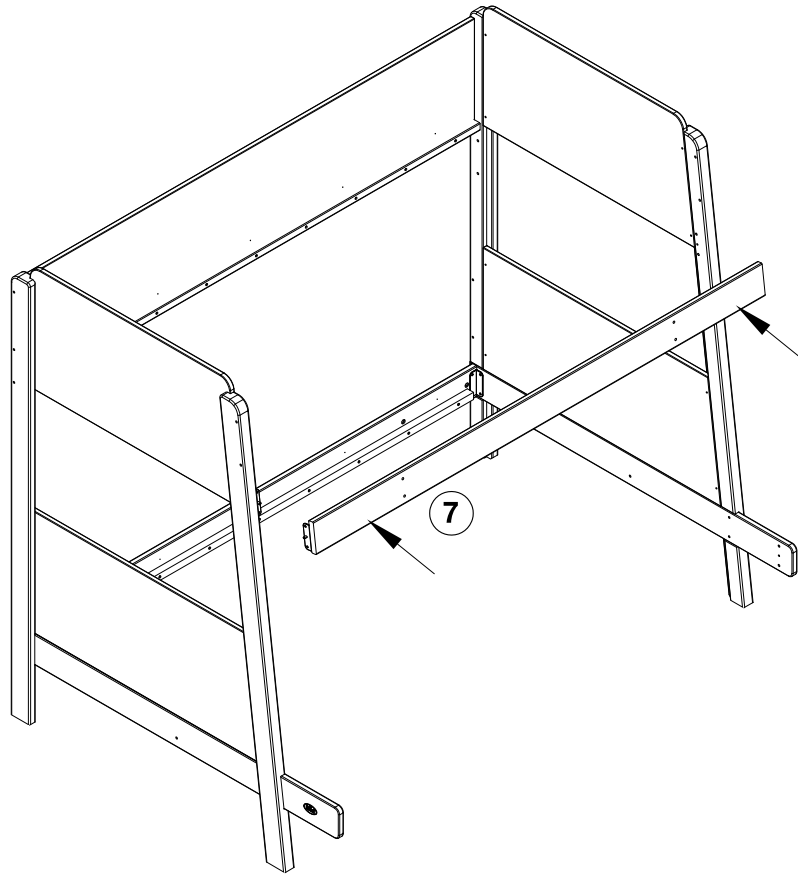
**N x 4**

The velcro side must face up

# Assembly

# 7

⚠ Do not tighten the bolts for now.

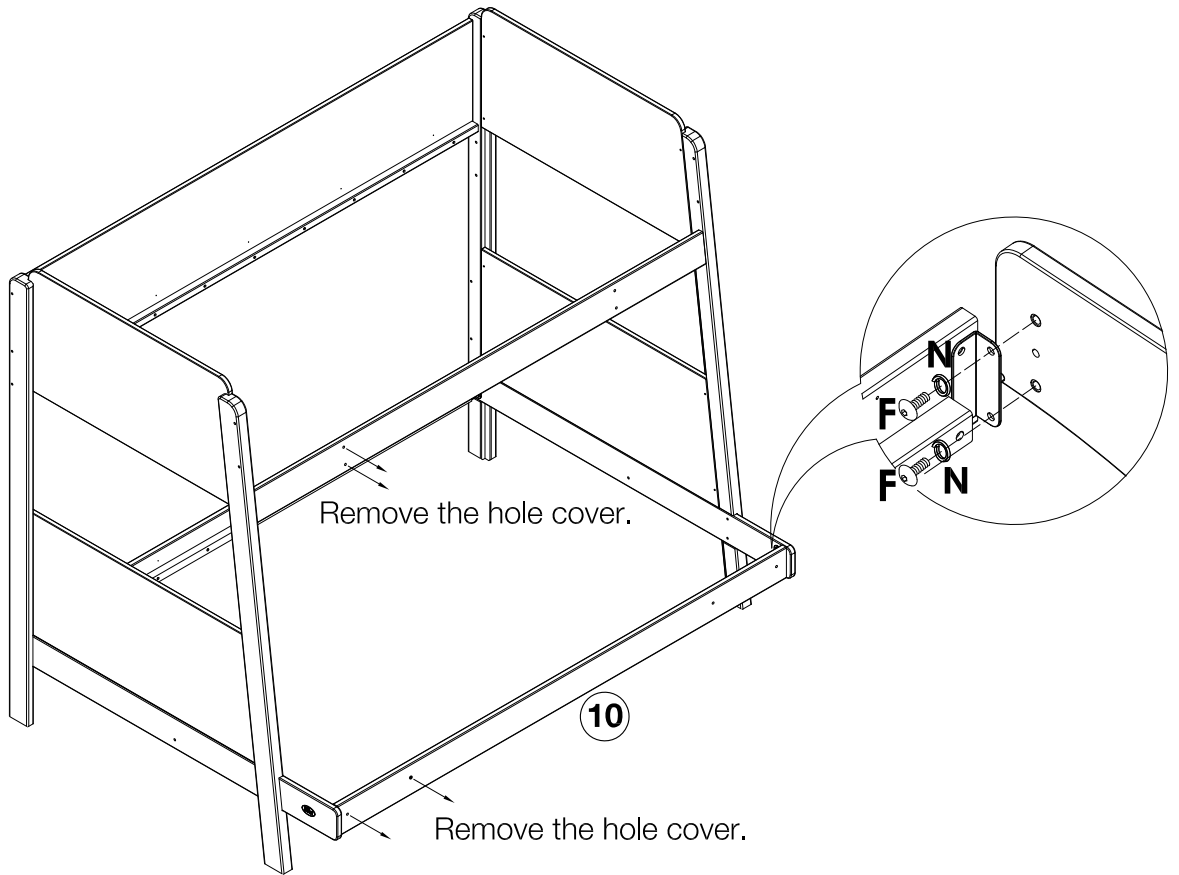


**F x 4 N x 4**

# Assembly

## 8

⚠ Do not tighten the bolts for now.



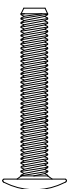
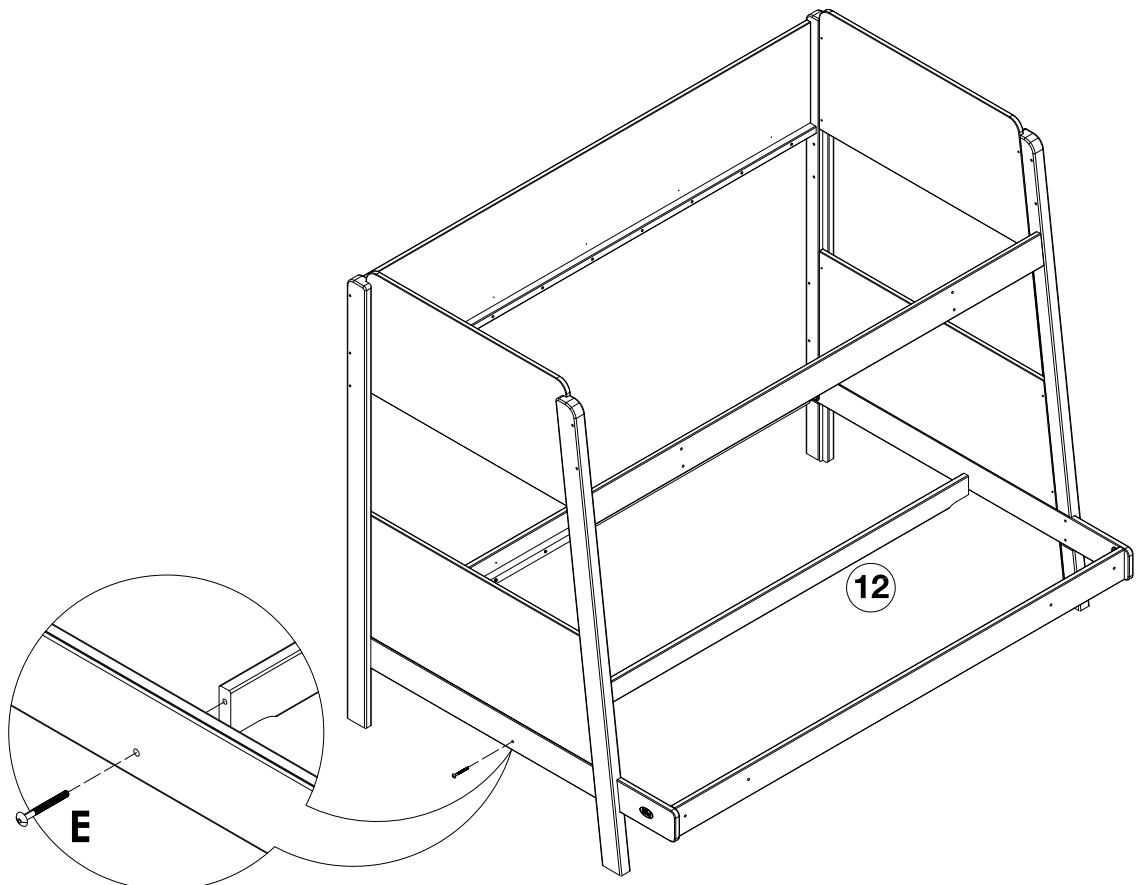
**F x 4**



**N x 4**

## 9

⚠ Tighten all the connecting bolts .



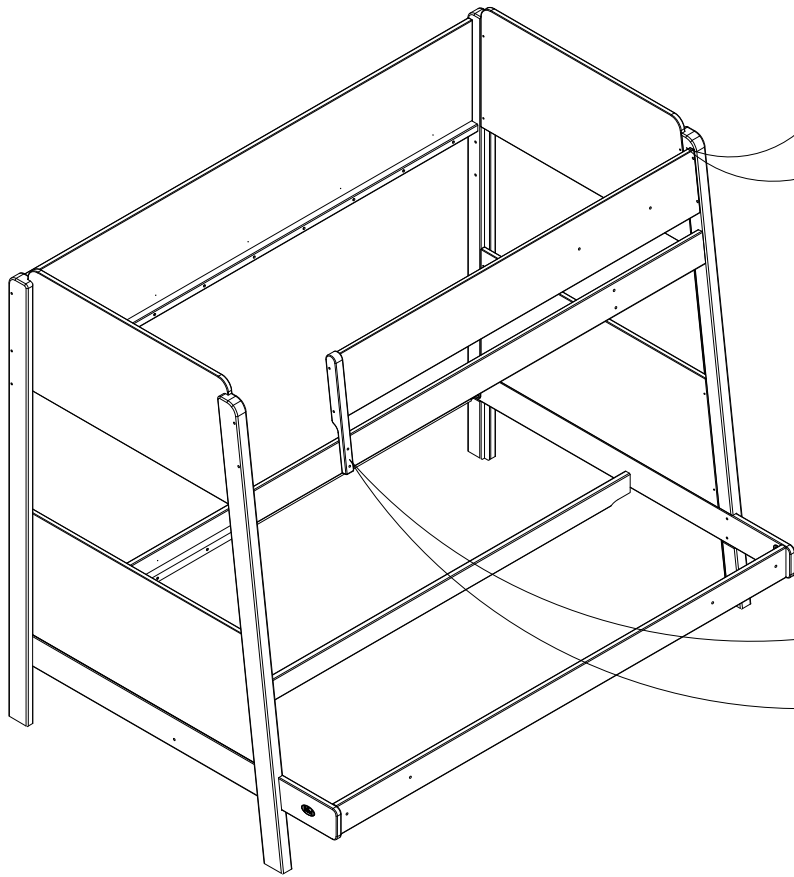
**E x 2**



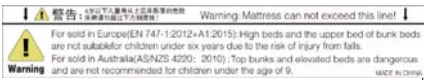
# Assembly

# 10

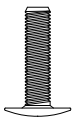
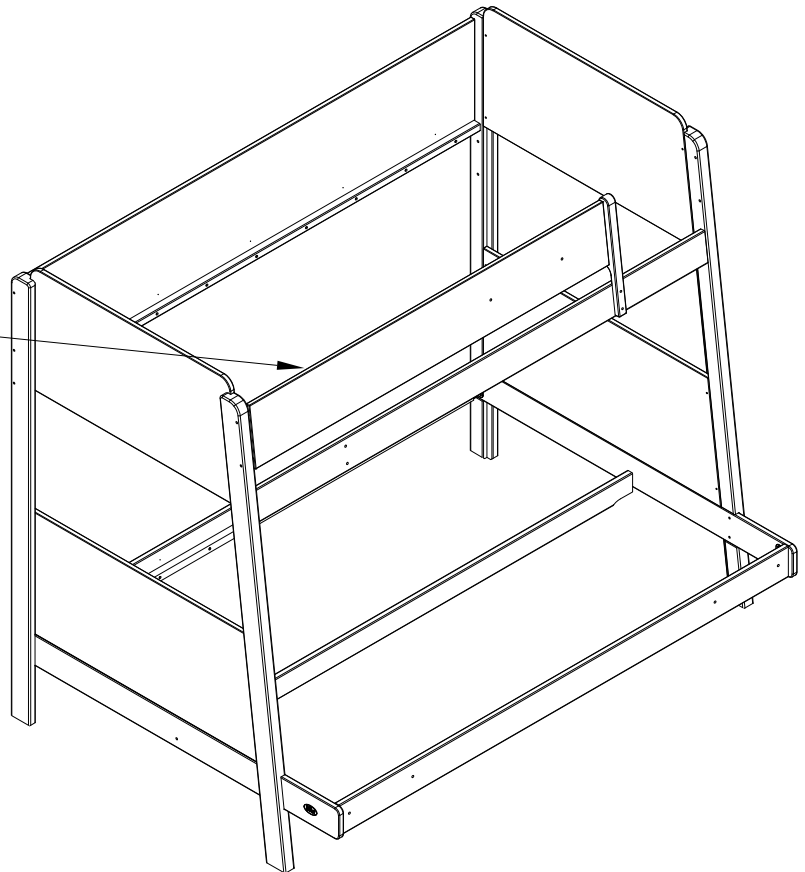
⚠️ Tighten all the connecting bolts .



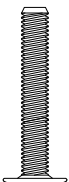
Or:



Note: warning label on inside.



**C x 2**



**E x 2**



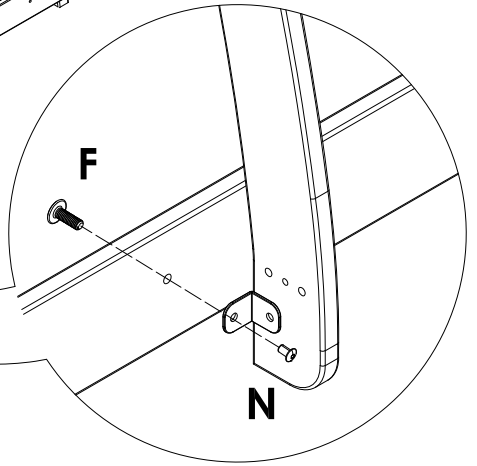
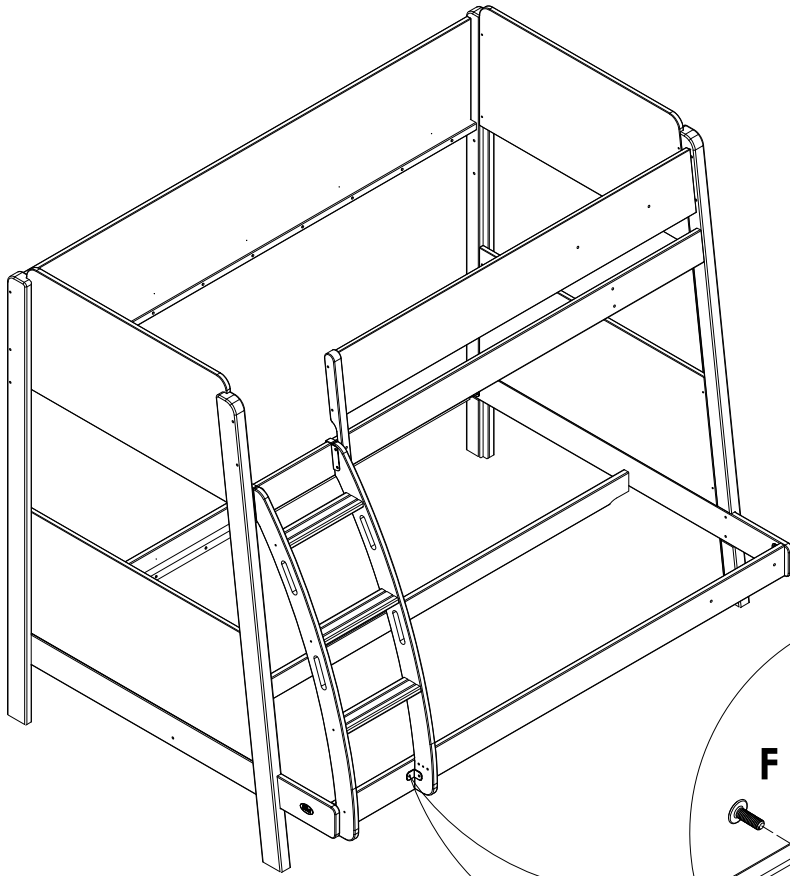
**H x 2**



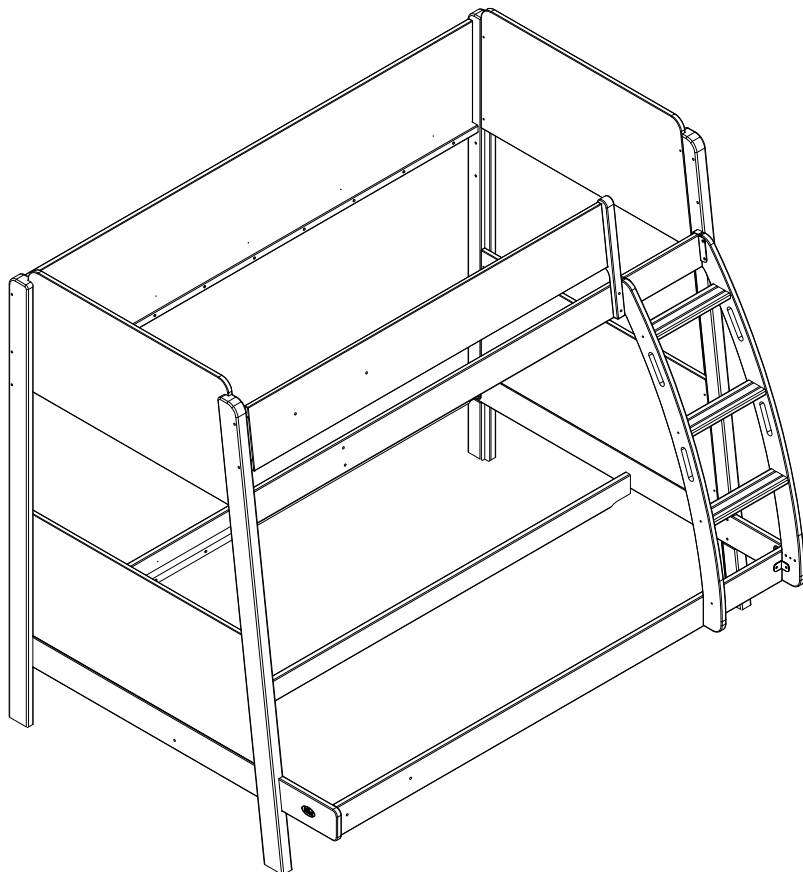
**M x 2**

# Assembly

# 11



Or:



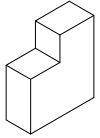
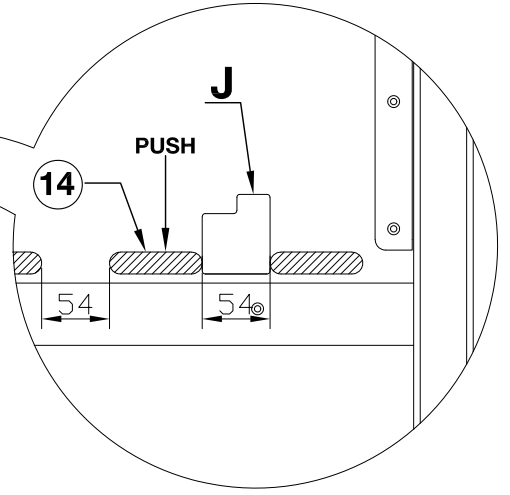
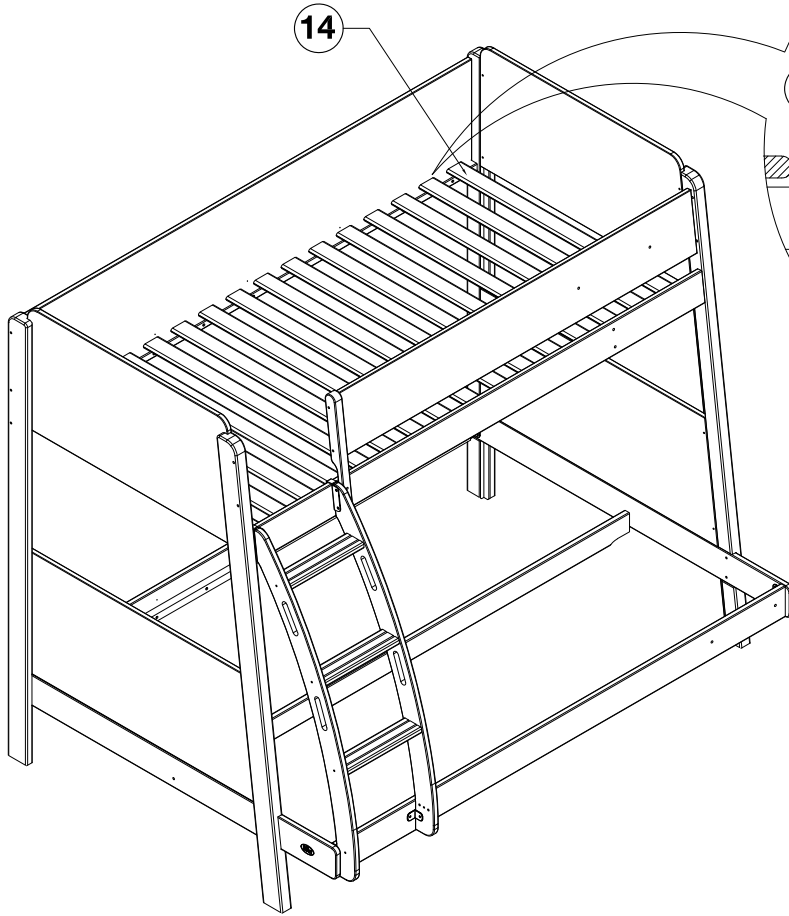
**F x 2**



**N x 2**

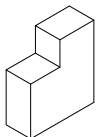
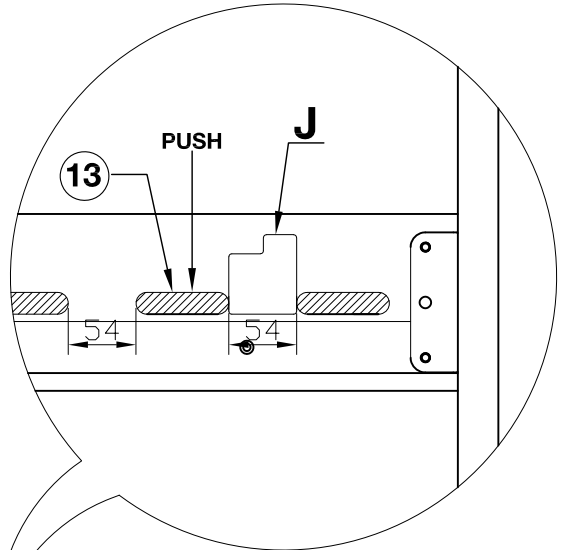
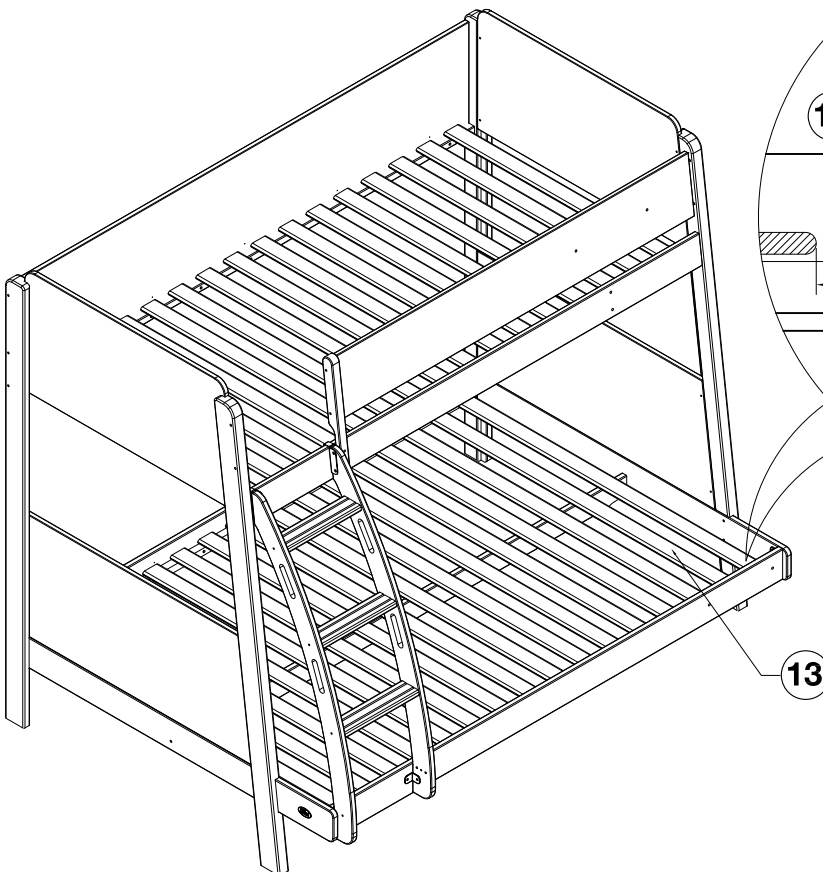
# Assembly

## 12



**J x 2**

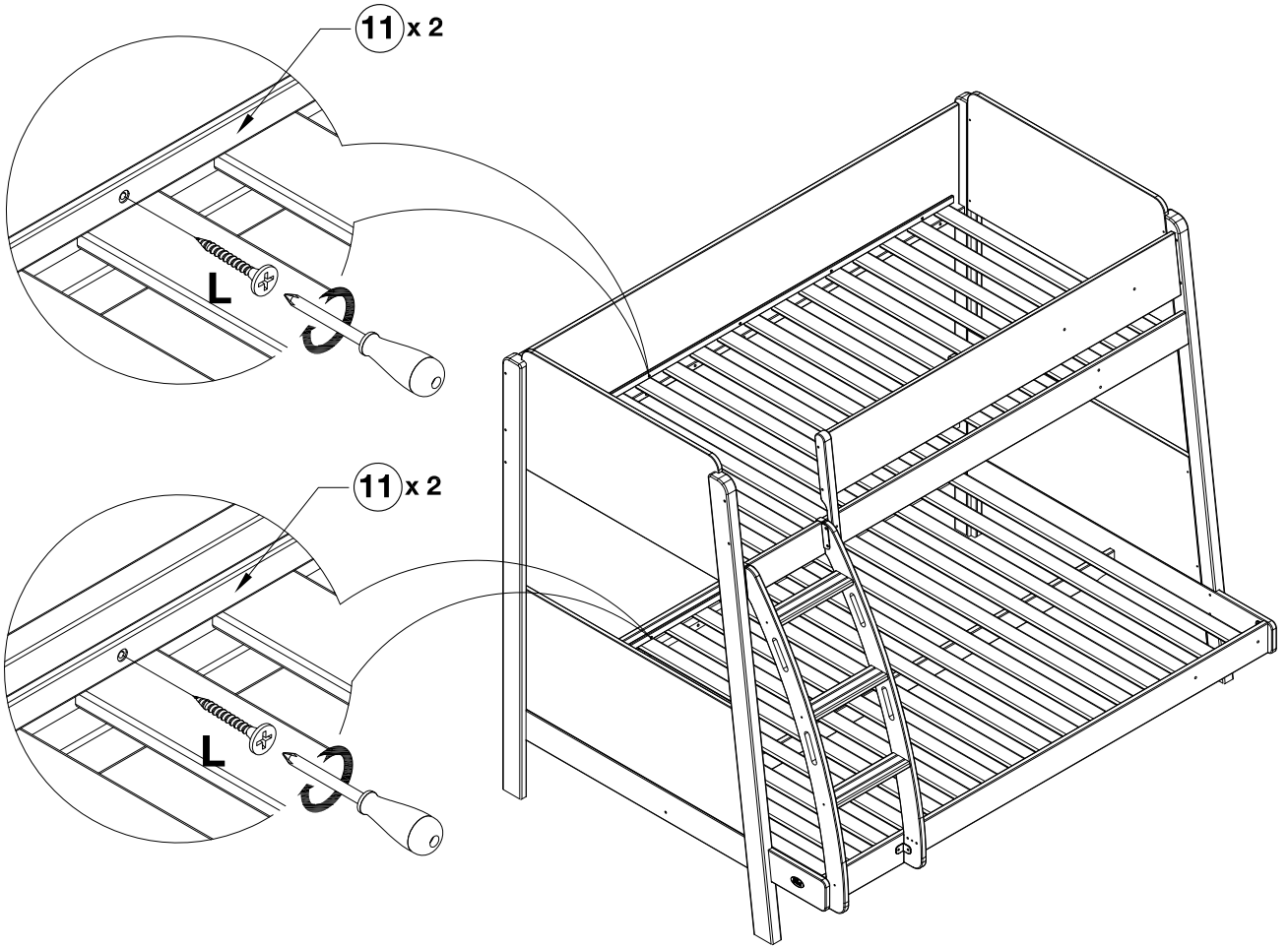
## 13



**J x 2**

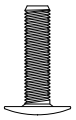
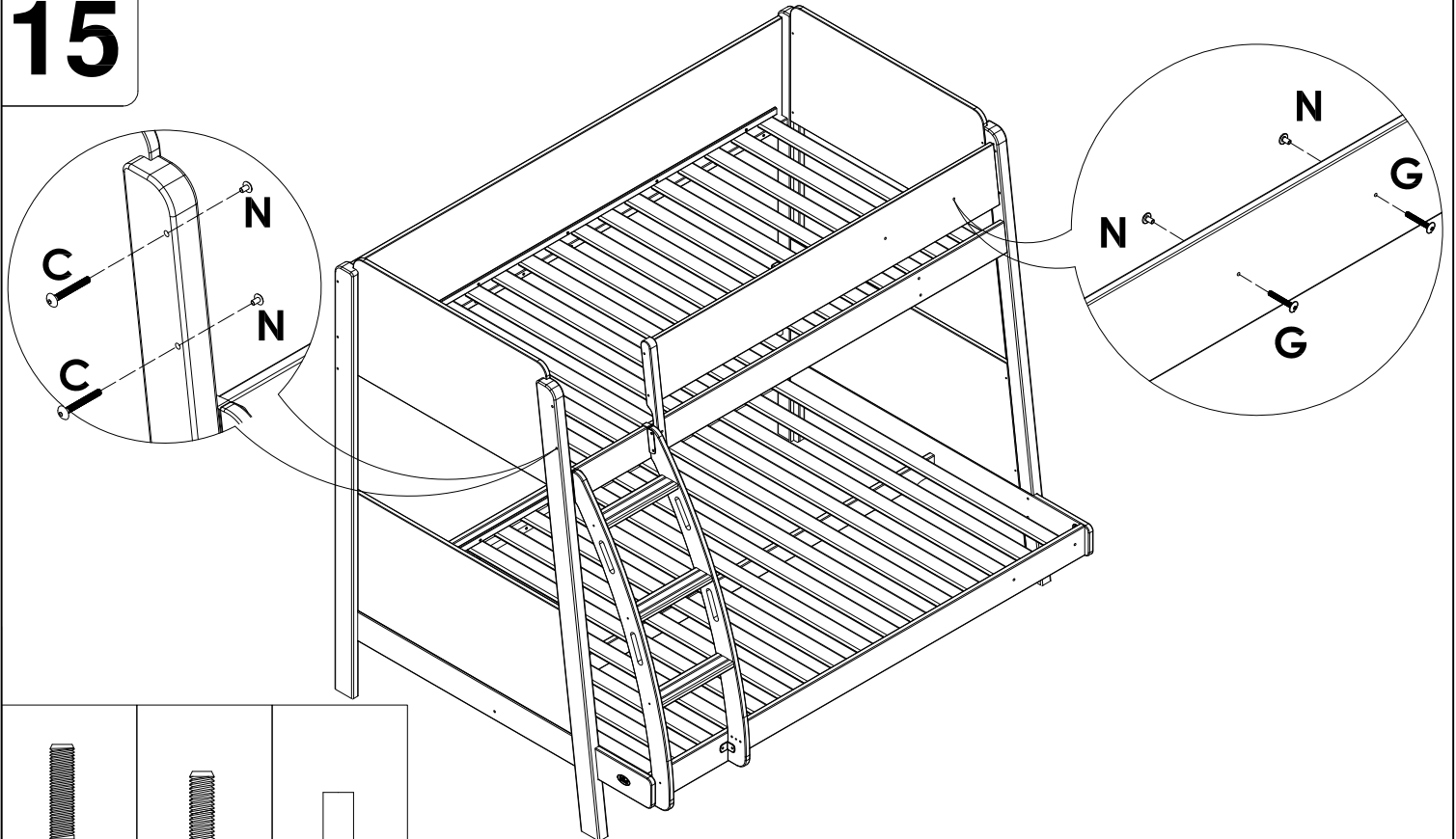
# Assembly

## 14



L x 20

## 15



C x 2



G x 2

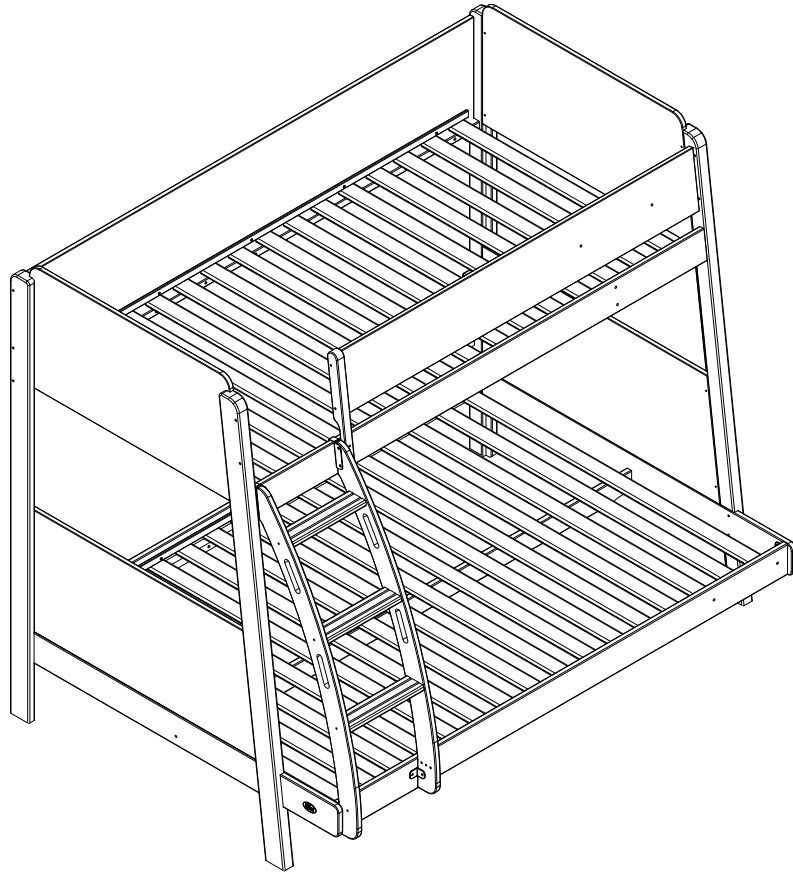


N x 4

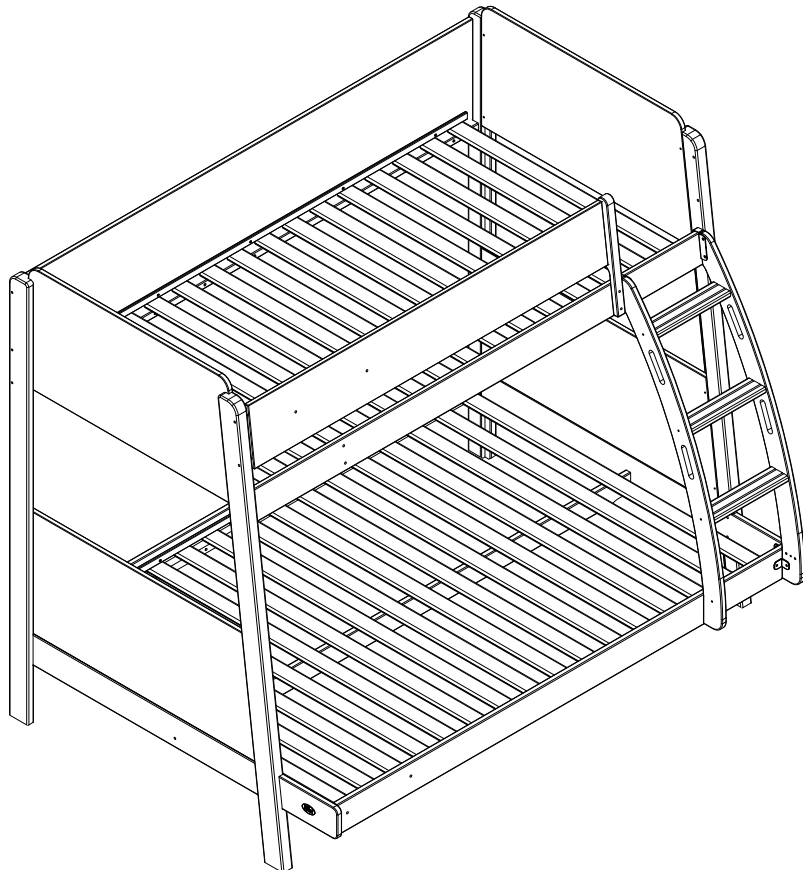
# Assembly

# 16

Warning: Do not exceed line of mattresses.



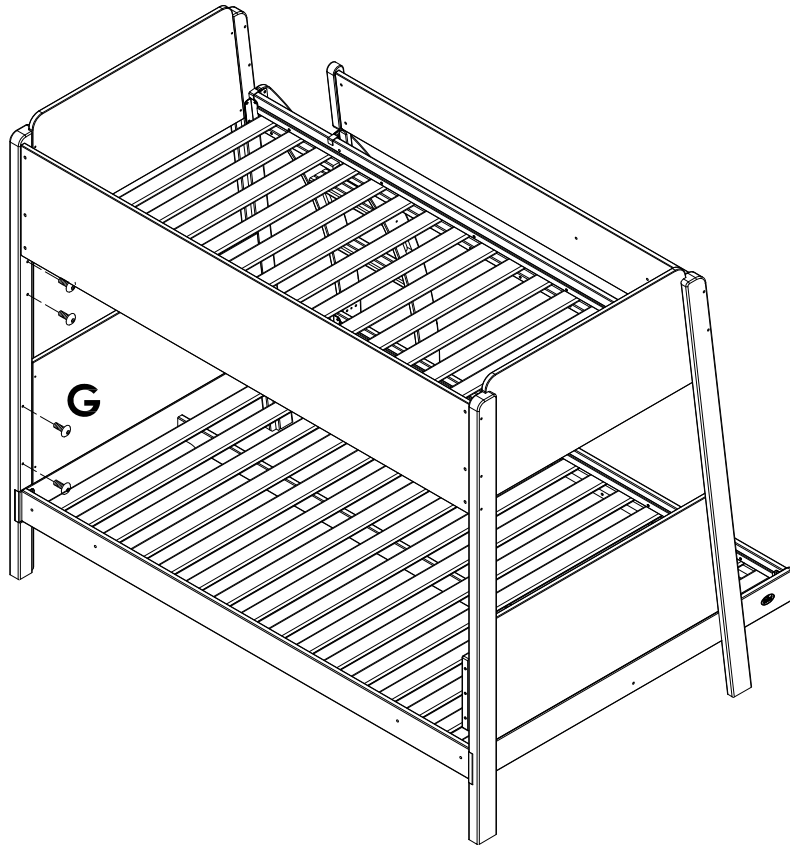
Or:



## Assembly

17

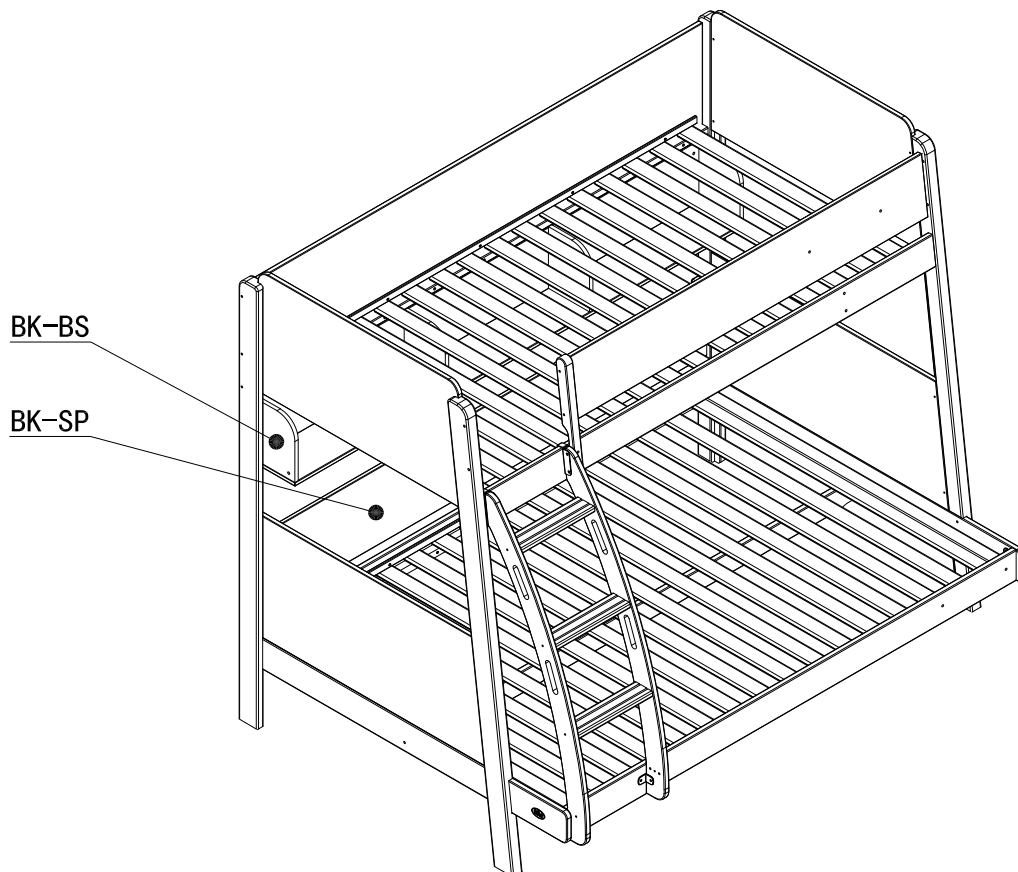
Please use the 4xM screws to block the remaining holes on the legs as shown in the figure to avoid potential injury caused by children's finger insertion.



G x 8

18

The matching bookshelf BK-BS and guardrail BK-SP need to be purchased separately.



# Boori Furniture

**NOTE:** Use only spare parts approved by the manufacturer

EN 747-1:2012+A1:2015

**⚠ WARNING:** Do not leave the child unattended

1. **WARNING:** “High beds and the upper bed of bunk beds are not suitable for children under six years due to the risk of injury from falls”;
2. **WARNING:** “Bunk beds and high beds can present a serious risk of injury from strangulation if not used correctly. Never attach or hang items to any part of the bunk bed that are not designed to be used with the bed, for example, but not limited to ropes, strings, cords, hooks, belts and bags”;
3. **WARNING:** “Children can become trapped between the bed and the wall, a roof pitch, the ceiling, adjoining pieces of furniture (e.g. cupboards) and the like. To avoid risk of serious injury the distance between the top safety barrier and the adjoining structure shall not exceed 75 mm or shall be more than 230 mm”;
4. **WARNING:** Do not use the bunk bed/high bed if any structural part is broken or missing ;
5. always follow the manufacturer’s instructions ;
6. When the inner length dimension is 2020mm  
Recommended **Bottom Mattress** size: 1990 x 1350 . The mattress thickness must be less than 180mm ;  
Recommended **Top Mattress** size: 1990 x 990 . The mattress thickness must be less than 150mm ;
7. Ventilation of the room is necessary in order to keep the humidity low and to prevent mould in and around the bed ;
8. To check regularly that all assembly fastenings are properly tightened;
9. This product is certified to comply with **EN 747 : 2012+A1 : 2015**

AS/NZS 4220:2010

a. A warning and statement as follows

**WARNING: TOP BUNKS AND ELEVATED BEDS  
ARE DANGEROUS AND ARE NOT RECOMMENDED  
FOR CHILDREN UNDER THE AGE OF 9**

**Falls from elevated beds can be fatal and deaths have occurred where children have fallen from elevated beds. This is relevant for all ages. The risk is greater for younger children.**

**The risk of injury or death from a fall from an elevated bed compared to a non-elevated bed is:**

**10 x greater for 7-8 year olds  
7 x greater for 9-10 year olds  
3 x greater for 11-12 year olds**

- b. Children should be discouraged from playing on the bunk bed .
- c. That the bunk bed should be checked periodically to ensure that the guardrail, access device and other components are maintained in the correct position and state of repair and that all connectors are tight.
- d. **WARNING The upper bunk must be more than 2 m from any ceiling fan.**

We hope you love your new Boori Kids furniture and it becomes an important part of your family home. In order to keep your furniture looking its best, please follow these care instructions.

### **Assembly**

- When assembling your furniture, please follow the assembly instructions and use the tools supplied
- Boori products should only be assembled by an adult away from children
- Heavy components should be lifted by two people to prevent injury
- Every section that is assembled should be checked after assembly before moving onto the next stage

### **Product Positioning**

- This product is made of timber and is therefore flammable
- Do not place your Boori furniture near open flames, fire places or extreme heat sources such as electric or gas heaters
- Do not direct sprayers or humidifiers at the furniture as they can cause damage
- Where possible avoid exposing furniture to extreme changes in temperature. Timber is a natural product and will want to expand and contract as the temperature varies. Extreme temperature variations can damage timber products.
- Avoid direct exposure to sunlight as this can cause our natural timber and plant oil colours to fade.
- Black rubber feet on items such as radios, computers and picture frames can cause marks. Always use a felt mat (not plastic) to protect your Boori furniture
- Do not place in damp environments or areas with high levels of moisture as this encourages mould growth.

### **Cleaning**

- Clean your furniture by wiping with a soft, damp cloth
- If necessary, use a mild soapy solution and wipe clean with a soft cloth
- Do not use strong household cleaners
- Always wipe in the direction of the wood grain, not in circles.
- Wipe up spills immediately with a soft cloth
- Protect the furniture against bedwetting as this can lead to discolouration

### **Maintenance**

- We advise that you regularly check the safety of your furniture
- Ensure all bolts and screws are tightened and check for loose connections, missing parts or sharp or pointed edges
- Avoid contact with sharp objects and hot liquids
- When moving furniture always lift and place it into position; do not drag. We recommend that two people lift or alter the positioning of the furniture

### **Product testing Standards**

- Standard: GB 28007-2011 EN 747-1: 2012+ A1: 2015 AS/NZS 4220: 2010





# Warranty Against Defects - Australia

---

This Boori Kids product ("Product") (including mattress) carry a full three (3) years manufacturer's warranty ("Warranty Period") to the end-purchaser ("the Customer") as testimony to the quality and longevity of the product.

This warranty excludes general wear & tear and damage caused, by the Product not being used in accordance with its instructions or the care instructions. During this Warranty Period Boori Australia Pty Ltd (ABN 43 160 962 354) ("Boori") will replace or repair any defective part. In the event of a Product being replaced, as a whole unit or part thereof during the Warranty Period, the warranty on the replacement will expire three (3) years from the original purchase date.

This guarantee excludes accidental damage, misuse and or improper transporting and handling.

The warranty is void if the original Product has been altered in design or colour in anyway.

Subject to the Australian Consumer Law, this Warranty does not apply to any products sold as seconds, floor stock, repaired products, or products that have a defect where this has been drawn to the customer's attention before the purchase of the product. In addition, this Warranty will not apply if:

- (a) Repairs to a product are made or attempted by a service provider other than one approved by Boori.
- (b) The product has not been used or maintained in accordance with the manufacturer's instructions as provided with the product.
- (c) The customer uses the product in an abnormal manner for example if the product is abused, misused, dropped, crushed, impacted with any hard surface, exposed to extreme heat (including fire) or cold, not maintained properly or used after partial failure.
- (d) The product has been modified, incorrectly adjusted or operated, subjected to incorrect electrical supply or inconsistent electrical supply or used with inappropriate accessories.
- (e) The product is tampered with in any way

All warranty claims must be lodged:

1. at the place of original purchase as set out on your receipt for purchase of the Products or you may contact Boori on 02 9833 3769 to obtain further details; and
2. together with a proof of purchase.

Where the Customer makes a claim pursuant to this Warranty, all expenses incurred in sending the Products to Boori are the Customer's responsibility.

Boori's liability in respect of a breach of a consumer guarantee or any warranty made under this Warranty for any Products not of a kind ordinarily acquired for personal, domestic or household use is limited, in relation to the Products to the extent permissible by law and at it's option to:

1. replacing the Products or the supply of equivalent Products;
2. the repair of the Products;
3. the payment of the cost of replacing the Products or of acquiring equivalent goods; or
4. the payment of the cost of having the Products repaired.

To the extent permitted by law, all other warranties whether implied or otherwise, not set out in this Warranty are excluded and Boori is not liable in contract, tort (including, without limitation, negligence or breach of statutory duty) or otherwise to compensate the Customer for:

1. any increased costs or expenses;
2. any loss of profit, revenue, business, contracts or anticipated savings;
3. any loss or expense resulting from a claim by a third party; or
4. any special, indirect or consequential loss or damage of any nature whatsoever caused by the Customer's failure in complying with its obligations.

## Limitations on Warranty Disclaimers

In the following paragraph, 'Our' means 'Boori', 'You' means 'the Customer' and 'goods' means 'Products':

Our goods come with guarantees that cannot be excluded under the Australian Consumer Law. You are entitled to a replacement or refund for a major failure and for compensation for any other reasonably foreseeable loss or damage. You are also entitled to have the goods repaired or replaced if the goods fail to be of acceptable quality and the failure does not amount to a major failure.

The benefits given to the Customer in this Warranty are in addition to other rights and remedies under a law in relation to the Products to which this warranty applies.



## Warranty Against Defects - UK

---

All Boori products (including mattresses) carry a full three (3) years manufacturer's warranty as testimony to the quality and longevity of the range. This warranty excludes general wear & tear and damage caused, by the product not being used in accordance with its instructions or the care instructions.

During this guarantee period Boori will replace or repair any defective part. In the event of a product being replaced, as a whole unit or part thereof during the guarantee period, the guarantee on the replacement will expire three (3) years from the original purchase date.

This guarantee excludes accidental damage, misuse and or improper transporting and handling.

The warranty is void if the original product has been altered in design or colour in anyway.

**All warranty claims must be lodged at the place of original purchase and proof of purchase must be provided in order to lodge a warranty claim.**