

Boori Australia Pty Ltd
 18-20 Charles Street
 St. Marys Sydney NSW
 2760 Australia
 Tel: +61 2 9833 3769
 Fax: +61 2 9673 4240
 www.boori.com.au

Boori (Europe) Ltd
 Unit 1 Riverside House,
 Mill Lane, Newbury,
 Berkshire, RG 14 5QS UK
 Tel: +44 016 3529 5670
 Fax: +44 016 3587 7552
 www.boori.co.uk

Halim & Boori Company
 10F. Halim INT'L B/D, #1674-4,
 Seocho-Dong, Seocho-Gu,
 Seoul, Korea
 Tel: +82 2598 1470
 Fax: +82 2583 8885
 E-mail : ted@boori.co.kr
 Postal code: 137-725.

ブーリジャパン株式会社
 〒141-0031
 東京都品川区西五反田
 7-22-17 TOCビル5F
 TEL:03-6420-0024
 EMAIL:info@boori.co.jp
 HP:www.boori.jp

博瑞儿童用品(上海)有限公司
 上海市青浦区徐泾镇华徐公路577号
 VEG微格创意园A8-10室
 邮编: 201702
 电话: +86 21 5296 6600
 传真: +86 21 5296 6636
 网址: www.boori.com.cn

Milano Guarded King Single bed (BK-MIGKSB)


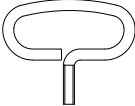
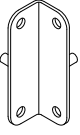
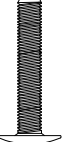
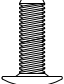
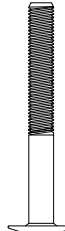
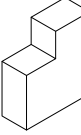

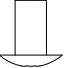
Dimensions

(External) : 2140*1190*788mm

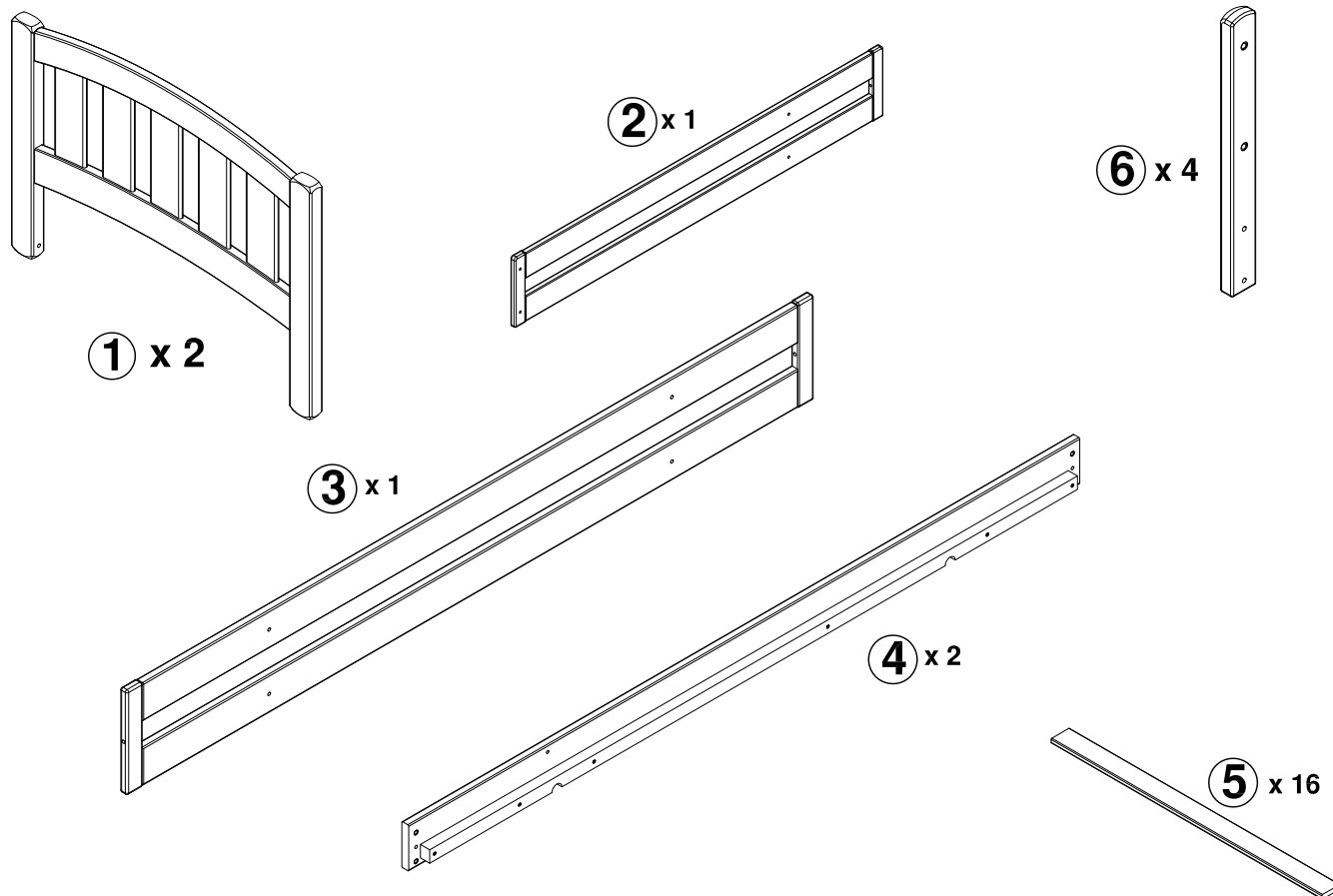
(Internal) : 2050*1090mm

Main Materials: Australian Araucaria

Hardware

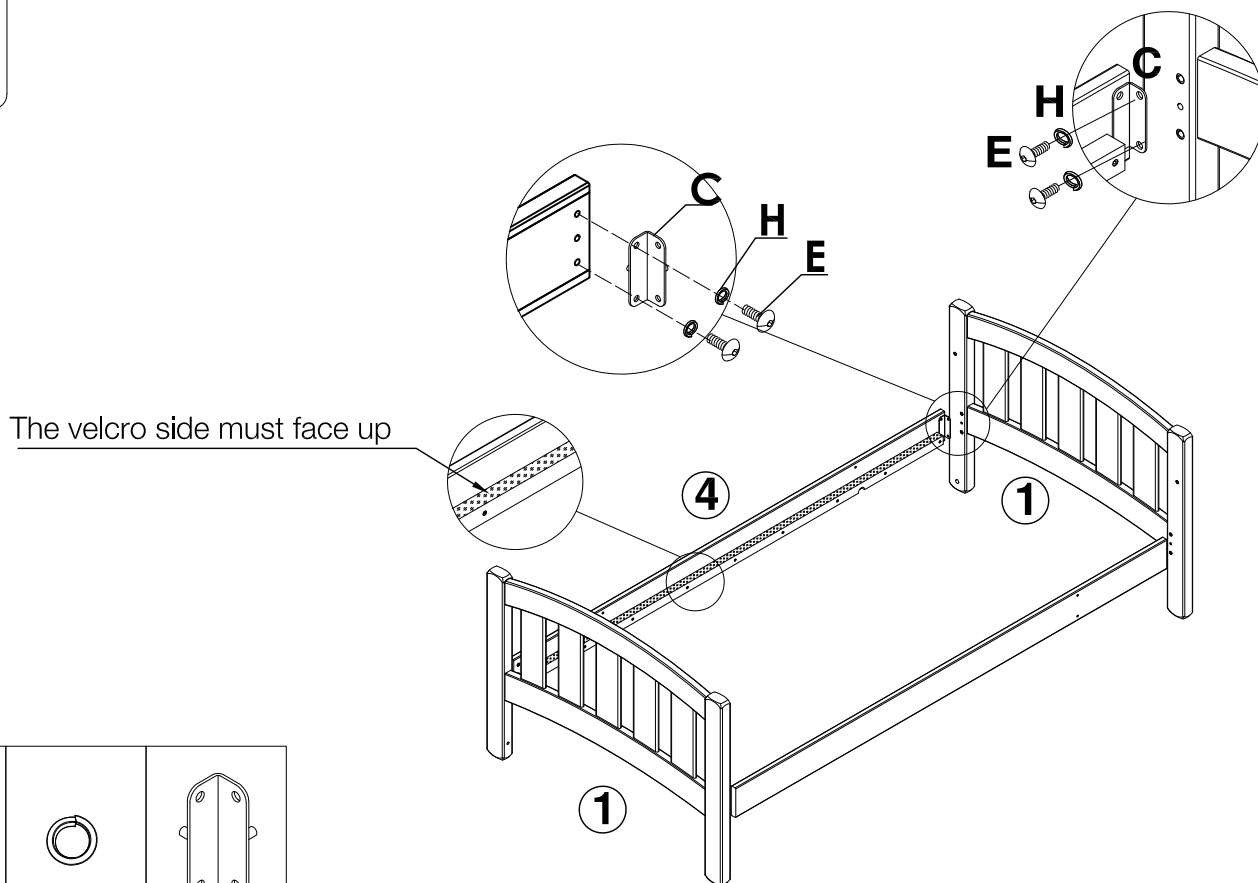
A x 1	B x 1	C x 4	D x 16	E x 17	F x 3	G x 2	H x 16	I x 8
			 M6x40	 M6x18	 M6x60			 M6x14

Parts List



Assembly

1



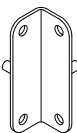
The velcro side must face up



E x16

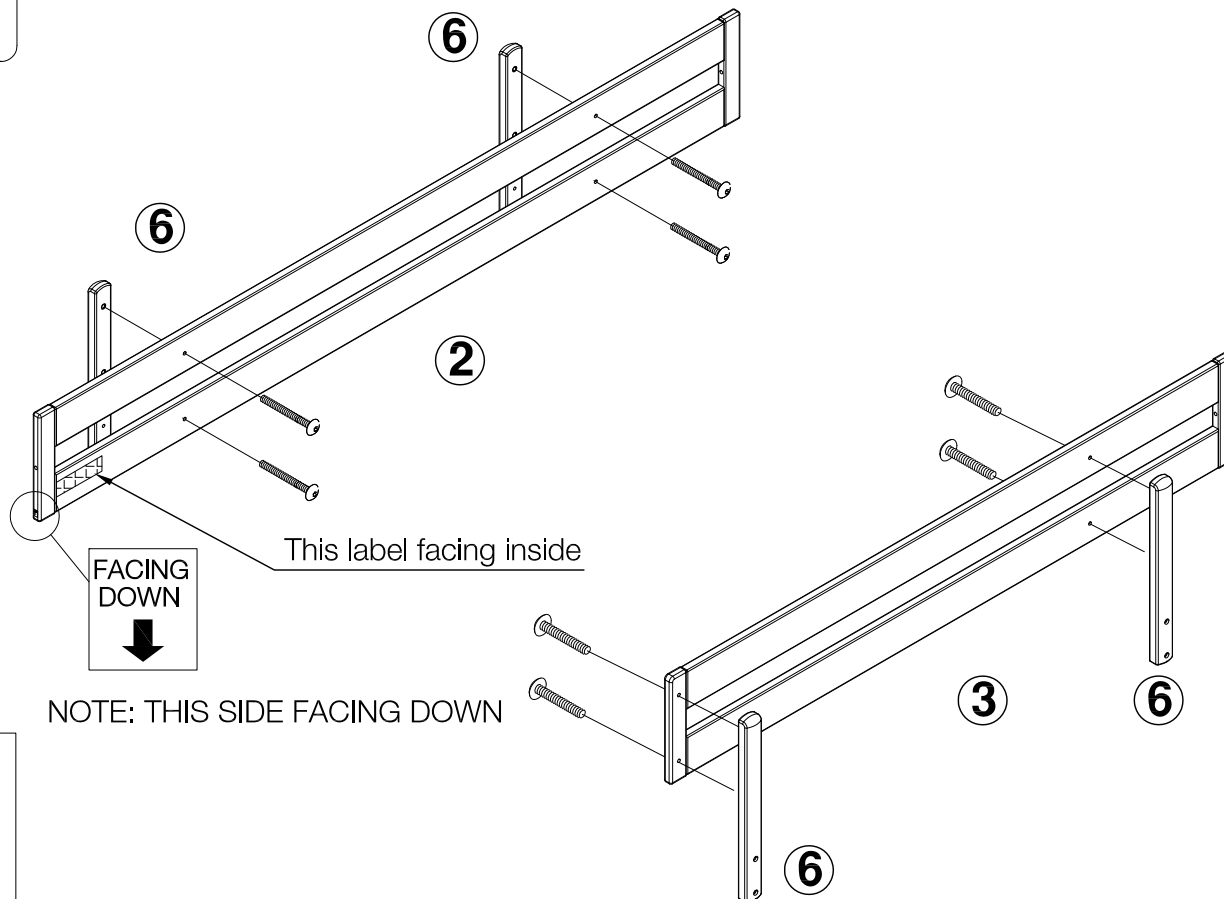


H x 16



C x4

2

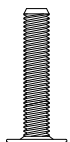


FACING
DOWN



This label facing inside

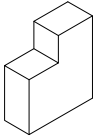
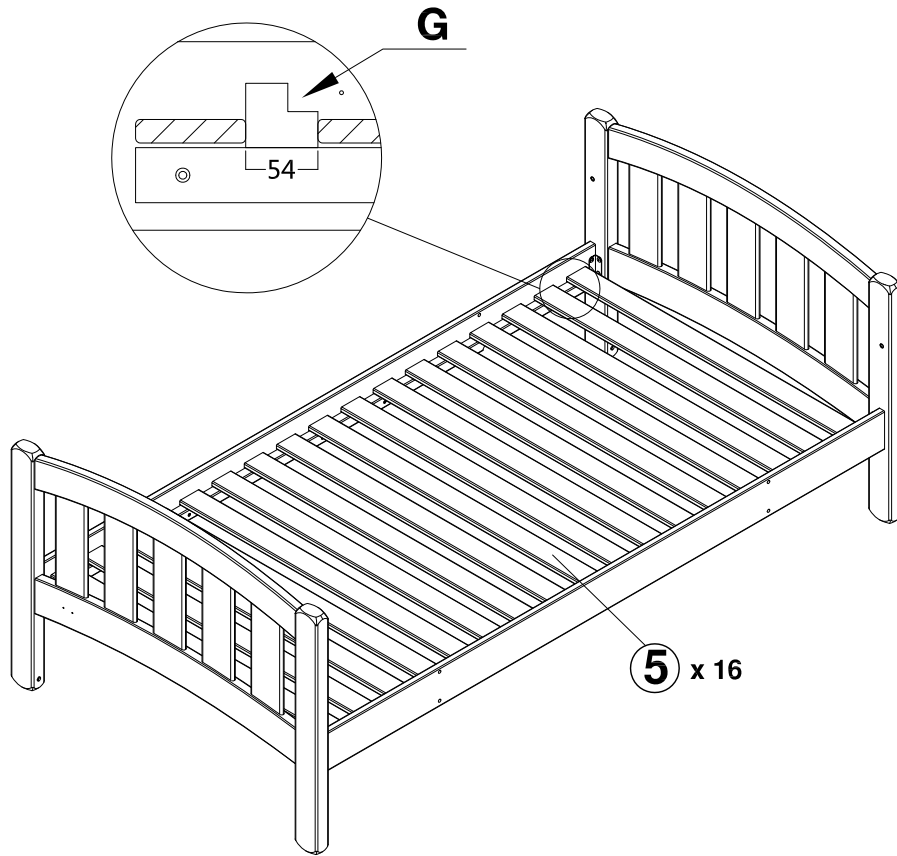
NOTE: THIS SIDE FACING DOWN



D x 8

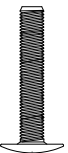
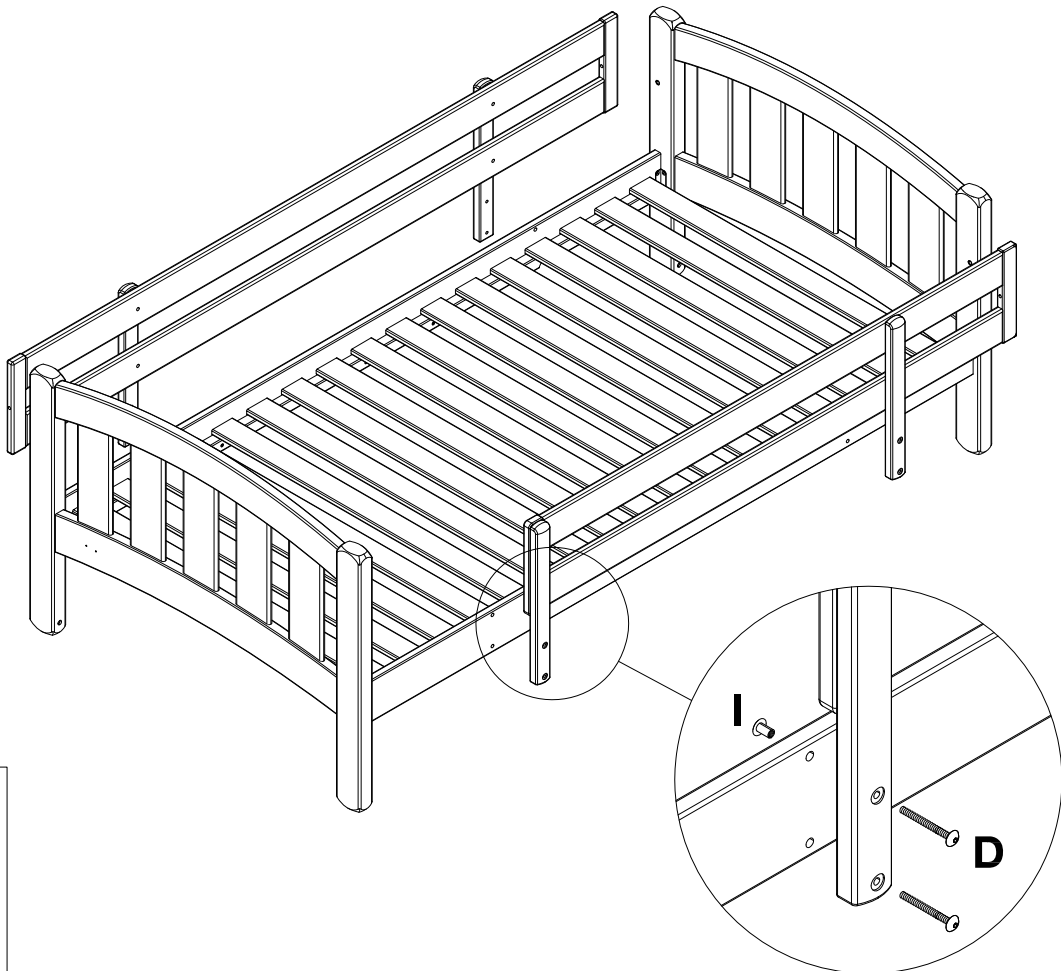
Assembly

3



G x 2

4



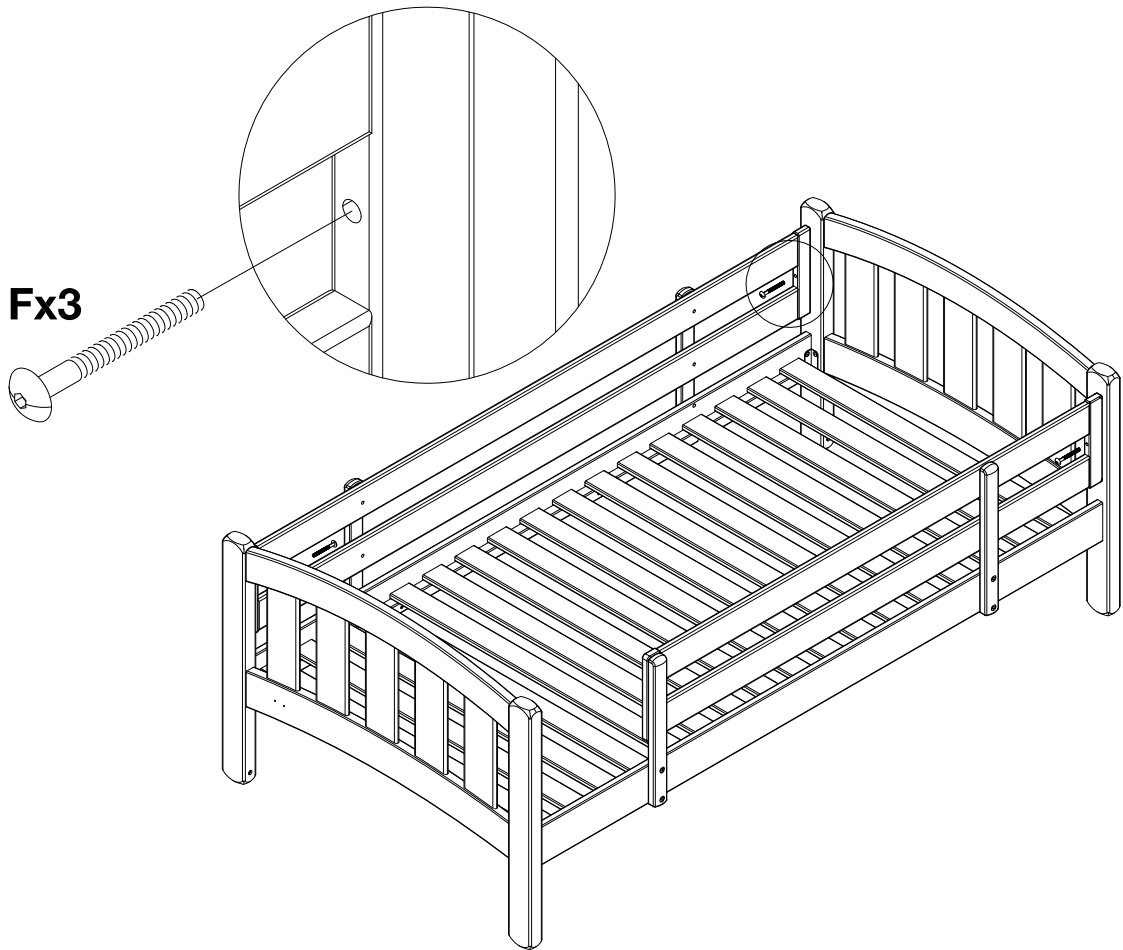
D x 8



I x 8

Assembly

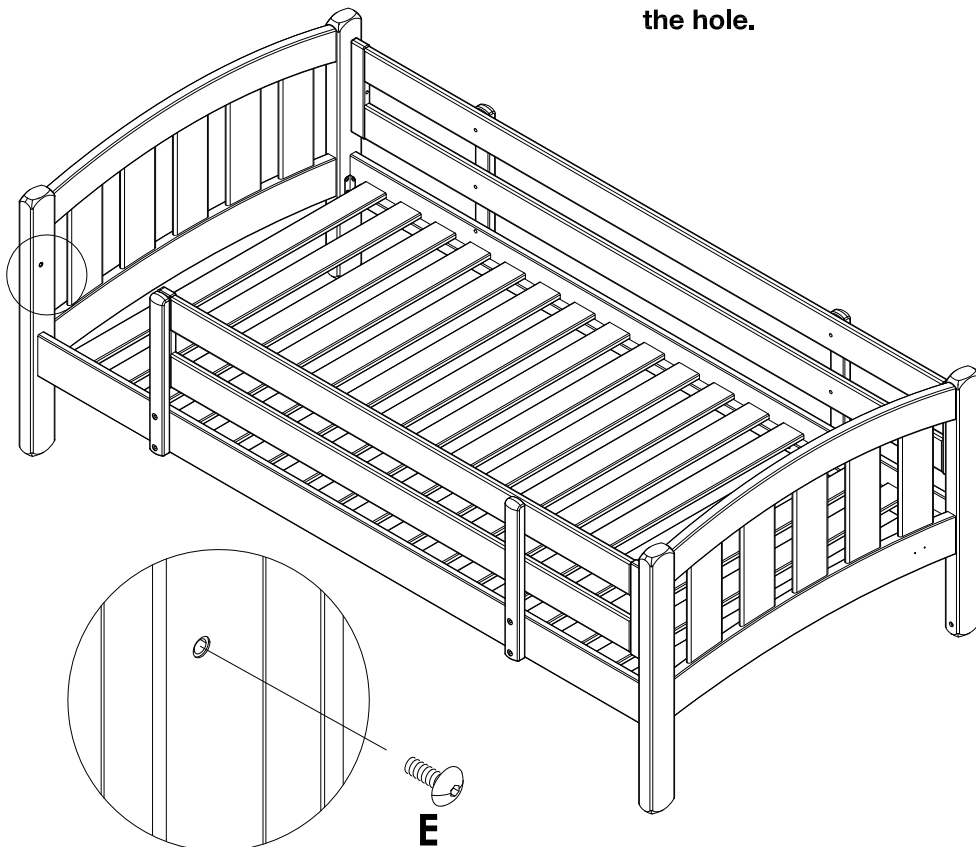
5



F x 3

6

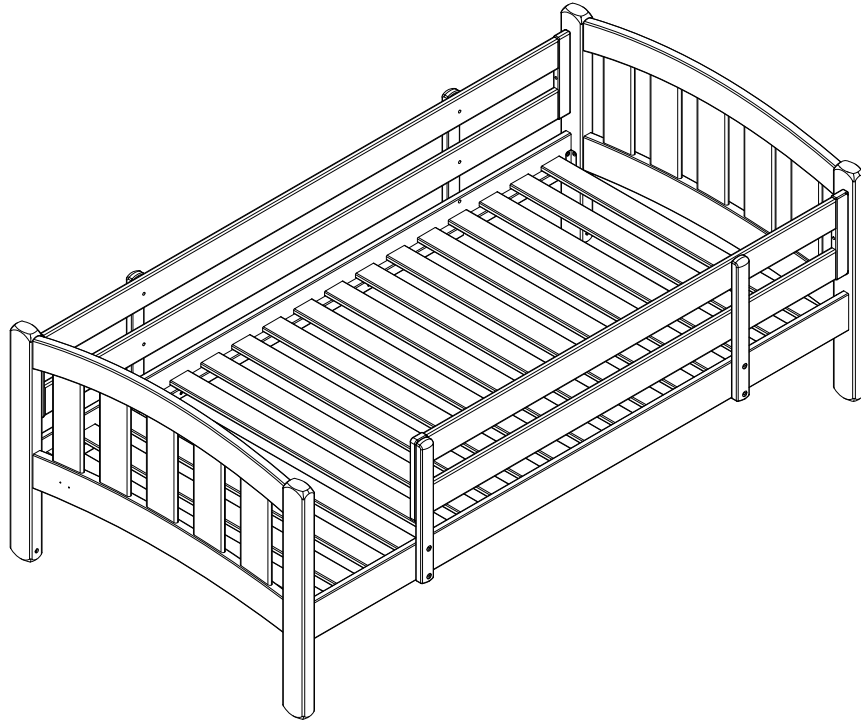
NOTE:
Please cover the remaining holes as shown to avoid harm if child insert their fingers into the hole.



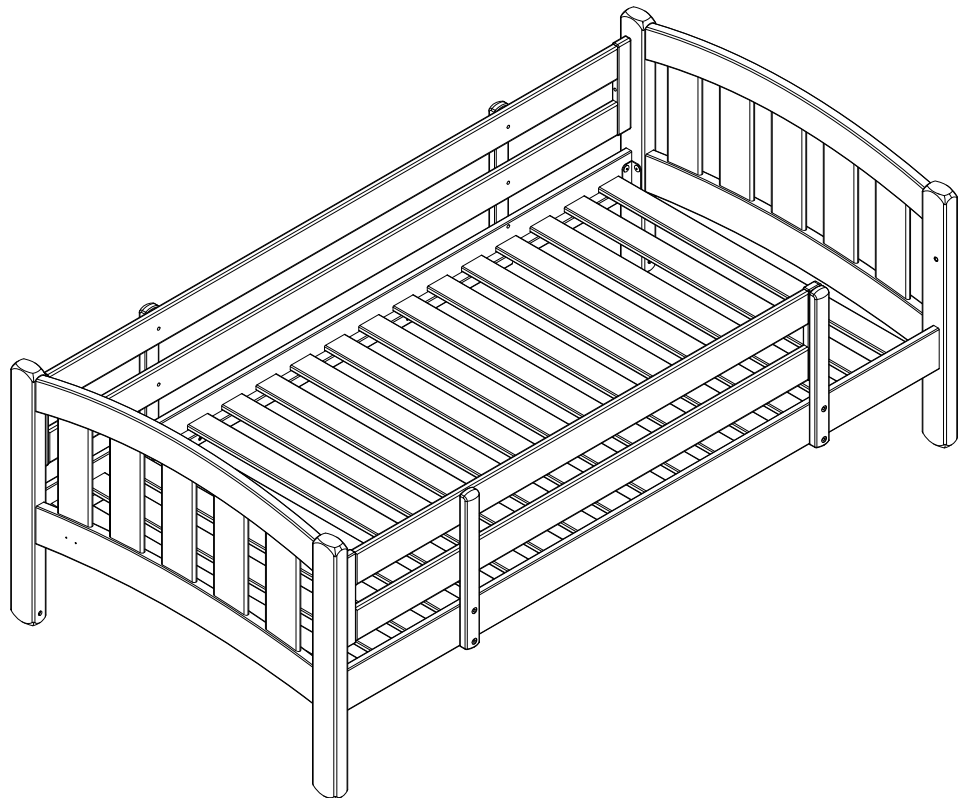
E x 1

Assembly

7



Or:



We hope you love your new Boori Kids furniture and it becomes an important part of your family home. In order to keep your furniture looking its best, please follow these care instructions.

Assembly

- When assembling your furniture, please follow the assembly instructions and use the tools supplied
- Boori products should only be assembled by an adult away from children
- Heavy components should be lifted by two people to prevent injury
- Every section that is assembled should be checked after assembly before moving onto the next stage

Product Positioning

- This product is made of timber and is therefore flammable
- Do not place your Boori furniture near open flames, fire places or extreme heat sources such as electric or gas heaters
- Do not direct sprayers or humidifiers at the furniture as they can cause damage
- Where possible avoid exposing furniture to extreme changes in temperature. Timber is a natural product and will want to expand and contract as the temperature varies. Extreme temperature variations can damage timber products.
- Avoid direct exposure to sunlight as this can cause our natural timber and plant oil colours to fade.
- Black rubber feet on items such as radios, computers and picture frames can cause marks. Always use a felt mat (not plastic) to protect your Boori furniture
- Do not place in damp environments or areas with high levels of moisture as this encourages mould growth.

Cleaning

- Clean your furniture by wiping with a soft, damp cloth
- If necessary, use a mild soapy solution and wipe clean with a soft cloth
- Do not use strong household cleaners
- Always wipe in the direction of the wood grain, not in circles.
- Wipe up spills immediately with a soft cloth
- Protect the furniture against bedwetting as this can lead to discolouration

Maintenance

- We advise that you regularly check the safety of your furniture
- Ensure all bolts and screws are tightened and check for loose connections, missing parts or sharp or pointed edges
- Avoid contact with sharp objects and hot liquids
- When moving furniture always lift and place it into position; do not drag. We recommend that two people lift or alter the positioning of the furniture

Product testing Standards

- Standard: GB 28007-2011 EN 747-1: 2012+ A1: 2015 AS/NZS 4220: 2010