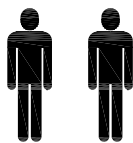




Boori Country Sleigh Forever Crib

Assembly Instructions



IMPORTANT:
THE ASSEMBLY OF THIS PRODUCT
REQUIRES TWO PEOPLE

IMPORTANT:
PLEASE READ THE INSTRUCTIONS CAREFULLY AND KEEP FOR FUTURE REFERENCE

Read all instructions BEFORE assembly and USE of the product. KEEP INSTRUCTIONS FOR FUTURE USE.

IMPORTANT, RETAIN FOR FUTURE REFERENCE PLEASE READ CAREFULLY

Boori International Pty Ltd
18-20 Charles Street
St. Marys Sydney NSW
2760 Australia
Ph: 61 2 9833 3769
Fax: 61 2 9673 4240

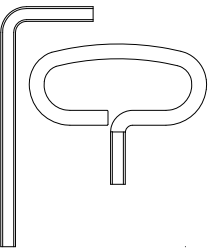
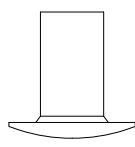
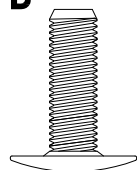
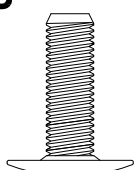
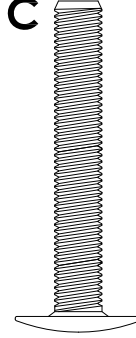
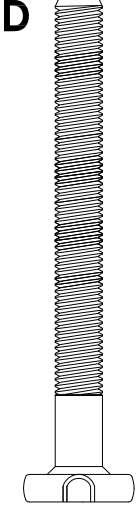
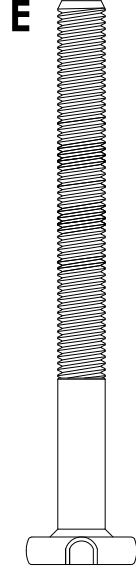
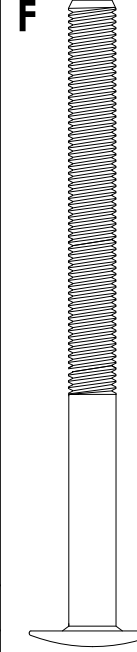
Boori (UK) Ltd
Unit 1, Transigo
Gables Way
Thatcham
RG19 4ZA
Ph: (44) 016 3529 5670
Fax: (44) 016 3587 7552

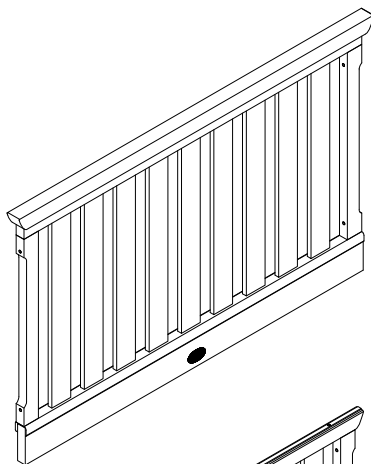
Boori USA LLC
20 Chapin Road, Suite 1001
Po Box 406
Pine Brook, NJ 07058
Ph: +1 973 577 6933
Fax: +1 973 577 6934

Boori Japan Co., Ltd
401A, 4-2-10 Kitakyuhoji-machi,
Chuo-ku, Osaka 541-0057 Japan
Ph: 06-4963-3939
Fax: 06-4963-3900
E-mail: info@boori.co.jp

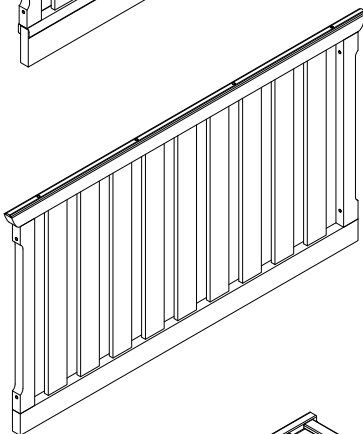
Instructions for Boori Country Sleigh Forever Crib (BCA-SLFE)

Hardware and Parts List

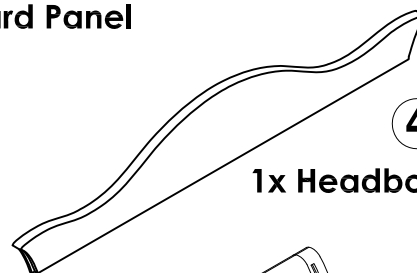
2 x Allen Keys	4 x M6*14mm Capping nuts	4 x M6*18mm Connecting nuts	4 x M6*18mm Connecting nuts	4 x M6*40mm Connecting bolts	4 x M6*60mm Connecting bolts	8 x M6*68mm Connecting bolts	4 x M6*80mm Connecting bolts
	A 	B 	B 	C 	D 	E 	F 
	Actual size	Actual size	⚠ For a full bed	Actual size	Actual size	Actual size	Actual size



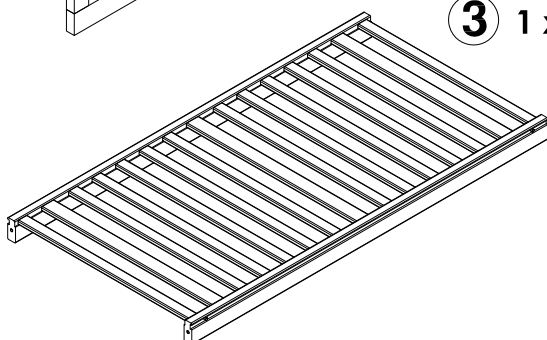
1 1 x Footboard Panel



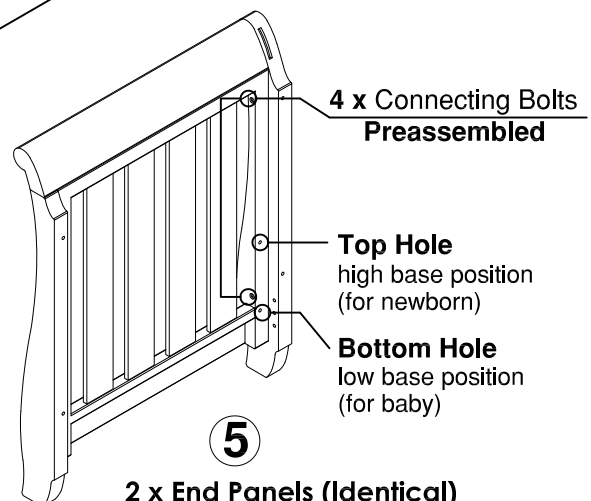
2 1 x Headboard Panel



4
1 x Headboard Panel Header

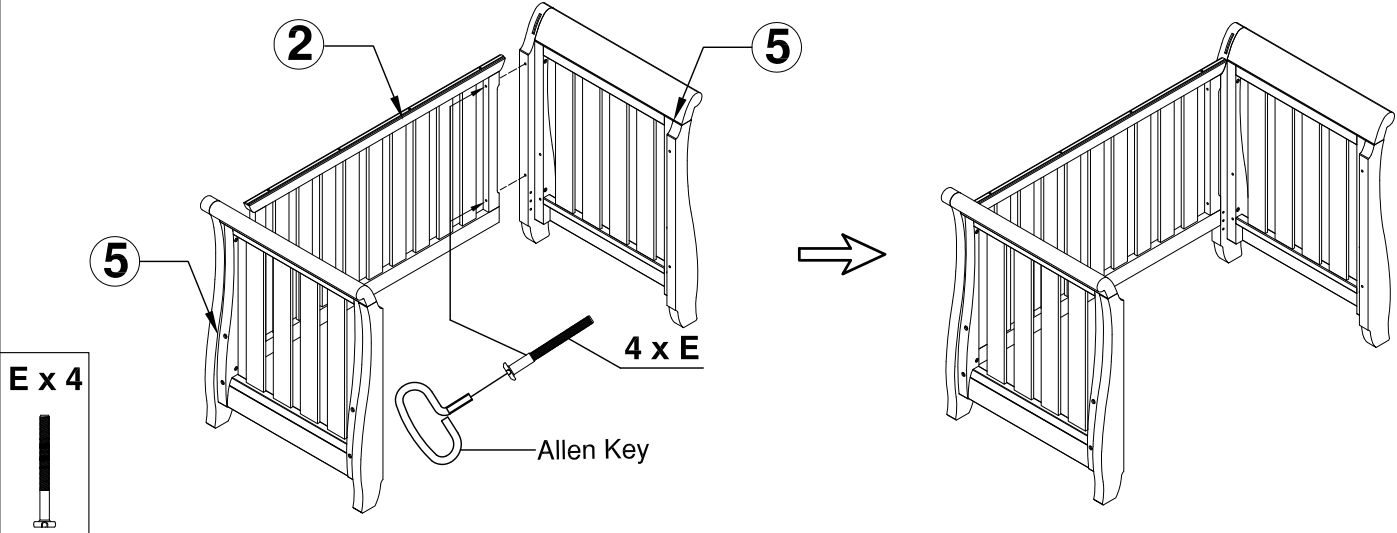


3 1 x Base



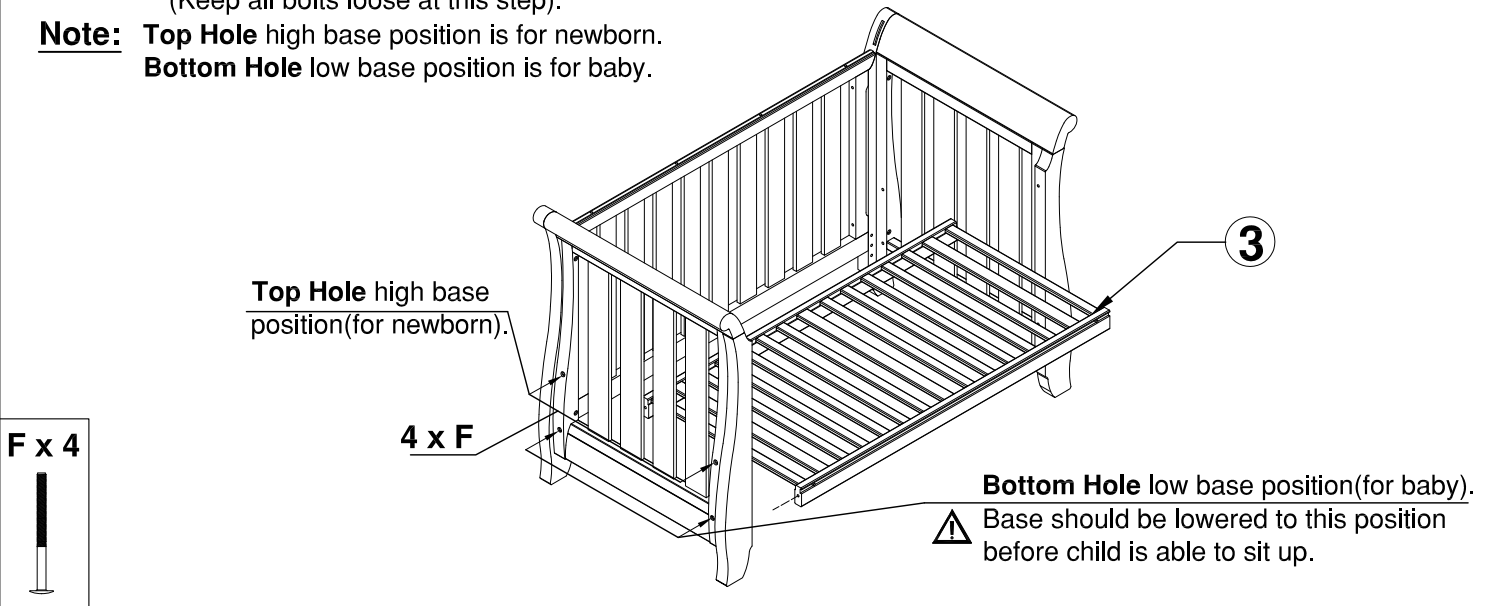
ASSEMBLY AS A CRIB

Step 1: Connect **Headboard Panel** (2) to the two **End Panels** (5) with the **4 x E** connecting bolts provided.
(Do not over tighten at this step).

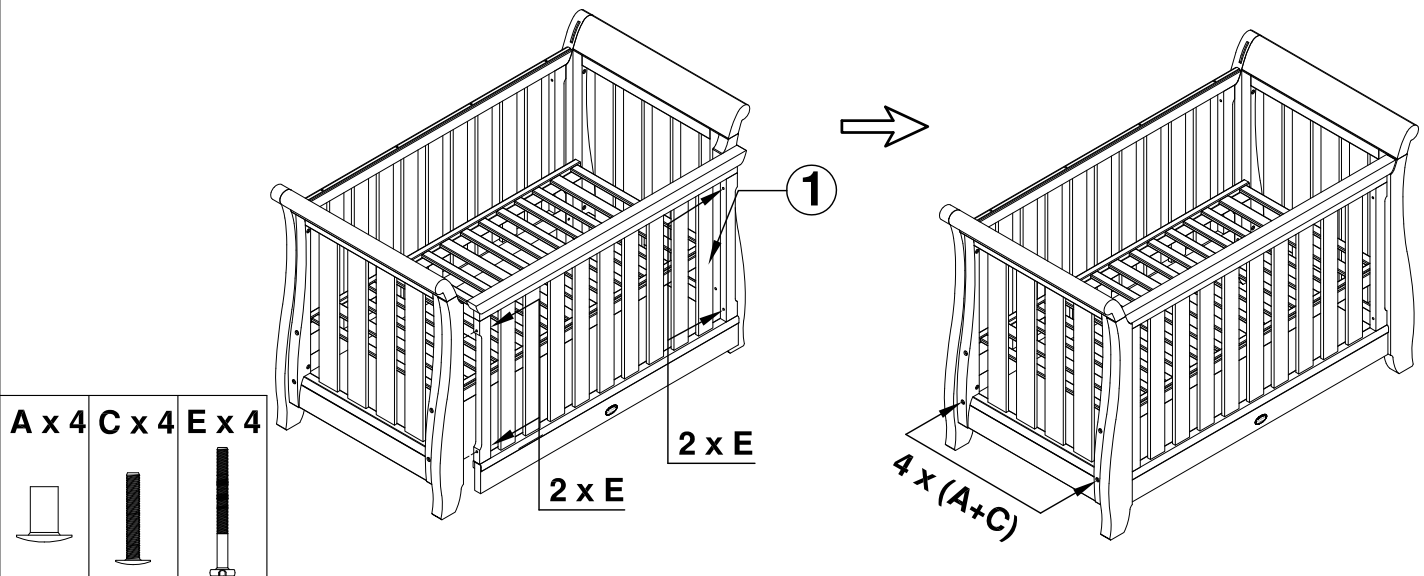


Step 2: Connect **Base** (3) to the two **End Panels** (4) with the **4 x F** connecting bolts provided.
(Keep all bolts loose at this step).

Note: **Top Hole** high base position is for newborn.
Bottom Hole low base position is for baby.

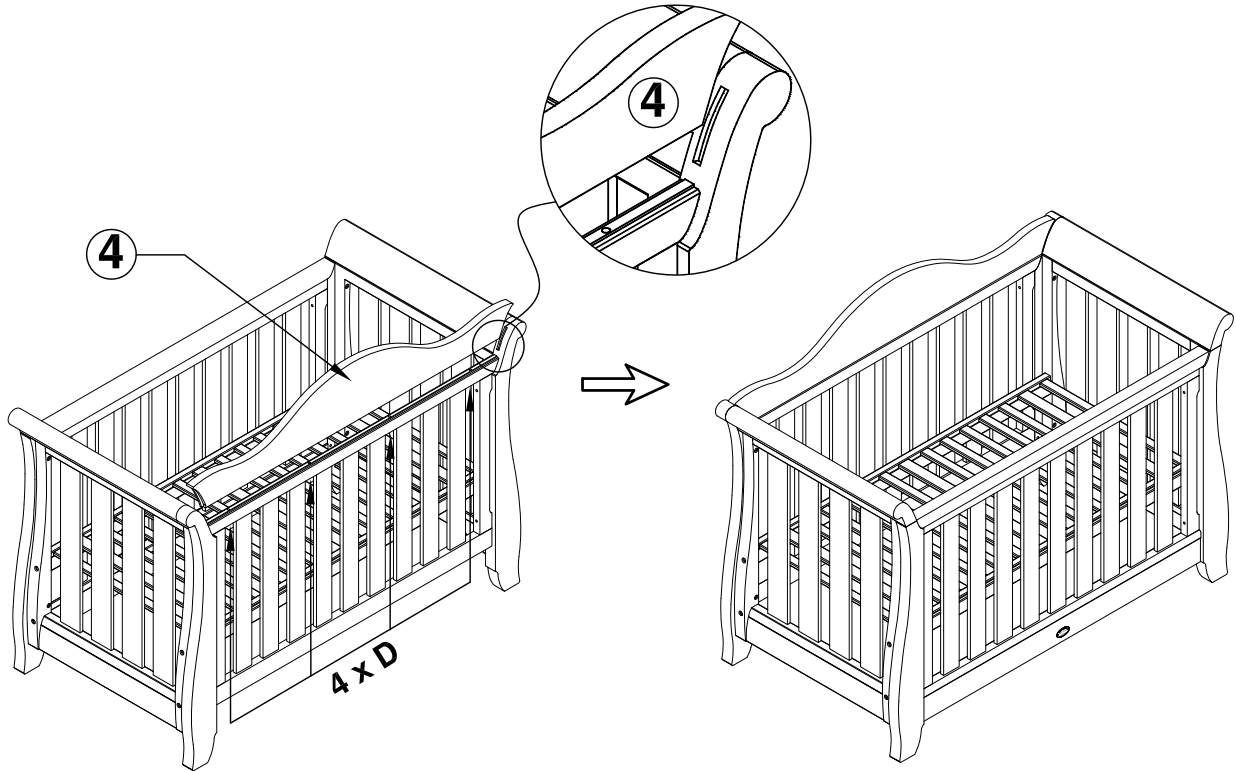


Step 3: Connect **Footboard Panel** (1) to the two **End Panels** (5) with the **4 x E** connecting bolts provided.
Tighten all the connecting bolts to secure but do not over tighten. Cover remaining holes on **End Panels** (5) with **4 x A** capping nuts and **4 x C** connecting bolts provided.



ASSEMBLY AS A CRIB (CONTINUED)

Step 4: Connect **Headboard Panel Header** (4) on to the **Headboard Panel** (2) and screw **4 x D** connecting bolts provided.

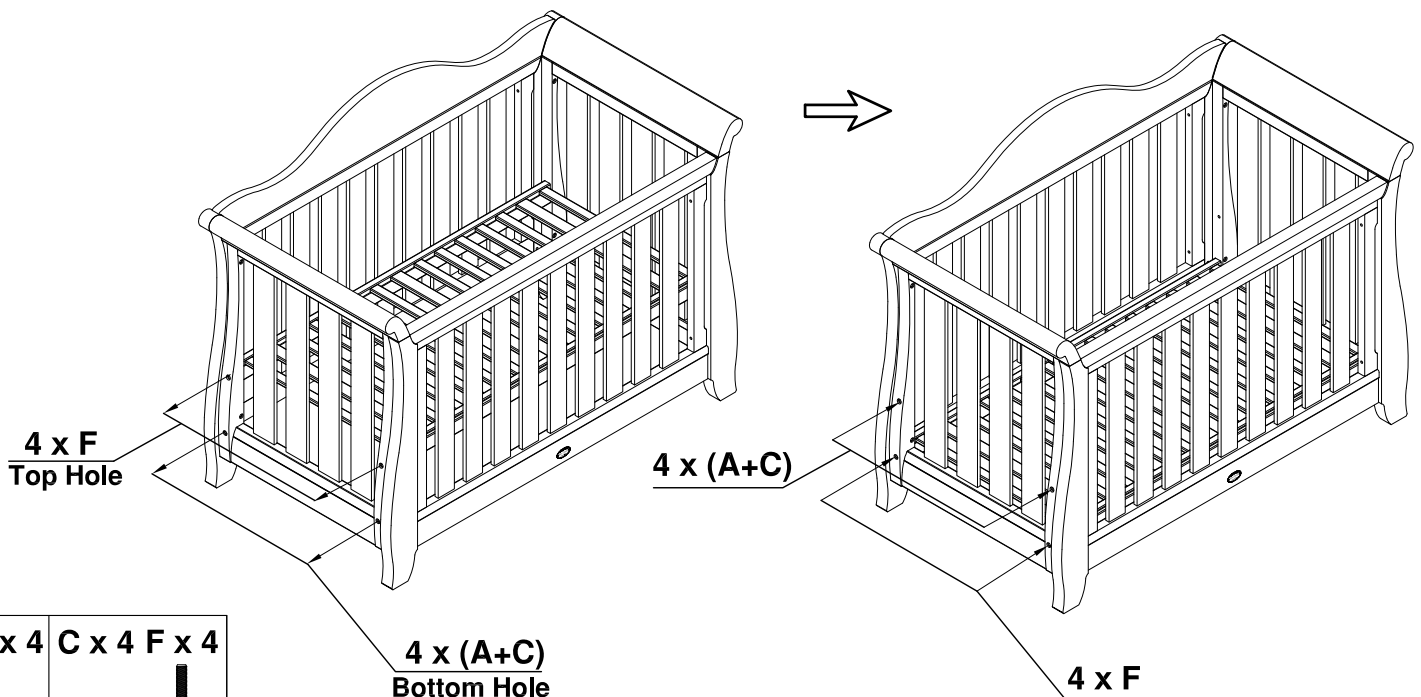


D x 4



Note: When child is able to sit up, adjust **Base** (3) to the **Bottom Hole** low base position (for baby).

1. Remove bumper pads, large toys and other objects that could serve as steps for climbing out.
2. Loosen **4 x E** connecting bolts on **Footboard Panel** (1), (see Step 3 for **E** connecting bolt location). Remove **4 x F** connecting bolts from **End Panels** (5).
3. Remove **4 x A** capping nuts and **4 x C** connecting bolts from **Bottom Holes** of **End Panels** (5) and use to **block Top Holes** of **End Panels** (5).
4. Connect **Base** (3) to **End Panels** (5) using **4 x F** connecting bolts to secure **Bottom Hole** lower base position.
5. Tighten all remaining bolts in the **Base** (3), **End Panels** (5) and **Footboard Panel** (1).



A x 4 C x 4 F x 4

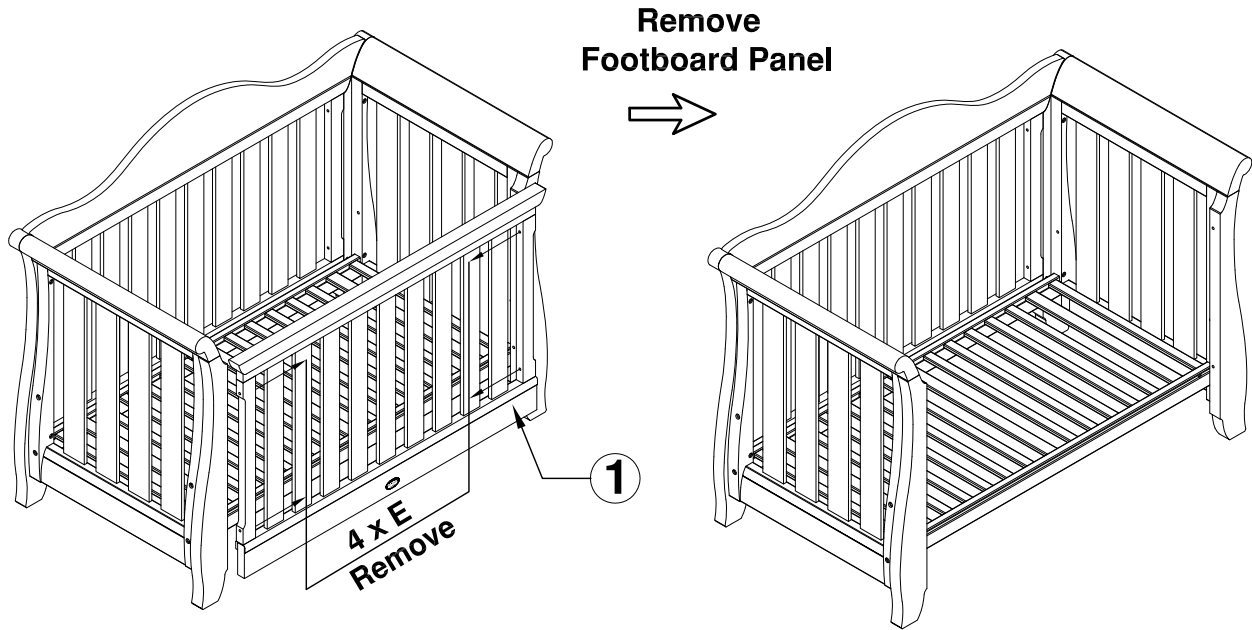


4 x (A+C)
Bottom Hole

4 x F

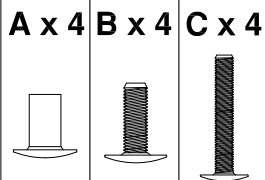
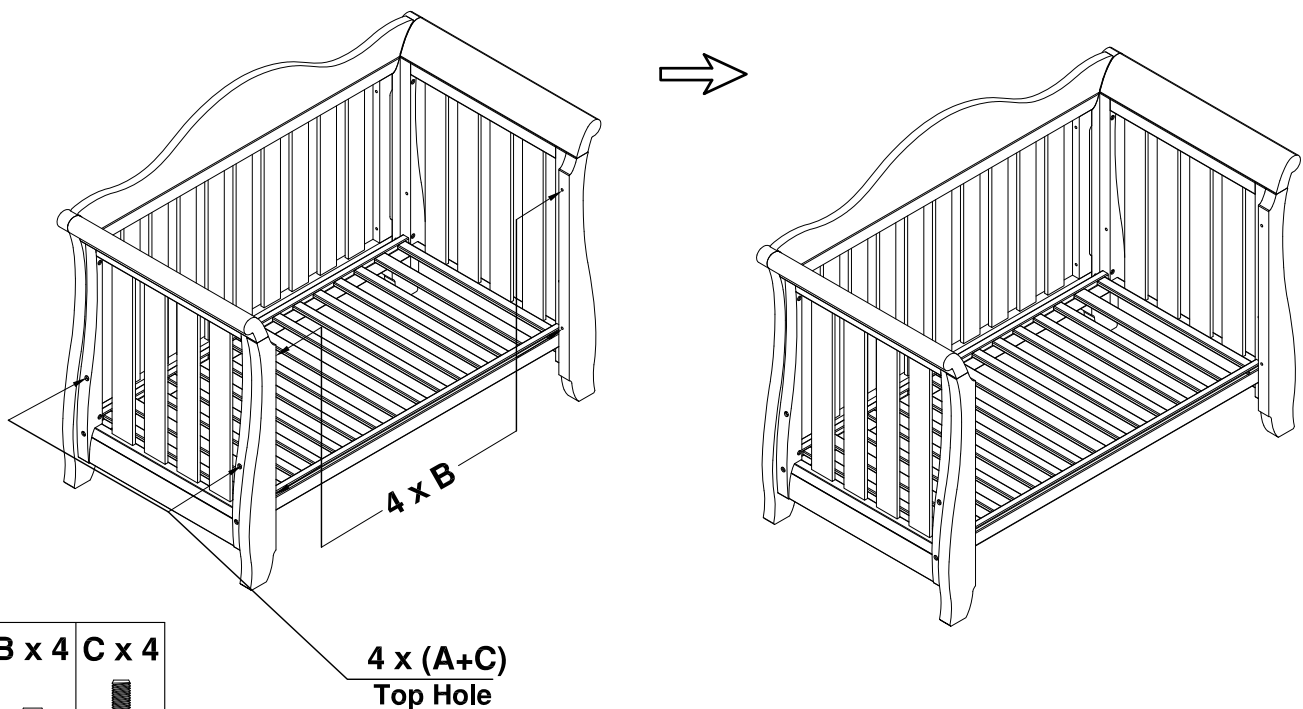
CONVERTING YOUR CRIB TO A DAYBED

Step 1: Reposition the **Base** ③ to the **Bottom Hole** lower base position of the **End Panels** ⑤.
Remove 4 x **E** connecting bolts from the **End Panels** ⑤ and remove the **Footboard panel** ①.



Step 2: As a result of removing the **Footboard Panel** ①, **block** remaining holes on the **End Panels** ⑤ with 4 x **B** connecting bolts provided.

Note: When **Base** ③ is on the **Bottom Hole** lower base position, 4 x (**A+C**) capping nuts and connecting bolts provided are used to **block** the **Top Holes**.
Tighten all the connecting bolts.



4 x (**A+C**)
Top Hole

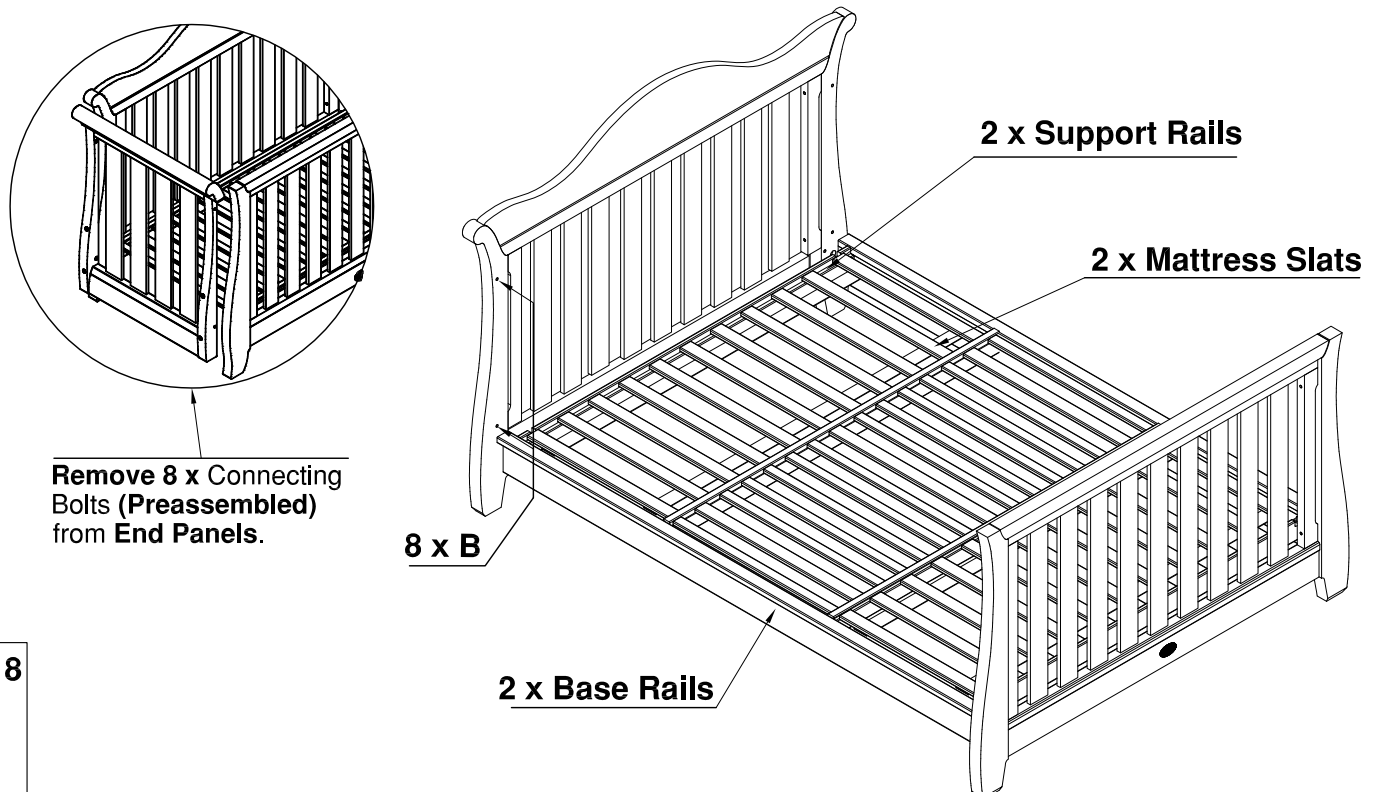
ACCESSORIES

Note: The Toddler Bed Conversion, item **TGR (Toddler Guard Rail)** is sold separately and available in all Boori finishes. Please contact your Boori dealer for more information.



Note: The Full Bed Conversion, item **FBK (Full Bed Conversion Kit)** is sold separately and available in all Boori finishes. Please contact your Boori dealer for more information.

Note: **Block** remaining holes on **Headboard Feet** and **Footboard Feet** with **8 x B** connecting bolts provided.



B x 8

