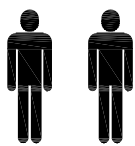
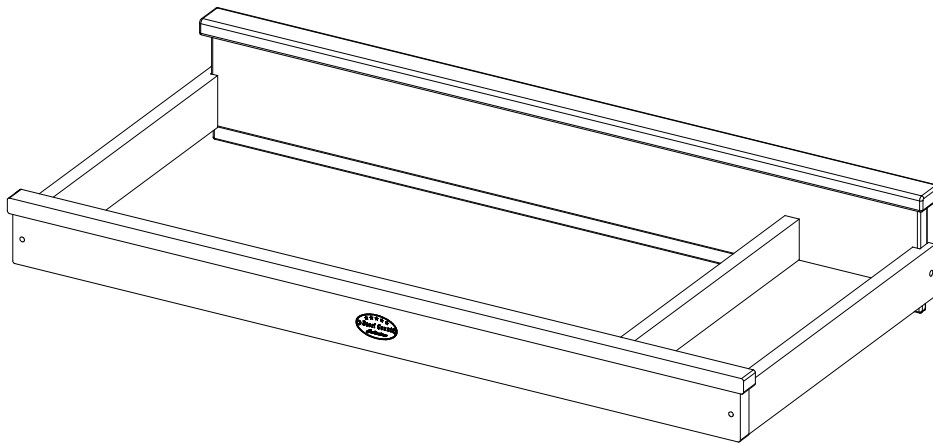




Boori Country Newport Changing Station

Assembly Instructions



IMPORTANT:
THE ASSEMBLY OF THIS PRODUCT
MAY REQUIRE TWO PEOPLE

IMPORTANT:
PLEASE READ THE INSTRUCTIONS CAREFULLY AND KEEP FOR FUTURE REFERENCE

Read all instructions BEFORE assembly and USE of the product. KEEP INSTRUCTIONS FOR FUTURE USE.

***IMPORTANT, RETAIN FOR FUTURE REFERENCE*
PLEASE READ CAREFULLY**

Boori International Pty Ltd
18-20 Charles Street
St. Marys Sydney NSW
2760 Australia
Ph: 61 2 9833 3769
Fax: 61 2 9673 4240

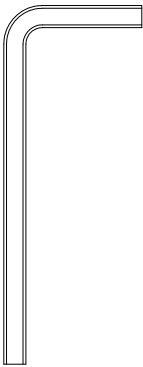

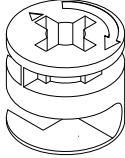

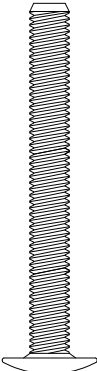
Boori (UK) Ltd
Unit 1, Transigo
Gables Way
Thatcham
RG19 4ZA
Ph: (44) 016 3529 5670
Fax: (44) 016 3587 7552

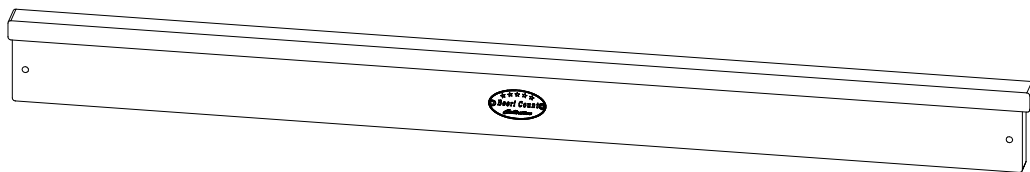
Boori USA LLC
20 Chapin Road, Suite 1001
Po Box 406
Pine Brook, NJ 07058
Ph: +1 973 577 6933
Fax: +1 973 577 6934

Boori Japan Co.,Ltd
401A, 4-2-10 Kitakyuhoji-machi,
Chuo-ku, Osaka 541-0057 Japan
Ph: 06-4963-3939
Fax: 06-4963-3900
E-mail: info@boori.co.jp

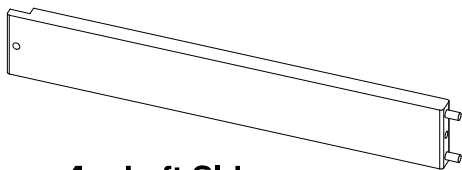
Instructions for Boori Country Newport Changing Station (BCA-NCS)

Hardware and Parts List

1 x Allen Key	2 x Connecting bolts	2 x Excenter fittings	4 x M5*25mm Connecting bolts	2 x M5*44mm Connecting bolts
<p>A</p> 	<p>B</p> 	<p>C</p> 	<p>D</p>  <p>Actual size</p>	<p>E</p>  <p>Actual size</p>

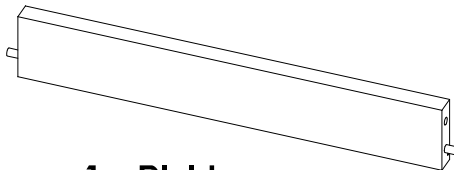


① 1 x Front



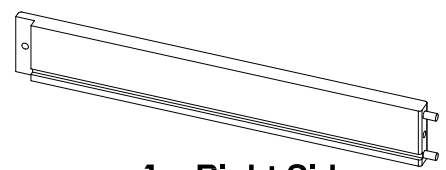
1 x Left Side

②



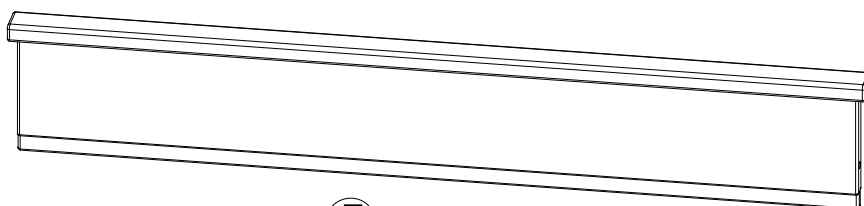
1 x Divider

③



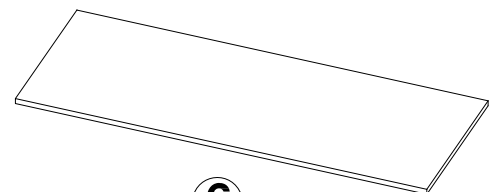
1 x Right Side

④



1 x Back

⑤



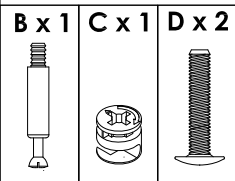
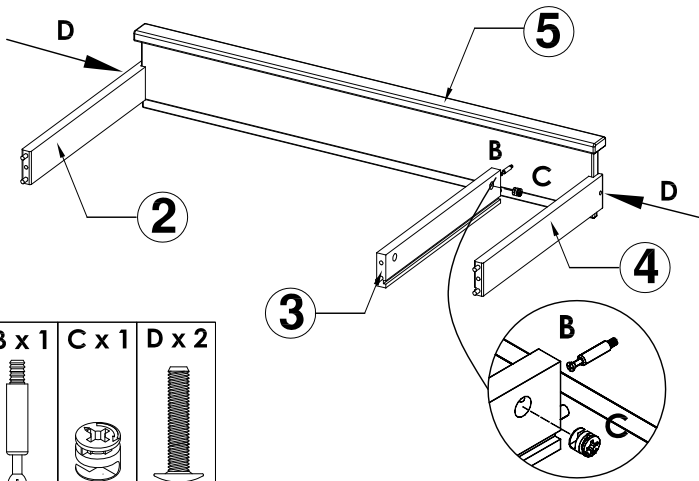
1 x Base

⑥

ASSEMBLY INSTRUCTIONS

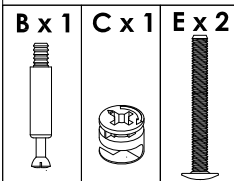
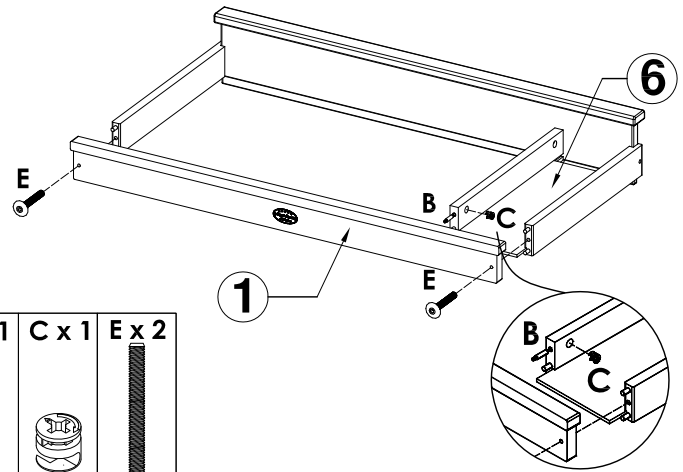
Step 1:

- 1) Attach the **Left Side** ② and the **Right Side** ④ to the **Back** ⑤ using **2 x D** connecting bolts.
- 2) Attach the **Divider** ③ to the **Back** ⑤ with **1 x B** connecting bolt and **1 x C** excenter fitting.



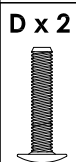
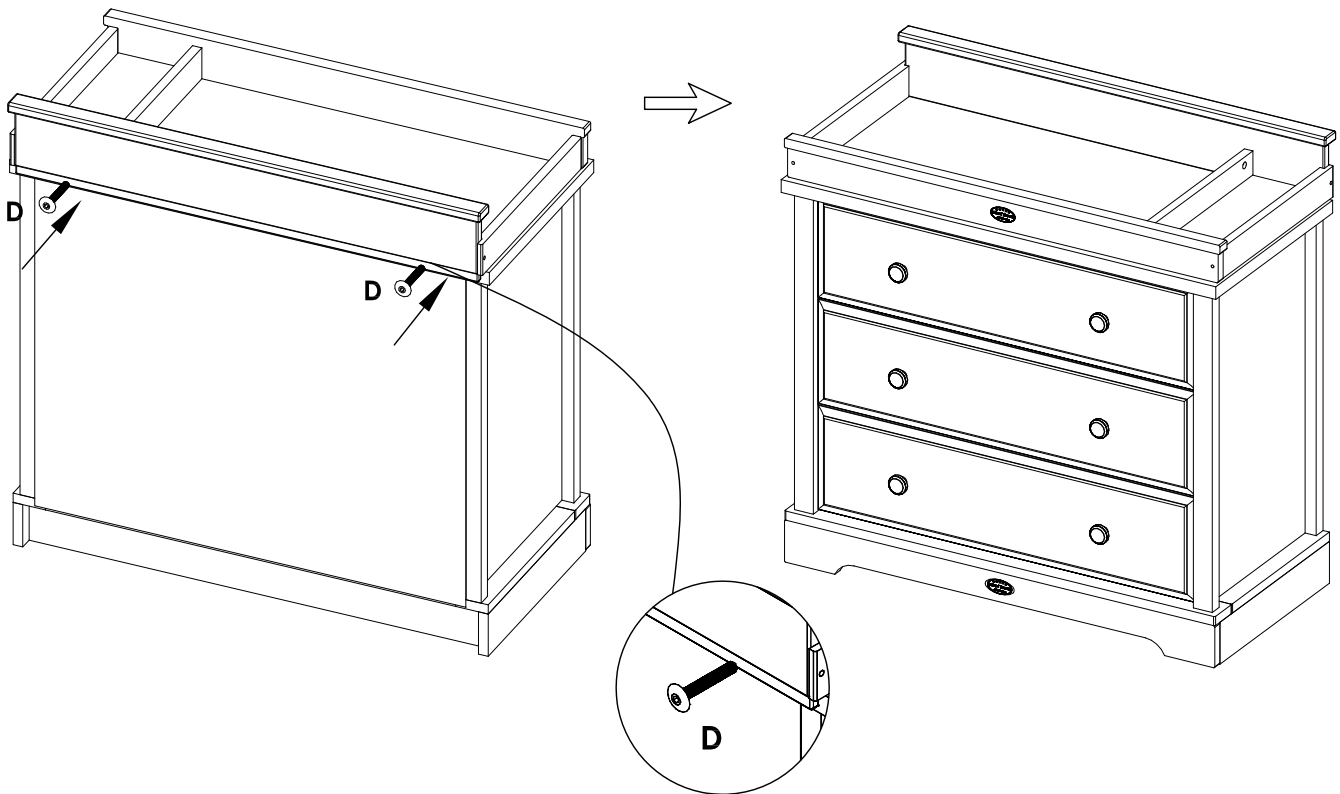
Step 2:

- 1) Slide the **Base** ⑥ into the grooves on the **Right Side** ④ and the **Divider** ③.
- 2) Attach the **Front** ① with **2 x E** connecting bolts and **1 x B** connecting bolt and **1 x C** excenter fitting.



Step 3:

Attach the **Back** ⑤ to the back of drawer chest with **2 x D** connecting bolts.



Maintenance of your Boori Furniture

- * TO ENSURE THE SAFETY OF YOUR CRIB BED OR CHANGING STATION, REGULARLY CHECK ALL THE CONNECTING BOLTS AND GLIDE PINS MAKING SURE THEY ARE TIGHT; CARE SHOULD BE TAKEN THAT NO SCREWS ARE LOOSE
- * GLIDE PINS AND BOLTS SHOULD BE TIGHTENED EVERY FOUR TO SIX MONTHS TO ENSURE CRIB/FURNITURE REMAINS STABLE
- * TO CLEAN YOUR CRIB OR FURNITURE USE A SOFT CLOTH DAMPENED WITH WATER
- * DO NOT USE STRONG HOUSEHOLD CLEANERS
- * AVOID CONTACT WITH SHARP OBJECTS
- * WHEN MOVING YOUR CRIB BED OR FURNITURE DO NOT DRAG, ALWAYS LIFT AND PLACE IN POSITION