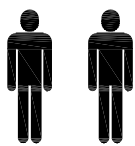
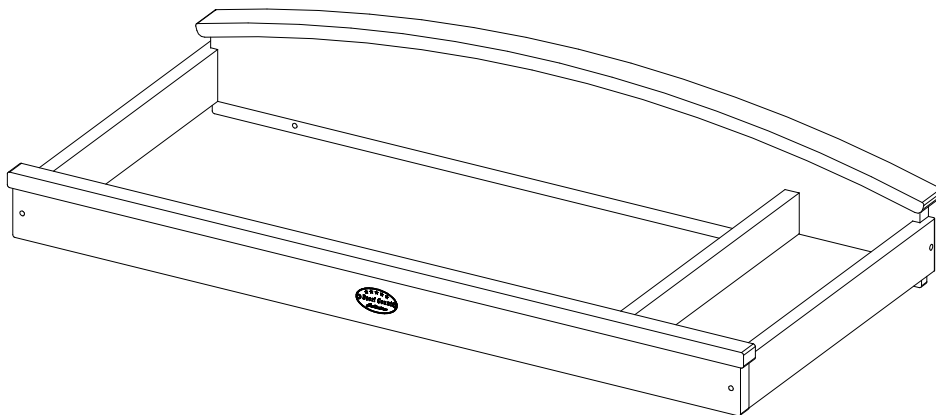




# Boori Country Madison Changing Station

## Assembly Instructions



**IMPORTANT:**  
THE ASSEMBLY OF THIS PRODUCT  
MAY REQUIRE TWO PEOPLE

**IMPORTANT:**  
PLEASE READ THE INSTRUCTIONS CAREFULLY AND KEEP FOR FUTURE REFERENCE



Read all instructions BEFORE assembly and USE of the product. KEEP INSTRUCTIONS FOR FUTURE USE.

# \*IMPORTANT, RETAIN FOR FUTURE REFERENCE\* PLEASE READ CAREFULLY

Boori Australia Pty Ltd  
18-20 Charles Street  
St. Marys Sydney NSW  
2760 Australia  
Ph: 61 2 9833 3769  
Fax: 61 2 9673 4240

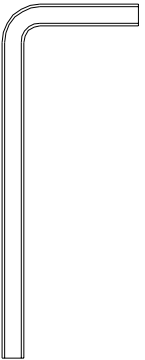

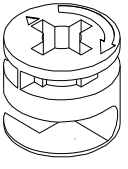
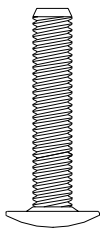
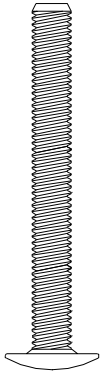
Boori (UK) Ltd  
Unit 1, Transigo  
Gables Way  
Thatcham  
RG19 4ZA  
Ph: (44) 016 3529 5670  
Fax: (44) 016 3587 7552

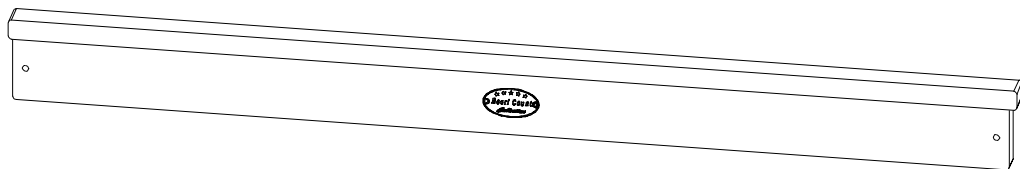
Boori USA LLC  
20 Chapin Road, Suite 1001  
PO Box 406  
Pine Brook, NJ 07058  
Ph: +1 973 577 6933  
Fax: +1 973 577 6934

ブーリジャパン(株)  
〒541-0057  
大阪府大阪市中央区北久宝寺町  
4-2-10  
Ph : 06-4963-3939  
Fax : 06-4963-3900  
E-mail : info@boori.co.jp

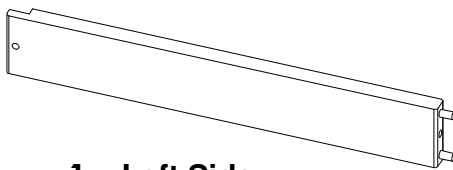
## Instructions for Boori Country Madison Changing Station(BCA-MCS)

### Hardware and Parts List

1 x Allen Key	2 x Connecting bolts	2 x Excenter fittings	4 x M5*25mm Connecting bolts	2 x M5*44mm Connecting bolts
<b>A</b> 	<b>B</b> 	<b>C</b> 	<b>D</b> 	<b>E</b> 
			Actual size	Actual size

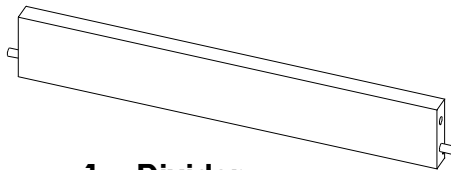


① 1 x Front



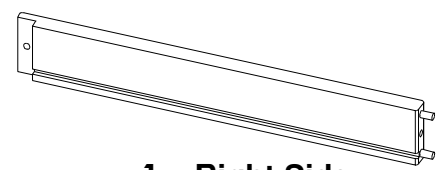
1 x Left Side

②



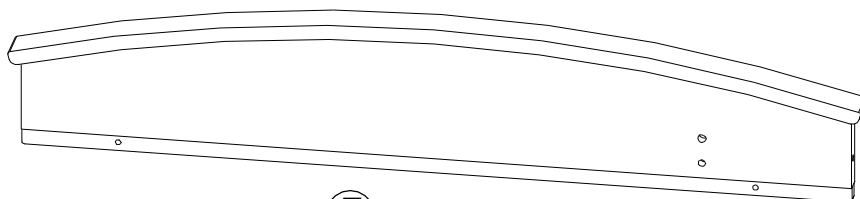
1 x Divider

③

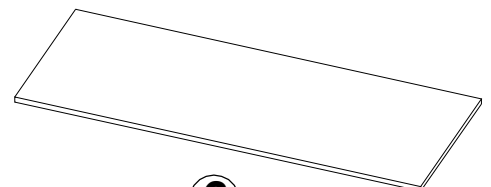


1 x Right Side

④



⑤  
1 x Back

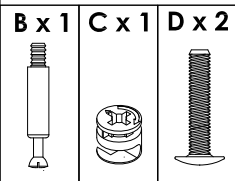
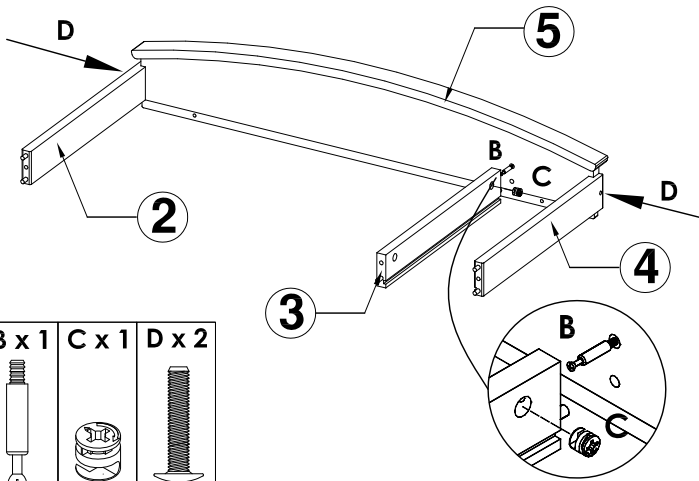


⑥  
1 x Base

# ASSEMBLY INSTRUCTIONS

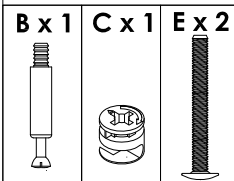
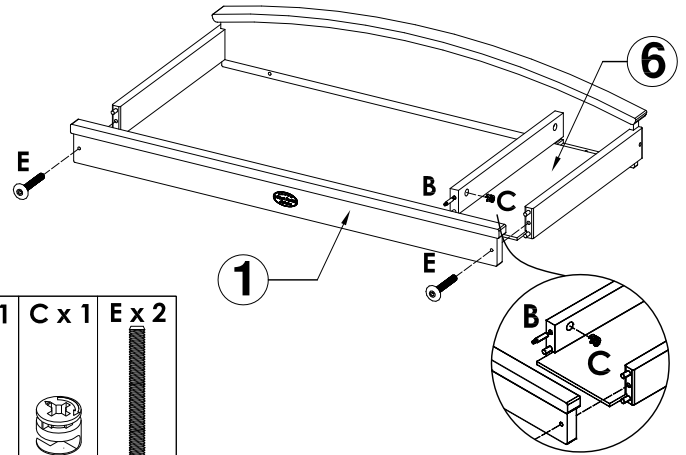
## Step 1:

- 1) Attach the **Left Side** ② and the **Right Side** ④ to the **Back** ⑤ using **2 x D** connecting bolts.
- 2) Attach the **Divider** ③ to the **Back** ⑤ with **1 x B** connecting bolt and **1 x C** excenter fitting.



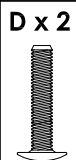
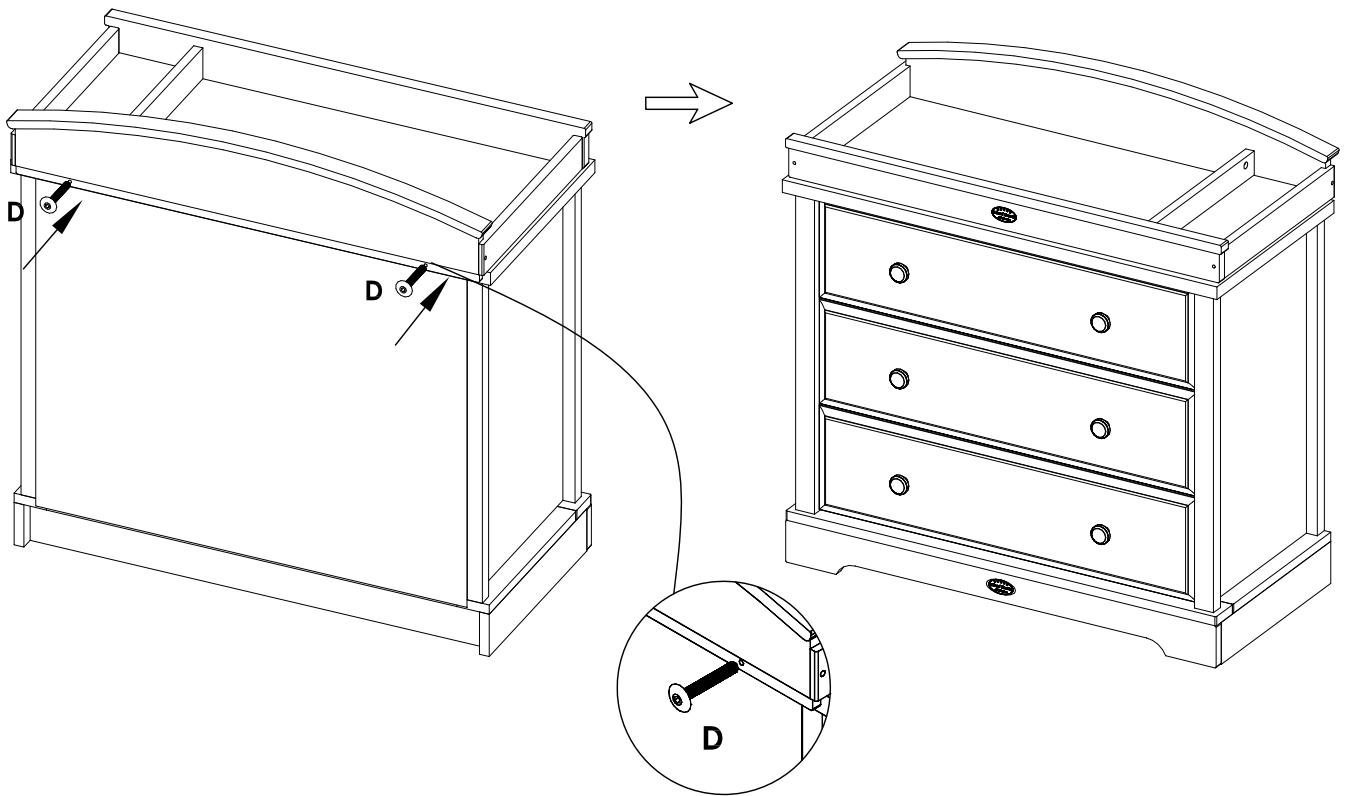
## Step 2:

- 1) Slide the **Base** ⑥ into the grooves on the **Right Side** ④ and the **Divider** ③.
- 2) Attach the **Front** ① with **2 x E** connecting bolts and **1 x B** connecting bolt and **1 x C** excenter fitting.



## Step 3:

Attach the **Back** ⑤ to the back of drawer chest with **2 x D** connecting bolts.



## Maintenance of your Boori Furniture

- \* TO ENSURE THE SAFETY OF YOUR CRIB BED OR CHANGING STATION, REGULARLY CHECK ALL THE CONNECTING BOLTS AND GLIDE PINS MAKING SURE THEY ARE TIGHT; CARE SHOULD BE TAKEN THAT NO SCREWS ARE LOOSE
- \* GLIDE PINS AND BOLTS SHOULD BE TIGHTENED EVERY FOUR TO SIX MONTHS TO ENSURE CRIB/FURNITURE REMAINS STABLE
- \* TO CLEAN YOUR CRIB OR FURNITURE USE A SOFT CLOTH DAMPENED WITH WATER
- \* DO NOT USE STRONG HOUSEHOLD CLEANERS
- \* AVOID CONTACT WITH SHARP OBJECTS
- \* WHEN MOVING YOUR CRIB BED OR FURNITURE DO NOT DRAG, ALWAYS LIFT AND PLACE IN POSITION