

Read all instructions BEFORE assembly and USE of product. KEEP INSTRUCTIONS FOR FUTURE USE

IMPORTANT, RETAIN FOR FUTURE REFERENCE
PLEASE READ CAREFULLY



Boori International

AUSTRALIA
 18-20 Charles Street
 St. Marys Sydney NSW
 2760 Australia

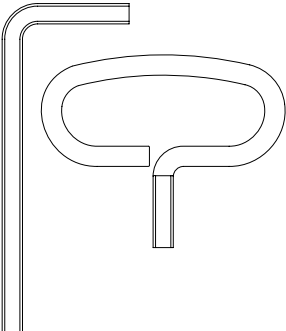
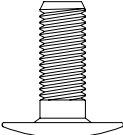
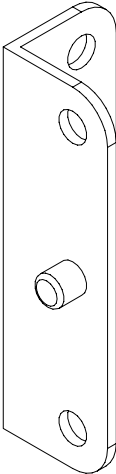
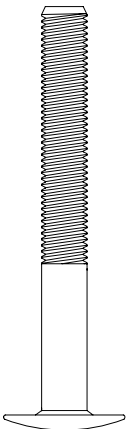
Ph: 61 2 9833 3769 Fax: 61 2 9673 4240

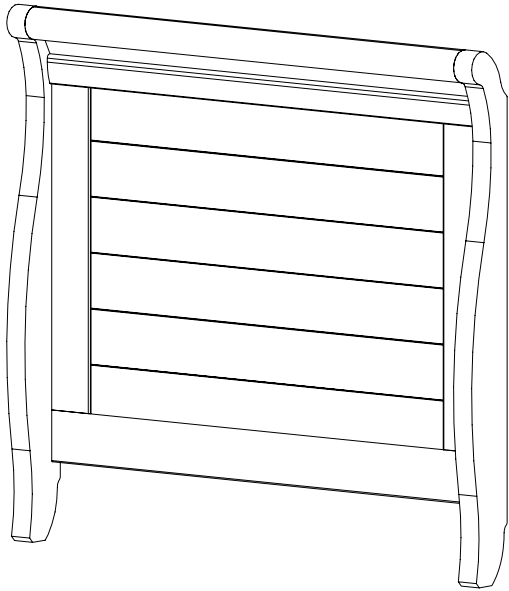
Boori (UK) Ltd
 Unit 8, Transigo,
 Gables Way, Kennet Park,
 Thatcham, Berkshire,
 RG19 4ZA

Ph: (44) 016 3529 5670 Fax: (44) 016 3587 7552

Boori Country Sleigh King Single Bed

Single Bed hardware and parts list

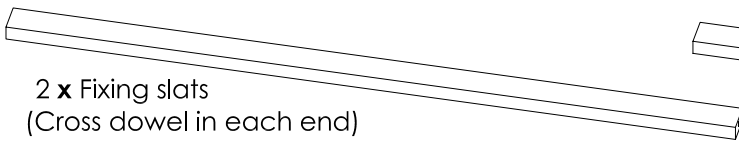
2 x Allen Keys	16 x 18mm Connecting bolts	4 x Base rail supports	4 x 54mm Connecting bolts
	<p>A</p> 	<p>B</p> 	<p>C</p>  <p>Actual size</p>



1 x Single bed Head panel



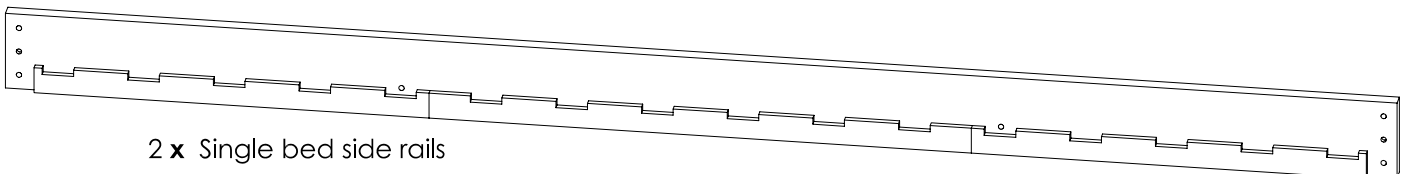
1 x Single bed Foot panel



2 x Fixing slats
 (Cross dowel in each end)



14 x Mattress Slats



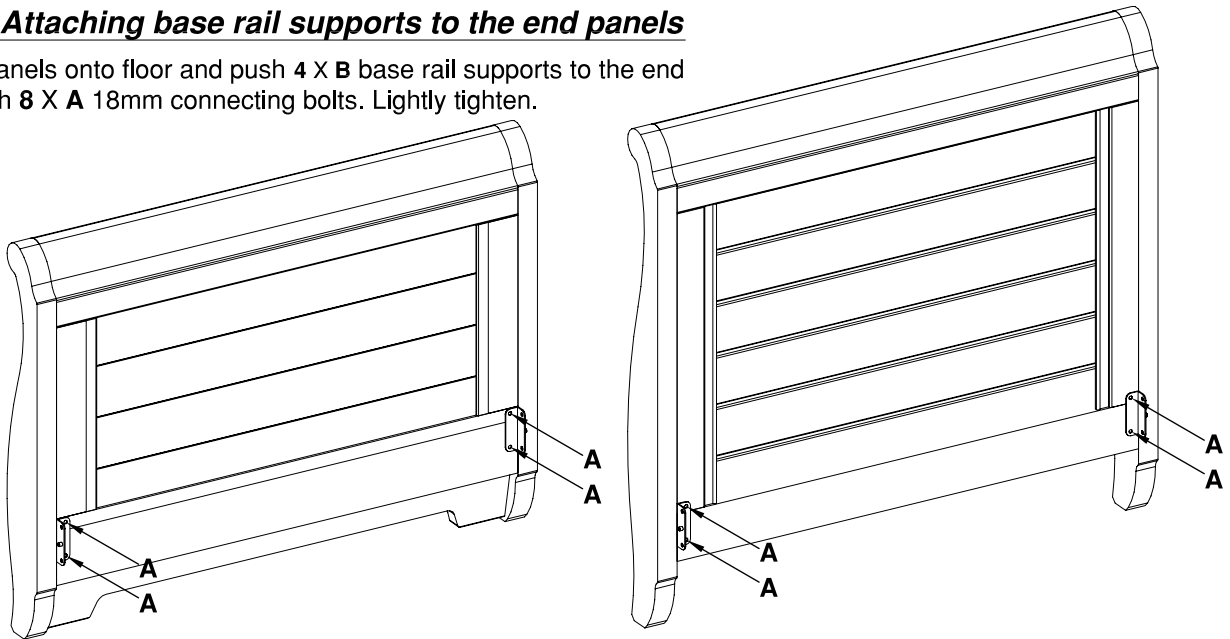
2 x Single bed side rails



Single Bed assembly instructions

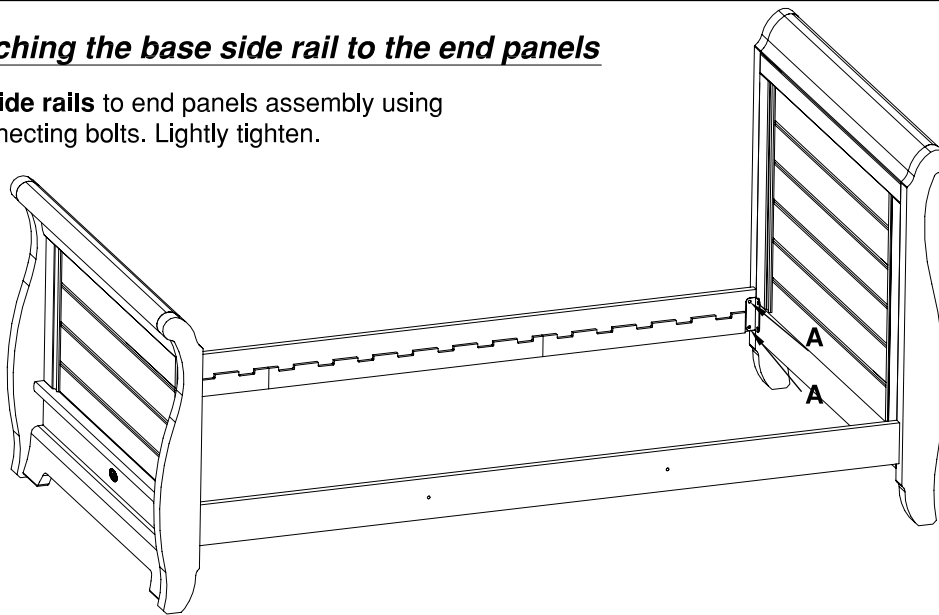
Stage 1: Attaching base rail supports to the end panels

Lay end panels onto floor and push 4 X B base rail supports to the end panels with 8 X A 18mm connecting bolts. Lightly tighten.



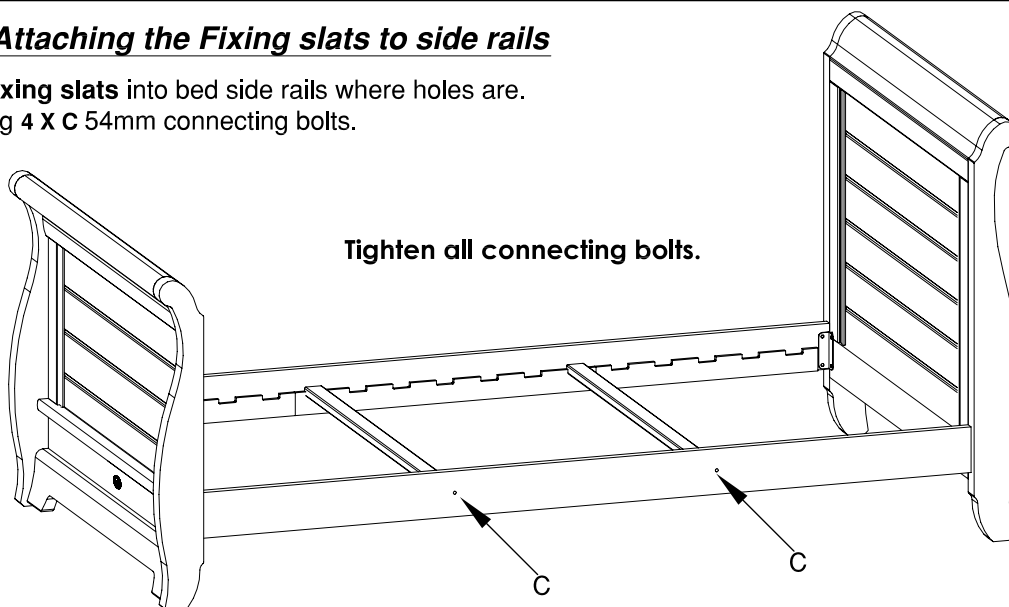
Stage 2: Attaching the base side rail to the end panels

Push 2 X Base side rails to end panels assembly using 8 X A 18mm connecting bolts. Lightly tighten.



Stage 3: Attaching the Fixing slats to side rails

Push 2 X fixing slats into bed side rails where holes are. Screw using 4 X C 54mm connecting bolts.

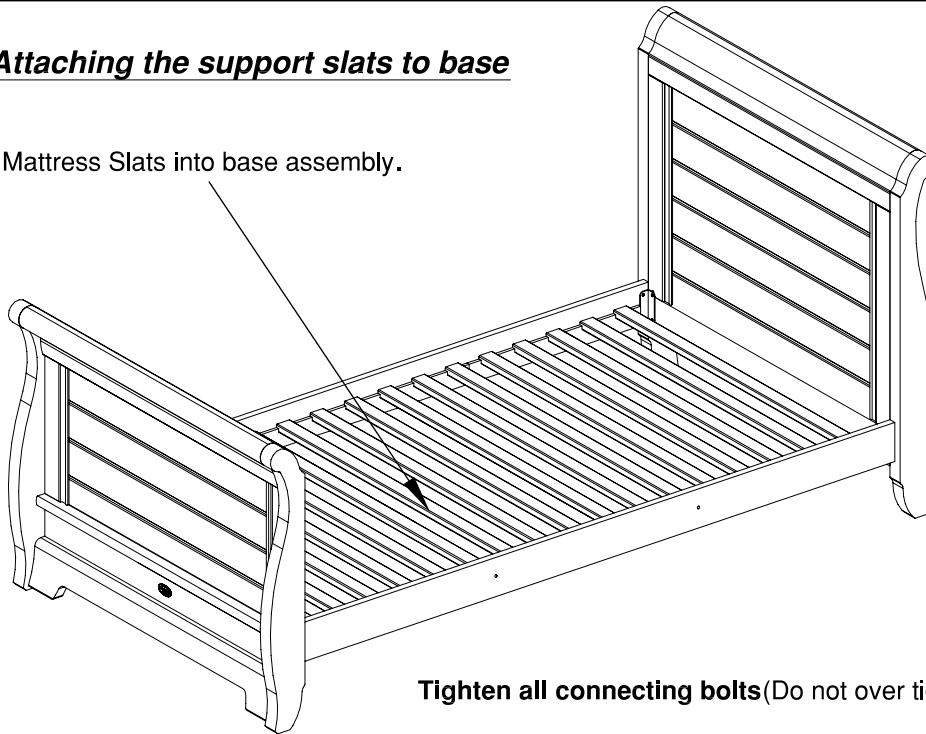




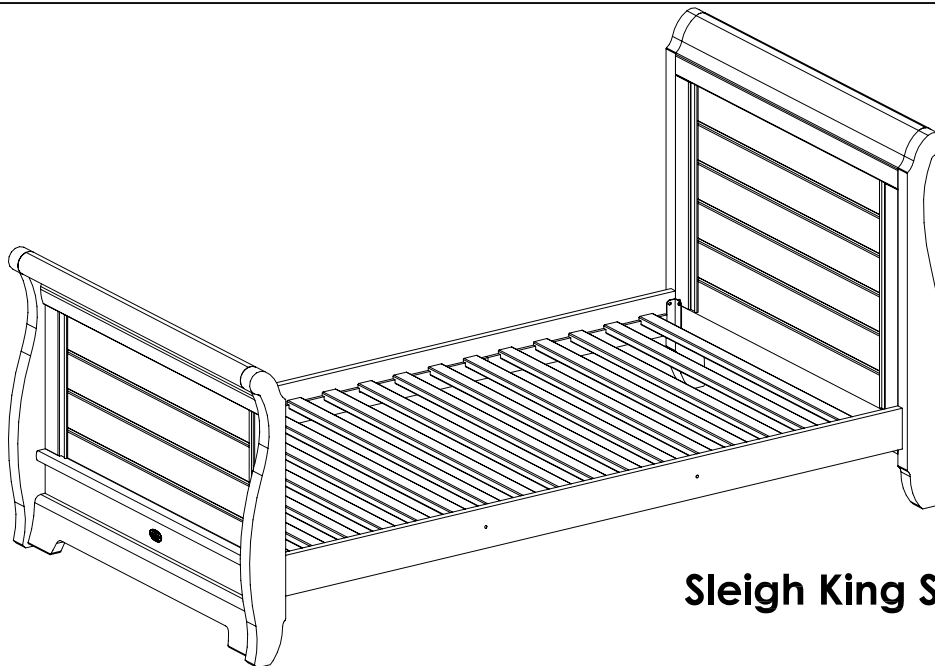
Single Bed assembly instructions

Stage 4: Attaching the support slats to base

Insert 14 X Mattress Slats into base assembly.



Tighten all connecting bolts(Do not over tighten).



Sleigh King Single Bed

Maintenance of your Boori Cot & Furniture

- * TO ENSURE THE SAFETY OF YOUR COT, BED OR CHANGE TABLE, REGULARLY CHECK ALL THE CONNECTING BOLTS AND GLIDE PINS MAKING SURE THEY ARE TIGHT, CARE SHOULD BE TAKEN THAT NO SCREWS ARE LOOSE
- * GLIDE PINS AND BOLTS SHOULD BE TIGHTENED EVERY FOUR TO SIX MONTHS TO ENSURE COT/FURNITURE REMAINS STABLE
- * TO CLEAN YOUR COT & FURNITURE USE A SOFT CLOTH DAMPENED WITH WATER
- * DO NOT USE STRONG HOUSEHOLD CLEANERS
- * AVOID CONTACT WITH SHARP OBJECTS
- * WHEN MOVING YOUR COT,BED OR FURNITURE DO NOT DRAG, ALWAYS LIFT AND PLACE IN POSITION