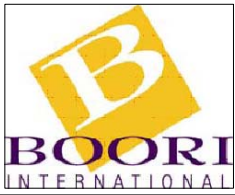


Read all instructions BEFORE assembly and USE of product. KEEP INSTRUCTIONS FOR FUTURE USE

***IMPORTANT, RETAIN FOR FUTURE REFERENCE*
PLEASE READ CAREFULLY**



Boori International

AUSTRALIA
27-37 Vallance Street
St. Marys Sydney NSW
2760 Australia

Ph: 61 2 9833 3769 Fax: 61 2 9673 4240

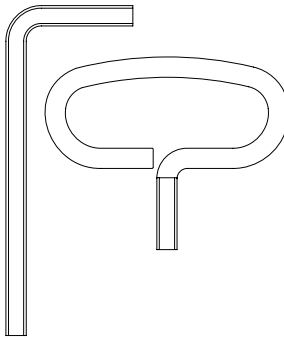
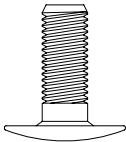
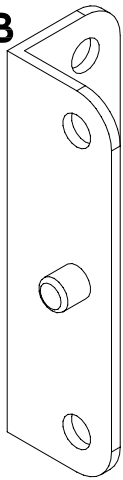
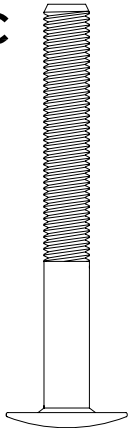
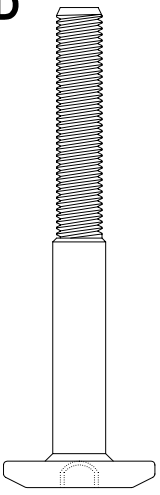
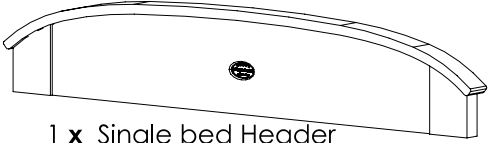
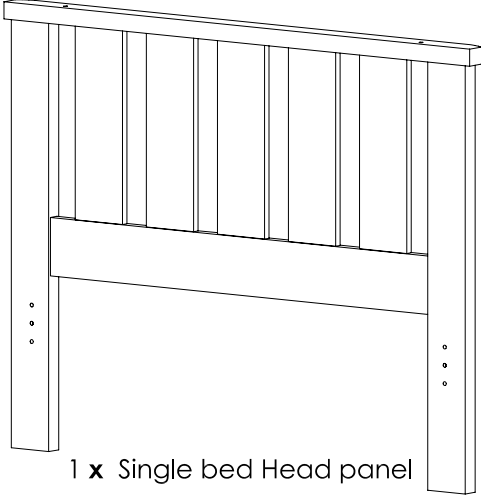
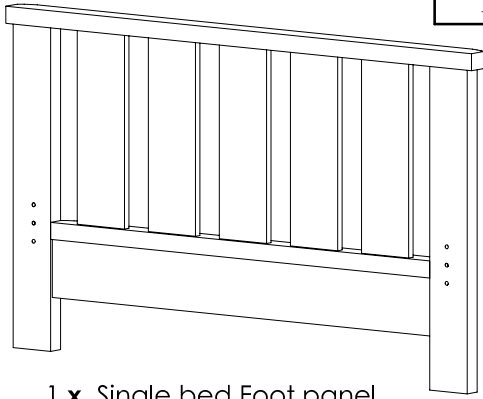
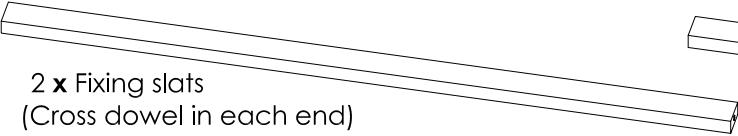

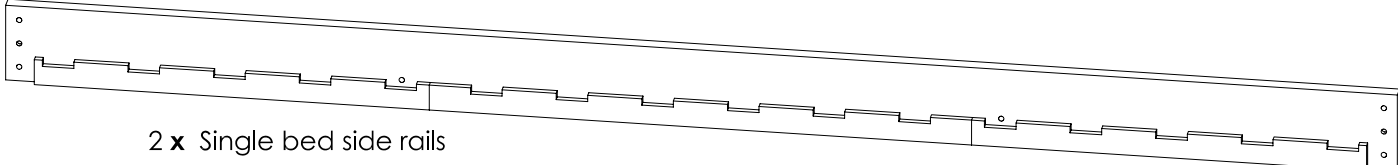
Boori UK Limited

UNITED KINGDOM
Wells house. Unit.5
Woolley Barns, Woolley
Wantage, OX12 8TA UK

Ph: 44 14 8863 9500 Fax: 44 14 8863 9505

Boori Country Madison Single Bed

Single Bed hardware and parts list

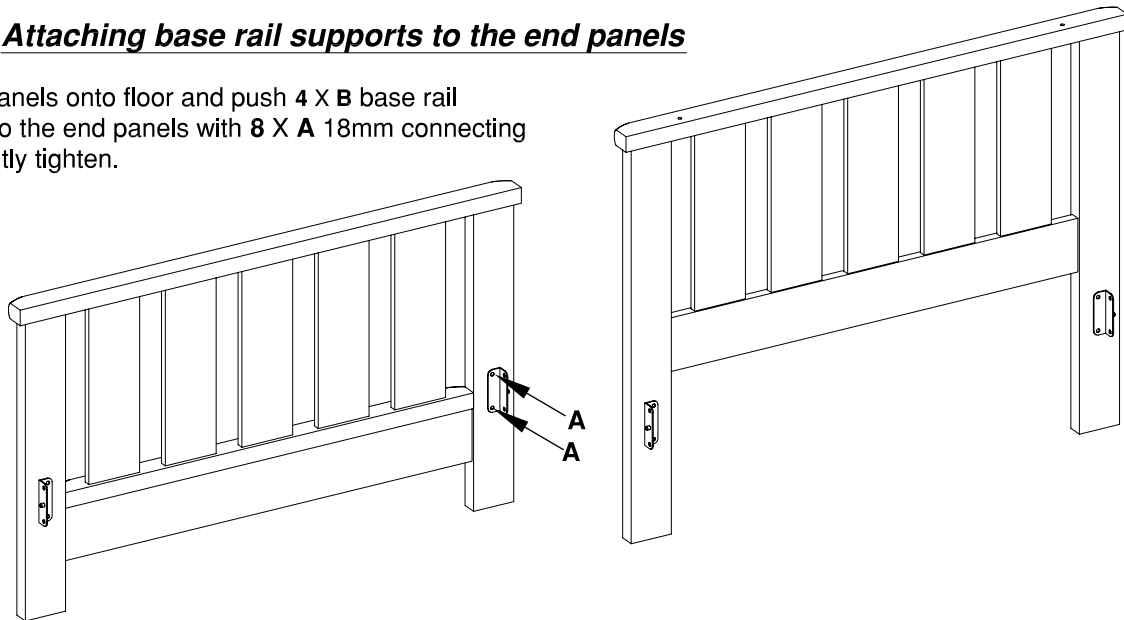
2 x Allen Keys	16 x 18mm Connecting bolts	4 x Base rail supports	4 x 54mm Connecting bolts	2 x 60mm Connecting bolts
	<p>A</p> 	<p>B</p> 	<p>C</p>  <p>Actual size</p>	<p>D</p>  <p>Actual size</p>
 <p>1 x Single bed Header</p>				
 <p>1 x Single bed Head panel</p>		 <p>1 x Single bed Foot panel</p>		
 <p>2 x Fixing slats (Cross dowel in each end)</p>		 <p>14 x Mattress Slats</p>		
 <p>2 x Single bed side rails</p>				



Single Bed assembly instructions

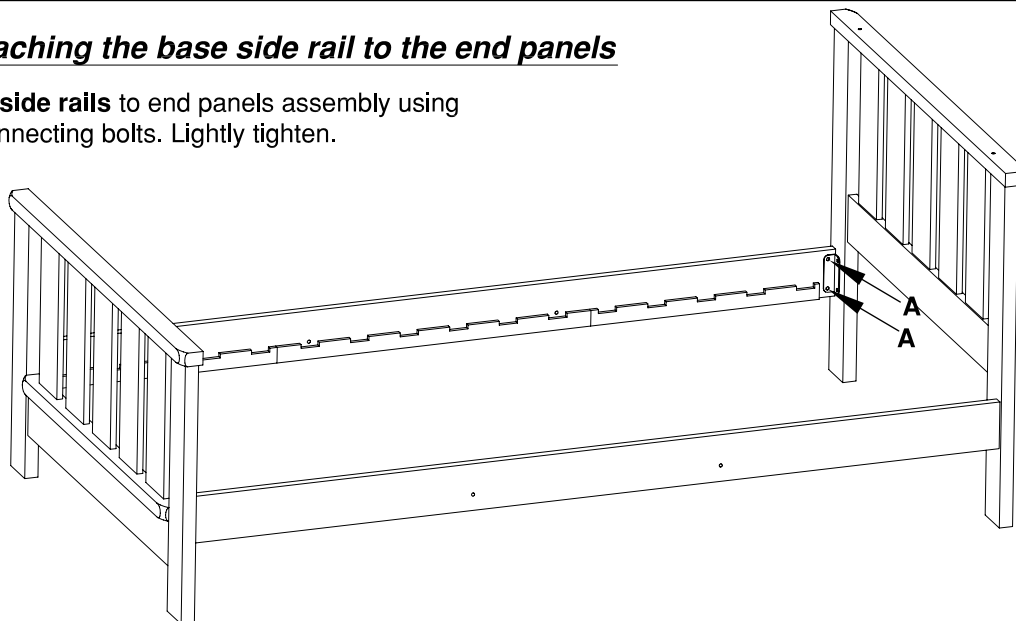
Stage 1: Attaching base rail supports to the end panels

Lay end panels onto floor and push 4 X **B** base rail supports to the end panels with 8 X **A** 18mm connecting bolts. Lightly tighten.



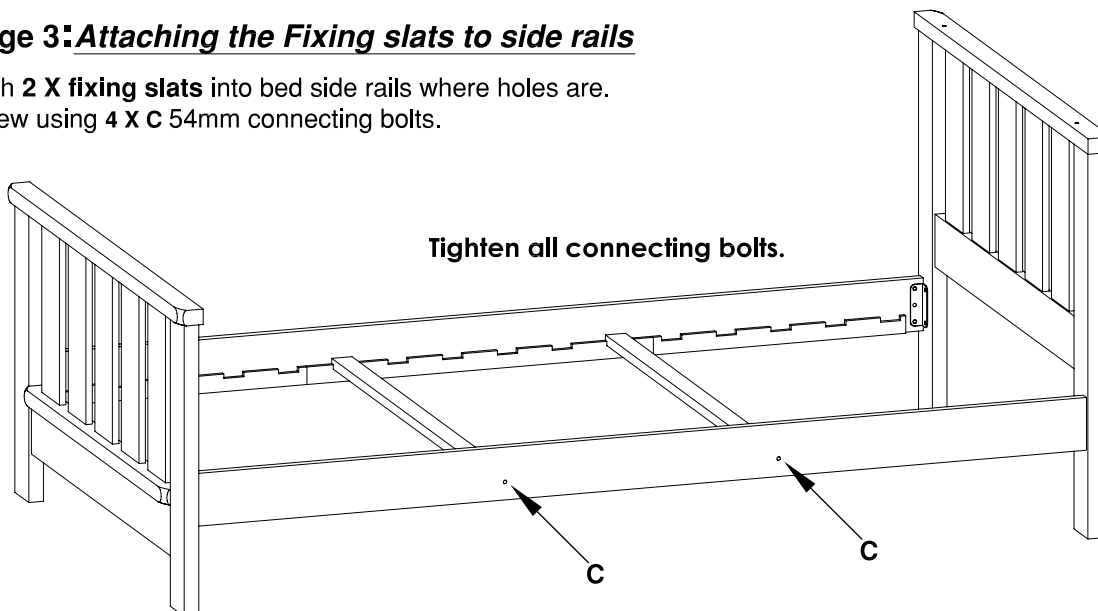
Stage 2: Attaching the base side rail to the end panels

Push 2 X **Base side rails** to end panels assembly using 8 X **A** 18mm connecting bolts. Lightly tighten.



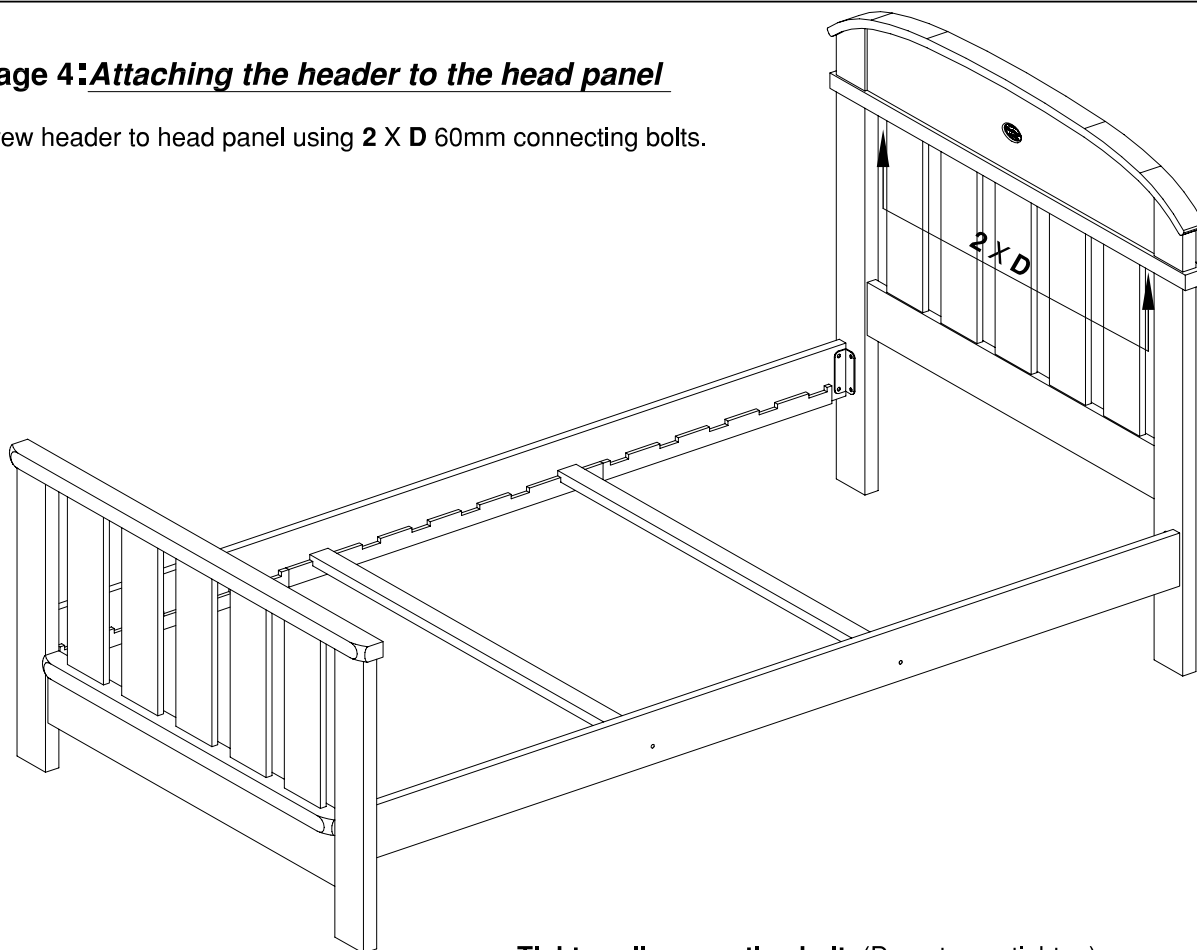
Stage 3: Attaching the Fixing slats to side rails

Push 2 X **fixing slats** into bed side rails where holes are.
Screw using 4 X **C** 54mm connecting bolts.



Stage 4: Attaching the header to the head panel

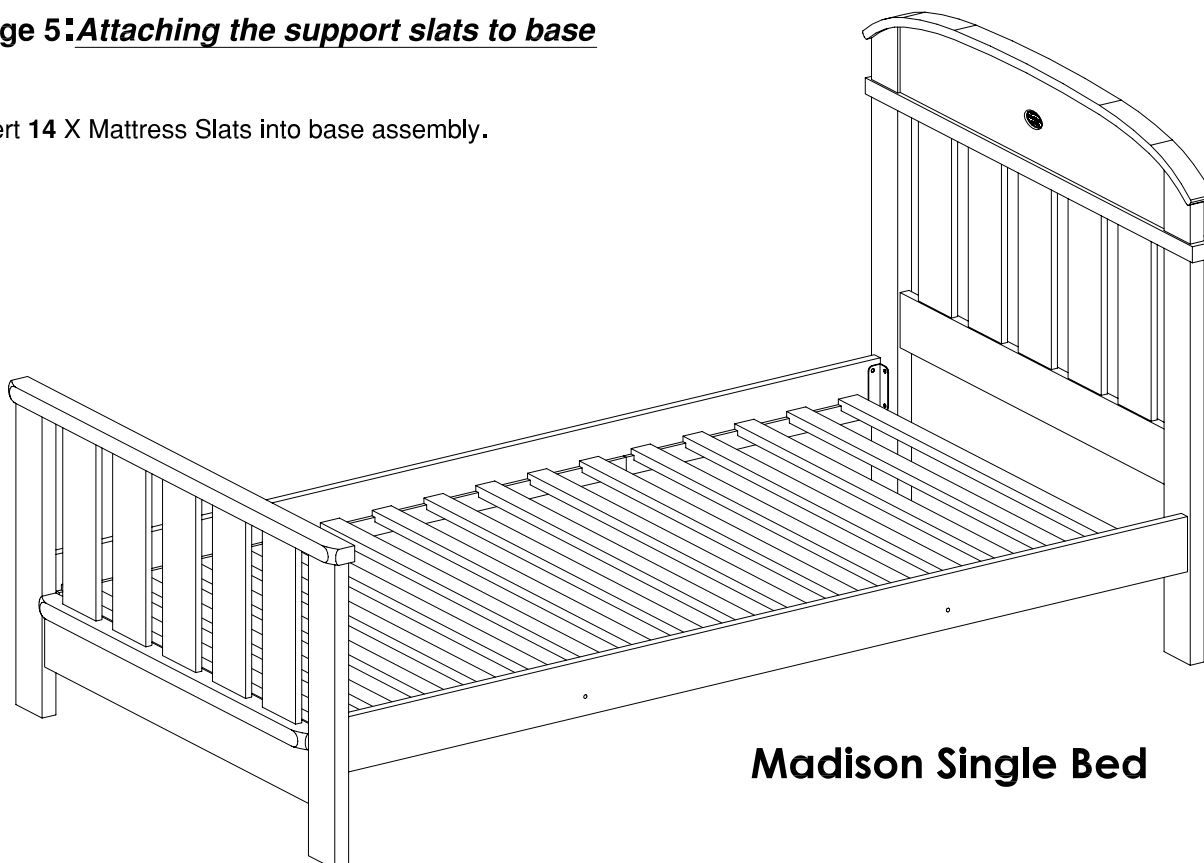
Screw header to head panel using 2 X D 60mm connecting bolts.



Tighten all connecting bolts (Do not over tighten).

Stage 5: Attaching the support slats to base

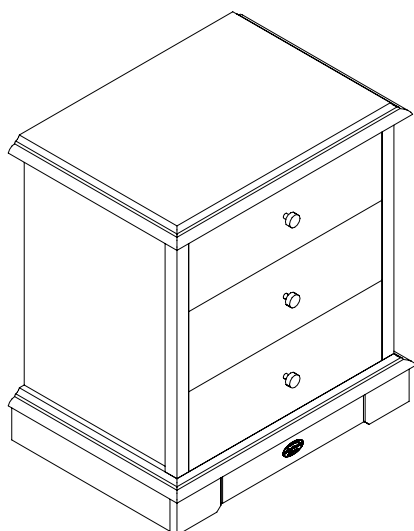
Insert 14 X Mattress Slats into base assembly.



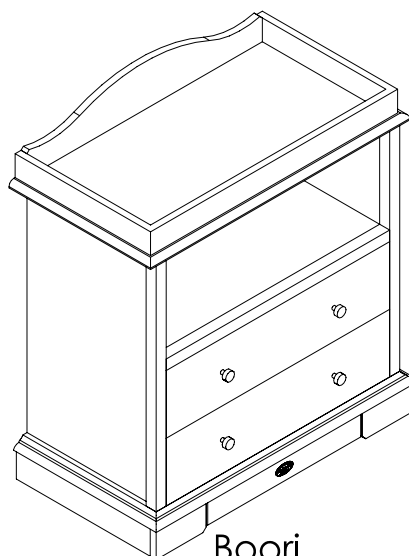
Madison Single Bed



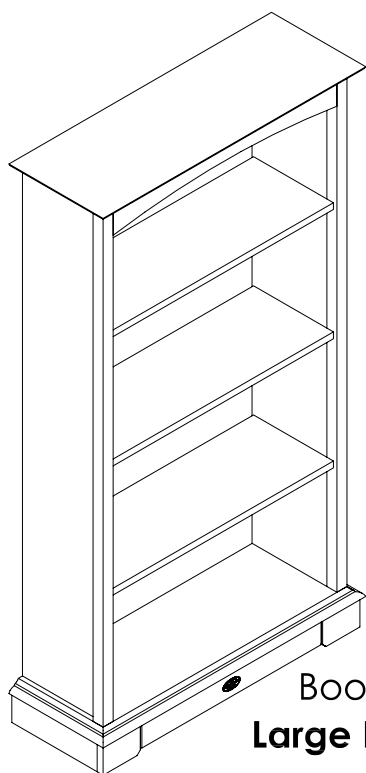
Boori Country Furniture



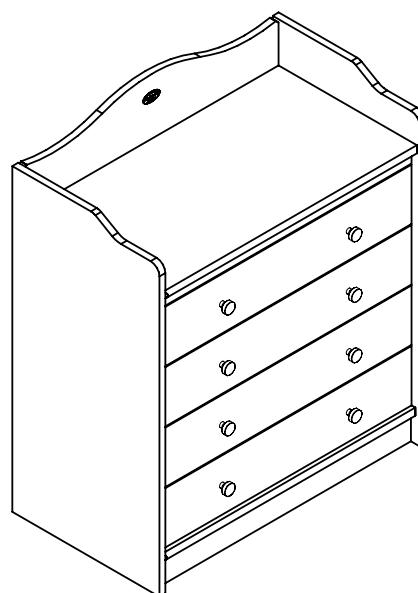
Boori
3 Drawer Bedside Table



Boori
Two Drawer Changer



Boori
Large Bookcase



Boori
Matilda Chest

Maintenance of your Boori Cot & Furniture

- * TO ENSURE THE SAFETY OF YOUR COT, BED OR CHANGE TABLE, REGULARLY CHECK ALL THE CONNECTING BOLTS AND GLIDE PINS MAKING SURE THEY ARE TIGHT, CARE SHOULD BE TAKEN THAT NO SCREWS ARE LOOSE
- * GLIDE PINS AND BOLTS SHOULD BE TIGHTENED EVERY FOUR TO SIX MONTHS TO ENSURE COT/FURNITURE REMAINS STABLE
- * TO CLEAN YOUR COT & FURNITURE USE A SOFT CLOTH DAMPENED WITH WATER
- * DO NOT USE STRONG HOUSEHOLD CLEANERS
- * AVOID CONTACT WITH SHARP OBJECTS
- * WHEN MOVING YOUR COT,BED OR FURNITURE DO NOT DRAG, ALWAYS LIFT AND PLACE IN POSITION